

Robert Bosch Power Tools GmbH
70538 Stuttgart
GERMANY

www.bosch-pt.com

1 609 92A 3N1 (2015.08) AS / 65 ASIA



1 609 92A 3N1

GAS 35 M AFC Professional

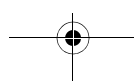


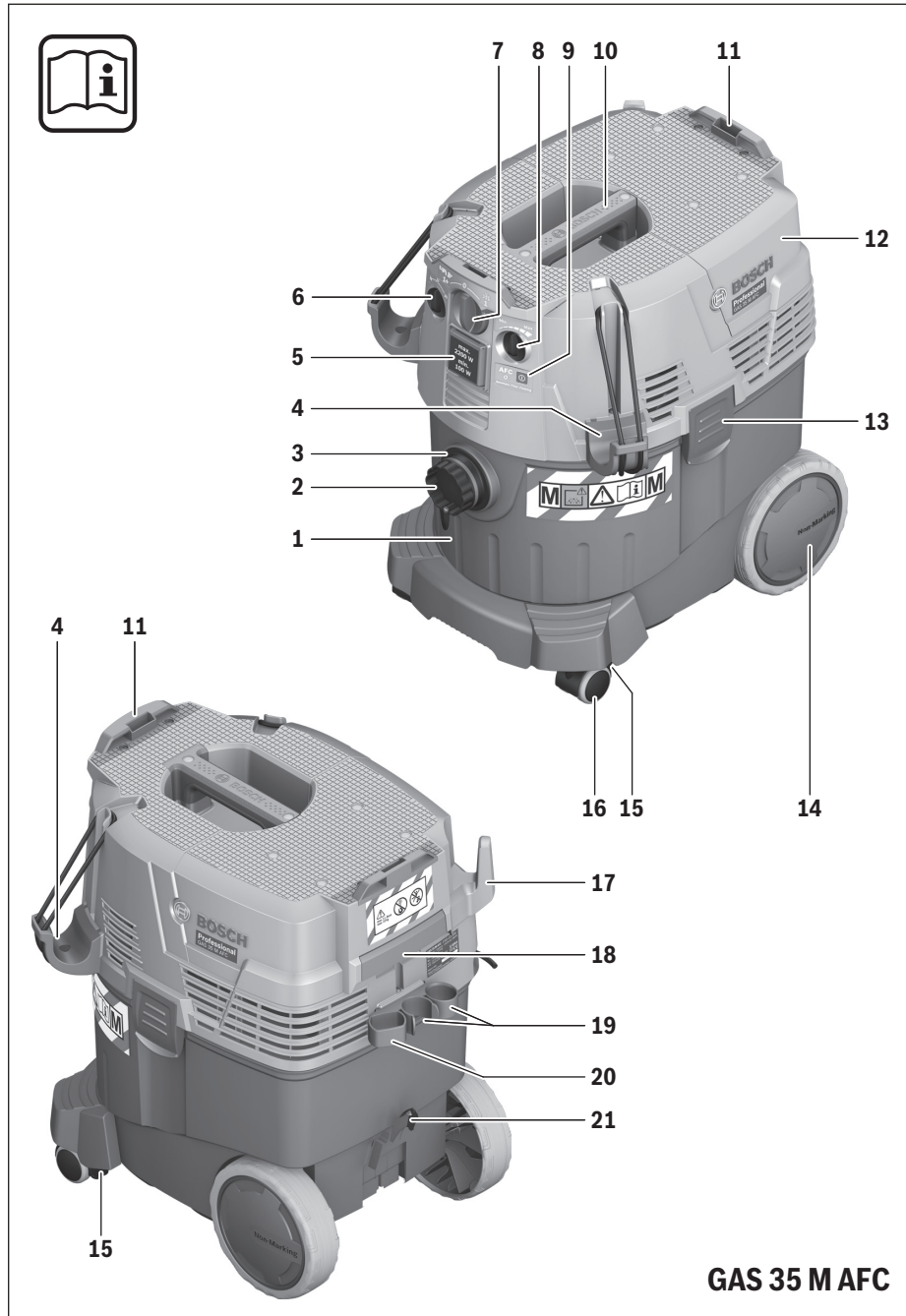
- en** Original instructions
- cn** 正本使用说明书
- tw** 原始使用說明書
- ko** 사용 설명서 원본
- th** หนังสือคู่มือการใช้งานฉบับต้นแบบ
- id** Petunjuk-Petunjuk untuk Penggunaan Orisinal
- vi** Bản gốc hướng dẫn sử dụng

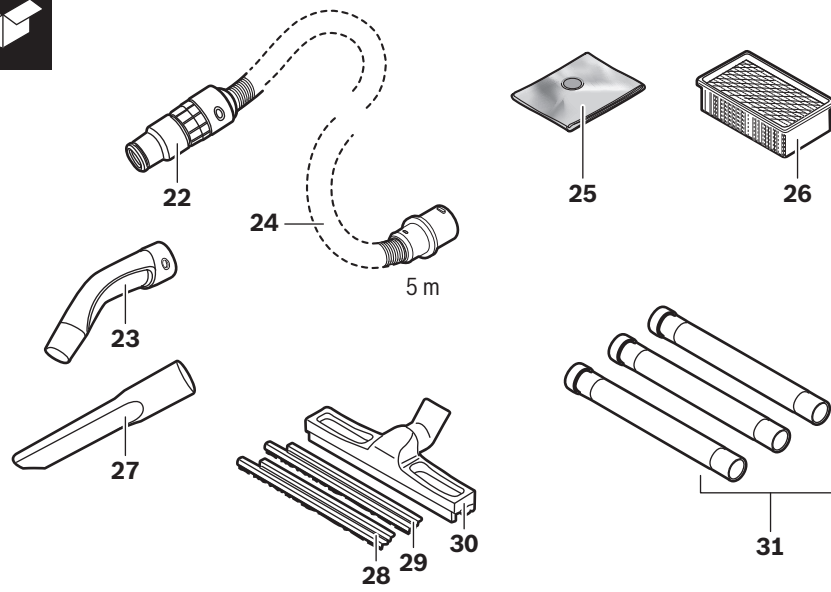
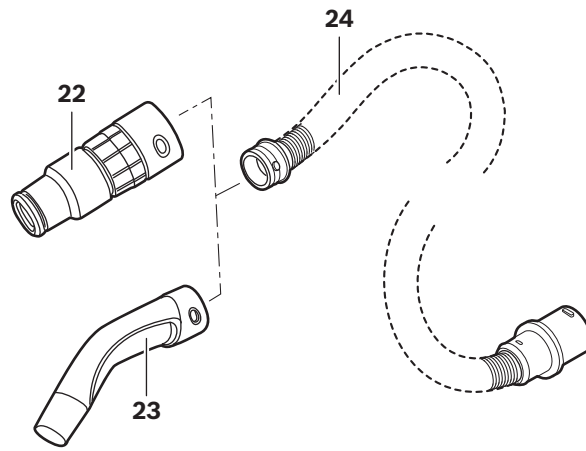


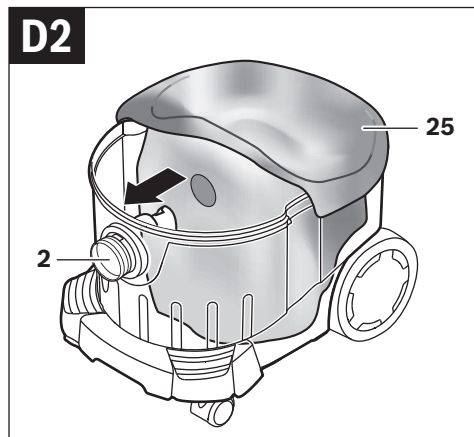
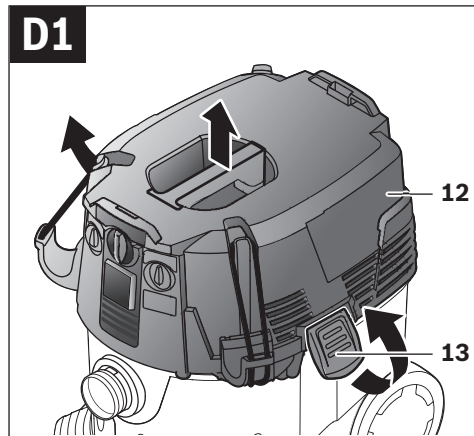
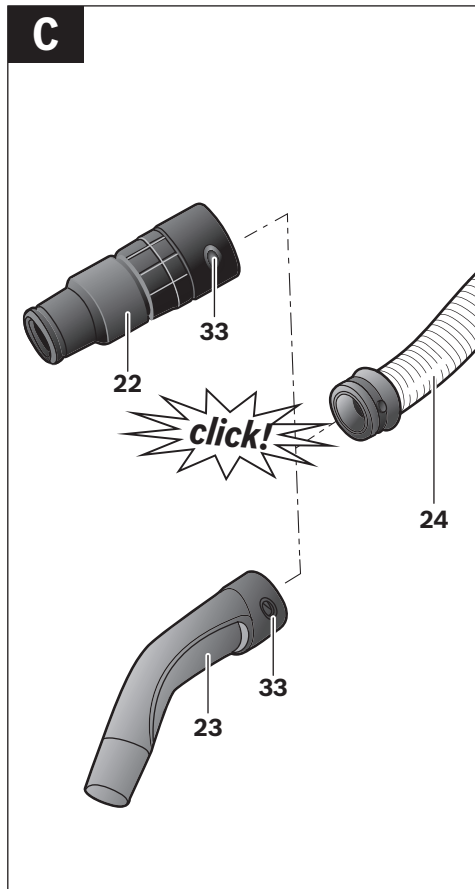
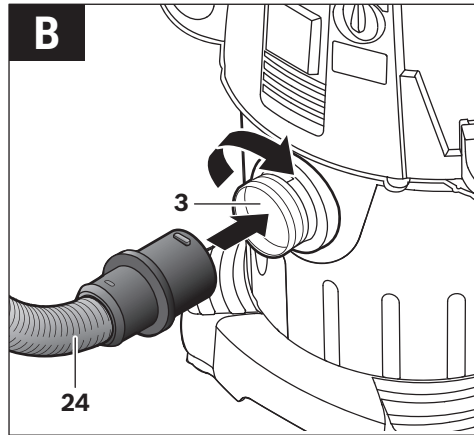
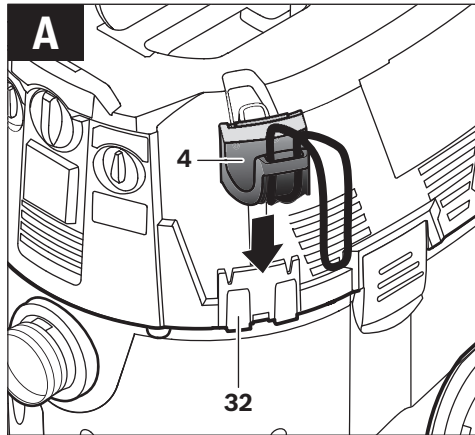


English	Page	8
中文	页	17
中文	頁	24
한국어	페이지	31
ภาษาไทย	หน้า	38
Bahasa Indonesia	Halaman	46
Tiếng Việt	Trang	54

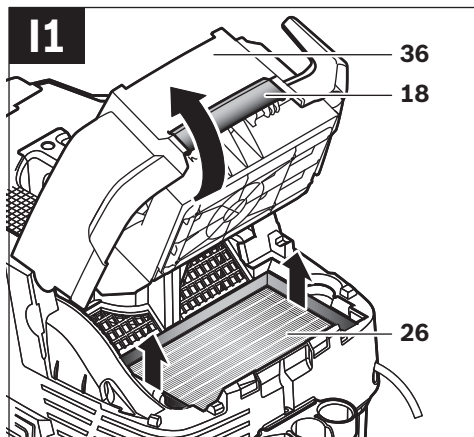
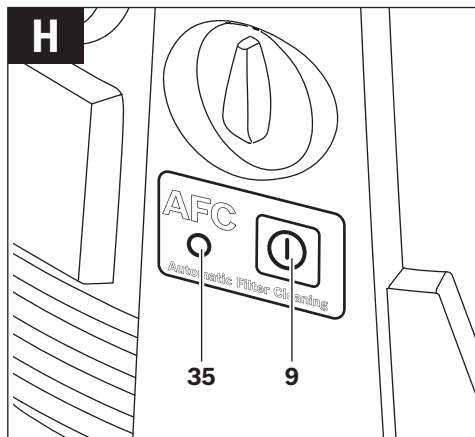
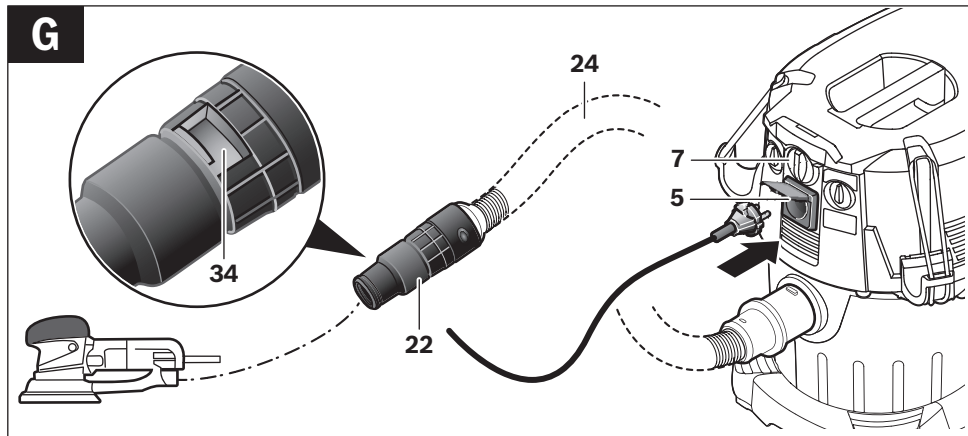
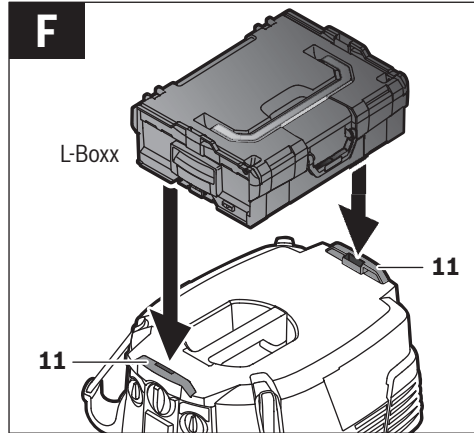
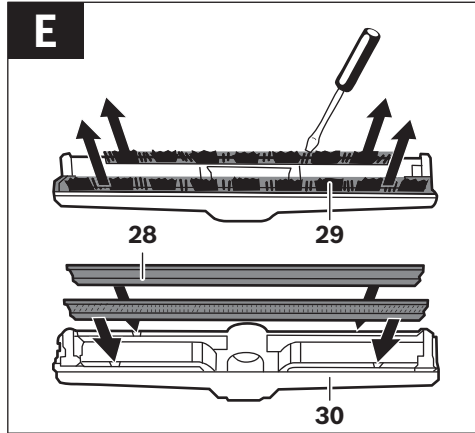


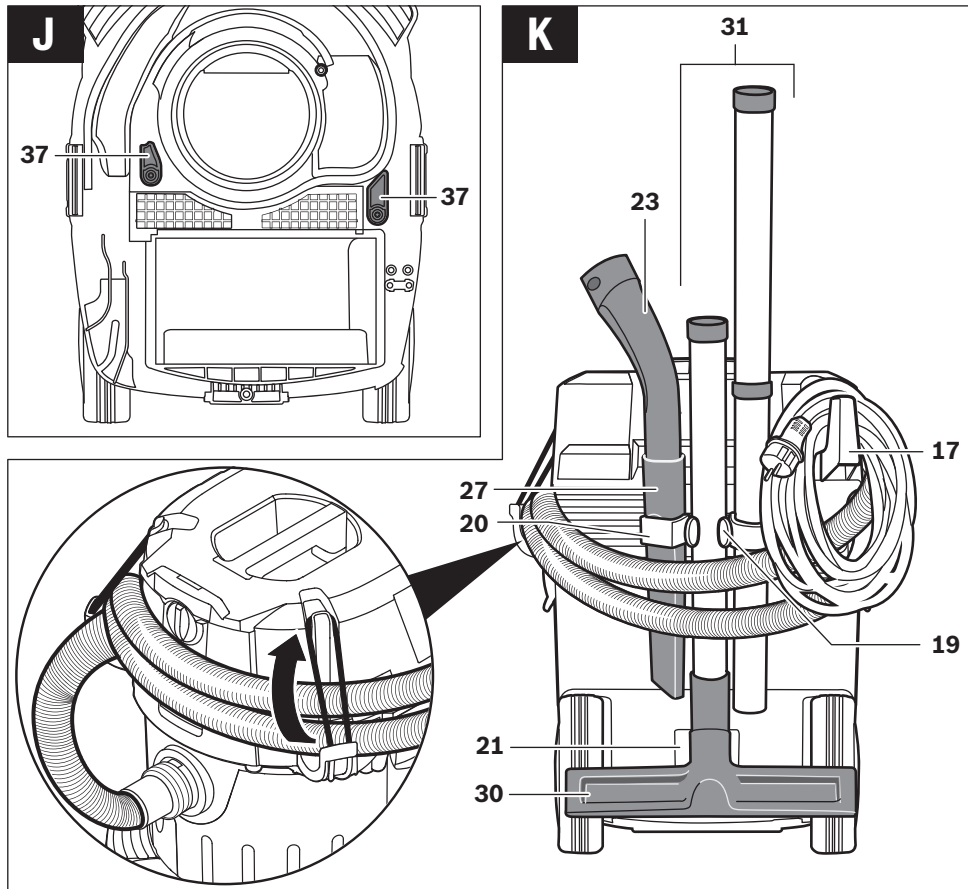
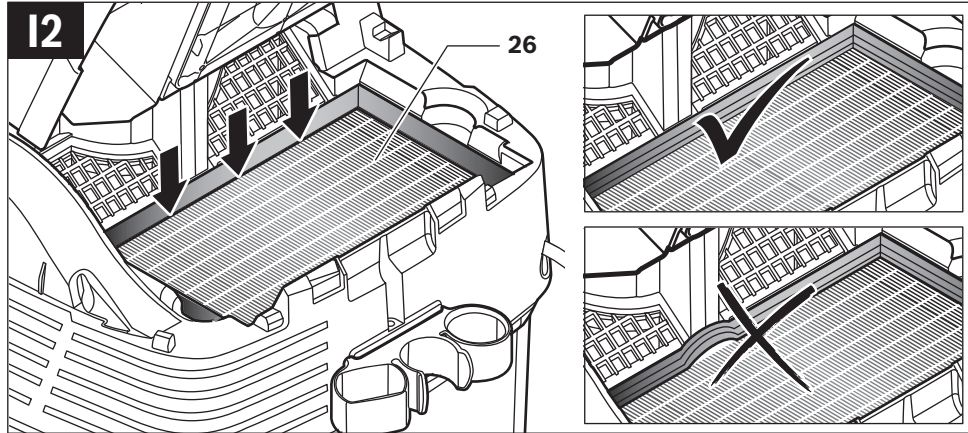






6 |





English

Safety Notes



Read all safety warnings and all instructions. Failure to follow the warnings and instructions may result in electric shock, fire and/or serious injury.

Save these instructions.

► **This vacuum cleaner is not intended for use by children and persons with reduced physical, sensory or mental capabilities, or lack of experience and knowledge.** Otherwise, there is a danger of operating errors and injuries.

► **Supervise children.** This will ensure that children do not play with the vacuum cleaner.

► **Never vacuum materials that contain asbestos.** Asbestos is considered carcinogenic.

⚠ WARNING Use the vacuum cleaner only after having received sufficient information on the usage of the vacuum cleaner, the materials to be vacuumed and their safe disposal. A thorough introduction reduces operating errors and injuries.

⚠ WARNING The vacuum cleaner is suitable for vacuuming dry materials and, by taking suitable measures, also for vacuuming liquids. The penetration of liquids increases the risk of an electric shock.

► **Do not vacuum inflammable or explosive fluids; for example, benzene, oil, alcohol, solvents. Do not vacuum hot or burning dust. Do not operate the machine in rooms where the danger of an explosion exists.** The dusts, vapours or fluids can ignite or explode.

⚠ WARNING Use the socket only for the purposes specified in the operating instructions.

⚠ WARNING Switch the vacuum cleaner off immediately as soon as foam or water comes out, and empty the container. Otherwise, the vacuum cleaner can become damaged.

⚠ IMPORTANT The vacuum cleaner may only be stored indoors.

⚠ IMPORTANT Clean the filling-level sensors for liquids at regular intervals, and check them for damage. Otherwise, their function can be impaired.

► **When operating the vacuum cleaner in damp environments, use a residual current device (RCD).** Using a residual current device (RCD) reduces the risk of an electric shock.

► **Connect the vacuum cleaner to a properly earthed mains supply.** The socket outlet and the extension cable must have an operative protective conductor.

► **Before each use, check the vacuum cleaner, cable and plug. Do not use the vacuum cleaner when defects are detected. Do not open the vacuum cleaner yourself and have it repaired only by qualified personnel using original spare parts.** Damaged vacuum cleaner, cables and plugs increase the risk of an electric shock.

► **Do not drive over, crush or stretch the cable. Do not pull the cable to unplug the plug from the socket outlet or to move the vacuum cleaner.** Damaged cables increase the risk of an electric shock.

► **Before maintaining or cleaning the vacuum cleaner, making any adjustments, changing accessories or placing the vacuum cleaner aside, remove the plug from the socket outlet.** This safety measure prevents accidental starting of the vacuum cleaner.

► **Provide for good ventilation at the working place.**

► **Have the vacuum cleaner repaired only through qualified specialists and only using original spare parts.** This ensures that the safety of your vacuum cleaner is maintained.

⚠ WARNING The vacuum cleaner contains materials that are hazardous to one's health.

Have the emptying and maintenance, incl. the disposal of dust-collection containers, carried out only by specialists. Appropriate protective equipment is required. Do not operate the vacuum cleaner without the complete filter system. Otherwise there is danger to your own health.

► **Before restarting, check the proper condition of the vacuum hose. When doing this, leave the vacuum hose mounted to the vacuum cleaner to prevent dust from coming out.** Otherwise, you could possibly inhale dust.

► **Do not use the vacuum cleaner as a seat.** The vacuum cleaner could become damaged.

► **Use the mains cable and the vacuum hose carefully.** Other persons could be harmed.

► **Do not clean the vacuum cleaner with a water jet pointed directly at it.** The penetration of water into the vacuum cleaner lid increases the risk of an electric shock.

► **Products sold in GB only:** Your product is fitted with a BS 1363/A approved electric plug with internal fuse (ASTA approved to BS 1362).

If the plug is not suitable for your socket outlets, it should be cut off and an appropriate plug fitted in its place by an authorised customer service agent. The replacement plug should have the same fuse rating as the original plug. The severed plug must be disposed of to avoid a possible shock hazard and should never be inserted into a mains socket elsewhere.

Products sold in AUS and NZ only: Use a residual current device (RCD) with a rated residual current of 30 mA or less.

Symbols

The following symbols could have a meaning for the use of your vacuum cleaner. Please take note of the symbols and their meaning. The correct interpretation of the symbols will help you to use the vacuum cleaner in a better and safer manner.

Symbols and their meaning



CAUTION Read all safety warnings and all instructions. Failure to follow the warnings and instructions may result in electric shock, fire and/or serious injury.



Vacuum cleaners of dust category M according to IEC/EN 60335-2-69 for **dry vacuuming** of materials with an exposition limit value $\geq 0.1 \text{ mg/m}^3$ that are hazardous to one's health



WARNING The vacuum cleaner contains materials that are hazardous to one's health. Have the emptying and maintenance, incl. the disposal of dust-collection containers, carried out only by specialists. Appropriate protective equipment is required. Do not operate the vacuum cleaner without the complete filter system. Otherwise there is danger to your own health.



Automatic Start/Stop feature
Extraction of dusts resulting from running power tools
The vacuum cleaner automatically switches on and off with a time delay

Switching Off

Vacuuming
Vacuuming of deposited dusts



Symbols and their meaning

15	Airflow monitoring for a 15 mm hose diameter
22	Airflow monitoring for a 22 mm hose diameter
35	Airflow monitoring for a 35 mm hose diameter



Min/Max Infinitely variable control of the vacuuming power:
 - Maximum vacuum capacity for applications with intense dust development
 - Reduced vacuum capacity for applications with low dust development and for control of the vacuuming power between connected power tool and workpiece surface (e. g. when sanding)

max. 2200 W
min. 100 W

Specification of the allowable load of the connected power tool (country-specific)



AFC Automatic filter cleaning (AFC = Automatic Filter Cleaning)



Attach only one L-Boxx (max.).
The weight of the L-Boxx with contents must not exceed 15 kg.

Do not hang the vacuum cleaner, e. g. for transport purposes, to a crane hook. The vacuum cleaner is not suitable for handling by crane. Danger of injury and causing damage.

10 | English

Symbols and their meaning



► **Do not use the vacuum cleaner as a seat, ladder or stepladder.** The vacuum cleaner can tip over and become damaged. Danger of injury.

Product Description and Specifications

While reading the operating instructions, unfold the graphics page for the vacuum cleaner and leave it open.

Intended Use

The machine is intended for collection, vacuuming, conveying and separation of wood chips, as well as non-flammable dry dusts, non-flammable liquids and water-air mixtures. The vacuum cleaner is dust-technically checked and corresponds with dust category M. It is suitable for the increased demands of industrial usage, as required in trades, industry and workshops.

According to IEC/EN 60335-2-69, vacuum cleaners of dust category M may only be used for vacuuming and extraction of hazardous materials with an exposition limit value $\geq 0.1 \text{ mg/m}^3$.

Use the vacuum cleaner only when you fully understand and can perform all functions without limitation, or have received appropriate instructions.

Product Features

The numbering of the product features refers to the illustration of the vacuum cleaner on the graphics page.

- 1 Container
- 2 Plug cap for the vacuum hose connection
- 3 Hose connection piece
- 4 Vacuum-hose holder
- 5 Socket for power tool
- 6 Airflow regulator
- 7 Mode selector switch
- 8 Control knob for vacuum capacity (not for article number 3 601 JC3 170)
- 9 AFC button
- 10 Carrying handle
- 11 L-Boxx retainer
- 12 Vacuum lid
- 13 Latch of the vacuum cover
- 14 Rear wheel
- 15 Castor brake
- 16 Castor
- 17 Cable holder
- 18 Locking latch of filter cover
- 19 Holder for vacuum tubes
- 20 Holder for crevice nozzle/elbow
- 21 Holder for floor nozzle
- 22 Tool sleeve
- 23 Elbow

- 24 Vacuum hose
- 25 Disposal bag
- 26 Flat-fold filter (PES)
- 27 Crevice nozzle
- 28 Rubber lip
- 29 Brush insert
- 30 Floor nozzle
- 31 Vacuum tube
- 32 Retainer for vacuum-hose holder
- 33 Snap-fastener
- 34 Air diffuser
- 35 Signalling LED
- 36 Filter cover
- 37 Level sensors

Accessories shown or described are not part of the standard delivery scope of the product. A complete overview of accessories can be found in our accessories program.

Technical Data

Wet/dry vacuum cleaner	GAS 35 M AFC		
Article number		... 1..	... 170
3 601 JC3 ...			
Rated voltage	V	220 – 240**	110
Rated power input	W	1200	1000
Frequency	Hz	50/60	50/60
Container volume (gross)	l	35	35
Net volume (for fluids)	l	19	19
Dust bag contents	l	19	19
Max. vacuum*			
– Vacuum cleaner	hPa	230	211
– Turbine	hPa	254	242
Max. flow rate*			
– Vacuum cleaner	l/s	36	31
	m ³ /s	0.036	0.031
– Turbine	l/s	74	71
	m ³ /s	0.074	0.071
Max. vacuum capacity	W	1380	1150
Surface of flat-fold filter	m ²	0.615	0.615
Dust category		M	M
Weight according to EPTA-Procedure 01:2014	kg	12.4	12.4
Protection class		⊕/I	⊕/I
Degree of protection		IP X4	IP X4

*Measured with a \varnothing 35 mm and 5 m long vacuum hose

**The values given are valid for nominal voltages [U] of 230 V. For lower voltage and models for specific countries, these values can vary.

Automatic Start/Stop feature*

	Rated voltage	max. power output	min. power output
EU	220 – 240 V	2200 W	100 W

* Specification of the allowable load of the connected power tool (country-specific)

Automatic Start/Stop feature*			
	Rated voltage	max. power output	min. power output
UK	110 V	750 W	100 W

* Specification of the allowable load of the connected power tool (country-specific)

Assembly

- ▶ Before any work on the vacuum cleaner itself, pull the mains plug.

Mounting the Vacuum-hose Holder (see figure A)

- Slide the vacuum-hose holders 4 firmly from above into the retainers 32 intended for this purpose, until they engage.

Mounting the Vacuum Hose (see figure B)

- Mount the vacuum hose 24 onto the hose connection piece 3 and turn it in clockwise direction to the stop.

Note: While vacuuming, an electrostatic charge develops in the vacuum hose and accessories caused by the friction of the dust, which the operator could experience in the form of static discharging (dependent on environmental influences and physical perception).

As a general rule, Bosch recommends using an anti-static vacuum hose (accessory) when vacuuming fine dusts and dry materials.

Mounting VAC Accessories (see figure C)

The vacuum hose 24 is equipped with a clip system, with which the VAC accessories (tool sleeve 22, elbow 23) can be connected.

Mounting the Tool Sleeve

- Mount the tool sleeve 22 onto the vacuum hose 24 until both snap-fasteners 33 of the vacuum hose can be heard to engage.
- To disassemble, press both snap-fasteners 33 inward and pull the components apart.

Mounting Nozzles and Tubes

- Mount the elbow 23 onto the vacuum hose 24 until both snap-fasteners 33 of the vacuum hose can be heard to engage.
- Afterwards, mount the desired VAC accessory (floor nozzle, crevice nozzle, vacuum tube, etc.) firmly onto the elbow 23.
- To disassemble, press both snap-fasteners 33 inward and pull the components apart.

Inserting/Removing a Disposal Bag or Dust Bag (Dry Vacuuming) (see figures D1 – D2)

For dry vacuuming of materials according to dust category M, a disposal bag 25 or a dust bag **must** be inserted.

When vacuuming materials with or without an exposition limit value $\geq 1 \text{ mg/m}^3$ (according to dust category L), it is possible to vacuum directly into the container.

Note: When using a paper filter bag, the automatic filter cleaning (AFC) (see "Deactivating the AFC", page 13) **must**, and when using a fleece filter bag, **should** be shut off.

⚠ WARNING The vacuum cleaner contains materials that are hazardous to one's health.

Have the emptying and maintenance, incl. the disposal of dust-collection containers, carried out only by specialists. Appropriate protective equipment is required. Do not operate the vacuum cleaner without the complete filter system. Otherwise there is danger to your own health.

Inserting a Disposal Bag

- Unlock the latches 13 and remove the vacuum lid 12.
- Insert the disposal bag 25 into the container 1 with the filling opening toward the front.
- Pull the filling opening over the connection flange into the recess of the connection flange.
- Make sure that the disposal bag 25 faces completely against the interior sides of the container 1.
- Fold the rest of the disposal bag 25 over the edge of the container 1.
- Reattach the vacuum lid 12 again and lock the latches 13.

Removing and Closing the Disposal Bag

- Unlock the latches 13 and remove the vacuum lid 12.
 - Pull the full disposal bag 25 toward the rear off of the connection flange.
 - Carefully remove the disposal bag 25 out of the vacuum cleaner without damaging it.
- When doing this, pay attention that the disposal bag does not get caught or ripped open against the connection flange or other sharp objects.
- Pull the cover off of the adhesive strip, close the disposal bag and tape it shut.
 - Afterwards, tie off the disposal bag 25 below the filling opening with the pulled off cover of the adhesive strip.

Replacing/Inserting the Dust Bag (Accessory)

- Unlock the latches 13 and remove the vacuum lid 12.
- Pull off the full dust bag from the connection flange toward the rear. Close the opening of the dust bag by folding down the lid. Remove the closed dust bag from the vacuum cleaner.
- Work the new dust bag over the connection flange of the vacuum cleaner. Make sure that the dust bag faces completely against the interior sides of the container 1 over its full length.
- Reattach the vacuum lid 12 again and lock the latches 13.

Inserting the Rubber Lip (Wet Vacuuming) (see figure E)

Note: The requirements for the ingress degree (dust category M) have only been proven for dry vacuuming.

- Carefully pry the brush inserts 29 out of the floor nozzle 30 using a suitable tool.
- Insert the rubber lips 28 into the floor nozzle 30.

Note: The structured side of the rubber lips must face outward.

12 | English

Attaching an L-Boxx (see figure F)

For transport of the vacuum cleaner and for place-saving storage of VAC accessories and/or power tools, an L-Boxx can be mounted on the vacuum cleaner lid.

- Mount the L-Boxx onto the retainers **11**.
- ▶ **Do not carry the vacuum cleaner by the carrying handle of the mounted L-Boxx.** The vacuum cleaner is too heavy for the carrying handle of the L-Boxx. Danger of injury and causing damage.

Operation**Starting Operation**

- ▶ **Observe correct mains voltage! The voltage of the power source must agree with the voltage specified on the nameplate of the vacuum cleaner. Equipment marked with 230 V can also be operated with 220 V.**
- ▶ **Please inform yourself about the valid regulations/laws for your country concerning the handling of materials that are hazardous to one's health.**

The vacuum cleaner is suitable for vacuuming and extracting the following materials:


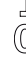
- Dusts with an exposition limit value $\geq 0.1 \text{ mg/m}^3$

The vacuum cleaner may generally not be used in rooms where the danger of an explosion exists.

To save energy, only switch the vacuum cleaner on when using it.

To ensure optimal vacuuming performance, always completely unwind the vacuum hose **24** from the vacuum cleaner lid **12**.

Dry Vacuuming**Vacuuming of deposited dusts**

- Set the airflow regulator **6** to the hose diameter being used.
- To switch the vacuum cleaner **on**, set the mode selector switch **7** to the "vacuuming" symbol. 
- To switch the vacuum cleaner **off**, set the mode selector switch **7** to the "Off" symbol. 

The vacuum cleaner is fitted with airflow monitoring. In the "vacuuming" mode, the airflow monitoring is fixed on a value of 20 m/s, irrespective of the setting of the airflow regulator **6**.

If the value falls below this, e.g. due to accumulated dirt in the suction hose, a full dust bag or a clogged flat-fold filter, an audible alarm signal will sound. In this case, switch off the vacuum cleaner and check it as stated in the section "Correction of Malfunctions".



Extraction of dusts resulting from running power tools (see figure G)

- ▶ **An adequate ventilation rate (L) must be provided for when the outgoing air is circulated. Observe the respective national regulations.**

A socket outlet with earthing contact **5** is integrated in the vacuum cleaner. An external power tool can be connected there. Observe the maximal allowable load of the connected power tool.

To ensure sufficient dust transport at the vacuum location, the minimum airflow for the power tool connected must not be fallen below.

Hose Diameter	Airflow Setting Value
35 mm	57.9 m ³ /h
22 mm	41.2 m ³ /h
15 mm	12.7 m ³ /h

- Set the airflow regulator **6** to the hose diameter being used.
- Mount the tool sleeve **22** (see "Mounting the Tool Sleeve", page 11).
- Insert the tool sleeve **22** into the vacuum connection of the power tool.
- To start the vacuum cleaner's **automatic Start/Stop feature**, set the mode selector switch **7** to the "Automatic Start/Stop" symbol. 
- In this operating mode, the airflow is electronically monitored according to the setting of the airflow regulator **6**. Sufficient dust transport is ensured when the setting is correctly selected.
- To **start the operation** of the vac, switch on the power tool connected to the socket **5**. The vacuum cleaner starts automatically.
- Switch the power tool off to **end the vacuuming**. The delayed action shutdown of the Automatic Start/Stop continues to run for up to 15 seconds in order to extract residual dust from the vacuum hose.
- To switch the vacuum cleaner **off**, set the mode selector switch **7** to the "Off" symbol. 

When the alarm sounds, the vacuum cleaner must be checked as described under "Correction of Malfunctions".

Wet Vacuuming

- ▶ **Do not vacuum inflammable or explosive fluids; for example, benzene, oil, alcohol, solvents. Do not vacuum hot or burning dust. Do not operate the machine in rooms where the danger of an explosion exists.** The dusts, vapours or fluids can ignite or explode.
- ▶ **The vacuum cleaner may not be used as a water pump.** The vacuum cleaner is intended for vacuuming air and water mixtures.
- ▶ **Before any work on the vacuum cleaner itself, pull the mains plug.**

Note: The requirements for the ingress degree (dust category M) have only been proven for dry vacuuming.

- Remove the disposal bag **25** or the dust bag and empty the container **1** before wet vacuuming.

Note: For easier disposal when vacuuming liquid-solid mixtures, use a wet filter bag (accessory), which separates liquids from solids.

- Mount the rubber lips into the floor nozzle (see “Inserting the Rubber Lip”, page 11).
- Switch the automatic filter cleaning (AFC) off (see “Deactivating the AFC”, page 13).

The vacuum cleaner is equipped with filling-level sensors **37**. When the maximum filling height is reached, the vacuum cleaner switches off. Set the mode selector switch **7** to the “off” symbol.

Note: When vacuuming non-conductive liquids (e. g. drilling emulsion, oil and grease), the vacuum cleaner is not switched off when the container is full. The level must be monitored continuously and the container emptied in time.

When the alarm sounds while wet vacuuming, the operational safety of the VAC is not impaired. No measures are required to correct the malfunction.

- For transport of the vacuum cleaner, screw the plug cap **2** onto the hose connection piece **3**.

To prevent the formation of mould after wet vacuuming:

- Take out the flat-fold filter **26** and allow it to dry well.
- Remove the vacuum cleaner lid **12** open the filter cover **36** and allow both components to dry thoroughly.

Filter Cleaning

Automatic filter cleaning (see figure H)

In automatic filter cleaning mode (AFC = Automatic Filter Cleaning), the flat-fold filter **26** is cleaned every 15 seconds by means of air blasts (pulsating noise).

The filter cleaning system must be actuated at the latest when the vacuuming performance is no longer sufficient.

Regular use of the filter cleaning feature increases the tool life of the filter.

To achieve ideal filter tool life, deactivate the automatic filter cleaning in exceptional cases, e. g., when vacuuming pure liquids or when working with a paper filter bag.

A flat-fold filter contaminated only on the surface is fully functional. Manual cleaning of the flat-fold filter by striking/tapping against it or blowing it out is not necessary, and can even damage the filter.

Note: The automatic filter cleaning is factory-set. Switching the automatic filter cleaning on/off is only possible, when the VAC is running.

- **Deactivating the AFC**
Actuate the AFC button **9**.
The signalling LED **35** goes out.
- **Activating the AFC**
Actuate the AFC button **9**.
The signalling LED **35** lights up green.

Maintenance and Service

Maintenance and Cleaning

- ▶ **Before any work on the vacuum cleaner itself, pull the mains plug.**
- ▶ **For safe and proper working, always keep the vacuum cleaner and ventilation slots clean.**
- ▶ **Wear a dust protection mask when maintaining and cleaning the vacuum cleaner.**

If the replacement of the supply cord is necessary, this has to be done by Bosch or an authorized Bosch service agent in order to avoid a safety hazard.

A dust-technical inspection is to be carried out at least once every year by the manufacturer or an instructed person, e. g. for damage of the filter, tightness against leakage of the vacuum cleaner and function of the control/monitoring unit.

For category **M** vacuum cleaners that were in contaminated environments, the exterior as well as all machine parts should be cleaned or treated with sealants. When performing maintenance and repair work, all contaminated components that cannot be cleaned to satisfactory must be disposed of. Such components must be disposed of in impermeable plastic bags conforming with the valid regulations for the disposal of such waste.

For maintenance on behalf of the user, the vacuum cleaner must be disassembled, cleaned and maintained as far as feasible, without causing a risk for the maintenance personnel or other persons. Prior to disassembly, the vacuum cleaner should be cleaned in order to prevent any risks. The room/enclosure in which the vacuum cleaner is disassembled should be well ventilated. Wear personal protective equipment during maintenance. After the maintenance, the maintenance area should be cleaned.

Removing/Replacing the Flat-fold Filter (see figures I1 – I2)

- Replace a damaged flat-fold filter **26** immediately.
- Pull the locking latch **18** and open the filter cover **36**.
- Grasp the flat-fold filter **26** by the fins, pull up and remove.
- When taking out the flat-fold filter **26**, remove any accumulating dust and debris from the closing edge of the filter cover **36** using a moist cloth.
PES and PTFE flat-fold filters can be flushed out under running water.
- Insert a new or the cleaned flat-fold filter **26**; observe proper and tight seating.
- Shut the filter cover **36** again (must be heard to engage).

Container

Wipe out the container **1** from time to time with a commercially available, non-scouring cleaning agent and allow to dry.

Level Sensors (see figure J)

- Clean the level sensors **37** occasionally.
- Unlock the latches **13** and remove the vacuum lid **12**.
- Clean the level sensors **37** with a soft cloth.
- Reattach the vacuum lid **12** again and lock the latches **13**.

14 | English

Storage and Transport (see figure K)

- Wind the mains cable around the cable holder **17**.
- Insert the accessories into the holders provided: Vacuum tubes **31** in holders **19**, crevice nozzle **27** in holder **20**, floor nozzle **30** in holder **21**.
- Undo the elastic tie-downs of the vacuum-hose holders **4** and place the vacuum hose **24** around the vacuum cleaner lid into the holders **4**.
Reattach the elastic tie-downs.
- Mount the L-Boxx onto the retainers **11**.
- To prevent back injuries, remove a full disposal bag or dust bag, or drain vacuumed-up fluids before transporting the vacuum cleaner.
Carry the vacuum cleaner only by the carrying handle **10**.
- For transport of the vacuum cleaner, screw the plug cap **2** onto the hose connection piece **3**.
- Store the vacuum cleaner in a dry room and secure it against unauthorised use.
- To lock the castors **16**, actuate the castor brakes **15** by pushing down.

Correction of Malfunctions

Problem	Corrective Measure
The vacuum turbine does not start.	<ul style="list-style-type: none"> - Check mains cable, mains plug, fuse, socket outlet and filling-level sensors 37. Mode selector switch 7 set to "Start/Stop automatic". - Set mode selector switch 7 to the "vacuum" symbol and switch the power tool connected to the socket outlet 5 on.
Vacuum turbine switches off.	<ul style="list-style-type: none"> - Empty container 1.
Vacuum turbine does not restart after emptying the container.	<ul style="list-style-type: none"> - Switch vacuum cleaner off and wait 5 seconds; switch on again after 5 seconds. - Clean level indicators 37 as well as the space between the level indicators 37 with a brush.
Vacuumping power decreases.	<ul style="list-style-type: none"> - Remove clogs from vacuum nozzle, vacuum tubes 31, vacuum hose 24 or flat-fold filter 26. - Replace disposal bag 25 or dust bag. - Engage filter cover 36 properly. - Mount vacuum cleaner lid 12 properly and lock latches 13. - Replace flat-fold filter 26.
Dust escapes during vacuumping	<ul style="list-style-type: none"> - Check proper installation of the flat-fold filter 26. - Replace flat-fold filter 26.
The automatic shut-off (wet vacuumping) does not respond.	<ul style="list-style-type: none"> - Clean level indicators 37 as well as the space between the level indicators 37 with a brush. The automatic shut-off does not function with non-conductive liquids or foam/bubbles. - Monitor the level continuously.
The alarm sounds.	<ul style="list-style-type: none"> Vacuum capacity set too low. - Set control knob for vacuum capacity 8 to a higher value. Hose diameter is incorrectly set. - Set airflow regulator 6 to correct vacuum-hose diameter. Vacuum hose 24 clogged or bent/creased. - Correct clog or bend/crease. Disposal bag/dust bag full. - Replace disposal bag 25 or dust bag. Flat-fold filter 26 contaminated. - Clean flat-fold filter or replace, as required. Insufficient airflow for the connected power tool. - Open air diffuser 34 of the tool sleeve 22: Turn ring on tool sleeve until air-diffuser opening is completely opened. - If available: Open air-diffuser opening of power tool. Malfunction of the monitoring electronics. - Contact an authorised service agent for Bosch power tools.

Problem	Corrective Measure
Automatic filter cleaning inoperative.	<ul style="list-style-type: none"> - Activate the filter cleaning (actuate the AFC button 9). - Connect the vacuum hose 24.
The automatic filter cleaning cannot be switched off.	<ul style="list-style-type: none"> - Contact an authorised service agent for Bosch power tools.
The automatic filter cleaning cannot be switched off.	<ul style="list-style-type: none"> - Contact an authorised service agent for Bosch power tools.

After-sales Service and Application Service

Our after-sales service responds to your questions concerning maintenance and repair of your product as well as spare parts. Exploded views and information on spare parts can also be found under:

www.bosch-pt.com

Bosch's application service team will gladly answer questions concerning our products and their accessories.

In all correspondence and spare parts orders, please always include the 10-digit article number given on the nameplate of the product.

People's Republic of China

China Mainland

Bosch Power Tools (China) Co., Ltd.
567, Bin Kang Road
Bin Jiang District 310052
Hangzhou, P. R. China
Service Hotline: 4008268484
Fax: (0571) 87774502
E-Mail: contact.ptcn@cn.bosch.com
www.bosch-pt.com.cn

HK and Macau Special Administrative Regions

Robert Bosch Hong Kong Co. Ltd.
21st Floor, 625 King's Road
North Point, Hong Kong
Customer Service Hotline: +852 2101 0235
Fax: +852 2590 9762
E-Mail: info@hk.bosch.com
www.bosch-pt.com.hk

Indonesia

PT Robert Bosch
Palma Tower 10th Floor
Jl. RA Kartini II-S Kaveling 6 Sek II
Pondok Pinang, Kebayoran Lama
Jakarta Selatan 12310
Indonesia
Tel.: (021) 3005 5800
Fax: (021) 3005 5801
E-Mail: boschpowertools@id.bosch.com
www.bosch-pt.co.id

Philippines

Robert Bosch, Inc.
28th Floor Fort Legend Towers,
3rd Avenue corner 31st Street,
Fort Bonifacio Global City,
1634 Taguig City, Philippines
Tel.: (02) 8703871
Fax: (02) 8703870
matheus.contiero@ph.bosch.com
www.bosch-pt.com.ph

Bosch Service Center:
9725-27 Kamagong Street
San Antonio Village
Makati City, Philippines
Tel.: (02) 8999091
Fax: (02) 8976432
E-Mail: rosalie.dagdagan@ph.bosch.com

Malaysia

Robert Bosch Sdn. Bhd.
No. 8A, Jalan 13/6
G.P.O. Box 10818
46200 Petaling Jaya
Selangor, Malaysia
Tel.: (03) 79663194
Fax: (03) 79583838
E-Mail: cheehoe.on@my.bosch.com
Toll-Free: 1800 880188
www.bosch-pt.com.my

Thailand

Robert Bosch Ltd.
Liberty Square Building
No. 287, 11 Floor
Silom Road, Bangrak
Bangkok 10500
Tel.: 02 6393111
Fax: 02 2384783
Robert Bosch Ltd., P. O. Box 2054
Bangkok 10501, Thailand
www.bosch.co.th

Bosch Service – Training Centre
La Salle Tower Ground Floor Unit No.2
10/11 La Salle Moo 16
Srinakharin Road
Bangkaew, Bang Plee
Samutprakarn 10540
Thailand
Tel.: 02 7587555
Fax: 02 7587525

16 | English

Singapore

Powerwell Service Centre Ptd Ltd
65 Ubi Crescent, #06-03 Hola Centre
Singapore 408559
Tel.: 6746 9770/71
Fax: 6746 9760
E-Mail: powerwellsc@gmail.com
Toll-Free: 1800 3338333
www.bosch-pt.com.sg

Vietnam

Robert Bosch Vietnam Co. Ltd
13th Floor, 194 Golden Building
473 Dien Bien Phu Street
Ward 25, Binh Thanh District
84 Ho Chi Minh City
Vietnam
Tel.: (08) 6258 3690
Fax: (08) 6258 3692
Hotline: (08) 6250 8555
E-Mail: tuvankhachhang-pt@vn.bosch.com
www.bosch-pt.com.vn
www.baohanhbosch-pt.com.vn

Australia, New Zealand and Pacific Islands

Robert Bosch Australia Pty. Ltd.
Power Tools
Locked Bag 66
Clayton South VIC 3169
Customer Contact Center
Inside Australia:
Phone: (01300) 307044
Fax: (01300) 307045
Inside New Zealand:
Phone: (0800) 543353
Fax: (0800) 428570
Outside AU and NZ:
Phone: +61 3 95415555
www.bosch-pt.com.au
www.bosch-pt.co.nz

Egypt

Unimar
20 Markaz kadmat
El tagmoa EL Aoul - New Cairo
Tel: +2 02 224 76091 - 95 / + 2 02 224 78072 - 73
Fax: +2 02 224 78075
E-Mail: adelzaki@unimaregypt.com

Ethiopia

Forever plc
Kebele 2,754, BP 4806,
Addis Ababa, Ethiopia
Tel: +251 111 560 600, +251 111 560 600
E-Mail: foreverplc@ethionet.et

Nigeria

C. Woermann Ltd.
P.O. Box 318
6, Badejo Kalesanwo Street
Matori Industrial Estate
Lagos, Nigeria
Tel: +234 17 736 498, +234 17 730 904
E-Mail: d.kornemann@woermann-nigeria.com

Republic of South Africa

Customer service

Hotline: (011) 6519600

Gauteng - BSC Service Centre

35 Roper Street, New Centre
Johannesburg
Tel.: (011) 4939375
Fax: (011) 4930126
E-Mail: bsctools@icon.co.za

KZN - BSC Service Centre

Unit E, Almar Centre
143 Crompton Street
Pinetown
Tel.: (031) 7012120
Fax: (031) 7012446
E-Mail: bsc.dur@za.bosch.com

Western Cape - BSC Service Centre

Democracy Way, Prosperity Park
Milnerton
Tel.: (021) 5512577
Fax: (021) 5513223
E-Mail: bsc@zsd.co.za

Bosch Headquarters

Midrand, Gauteng
Tel.: (011) 6519600
Fax: (011) 6519880
E-Mail: rbsa-hq.pts@za.bosch.com

Disposal

The vacuum cleaner, accessories and packaging should be sorted for environmental-friendly recycling.
Do not dispose of the vacuum cleaner into household waste!

Subject to change without notice.

中文

安全规章



阅读所有的警告提示和指示。如未确实遵循警告提示和指示，可能导致电击，火灾并且 / 其他的严重伤害。

妥善保存本使用说明书。

▶ **儿童和身体、感官或精神上有缺陷或缺乏经验与知识的人员不得使用本吸尘器。** 否则会有误操作和人身伤害的危险。

▶ **请监督好儿童。** 以确保儿童不使用吸尘器玩耍。

警告！ 只有当您充分了解有关吸尘器使用、待抽取的材料及其安全处理的情况下，才能使用吸尘器。详细的指导可以减少误操作及人身伤害。

警告！ 本吸尘器适合收集干的废尘。经过适当的处理后，本吸尘器也可以吸取液体。液体如果渗入机器中会提高触电的危险。

▶ **不可以使用吸尘器收集易燃或易爆的液体，例如汽油，油，酒精，稀释剂。不可以收集炙热或燃烧中的灰尘。不可以有爆炸危险的场所使用吸尘器。** 上述灰尘、蒸气或液体可能自燃或爆炸。

警告！ 插座只能用在使用说明书上规定的用途上。

警告！ 如果渗出泡沫或水就得马上关闭吸尘器，并倒空容器。否则会损坏吸尘器。

注意 本吸尘器只能在室内保存。

注意 定期清洁液体的液位传感器并检查是否损坏。否则可能会影响功能。

▶ **如果不得不在潮湿的环境下使用吸尘器，得加装故障电流保护开关。** 使用故障电流保护开关可以避免遭受电击。

▶ **吸尘器必须连接在正确接地的电源上。** 插座和延长线必须具备功能正常的接地安全引线。

▶ **使用之前先检查吸尘器，电线和插头。** 如果上述机件有损坏便不可以使用吸尘器。不可以擅自打开吸尘器。吸尘器只能交给合格的专业人员，只能使用原厂的零件修理。吸尘器，电线和插头如果损坏了会提高触电的危险。

▶ **不可以碾压或扭挤电线。不可以拉着电线来拔出插座上的插头，或者拉着电线来拖动吸尘器。** 损坏的电线会提高触电的危险。

▶ **在保养或清洁吸尘器、调整设备、更换配件或收起吸尘器前，先拔下插头。** 这一项预防措施能防止意外启动吸尘器。

▶ **要确保工作场所通风良好。**

▶ **吸尘器只能交给合格的电工修理。修理时只能换装原厂的备件。** 如此才能确保吸尘器的安全性能。

警告！ 吸尘器集存了有害健康的废尘。倾倒废尘和维修机器，包括处理废弃的集尘容器等工作，都只能交给专业人员执行。操作时得穿戴合适的防护装备。未安装好完整的过滤系统之前切勿使用吸尘器。否则会危害您的健康。

▶ **使用前先检查吸尘管是否完好无损。检查时要让吸尘管连接在吸尘器上，这样可以防止尘埃外泄。** 否则您可能会吸入废尘。

▶ **不可以拿吸尘器充当座椅。** 这样会损坏吸尘器。

▶ **小心地使用电线和吸尘管。** 因为上述机件可能危及他人。

▶ **清洁吸尘器时，不可以把水柱直接瞄准吸尘器。** 水如果渗入吸尘器盖会提高触电的危险。

代表符号

以下符号可以帮助您正确地使用本吸尘器。请牢记各符号和它们的代表意义。正确了解各符号的代表意义，可以让您更有把握更安全地操作本吸尘器。

符号和它们的代表意义



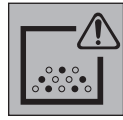
注意 阅读所有的警告提示和指示。如未确实遵循警告提示和指示，可能导致电击，火灾并且 / 其他的严重伤害。



符合 IEC/EN 60335-2-69 粉尘等级 M 的吸尘器，用于干式抽取危害健康的粉尘（粉尘爆炸限值为 $\geq 0.1 \text{ mg/m}^3$ ）

18 | 中文

符号和它们的代表意义



警告！ 吸尘器集存有有害健康的废尘。倾倒废尘和维修机器，包括处理废弃的集尘容器等工作，都只能交给专业人员执行。操作时得穿戴合适的防护装备。未安装好完整的过滤系统之前切勿使用吸尘器。否则会危害您的健康。



自动启动 / 停止
吸除运行中的电动工具的积尘
真空吸尘器自动启动，再延时停止

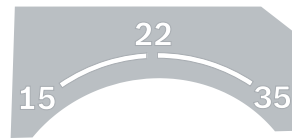
1+

0

关闭



吸
吸除积尘



15 体积流量监控，用于软管直径 15 mm
22 体积流量监控，用于软管直径 22 mm
35 体积流量监控，用于软管直径 35 mm



Min/Max 无级调节吸力：
- 处理强粉尘时的最大吸尘功率
- 处理低粉尘时的较低吸尘功率，以便例如调节已连接的电动工具与工件表面之间的吸力（例如在打磨时）

说明所连接的电动工具的允许连接功率（视国家而定）

max.
2200 W
min.
100 W



符号和它们的代表意义

AFC 过滤器自动清洁装置
(AFC = Automatic Filter Cleaning)



警告！ 最多只能卡上一个 L-Boxx。
L-Boxx 的重量连同内容物不允许超过 15 kg。



▶ 例如在运输途中切勿将吸尘器悬挂在吊车挂钩上。吸尘器不能用吊车吊运。有受伤和损坏的危险。



▶ 不要将吸尘器用作座位、梯子或踏板。否则吸尘器可能会翻倒并受损。有受伤的危险。

产品和功率描述

翻开标示了吸尘器详解图的 折叠页。阅读使用说明书时必须翻开折叠页参考。

按照规定使用机器

该设备可以收集、吸除、运输和存放木屑以及非易燃的干粉尘、非易燃液体和气水混合物。吸尘器经过粉尘技术检测，符合粉尘等级 M。因其较高的负载适合使用在商业用途中，例如手工业、工业和修理厂。符合 IEC/EN 60335-2-69 粉尘等级 M 的吸尘器只允许用于抽吸危害健康的粉尘（粉尘爆炸限值为 $\geq 0.1 \text{ mg/m}^3$ ）。

必须熟悉所有的操作功能，并且能够不受限制地执行各功能时才可以使本吸尘器。否则得有充分的指导才能够操作本吸尘器。

插图上的机件

机件的编号和吸尘器详解图上的编号一致。

- 1 集尘箱
- 2 抽吸接头螺旋塞
- 3 吸管接头
- 4 抽吸软管固定架
- 5 针对电动工具的插座
- 6 体积流量调节器
- 7 功能转换开关

- 8 吸尘功率调节器
(不适用于物品号 3 601 JC3 170)
- 9 AFC 键
- 10 提柄
- 11 L-Boxx 定位件
- 12 吸尘器盖
- 13 吸尘器盖的封闭门
- 14 滚轮
- 15 导向滚轮制动
- 16 导向滚轮
- 17 电线夹
- 18 过滤器盖板的锁紧接片
- 19 吸管支架
- 20 缝隙吸嘴 / 抽吸弯管支架
- 21 地板吸嘴支架
- 22 工具套
- 23 吸尘弯管
- 24 吸管
- 25 垃圾袋
- 26 扁平折叠式过滤器 (PES)
- 27 缝隙吸嘴
- 28 唇形橡胶密封条
- 29 刷条
- 30 地板吸嘴
- 31 吸管
- 32 抽吸软管支架定位件
- 33 按键
- 34 渗入空气口
- 35 LED 指示灯
- 36 过滤器盖板
- 37 液面探测设备

图表或说明上提到的附件，并不包含在基本的供货范围中。
本公司的附件清单中有完整的附件供应项目。

技术数据

湿式 / 干式吸尘器	GAS 35 M AFC	
物品代码		...
3 601 JC3 1..	170
额定电压	伏特 220 - 240**	110
额定输入功率	瓦 1200	1000
频率	赫兹 50 / 60	50 / 60
容器容量 (毛容量)	升 35	35
净容积 (液体)	升 19	19
集尘纸袋容量	升 19	19

* 严格采用 \varnothing 35 mm 和 5 m 长的抽吸软管
** 数据适用于 [U] 230 V 的额定电压。若电压较低以及因国家而电压不同时，数据可能会有所变化。

湿式 / 干式吸尘器		GAS 35 M AFC	
最大真空 *			
- 吸尘器	hPa	230	211
- 涡轮	hPa	254	242
最大体积流量 *			
- 吸尘器	升 / 秒	36	31
	m ³ /s	0.036	0.031
- 涡轮	升 / 秒	74	71
	m ³ /s	0.074	0.071
最大吸尘功率			
	瓦	1380	1150
扁平折叠式过滤器面			
	m ²	0.615	0.615
粉尘等级			
		M	M
重量符合 EPTA- Procedure 01: 2014			
	公斤	12.4	12.4
绝缘等级			
		⊕ / I	⊕ / I
保护种类			
		IP X4	IP X4

* 严格采用 \varnothing 35 mm 和 5 m 长的抽吸软管

** 数据适用于 [U] 230 V 的额定电压。若电压较低以及因国家而电压不同时，数据可能会有所变化。

自动启动 / 停止 *

	额定电压	最大功率	最小功率
AU	220 - 240 伏特	2200 瓦	100 瓦
CN	110 伏特	750 瓦	100 瓦

* 说明所连接的电动工具的允许连接功率 (视国家而定)

安装

▶ 在吸尘器上进行任何维修的工作之前，务必先从插座上拔出插头。

安装抽吸软管固定架 (参考插图 A)

- 将抽吸软管支架 4 稳固地从上推入预设的定位件 32 中，直至卡止。

安装吸管 (参考插图 B)

- 把吸管 24 装入吸管接头 3 中。顺着时针的转向拧转吸管至无法继续拧入为止。

指示：抽吸时由于灰尘在抽吸软管和配件中摩擦而产生静电，用户会以静电放电形式感受到它的存在 (取决于环境条件和身体感知)。

一般博世建议在抽吸细小的灰尘和干燥材料时使用防静电抽吸软管 (配件)。

安装吸尘器配件 (参考插图 C)

该抽吸软管 24 配备了夹紧系统，并连接了吸尘配件 (工具套 22、抽吸弯管 23)。

安装工具套

- 将工具套 22 安装到抽吸软管上 24，直到听见抽吸软管的两个按钮 33 卡止。
- 拆除时向内按压两个按钮 33，并将部件从中抽出。

20 | 中文

安装喷嘴和管道

- 将抽吸弯管 23 安装到抽吸软管上 24，直到听见抽吸软管的两个按钮 33 卡止。
- 然后将所需的吸气配件（地板吸嘴、缝隙吸嘴、吸气管等）牢牢地插到抽吸弯管 23 上。
- 拆除时向内按压两个按钮 33，并将部件从中抽出。

装入 / 取出垃圾袋或集尘袋（干式吸尘）
(参考插图 D1 - D2)

要干式抽吸符合粉尘等级 M 的材料，**必须**使用垃圾袋 25 或集尘袋。

如果要抽吸的材料粉尘爆炸限值为 $\geq 1 \text{ mg/m}^3$ （符合粉尘等级 L），则可直接吸入容器内。

指示：使用纸质过滤袋时**必须**（使用无纺布过滤袋时应当）关闭过滤器自动清洁装置（AFC）（参见“禁用 AFC”，第 21 页）。

警告！ 吸尘器集存有有害健康的废尘。倾倒废尘和维修机器，包括处理废弃的集尘容器等工作，都只能交给专业人员执行。操作时得穿戴合适的防护装备。未安装好完整的过滤系统之前切勿使用吸尘器。否则会危害您的健康。

装入垃圾袋

- 打开封闭门 13 并拿下吸尘器盖 12。
- 将垃圾袋 25 加注口向前放入容器 1 中。
- 将加注口经由接头法兰拉至接头法兰的凹槽内。
- 确保垃圾袋 25 完全贴在容器 1 的内壁上。
- 将垃圾袋 25 的剩余部分盖在容器 1 边缘上。
- 再度装回吸尘器盖 12 并关好吸尘器盖的封闭门 13。

取出并密封垃圾袋

- 打开封闭门 13 并拿下吸尘器盖 12。
- 将装满的垃圾袋 25 从接头法兰向后拔下。
- 小心地将垃圾袋 25 从吸尘器取出，不要损坏。注意，切勿将垃圾袋与接头法兰或其他尖锐物品接触。
- 拔下胶带盖板并封住垃圾袋。然后将垃圾袋 25 在加注口下方连同拔下的胶带盖板扎紧。

更换 / 安装集尘袋（附件）

- 打开封闭门 13 并拿下吸尘器盖 12。
- 把已经被填满的集尘袋 从接头法兰上向后拉出。掀回盖子盖住集尘袋上的开口。从吸尘器中拿出已经盖好盖子的集尘袋。
- 将全新的集尘袋套在吸尘器的接头法兰上。确认集尘袋在整个长度上都紧贴容器 1 的内壁。
- 再度装回吸尘器盖 12 并关好吸尘器盖的封闭门 13。

安装唇形橡胶密封条（吸液液体）
(参考插图 E)

指示：对于透过率的要求（粉尘等级 M）证明仅适用于干式抽吸。

- 使用合适的工具将刷条 29 从地板吸嘴 30 中抬起。
- 将唇形橡胶密封条 28 安装到地板吸嘴 30 上。

指示：唇形橡胶密封条的结构化一面必须朝外。

卡上 L-Boxx（参考插图 F）

要运输吸尘器并节省空间地保存吸尘器附件和 / 或电动工具，可将 L-Boxx 卡到吸尘器上部件上。

- 将 L-Boxx 卡到定位件 11 上。
- ▶ **不要用卡上的 L-Boxx 的手柄运输吸尘器。** 吸尘器对于 L-Boxx 的把手而言过重。有受伤和损坏的危险。

操作**操作机器**

- ▶ **注意电源的电压！** 电源的电压必须和吸尘器铭牌上标示的电压一致。
- ▶ **了解贵国处理有害健康的灰尘时需遵守的现行法规 / 法律。**

吸尘器允许用于吸除以下材料：

- 粉尘爆炸限值为 $\geq 0.1 \text{ mg/m}^3$

基本上不可以有爆炸危险的场所使用本吸尘器。

出于节能目的，仅在使用吸尘器时才将其接通。

为保障最佳的吸尘功率，必须将抽吸软管 24 完全从吸尘器上部件 12 展开。

干式吸尘**吸除积尘**

- 将体积流量调节器 6 调至所用的软管直径。
- 为启动吸尘器，将操作模式选择开关 7 设置到图标“抽吸”上。
- 为关停吸尘器，将操作模式选择开关 7 设置到图标“关闭”上。



吸尘器配备了体积流量监控装置。在运行模式“抽吸”中，体积流量监控装置固定设置为数值 20，无论体积流量调节器 6 在什么位置。

如果低于该数值，例如抽吸软管中脏污堵塞，集尘袋已满或增加了扁平折叠式过滤器，则声音警告信号响起。在此种情况下关闭吸尘器并如章节“排除故障”中描述的那样进行检查。


吸除运行中的电动工具的积尘 (参考插图 G)

► **如果废气回流至室内，必须保证在室内有充足的空气交换率 (L)。注意各国有关的法规。**

在吸尘器中内置了一个保险插座 5。您可在那连接一个外部的电动工具。注意所连接的电动工具的最大允许连接功率。

为了确保在抽吸点上充分的粉尘输送，不允许低于已连接电动工具的最小体积流量。

软管直径	体积流量设定值
35 毫米	57.9 m ³ /h
22 毫米	41.2 m ³ /h
15 毫米	12.7 m ³ /h

- 将体积流量调节器 6 调至所用的软管直径。
- 安装工具套 22 (见 "安装工具套", 第 19 页)
- 将工具套 22 插入电动工具的抽吸套管中。
- 为了**试运行吸尘器的自动启动 / 停止功能**，将操作模式选择开关 7 设置在图标 "自动启动 / 停止" 处。
- 在该运行模式中，将根据调节器 6 上的设置对体积流量进行电子监控。如果正确选择了设置，则可确保充分的粉尘输送。
- 欲 **开动** 吸尘器时，得启动连接在插座 5 上的电动工具，此时吸尘器会自动连动。
- 关闭该电动工具，以 **结束** 吸尘。
- 自动启动 / 停止最多延时运行 15 秒，以吸除抽吸软管中剩余的灰尘。
- 为**关停**吸尘器，将操作模式选择开关 7 设置到图标 "关闭" 上。

如果声音警告信号响起，则必须如章节 "排除故障" 中描述的那样检查吸尘器。

吸吸液体

- **不可以使用吸尘器吸集易燃或易爆的液体，例如汽油，油，酒精，稀释剂。不可以吸集炙热或燃烧中的灰尘。不可以有爆炸危险的场所使用吸尘器。**上述灰尘、蒸气或液体可能自燃或爆炸。
- **不可以使用吸尘器充当水泵。**本吸尘器适合吸集混杂的气体和吸吸混杂的液体。
- **在吸尘器上进行任何维修的工作之前，务必先从插座上拔出插头。**

指示：对于透过率的要求 (粉尘等级 M) 证明仅适用于干式抽吸。

- 在湿式吸尘前将垃圾袋 25 或集尘袋取下，并排空容器 1。

指示：在吸除固液混合物时使用湿式过滤袋 (附件)，它能将固液分离，从而更方便的处理废物。

- 将唇形橡胶密封条装入地板吸嘴中 (见 "安装唇形橡胶密封条", 第 20 页)。
- 关闭过滤器自动清洁装置 (AFC) (参见 "禁用 AFC", 第 21 页)。

吸尘器配备了填充状态传感器 37。如果达到最大填充高度，吸尘器关闭。将操作模式选择开关 7 设置到图标 "关闭"。

指示：抽吸不导电的液体 (例如钻孔乳液，机油和油脂) 时，吸尘器在容器已满的情况下不会关闭。必须不断检查装填状态，并及时排空容器。

如果湿式抽吸时声音警告信号响起，吸尘器的功能安全性不受影响。无须采取任何措施来排除故障。

- 运输吸尘器时，将螺旋塞 2 拧到软管定位件 3 上。

湿式吸尘后为了避免霉菌形成：

- 取出扁平折叠式过滤器 26，并同样让其彻底风干。
- 取下吸尘器上部件 12，打开过滤器盖板 36，让两者彻底风干。

过滤器清洁**过滤器自动清洁装置 (参考插图 H)**

在过滤器自动清洁装置 (AFC = Automatic Filter Cleaning) 上，扁平折叠式过滤器 26 每 15 秒通过强气流清洁 (间歇性噪音)。

最迟在吸尘功效慢慢减弱时，务必启动此功能。

定期使用过滤器清洁可提高过滤器的使用寿命。要达到理想的过滤器使用寿命，仅在特殊情况下停用过滤器自动清洁装置，例如在抽吸纯液体或使用纸质过滤袋时。

表面脏污的扁平折叠式过滤器功能完全正常。无需通过拍打或吹净扁平折叠式过滤器进行手动清洁，这甚至会损坏过滤器。

指示：过滤器自动清洁装置在出厂时已接通。

只有在设备接通时才能接通 / 关闭过滤器自动清洁装置。

- **禁用 AFC**
操纵 AFC 键 9。
LED 指示灯 35 熄灭。
- **激活 AFC**
操纵 AFC 键 9。
LED 指示灯 35 以绿色亮起。

维修和服务**维修和清洁**

- **在吸尘器上进行任何维修的工作之前，务必先从插座上拔出插头。**
- **吸尘器和通气孔必须随时保持清洁，以确保工作效率和工作安全。**
- **在保养和清洁吸尘器时带上防尘面具。**

如果必须更换连接线，务必把这项工作交给博世或者经授权的博世电动工具顾客服务执行，以避免危害机器的安全性能。

22 | 中文

每年至少一次，得由制造商或经过培训的人员进行一次吸尘功能的检查，例如检查过滤器是否有毁损，吸尘器的密闭性以及控制装备的功能等。

如果粉尘等级 M 的吸尘器曾位于脏污环境中，则应清洁外部以及所有机器部件或用密封剂进行处理。执行保养和维修操作时，必须对所有清洁未达到满意程度的零件作废弃处理。此类零件必须装在不通透的袋子里，按照此类废弃物通行的规定进行处理。

操作者自行维修吸尘器时要先拆开吸尘器，然后在可执行的范围内进行清洁的工作，清洁时绝对不可以对维修者本身或他人造成危险。拆开吸尘器之前应该先清洗吸尘器，以避免可能发生的危险。拆开吸尘器的场所必须保持通风良好。进行维修时得穿戴好个人的防护装备。维修后应该要能够达到彻底清洁维修部位的效果。

取出 / 更换扁平折叠式过滤器 (参考插图 I1 - I2)

立即更换损坏的扁平折叠式过滤器 26。

- 拉动锁紧接片 18 并打开过滤器盖板 36。
- 通过挡片抓住扁平折叠式过滤器 26 并将其向上取出。
- 清除在取出扁平折叠式过滤器 26 时落下的灰尘和脏污，用一块湿布从过滤器盖板 36 的封闭边缘进行清除。
- PES 和 PTFE 扁平折叠式过滤器可在流水下冲洗。
- 装入新的或经过清洁的扁平折叠式过滤器 26，同时注意安装是否牢固、正确。
- 重新关闭过滤器盖板 36 (必须听到卡止声)。

排除故障

	处理措施
吸风机无法启动。	- 检查电源线、电源插头、保险丝、电源插座和填充状态传感器 37。 操作模式选择开关 7 处于 "自动启动 / 停止"。 - 将操作模式选择开关 7 设置到图标 "抽吸" 处，或启动与插座 5 连接的电动工具。
吸风机关闭。	- 排空容器 1。
在排空容器后吸风机无法再次启动。	- 关闭吸尘器并等待 5 秒，5 秒后再次打开。 - 用刷子清洁填充状态传感器 37 以及填充状态传感器 37 的间隙。
吸力下降。	- 清除吸嘴、吸管 31、抽吸软管 24 或扁平折叠式过滤器 26 中的堵塞物。 - 更换垃圾袋 25 或集尘袋。 - 正确卡止过滤器盖板 36。 - 正确放置吸尘器上部件 12 并关闭锁紧装置 13。 - 更换扁平折叠式过滤器 26。
吸尘时灰尘溢出	- 检查扁平折叠式过滤器 26 是否正确安装。 - 更换扁平折叠式过滤器 26。
自动断开装置 (湿式吸尘) 不响应。	- 用刷子清洁填充状态传感器 37 以及填充状态传感器 37 的间隙。 对于不导电的液体或在形成泡沫时，自动断开装置不工作。 - 持续监控液面高度。

集尘箱

必须不定时地使用一般市面上的温和清洁剂擦拭集尘箱 1，并让它彻底风干。

液面探测设备 (参考插图 J)

偶尔得清洁液面探测设备 37。

- 打开封闭门 13 并拿下吸尘器盖 12。
- 使用柔软的布清洁液面探测设备 37。
- 再度装回吸尘器盖 12 并关好吸尘器盖的封闭门 13。

存放和搬运 (参考插图 K)

- 将电源线缠绕在电缆支架 17 上。
- 将附件插入预设支架：将吸管 31 插入支架 19，将缝隙吸嘴 27 插入支架 20，将地板吸嘴 30 插入支架 21。
- 打开抽吸软管支架 4 的松紧带并将抽吸软管 24 围着吸尘器上部件装入支架 4 内。
重新挂入松紧带。
- 将 L-Boxx 卡到定位件 11 上。
- 运输吸尘器前，取出已满的垃圾袋或集尘袋或排空已抽吸的液体，避免背部受伤。
只能用手提把手 10 提起吸尘器。
- 运输吸尘器时，将螺旋塞 2 拧到软管定位件 3 上。
- 在干燥的地方关闭吸尘器，防止未经授权使用。
- 为固定导向滚轮 16，踩下导向滚轮制动器 15。

处理措施	
声音警告信号响起。	吸尘功率设置过低。 - 将吸尘功率调节器 8 调到更高数值。 软管直径设置错误。 - 将体积流量调节器 6 调到正确的抽吸软管直径。 抽吸软管 24 堵塞或折弯。 - 排除堵塞或折弯。 垃圾袋 / 集尘袋已满。 - 更换垃圾袋 25 或集尘袋。 扁平折叠式过滤器 26 脏污。 - 清洁扁平折叠式过滤器，必要时更换。 无足够的空气流量通过已连接的电动工具。 - 打开工具套 22 的渗入空气口 34 ： 旋转工具套上的环，直至渗入空气口完全打开。 - 如果有的话：打开电动工具的渗入空气口。 监控电子装置功能失灵。 - 联系经过授权的博世顾客服务中心。
过滤器自动清洁装置不工作。	- 激活过滤器清洁（操纵 AFC 键 9 ）。 - 连接抽吸软管 24 。
过滤器自动清洁装置无法关闭。	- 联系经过授权的博世顾客服务中心。
过滤器自动清洁装置无法接通。	- 联系经过授权的博世顾客服务中心。

顾客服务处和顾客咨询中心

本公司顾客服务处负责回答有关本公司产品的修理、维护和备件的问题。以下的网页中有爆炸图和备件的资料：

www.bosch-pt.com

博世顾客咨询团队非常乐意为您解答有关本公司产品及附件的问题。

如需查询和订购备件，请务必提供产品型号铭牌上的 10 位数货号。

有关保证，维修或更换零件事宜，请向合格的经销商查询。

中国大陆

博世电动工具（中国）有限公司

中国 浙江省 杭州市

滨江区滨康路 567 号

邮政编码：310052

免费服务热线：4008268484

传真：(0571) 87774502

电邮：contact.ptcn@cn.bosch.com

www.bosch-pt.com.cn

罗伯特·博世有限公司

香港北角英皇道 625 号 21 楼

客户服务热线：+852 2101 0235

传真：+852 2590 9762

电邮：info@hk.bosch.com

网站：www.bosch-pt.com.hk

制造商地址：

Robert Bosch Power Tools GmbH

罗伯特·博世电动工具有限公司

70538 Stuttgart / GERMANY

70538 斯图加特 / 德国

处理废弃物

必须使用符合环保要求的方式处理废弃的吸尘器，附件和包装材料。

吸尘器不可以丢弃在一般的家庭垃圾中！

保留修改权。

中文

安全規章



閱讀所有的警告提示和指示。如未確實遵循警告提示和指示，可能導致電擊、火災並且 / 或其他的嚴重傷害。

妥善保存本使用說明書。

▶ **本吸塵器不適合兒童以及體能、知覺或智能有障礙之人士，或者不具備充分經驗及知識者使用。否則可能會造成操作上的錯誤以及受傷危險。**

▶ **請照看兒童。如此才能確保他們未將本吸塵器當做玩具任意玩耍。**

警告 您必須先瞭解吸塵器本身的使用方式、欲吸除之物質以及安全處置該物質的方式等相關資訊之後，才能開始使用吸塵器。謹慎的事前教育訓練可減少操作錯誤或人員受傷。

警告 本吸塵器適合收集乾的物料。經過適當的處理後，本吸塵器也可以吸汲液體。液體如果滲入機器中會提高觸電的危險。

▶ 不可以使用吸塵器吸集易燃或易爆的液體，例如汽油、油、酒精、稀釋劑。不可以吸集炙熱或燃燒中的灰塵。不可以有在爆炸危險的場所使用吸塵器。上述灰塵、蒸氣或液體可能自燃或爆炸。

警告 插座只能用在說明書上規定的用途上。

警告 如果滲出泡沫或水就得馬上關閉吸塵器，並倒空容器。否則會損壞吸塵器。

注意 此吸塵器僅能存放於室內。

注意 定期清潔針對液體的液面探測設備並且檢查探測設備是否損壞了。如果探測設備損壞了會影響機器功能。

▶ 如果不得不在潮濕的環境下使用吸塵器，得加裝故障電流保護開關。使用故障電流保護開關可以避免遭受電擊。

▶ 吸塵器必須連接在正確接地的電源上。插座和延長線必須具備功能正常的接地安全引線。

▶ 使用吸塵器之前，先檢查電線和插頭。如果上述機件有損壞便不可以使用吸塵器。不可以擅自打開吸塵器。吸塵器只能交給合格的專業人員，只能使用原廠的零件修理。吸塵器、電線和插頭如果損壞了會提高觸電的危險。

▶ 不可以軋壓或扭擠電線。不可以拉著電線來拔出插座上的插頭，或者拉著電線來拖動吸塵器。損壞的電線會提高觸電的危險。

▶ 在維護或清潔吸塵器、進行設備設定、更換配件或儲藏吸塵器之前，請先將插頭從插座上拔下。這些預防措施可以防止吸塵器意外啟動。

▶ 要確保工作場所通風良好。

▶ 吸塵器只能交給合格的電工修理。修理時只能換裝原廠的備件。如此才能確保吸塵器的安全性能。

警告 吸塵器集存有有害健康的廢塵。傾倒廢塵和維修機器，包括處理廢棄的集塵容器等工作，都只能交給專業人員執行。操作時得穿戴合適的防護裝備。未安裝好完整的過濾系統之前切勿使用吸塵器。否則會危害您的健康。

▶ 使用前先檢查吸塵管是否完好無損。把吸塵管安裝在吸塵器上，這樣可以防止塵埃不預期地外泄。不這樣做可能會吸入廢塵。

▶ 不可以拿吸塵器充當座椅。這樣會損壞吸塵器。

▶ 小心地使用電線和吸塵管。因為上述機件可能危及他人。

▶ 清潔吸塵器時，不可以把水柱直接瞄準吸塵器。水如果滲入吸塵器蓋會提高觸電的危險。

代表符號

以下符號可以幫助您正確地使用本吸塵器。請牢記各符號和它們的代表意思。正確了解各符號的代表意思，可以讓您更有把握更安全地操作本吸塵器。

符號和它們的代表意義



注意 閱讀所有的警告提示和指示。如未確實遵循警告提示和指示，可能導致電擊、火災並且 / 或其他的嚴重傷害。



此吸塵器的粉塵等級為 M，符合 IEC/EN 60335-2-69，這是針對乾式抽吸暴露濃度 $\geq 0.1 \text{ mg/m}^3$ 之有害粉塵而制定的標準規範

符號和它們的代表意義



警告 吸塵器集存有有害健康的廢塵。傾倒廢塵和維修機器，包括處理廢棄的集塵容器等工作，都只能交給專業人員執行。操作時得穿戴合適的防護裝備。未安裝好完整的過濾系統之前切勿使用吸塵器。否則會危害您的健康。

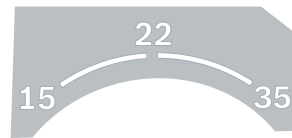


自動開始 / 停止運轉
吸除電動工具運轉時產生的灰塵
吸塵器會自動啟動，運轉一段時間後再度關閉

0

關閉

吸
吸除沉積的灰塵



- 15 體積流量監測所使用的軟管管徑為 15 mm
- 22 體積流量監測所使用的軟管管徑為 22 mm
- 35 體積流量監測所使用的軟管管徑為 35 mm



Min/Max 吸力無段式調整：

- 最大吸力適用於大量產生粉塵的狀況
- 粉塵量愈少，吸力也可隨之調降；這麼做亦可（例如在進行研磨時）調整所連接之電動工具與工件表面之間的吸著力

max.
2200 W
min.
100 W

所連接之電動工具的允許連接功率相關說明（視國別而有所差異）

符號和它們的代表意義



AFC 濾網自動清潔功能
(AFC, Automatic Filter Cleaning)



警告 至多只能加掛一個 L-Boxx 系統工具箱。
L-Boxx 系統工具箱的重量（含內容物）不得超過 15 kg。



▶ **運送時，請勿將吸塵器掛在起重機的掛鉤上。** 吸塵器不可用起重機吊運。可能會造成人員受傷或物品損壞。



▶ **請勿將吸塵器當作座椅、梯子或登高踏墊使用。** 吸塵器可能會傾倒而受損。人員可能有受傷之虞。

產品和功率描述

翻開標示了吸塵器詳細圖的折疊頁。閱讀使用說明書時必須翻開折疊頁參考。

按照規定使用機器

此裝置適用於收集、吸除、輸送並分離刨木屑以及不可燃之乾燥灰塵，並不適用於處理可燃性液體以及水份與空氣混合物。本吸塵器已接受過粉塵技術性檢驗，並且符合粉塵等級 M。此吸塵器可適用於工商業界之高密度使用頻率，例如：手工業、工業和維修廠。

符合 IEC/EN 60335-2-69 的粉塵等級 M 吸塵器僅適用於吸除暴露濃度 $\geq 0.1 \text{ mg/m}^3$ 的有害粉塵。

必須熟悉所有的操作功能，並且能夠不受限制地執行各功能時才可以使用本吸塵器。否則得有充分的指導才能夠操作本吸塵器。

26 | 中文

插圖上的機件

機件的編號和吸塵器詳解圖上的編號一致。

- 1 集塵箱
- 2 吸塵浪管接頭的密封塞
- 3 吸管接頭
- 4 吸塵管固定裝置
- 5 針對電動工具的插座
- 6 體積流量調節器
- 7 功能轉換開關
- 8 吸力調節器（不適用於項目編號 3 601 JC3 170）
- 9 AFC 按鈕
- 10 提柄
- 11 L-Boxx 系統工具箱接合卡座
- 12 吸塵器蓋
- 13 吸塵器蓋的封閉門
- 14 滾輪
- 15 轉向滾輪煞車器
- 16 轉向滾輪
- 17 電線夾
- 18 濾網護蓋的鎖栓
- 19 吸管支架
- 20 隙縫吸頭 / 抽吸彎頭的收納支架
- 21 地板吸頭的收納支架
- 22 工具接管
- 23 吸塵曲管
- 24 吸管
- 25 拋棄式集塵袋
- 26 平折式濾網（PES）
- 27 吸塵頭
- 28 唇形橡膠密封條
- 29 刷條
- 30 地板吸塵頭
- 31 吸管
- 32 吸塵軟管固定架的支座
- 33 按鈕
- 34 漏風開口
- 35 LED 指示燈
- 36 濾芯蓋
- 37 液面探測設備

圖表或說明上提到的附件，並不包含在基本的供貨範圍中。
本公司的附件清單中有完整的附件供應項目。

技術性數據

濕式 / 乾式吸塵器	GAS 35 M AFC	
物品代碼
3 601 JC3 1..	170
額定電壓	伏特 220 - 240**	110
額定輸入功率	瓦 1200	1000
頻率	赫茲 50/60	50/60
容器容量（毛容量）	升 35	35
淨容量（液體）	升 19	19
集塵紙袋容量	升 19	19
最大負壓 *		
- 吸塵器	百帕 230	211
- 渦輪	百帕 254	242
最大體積流量 *		
- 吸塵器	升 / 秒 36	31
	m ³ /s 0.036	0.031
- 渦輪	升 / 秒 74	71
	m ³ /s 0.074	0.071
最大吸力	瓦 1380	1150
平折式濾網的總面積	m ² 0.615	0.615
粉塵等級	M	M
重量符合 EPTA- Procedure 01:2014	公斤 12.4	12.4
絕緣等級	⊕ / I	⊕ / I
保護種類	IP X4	IP X4

* 以直徑為 \varnothing 35 mm、長度為 5 m 的吸塵軟管進行測量。

** 本說明書提供的參數是以 230 伏特為依據，於低電壓地區，此數據有可能不同。

自動開始 / 停止運轉 *

	額定電壓	最大功率	最小功率
AU	220 - 240 伏特	2200 瓦	100 瓦
CN	110 伏特	750 瓦	100 瓦

* 所連接之電動工具的允許連接功率相關說明（視國別而有所差異）

安裝

▶ 在吸塵器上進行任何維修的工作之前，務必先從插座上拔出插頭。

安裝吸塵軟管固定架（參考插圖 A）

- 從上方將吸塵軟管固定架 4 推入至專門為其設置的支座 32，直到牢牢卡上。

安裝吸管（參考插圖 B）

- 把吸管 24 裝入吸管接頭 3 中。順著時針的轉向擰轉吸管至無法繼續擰入為止。

指示：吸塵時，因吸塵軟管內與吸塵配件內的灰塵相互摩擦形成靜電，使用者能感覺其靜電釋放（視環境因素和身體感受而定）。

博世建議您：抽吸微塵和乾燥物質時原則上請使用抗靜電的吸塵軟管（配件）。

安裝吸塵器配件 (參考插圖 C)

吸塵軟管 24 具有卡夾系統，用以連接吸塵配件（工具接管 22、抽吸彎頭 23）。

安裝工具接管

- 將工具接管 22 插在吸塵軟管 24 上，直至聽見吸塵軟管的兩個按鈕 33 卡上的聲音。
- 拆卸時，將按鈕 33 往內按壓，然後拔開零組件即可。

安裝吸頭和管子。

- 將抽吸彎頭 23 插在吸塵軟管 24 上，直至聽見吸塵軟管的兩個按鈕 33 卡上的聲音。
- 然後將所需吸塵配件（地板吸頭、隙縫吸頭、吸管等）牢牢插在抽吸彎頭 23 上。
- 拆卸時，將按鈕 33 往內按壓，然後拔開零組件即可。

裝入 / 取出集塵袋 (乾式抽吸)**(參考插圖 D1 - D2)**

若要以乾式吸塵方式吸除粉塵等級 M 的物質，您必須裝入拋棄式集塵袋 25 或一般集塵袋。

吸除的物質若測不出暴露濃度或其暴露濃度 $\geq 1 \text{ mg/m}^3$ (即等於粉塵等級 L)，則它有可能會直接進入容器。

指示： 若使用的集塵袋是紙類材質，那麼您必須關閉濾網自動清潔功能 (AFC)；若使用的集塵袋是纖維材質，則最好關閉此功能 (請參閱 "停用 AFC 功能"，第 28 頁)。

警告 吸塵器集存有有害健康的廢塵。傾倒廢塵和維修機器，包括處理廢棄的集塵容器等工作，都只能交給專業人員執行。操作時得穿戴合適的防護裝備。未安裝好完整的過濾系統之前切勿使用吸塵器。否則會危害您的健康。

裝入拋棄式集塵袋

- 打開封閉門 13 並拿下吸塵器蓋 12。
- 將拋棄式集塵袋 25 的裝填口朝前，然後置入容器 1 內。
- 將裝填口套在連接凸緣上並卡在連接凸緣的凹陷位置中。
- 請確認，拋棄式集塵袋 25 應整個緊貼在容器內壁 1 上。
- 將拋棄式集塵袋的剩餘部分 25 撐開在容器邊緣 1 上。
- 再度裝回吸塵器蓋 12 並關好吸塵器蓋的封閉門 13。

取出並封好拋棄式集塵袋

- 打開封閉門 13 並拿下吸塵器蓋 12。
- 拋棄式集塵袋 25 裝滿後，將它往後拉開從連接凸緣上取下。

- 小心地將拋棄式集塵袋 25 從吸塵器上取下，但切勿造成拋棄式集塵袋破損。同時請注意，拋棄式集塵袋不可刮擦到連接凸緣或其他尖銳物品。
- 撕下雙面膠保護層，將拋棄式集塵袋封黏好。然後再將撕下來的雙面膠保護層，綁死在拋棄式集塵袋 25 的裝填口下方處。

更換 / 安裝集塵袋 (附件)

- 打開封閉門 13 並拿下吸塵器蓋 12。
- 把已經被填滿的集塵袋 從接頭法蘭上向後拉出。掀回蓋子蓋住集塵袋上的開口。從吸塵器中拿出已經蓋好蓋子的集塵袋。
- 將新的集塵袋套捲在吸塵器的連接法蘭上。請確認，集塵袋整個長度都緊貼在容器內壁 1 上。
- 再度裝回吸塵器蓋 12 並關好吸塵器蓋的封閉門 13。

裝入唇形橡膠密封條 (吸汲液體)**(參考插圖 E)**

指示： 此防塵等級 (粉塵等級 M) 的認證僅適用於乾式抽吸。

- 利用適當的工具將刷條 29 從地板吸頭 30 中撬出。
- 將唇形橡膠密封條 28 裝入至地板吸頭 30 內。

指示： 唇形橡膠密封條有咬花的一面必須朝外。

加掛 L-Boxx 系統工具箱 (參考插圖 F)

搬運吸塵器或收納吸塵器配件及 / 或電動工具時，為節省空間，您可在吸塵器上半部加掛一個 L-Boxx 系統工具箱。

- 請直接將 L-Boxx 系統工具箱卡入支座 11。
- ▶ **加掛 L-Boxx 系統工具箱後，請勿從工具箱的搬運把手提起吸塵器。** L-Boxx 系統工具箱的搬運把手無法撐住吸塵器的重量。可能會造成人員受傷或物品損壞。

操作**操作機器**

▶ **注意電源的電壓！** 電源的電壓必須和吸塵器銘牌上標示的電壓一致。

▶ **請遵循所在地關於處理有害廢塵的適用規範 / 法律。**

本吸塵器可以吸集以下的物體：

- 暴露濃度 $\geq 0.1 \text{ mg/m}^3$ 的粉塵

基本上本吸塵器不可以用在有爆炸危險的場所使用。

如未使用，請關閉吸塵器以節省電源。

為確保能達到最佳吸塵效能，吸塵軟管 24 必須隨時整個從吸塵器上方零組件 12 上展開。

28 | 中文

乾式抽吸**吸除沉積的灰塵**

- 請將體積流量調節器 6 調為您所使用的軟管管徑。
- 若要**開啟**吸塵器，請將操作模式選擇開關 7 移至 "吸塵" 符號上。



1

- 若要**關閉**吸塵器，請將操作模式選擇開關 7 移至 "關閉" 符號上。

0

吸塵器上有搭載體積流量監測裝置。操作模式設為 "吸塵" 時，體積流量監測裝置固定設為 20 m/s，這與體積流量調節器 6 的設定完全無關。

一旦低於此值（例如當吸塵軟管被塵垢堵住、集塵袋已滿或平折式濾網塞住時），機器將發出警告聲。發生這種情況時，請關掉吸塵器，然後按照 "排除故障" 小節中的說明逐項檢查。

吸除電動工具運轉時產生的灰塵（參考插圖 G）

- ▶ **空間內若有噴出氣體，則室內必須要有足夠的通風。請注意相關的國內規定。**

吸塵器有內建一個接地插座 5。您可從該處連接外部電動工具。請注意所連接之電動工具的最大允許連接功率。

已連接之電動工具不得低於最低體積流量，這是為了確保吸塵點上具有充足的吸力能夠移動粉塵。

軟管管徑	體積流量設定值
35 毫米	57.9 米 ³ /小時
22 毫米	41.2 米 ³ /小時
15 毫米	12.7 米 ³ /小時

- 請將體積流量調節器 6 調為您所使用的軟管管徑。
 - 安裝工具接管 22（請參閱 "安裝工具接管"，第 27 頁）。
 - 將工具接管 22 插入電動工具的抽吸套管內。
 - 若要吸塵器**自動開始/停止運轉**，則須將操作模式選擇開關 7 移至 "自動開始/停止運轉" 符號上。
- 在此操作模式下，將依照調節器 6 的設定，對體積流量採取電子監控。設定正確才能確保具有充足的吸力能夠移動粉塵。
- 欲 **開動** 吸塵器時，得啟動連接在插座 5 上的電動工具，此時吸塵器會自動連動。
 - 關閉電動工具，以 **結束抽吸功能**。自動開始/停止運轉的持續運轉功能將長達 15 秒鐘，以抽出吸塵軟管內殘留的灰塵。
 - 若要**關閉**吸塵器，請將操作模式選擇開關 7 移至 "關閉" 符號上。



1+

0

機器若發出警告聲，則必須按照 "排除故障" 小節中的說明逐項檢查吸塵器。

吸汲液體

- ▶ **不可以使用吸塵器吸集易燃或易爆的液體，例如汽油、油、酒精、稀釋劑。不可以吸集炙熱或燃燒中的灰塵。不可以有在爆炸危險的場所使用吸塵器。**

上述灰塵，蒸氣或液體可能自燃或爆炸。

- ▶ **不可以使用吸塵器充當水泵。** 本吸塵器適合吸集混雜的氣體和吸汲混雜的液體。
- ▶ **在吸塵器上進行任何維修的工作之前，務必先從插座上拔出插頭。**

指示： 此防塵等級（粉塵等級 M）的認證僅適用於乾式抽吸。

- 進行濕式吸塵前，請拆除拋棄式集塵袋 25 或一般集塵袋，並清空容器 1。

指示： 欲吸除的物質如果同時摻雜固體及液體，請使用濕式吸塵專用濾袋（配件），它可隔離固體及液體，方便您丟棄。

- 請將唇形橡膠密封條裝入地板吸頭內（請參閱 "裝入唇形橡膠密封條"，第 27 頁）。
- 請關閉濾網自動清潔（AFC）功能（請參閱 "停用 AFC 功能"，第 28 頁）。

吸塵器上有搭載粉塵滿載感應器 37。達到最高裝填高度時，吸塵器就會自動停機。請將操作模式選擇開關 7 移至 "關閉" 符號上。

指示： 萬一吸到不導電的液體（例如切削液、油液或固態油脂）時，吸塵器的容器裝滿後將不會自動停機。必須經常檢查集塵累積量並及時清空容器。

進行濕式吸塵時機器會發出警告聲，這不會影響吸塵器功能的安全性。此時不必採取任何故障排除措施。

- 如要移動吸塵器，請將密封塞 2 轉入軟管接口 3。
- 進行濕式吸塵後，為避免發霉：
 - 取出平折式濾網 26，讓它徹底風乾。
 - 將吸塵器上半部 12 取下、打開濾網護蓋 36，也讓他們徹底風乾。

濾網清潔功能**濾網自動清潔功能（參考插圖 H）**

使用濾網自動清潔功能（AFC, Automatic Filter Cleaning）時，每隔 15 秒鐘會以噴氣方式噴洗平折式濾網 26（會聽見規律的雜音）。

最遲在吸塵功效慢慢減弱時，務必啟動此功能。

定時使用濾網清潔功能可提升濾網的耐用度。

為了讓濾網保有最佳耐用度，請您只在某些例外狀況下才停用濾網自動清潔功能，例如欲吸除的物質純粹只有液體時、或者使用紙類材質的集塵袋時。

平折式濾網即使表面髒污還是能發揮應有作用。您不必以敲拍或吹氣方式親自清潔平折式濾網，這樣做反而可能造成濾網損壞。

指示： 出廠時機器已設為開啟濾網自動清潔功能。機器必須開機才能開啟/關閉濾網自動清潔功能。

- **停用 AFC 功能**
按一下 AFC 按鈕 9。
LED 指示燈 35 熄滅。

- 啟用 AFC 功能
按一下 AFC 按鈕 9。
LED 指示燈 35 亮綠燈。

維修和服務

維修和清潔

- ▶ 在吸塵器上進行任何維修的工作之前，務必先從插座上拔出插頭。
- ▶ 吸塵器和通氣孔必須隨時保持清潔，以確保工作效率和工作安全。
- ▶ 維修和清潔吸塵器時，請戴上防塵面罩。

如果必須更換連接線，務必把這項工作交給博世或者經授權的博世電動工具顧客服務執行，以避免危害機器的安全性能。

每年至少一次，得由製造商或經過培訓的人員進行一次吸塵功能的檢查，例如檢查過濾器是否有毀損，吸塵器的密閉性以及控制裝備的功能等。

M 等級吸塵器只要曾暴露在高污染環境中，就必須仔細清潔其外殼以及機器所有部位，或者請您用密封材料仔細包好。待維修保養時，已髒污的部件若無法完全清潔乾淨，就必須全部丟棄。這些部件必須丟置在該物之現行廢棄法規規定必須使用的防滲透袋內。

操作者自行維修吸塵器時要先拆開吸塵器，然後在可執行的範圍內進行清潔的工作，清潔時絕對不可以對維修者本身或他人造成危險。拆開吸塵器之前應該先清洗吸塵器，以避免可能發生的危險。拆開吸塵器的場所必須保持通風良好。進行維修時得穿戴好個人的防護裝備。維修後應該要能夠達到徹底清潔維修部位的效果。

取出 / 更換平折式濾網 (參考插圖 11 - 12)

- 平折式濾網 26 如有受損，請立即更換。
- 從鎖栓 18 位置拔起，然後打開濾網護蓋 36。

排除故障

問題	處理措施
吸塵渦輪機未運轉。	- 全面檢查電源線、電源插頭、保險絲、插座和粉塵滿載感應器 37。 操作模式選擇開關 7 位於 "自動開始 / 停止運轉" 上。 - 將操作模式選擇開關 7 移至 "吸塵" 符號，或啟動連接在插座 5 上的電動工具。
吸塵渦輪機關閉。	- 清空容器 1。
吸塵渦輪機在容器清空後未重新運轉。	- 關閉吸塵器，等候 5 秒鐘後再重新啟動。 - 請用刷子清潔粉塵滿載感應器 37 以及粉塵滿載感應器 37 的間隙。

- 從邊緣處拿取平折式濾網 26，然後將它往上取出。
- 用濕布擦掉取出平折式濾網 26 時掉落在濾網護蓋 36 邊框上的粉塵與髒污。
PES 與 PTFE 材質的平折式濾網可以直接用流水沖洗。
- 裝入全新或已清洗乾淨的平折式濾網 26，此時請留意安裝位置務必正確並且已固定牢靠。
- 重新關上濾網護蓋 36 (必須聽見卡止聲)。

集塵箱

必須不定時地使用一般市面上的溫和清潔劑擦拭集塵箱 1，並讓它徹底風干。

液面探測設備 (參考插圖 J)

偶爾得清潔液面探測設備 37。

- 打開封閉門 13 並拿下吸塵器蓋 12。
- 使用柔軟的布清潔液面探測設備 37。
- 再度裝回吸塵器蓋 12 並關好吸塵器蓋的封閉門 13。

存放和搬運 (參考插圖 K)

- 將電源線纏繞在纜線固定架 17 上。
- 將配件插在專門為其設置的固定架上：吸管 31 插入固定架 19、隙縫吸頭 27 插入固定架 20、地板吸頭 30 插入固定架 21。
- 鬆開吸塵軟管固定架 4 的鬆緊帶，然後將吸塵軟管 24 繞著吸塵器上半部並固定在固定架 4 中。
重新掛好鬆緊帶。
- 請直接將 L-Boxx 系統工具箱卡入支座 11。
- 搬運吸塵器前，請先取出已裝滿的拋棄式集塵袋一般集塵袋，或者請您清掉收集到的液體，以免背部受傷。
提起吸塵器時僅能抓住搬運把手 10。
- 如要移動吸塵器，請將密封塞 2 轉入軟管接口 3。
- 將吸塵器放置在乾燥空間內，並避免他人未經許可使用。
- 踩下轉向滾輪煞車器 15 以固定住轉向滾輪 16。

30 | 中文

問題	處理措施
吸力降低。	<ul style="list-style-type: none"> - 清除吸頭、吸管 31、吸塵軟管 24 或平折式濾網 26 內的阻塞物。 - 更換拋棄式集塵袋 25 或一般集塵袋。 - 正確卡入濾網護蓋 36。 - 正確套上吸塵器上方零組件 12，並鎖上鎖扣 13。 - 更換平折式濾網 26。
吸塵時有灰塵逸出	<ul style="list-style-type: none"> - 請檢查平折式濾網 26 是否安裝正確。 - 更換平折式濾網 26。
自動斷開裝置（濕式吸塵）未跳開。	<ul style="list-style-type: none"> - 請用刷子清潔粉塵滿載感應器 37 以及粉塵滿載感應器 37 的間隙。在處理不會導電的液體或產生泡沫時，自動斷開裝置未發揮作用。 - 請定期檢查裝填狀態。
機器發出警告聲。	<p>所設定的吸力過小。</p> <ul style="list-style-type: none"> - 將吸力調節器 8 調至更大值。 <p>所設定的軟管管徑錯誤。</p> <ul style="list-style-type: none"> - 將體積流量調節器 6 調至正確的吸塵軟管管徑。 <p>吸塵軟管 24 堵塞或折彎。</p> <ul style="list-style-type: none"> - 請排除堵塞或折彎狀況。 <p>拋棄式集塵袋 / 一般集塵袋已滿。</p> <ul style="list-style-type: none"> - 更換拋棄式集塵袋 25 或一般集塵袋。 <p>平折式濾網 26 髒污。</p> <ul style="list-style-type: none"> - 清潔平折式濾網，必要時請更換之。 <p>流經所連接之電動工具的氣流不足。</p> <ul style="list-style-type: none"> - 打開工具接管 22 的漏風開口 34： <ul style="list-style-type: none"> 旋轉工具接管上的圓環，讓漏風開口完全打開。 - 如有的話：請打開電動工具的漏風開口。 <p>監測電子裝置的功能異常。</p> <ul style="list-style-type: none"> - 聯系經過授權的博世顧客服務中心。
濾網自動清潔功能未運作。	<ul style="list-style-type: none"> - 請啟用濾網清潔功能（按一下 AFC 按鈕 9）。 - 接上吸塵軟管 24。
無法關閉濾網自動清潔功能。	<ul style="list-style-type: none"> - 聯系經過授權的博世顧客服務中心。
無法開啟濾網自動清潔功能。	<ul style="list-style-type: none"> - 聯系經過授權的博世顧客服務中心。

顧客服務處和顧客諮詢中心

本公司顧客服務處負責回答有關本公司產品的修理、維護和備件的問題。以下的網頁中有爆炸圖和備件的資料：

www.bosch-pt.com

博世顧客諮詢團隊非常樂意為您解答有關本公司產品及附件的問題。

當您需要諮詢或訂購備用零組件時，請務必提供本產品型號銘牌上的 10 位項目編號。

台灣

台灣羅伯特博世股份有限公司

建國北路一段 90 號 6 樓

台北市 10491

電話：(02) 2515 5388

傳真：(02) 2516 1176

www.bosch-pt.com.tw

制造商地址：

Robert Bosch Power Tools GmbH
羅伯特·博世電動工具有限公司
70538 Stuttgart / GERMANY
70538 斯圖加特 / 德國

處理廢棄物

必須使用符合環保要求的方式處理廢棄的吸塵器，附件和包裝材料。

吸塵器不可以丟棄在一般的家庭垃圾中！

保留修改權。

한국어

안전 수칙



모든 안전수칙과 지시 사항을 상세히 읽고 지켜야 합니다. 다음의 안전수칙과 지시 사항을 준수하지 않으면 화재 위험이 있으며 감전 혹은 중상을 입을 수 있습니다.

이 사용 설명서를 잘 보관하십시오.

▶ **본 진공청소기는 어린이나 정신지체 및 신체 부자유자, 혹은 경험이나 지식이 부족한 사람이 사용하기에 적합하지 않습니다.** 이를 지키지 않을 경우, 오작동과 부상의 위험이 따릅니다.

▶ **어린이는 감독이 필요합니다.** 진공청소기를 가지고 장난치는 일이 없도록 해야 합니다.

경고 진공청소기의 사용 방법, 흡입할 소재 및 이를 안전하게 제거할 수 있는 방법에 대한 정보를 충분히 숙지한 상태에서만 진공청소기를 사용하십시오. 사용에 대한 상세한 지침을 통해 오작동 및 부상을 방지할 수 있습니다.

경고 본 진공청소기는 건식 흡입에 적합하며, 적절한 조치를 통해 습식 흡입도 가능합니다. 유체가 기기 내에 들어가면 감전의 위험이 높습니다.

▶ 진공청소기를 가솔린, 오일, 알코올, 용매 등 가연성 혹은 폭발성 유체에 사용해서는 안됩니다. 고온의 가연성 분진을 흡입해서도 안됩니다. 진공청소기를 폭발 위험이 있는 장소에서 사용하지 마십시오. 분진, 증기 및 유체로 인해 화재가 발생하거나 폭발할 수 있습니다.

경고 사용 설명서에 규정된 용도로만 소켓을 사용하십시오.

경고 거품이나 물이 새어 나오면 즉시 진공청소기의 스위치를 끄고 용기를 비우십시오. 그렇게 하지 않으면 진공청소기가 손상될 수 있습니다.

주의 진공청소기는 실내에서만 보관해야 합니다.

주의 액체 주입 레벨 센서를 정기적으로 청소하고 센서가 손상되었는지 점검하십시오. 그렇지 않을 경우 센서 기능이 제대로 작동하지 않을 수 있습니다.

▶ 진공청소기를 습기 찬 곳에서 사용해야 할 경우에는 누전 차단기를 사용하십시오. 누전차단기를 사용하면 감전 위험을 줄일 수 있습니다.

▶ 진공청소기를 규정에 맞게 접지된 배선망에 연결하여 사용하십시오. 콘센트와 연장 코드에는 보호 도체의 기능이 있어야 합니다.

▶ 작업하기 전에 진공청소기, 전원 코드 그리고 플러그가 손상되지 않았는지 확인해 보고, 손상되었으면 진공청소기를 사용하지 마십시오. 진공청소기를 스스로 직접 분해하지 말고 전문 전기기사에게 맡겨 보쉬 순정 액세서리만을 사용하여 수리하도록 하십시오. 손상된 진공청소기, 전원 코드 및 플러그를 사용하면 감전 위험이 높습니다.

▶ 전원 코드 위로 다니거나 코드가 접히지 않도록 하십시오. 전원 콘센트에서 플러그를 빼거나 진공청소기를 움직이려할 때 전원 코드를 잡고 당기지 마십시오. 손상된 코드로 인해 감전이 생길 수 있습니다.

▶ 진공청소기를 유지보수하거나 세척하기 전, 기기를 설정하거나 부속품을 교체하기 전, 그리고 청소기 사용 후 보관할 시에는 전원 코드에서 플러그를 뽑으십시오. 이 예방대책은 청소기가 불필요하게 작동되거나 제품이 고장나는 것을 방지합니다.

▶ 작업장에 환기가 잘 되도록 하십시오.

▶ 진공청소기의 수리는 반드시 전문 인력에게 맡기고 수리 정비 시 보쉬 순정 부품만을 사용하십시오. 그렇게 함으로써 진공청소기의 안정성을 오래 유지할 수 있습니다.

경고 진공청소기에는 건강에 유해한 분진이 들어 있을 수 있으므로 분진 컨테이너 제거를 포함하여 분진을 비우거나 기기 정비를 하려면 반드시 전문 인력에게 맡기십시오. 이에 적합한 보호장비가 필요합니다. 완전한 필터 시스템 없이 진공청소기를 작동하지 마십시오. 그렇지 않으면 건강을 해칠 수 있습니다.

▶ 작동하기 전에 흡입 호스에 이상이 없는지 확인해 보십시오. 이때 분진이 나오지 않도록 진공청소기에 흡입 호스를 조립하십시오. 그렇지 않으면 분진을 호흡할 수 있습니다.

▶ 진공청소기 위에 앉지 마십시오. 진공청소기가 손상될 수 있습니다.

▶ 전원 케이블과 흡입 호스를 조심스럽게 사용하십시오. 그렇지 않으면 다른 사람에게 위험할 수 있습니다.

▶ 진공청소기에 직접 물을 뿌려 닦지 마십시오. 청소기 상부를 통해 내부로 물이 들어가면 감전될 위험이 높습니다.

32 | 한국어

기호

다음의 기호는 귀하의 진공청소기를 사용하는데 있어 중요하므로 기호와 그 의미를 잘 기억해 두십시오. 기호를 제대로 이해하면 진공청소기를 더욱 쉽고 안전하게 사용할 수 있습니다.

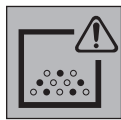
기호와 의미



주의 모든 안전수칙과 지시 사항을 상세히 읽고 지켜야 합니다. 다음의 안전수칙과 지시 사항을 준수하지 않으면 화재 위험이 있으며 감전 혹은 중상을 입을 수 있습니다.



IEC/EN 60335-2-69 에 따라 건강에 유해한 먼지를 노출 한계값 $\geq 0.1 \text{ mg/m}^3$ 으로 **건식 흡입**하기 위한 용도의 분진 등급 M의 진공청소기



경고 진공청소기에는 건강에 유해한 분진이 들어 있을 수 있으므로 분진 컨테이너 제거를 포함하여 분진을 비우거나 기기 정비를 하려면 반드시 전문 인력에게 맡기십시오. 이에 적합한 보호장비가 필요합니다. 완전한 필터 시스템 없이 진공청소기를 작동하지 마십시오. 그렇지 않으면 건강을 해칠 수 있습니다.



시작 / 멈춤 자동기능

작동하는 전동공구에서 발생하는 먼지 흡입하기
진공청소기는 자동으로 켜진 뒤 시간이 지체되면 다시 꺼집니다

1+

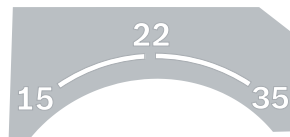
0

스위치 끄기

1

흡입작업

쌓인 먼지 흡입하기

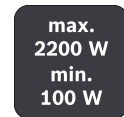


기호와 의미

15	호스 직경이 15 mm 일 때 체적 유량 확인
22	호스 직경이 22 mm 일 때 체적 유량 확인
35	호스 직경이 35 mm 일 때 체적 유량 확인



Min/Max 흡입력 제어 가능 :
- 먼지 발생이 심할 때 적용할 수 있는 최대 흡입 출력
- 먼지 발생이 적을 때 및 전동공구와 가공물 표면 사이에서 흡입력을 조절하기 위해 적용할 수 있는 저감된 흡입 출력 (예 : 연마작업 시)



연결된 전동공구의 허용 접속 부하 (국가별)



AFC 자동 필터 청소장치 (AFC = Automatic Filter Cleaning)



최대 1 L-Boxx 만 끼우십시오. L-Boxx 전체 내용물의 중량은 15 kg 을 초과해서는 안됩니다.



▶ 예를 들어 진공청소기를 운반할 때 기중기를 사용하여 운반하지 마십시오. 진공청소기는 기중기를 이용할 수 없습니다. 부상과 손상의 위험이 따릅니다.

기호와 의미



▶ **진공청소기 위에 앉거나 밟고 올라가서는 안됩니다.** 진공청소기의 기능이 약화되거나 손상될 수 있습니다. 부상 위험도 따릅니다.

제품 및 성능 소개

사용 설명서를 읽는 동안 진공청소기의 그림이 나와 있는 접힌 면을 펴 놓고 참고하십시오.

규정에 따른 사용

본 기기는 대패 톱밥 및 비가연성의 건조한 분진, 비가연성 액체 및 수분-공기 혼합물질을 수집, 흡입, 운반 및 저장하는 용도로 사용됩니다. 본 진공청소기는 분진 기술에 따라 테스트되었으며 분진 등급 M에 해당됩니다. 수공업계, 산업계 및 작업장 등에서 그 수요가 증가함에 따라 상업적 용도로 사용하기에 적합합니다.

분진 등급 M의 진공청소기는 IEC/EN 60335-2-69에 따라 건강에 유해한 먼지를 노출 한계값 $\geq 0.1 \text{ mg/m}^3$ 으로 흡입 및 배출하기 위한 용도로만 사용할 수 있습니다.

진공청소기의 모든 기능을 완전히 익혀 아무 문제없이 사용이 가능하거나 적당한 지시를 받은 사람만이 기기를 사용해야 합니다.

제품의 주요 명칭

제품의 주요 명칭에 표기되어 있는 번호는 진공청소기의 그림이 나와있는 면을 참고하십시오.

- 1 용기
- 2 배출 연결부용 씰링 플러그
- 3 호스 연결부위
- 4 흡입 호스 홀더
- 5 전동공구용 전원 콘센트
- 6 체적 유량 레귤레이터
- 7 작동모드 선택 스위치
- 8 흡입 출력 조절 장치
(품목번호 3 601 JC3 170)
- 9 AFC 버튼
- 10 운반용 손잡이
- 11 L-Boxx 리테이너
- 12 진공청소기 뚜껑
- 13 진공청소기 뚜껑 잠금쇠
- 14 작동 휠
- 15 가이드 롤러 브레이크
- 16 가이드 롤러
- 17 케이블 걸이
- 18 필터 커버 마개
- 19 흡입관 홀더
- 20 틈새 흡입구 / 흡기다기관용 홀더

- 21 바닥노즐 홀더
- 22 공구 슬리브
- 23 흡입관 엘보우
- 24 흡입 호스
- 25 폐기물 봉투
- 26 필터(PES)
- 27 틈새흡입구
- 28 고무 립
- 29 브러쉬 스트립
- 30 흡입구
- 31 흡입관
- 32 흡입 호스 홀더 리테이너
- 33 누름 버튼
- 34 공기 통풍구
- 35 제어 LED
- 36 필터 커버
- 37 주입 레벨 센서

도면이나 설명서에 나와있는 액세서리는 표준 공급부품에 속하지 않습니다. 전체 액세서리는 저희 액세서리 프로그램을 참고하십시오.

제품 사양

습식 / 건식 흡입기	GAS 35 M AFC	
제품 번호		
3 601 JC3 1..	... 170
정격 전압	V	220-240**
소비 전력	W	1200 1000
주파수	Hz	50/60 50/60
용기 용량 (최대)	l	35 35
순 부피 (액체)	l	19 19
먼지 백 용량	l	19 19
최대 진공 *		
- 흡입관	hPa	230 211
- 터빈	hPa	254 242
최대 체적 유량 *		
- 흡입관	l/s	36 31
	m ³ /s	0.036 0.031
- 터빈	l/s	74 71
	m ³ /s	0.074 0.071
최대 흡입 출력	W	1380 1150
필터 표면	m ²	0.615 0.615
분진 등급		M M
EPTA 공정 01:2014 에 따른 중량	kg	12.4 12.4
안전 등급		⊕/I ⊕/I
보호 등급		IP X4 IP X4

* 직경 길이가 35 mm 및 5 m 인 흡입 호스로 측정

** 정격 전압 [U] 230 V에 해당됩니다. 전압이 더 낮을 경우 및 국가별 사양에 따라 변동이 있을 수 있습니다.

34 | 한국어

시작 / 멈춤 자동기능 *

	정격 전압	최대 출력	최소 출력
AU	220-240 V	2200 W	100 W
CN	110 V	750 W	100 W

* 연결된 전동공구의 허용 접속 부하 (국가별)

조립

▶ 진공청소기에 보수 정비작업을 하기 전에 반드시 콘센트에서 전원 플러그를 빼 놓으십시오.

흡입 호스 홀더 장착하기 (그림 A 참조)

- 흡입 호스 홀더 4 를 위쪽에서 해당 리테이너 32 로 밀어 내려 맞물리게 하십시오.

흡입 호스 조립하기 (그림 B 참조)

- 흡입 호스 24 를 호스 연결부위 3 에 끼우고 이를 시계 방향으로 끝까지 돌리십시오.

주의: 흡입 시 흡입 호스와 흡입 부품 안의 먼지 마찰로 인해 정전기가 발생하는데, 작업자는 이를 주의해서 사용해야 합니다 (환경적 영향과 신체 감각에 따라 달라짐).

보쉬는 일반적으로 미세 먼지와 건조 물질의 흡입 시 정전방지용 흡입 호스 (별매 액세서리) 를 사용할 것을 권장합니다.

부속품 조립하기 (그림 C 참조)

흡입 호스 24 는 클립 시스템이 장착되어 있어서 흡입 부속품 (공구 슬리브 22, 흡기관 엘보우 23) 에 연결할 수 있습니다.

공구 슬리브 장착하기

- 공구 슬리브 22 를 흡입 호스 24 에 끼울 때, 흡입 호스의 양쪽 누름 버튼 33 이 맞물려 고정되는 소리가 들려야 합니다.
- 분리할 때는 누름 버튼 33 을 안쪽으로 눌러 부품들을 분리합니다.

노즐 및 관 장착하기

- 흡기관 엘보우 23 을 흡입 호스 24 에 끼울 때, 흡입 호스의 양쪽 누름 버튼 33 이 맞물려 고정되는 소리가 들려야 합니다.
- 그리고 나서 적합한 흡입 부품 (바닥노즐, 틈새노즐, 흡입관 등) 을 흡기관 엘보우 23 에 고정시킵니다.
- 분리할 때는 누름 버튼 33 을 안쪽으로 눌러 부품들을 분리합니다.

폐기물 봉투 또는 먼지봉투 끼우기 / 빼내기 (건식 흡입) (그림 D1-D2 참조)

분진 등급 M 에 맞춰 물질을 건식 흡입하려면 폐기물 봉투 25 또는 분진 주머니를 끼워야 합니다.

노출 한계값 $\geq 1 \text{ mg/m}^3$ (분진 등급 L 과 일치) 이 적용 / 미적용된 재료를 흡입하는 경우, 직접 용기에 흡입할 수 있습니다.

참고: 종이 필터 봉투를 사용할 경우, 플리스 필터 봉투를 사용할 경우 자동 필터 청소장치 (AFC) 를 꺼야 합니다 "AFC 비활성화", 36 페이지 참조).

⚠ 경고 진공청소기에는 건강에 유해한 분진이 들어 있을 수 있으므로 분진 컨테이너 제거를 포함하여 분진을 비우거나 기기 정비를 하려면 반드시 전문 인력에게 맡기십시오. 이에 적합한 보호장비가 필요합니다. 완전한 필터 시스템 없이 진공청소기를 작동하지 마십시오. 그렇지 않으면 건강을 해칠 수 있습니다.

폐기물 봉투 끼우기

- 잠금쇠 13 을 열고 진공청소기 뚜껑 12 를 빼십시오.
- 폐기물 봉투 25 를 주입구가 앞쪽을 향하게 하여 용기 1 에 끼웁니다.
- 연결 플랜지가 깊숙히 들어갈 때까지 주입구를 연결 플랜지 위쪽으로 당기십시오.
- 폐기물 봉투 25 가 용기 1 의 안쪽 벽에 완전히 밀착되도록 하십시오.
- 폐기물 봉투 25 의 나머지 부분을 용기 1 의 가장자리 위에서 가볍게 두드려 넣습니다.
- 진공청소기 뚜껑 12 를 다시 끼우고 잠금쇠 13 을 잠급니다.

폐기물 봉투를 빼내어 밀봉하기

- 잠금쇠 13 을 열고 진공청소기 뚜껑 12 를 빼십시오.
- 딱 찬 폐기물 봉투 25 를 연결 플랜지에서 뒤쪽으로 빼내십시오.
- 폐기물 봉투 25 가 손상되지 않도록 조심스럽게 진공청소기 밖으로 빼냅니다.
폐기물 봉투가 연결 플랜지나 다른 날카로운 대상에 긁히지 않도록 주의하십시오.
- 접착 테이프 커버를 벗겨내고 폐기물 봉투에 부착하십시오.
그리고 나서 폐기물 봉투 25 를 주입구 아래쪽에서 커버를 벗긴 접착 테이프를 이용하여 고정시키십시오.

먼지 백 교환하기 / 끼우기 (별매 액세서리)

- 잠금쇠 13 을 열고 진공청소기 뚜껑 12 를 빼십시오.
- 가득 찬 먼지 백 을 뒤쪽으로 당겨 연결 플랜지에서 빼십시오. 먼지 백의 뚜껑을 아래로 내려 구멍을 닫습니다. 닫혀진 먼지 백을 진공청소기에서 빼십시오.
- 진공청소기의 연결 플랜지 위에 새 먼지봉투를 끼웁니다. 먼지봉투의 전체 길이가 용기 1 의 안쪽 벽에 밀착되도록 하십시오.
- 진공청소기 뚜껑 12 를 다시 끼우고 잠금쇠 13 을 잠급니다.

고무 립 끼우기 (습식 흡입) (그림 E 참조)

주의: 투과율 (분진 등급 M) 에 대한 요구 조건은 건식 흡입용으로만 검증되었습니다.

- 브러쉬 스트립 29 를 적합한 공구를 사용하여 흡입구 줄 30 에서 빼냅니다.
- 고무 립 28 을 흡입구 30 안에 넣습니다.

주의 : 고무 립의 편성면이 바깥쪽을 향하도록 해야 합니다.

L-Boxx 맞추기 (그림 F 참조)

진공청소기의 운반 및 장소 활용도를 높여 진공청소기 액세서리 그리고 / 또는 전동공구를 보관하기 위해 L-Boxx 를 진공청소기 상부에 맞춰 고정시킬 수 있습니다.

- L-Boxx 를 리테이너 **11** 에 끼우십시오.

▶ L-Boxx 운반용 손잡이를 사용하여 진공청소기를 운반하지 마십시오. 진공청소기를 L-Boxx 운반용 손잡이로 운반하면 손잡이에 무리가 갈 수 있습니다. 부상과 손상의 위험이 따릅니다.

작동

기계 시동

- ▶ 공공 배전 전압에 주의! 공급되는 전원의 전압은 진공청소기의 명판에 표기된 전압과 동일해야 합니다.**
- ▶ 인체에 유해한 먼지를 다루는 것과 관련하여 당국의 해당 규정을 살펴 보시기 바랍니다***

진공청소기는 다음과 같은 소재를 흡입 및 배출하는 용도로만 사용할 수 있습니다:

- 노출 한계값 $\geq 01 \text{ mg/m}^3$ 의 분진



진공청소기를 폭발 위험이 있는 곳에서 사용해서는 안 됩니다.

에너지 손실을 방지하기 위해 진공소기를 사용할 때에만 켭니다.

흡입력을 최적화하려면 흡입 호스 **24** 가 항상 진공청소기 뚜껑 **12** 에서 완전히 풀려 있어야 합니다.

건식 흡입

쌍인 먼지 흡입하기

- 체적 유량 레귤레이터 **6** 을 사용한 호스 직경에 맞춰 설정하십시오.
- 진공청소기의 전원을 **켜려면** 작동모드 - 선택 스위치 **7** 을 “진공청소기” 기호에 둡니다.  **1**
- 진공청소기의 전원을 **끄려면** 작동모드 - 선택 스위치 **7** 을 “끄기” 기호에 둡니다.  **0**

진공청소기에는 체적 유량 레귤레이터가 장착되어 있습니다. 체적 유량 감시는 작동 모드 “흡입”에서는 체적 유량 레귤레이터 **6** 의 위치와 관계 없이 20 m/s 값이 사전 확정되어 있습니다.




예를 들어 흡입 호스에 오염물이 쌓이거나 또는 분진 주머니가 꽉 차거나 또는 플랫 폴드 필터가 막혀 이 값에 미달되면, 음향으로 경고 신호가 울립니다. 이 경우 진공청소기를 끄고 “문제 해결” 단락에 기술되어 있는 대로 청소기를 점검하십시오.

작동하는 전동공구에서 발생하는 먼지 흡입하기 (그림 G 참조)

▶ 배기 공기가 다시 공간 안으로 들어갈 경우 공간 내에 충분한 공기 교환 비율 (L) 이 존재해야 합니다. 당국의 해당 규정에 유의하십시오.

진공청소기 안에는 전원 콘센트 **5** 가 내장되어 있습니다. 이 소켓에 외부 전동공구를 연결할 수 있습니다. 연결하는 전동공구의 최대 허용 전력을 확인하십시오. 배출 위치에서 분진을 충분히 운반할 수 있으려면, 연결된 전동공구에 해당되는 최소 체적 유량에 미달되어서는 안됩니다.

호스 직경	체적 유량 설정값
35 mm	57.9 m ³ /h
22 mm	41.2 m ³ /h
15 mm	12.7 m ³ /h

- 체적 유량 레귤레이터 **6** 을 사용한 호스 직경에 맞춰 설정하십시오.
- 공구 슬리브 **22** 를 장착하십시오 (“공구 슬리브 장착하기” 참조, 34 페이지).
- 공구 슬리브 **22** 를 전동공구의 흡입노즐에 꽂으십시오.
- 진공청소기의 **시작/멈춤 자동기능을 작**  **동하려면** 작동모드 - 선택스위치 **7** 을 “시작/멈춤 자동기능”에 둡니다.  **1+**
이 작동 모드에서 체적 유량은 레귤레이터 **6** 의 설정에 맞춰 전자 제어식으로 감시됩니다. 설정을 제대로 선택한 경우 분진이 충분히 집진됩니다.
- 진공청소기를 **작동하려면** 전원 콘센트 **5** 에 연결된 전동공구의 스위치를 켭니다. 진공청소기가 자동으로 작동합니다.
- **흡입을 종료하려면** 전동공구의 전원을 끄십시오. 시작/멈춤 자동기능의 런은 기능은 흡입 호스에서 나머지 먼지들을 빼내기 위해 15 초까지 작동합니다.
- 진공청소기의 전원을 **끄려면** 작동모드 - 선택 스위치 **7** 을 “끄기” 기호에 둡니다.  **0**

음향 경고신호가 울리면, 진공청소기를 “문제 해결” 단락에 기술된 바와 같이 점검해야 합니다.

습식 흡입

▶ 진공청소기를 가솔린, 오일, 알코올, 용매 등 가연성 혹은 폭발성 유체에 사용해서는 안됩니다. 고온의 가연성 분진을 흡입해서도 안됩니다. 진공청소기를 폭발 위험이 있는 장소에서 사용하지 마십시오. 분진, 증기 및 유체로 인해 화재가 발생하거나 폭발할 수 있습니다.

▶ 절대로 진공청소기를 물 펌프로 사용해서는 안됩니다. 진공청소기는 공기와 수분 혼합물을 흡입하는데에만 사용해야 합니다.

▶ 진공청소기에 보수 정비작업을 하기 전에 반드시 콘센트에서 전원 플러그를 빼 놓으십시오.

주의 : 투과율 (분진 등급 M) 에 대한 요구 조건은 건식 흡입용으로만 검증되었습니다.

36 | 한국어

- 습식 흡입 전에 폐기물 봉투 **25** 나 먼지봉투를 빼고 용기 **1** 을 비우십시오.

참고: 폐기 처리가 수월해지도록 수분 - 고체 혼합물 흡입 시 액체를 고체와 분리해주는 습식 필터 봉투(액세서리)를 사용하십시오.

- 고무 립을 바닥노즐에 끼우십시오 (“고무 립 끼우기” 참조, 34 페이지).
- 자동 필터 청소장치(AFC)를 꺼야 합니다 (“AFC 비활성화” 참조, 36 페이지 참조).

진공청소기에는 주입 레벨 센서 **37** 이 장착되어 있습니다. 최대 주입 높이에 도달하면, 진공청소기가 차단됩니다. 작동모드 선택 버튼 **7** 을 “끄기” 기호에 둡니다.

참고: 비도체 용액 (예: 드릴 절삭유, 오일 및 그리스)을 흡입할 경우 용기가 꽉 차 있으면 진공청소기가 차단됩니다. 주입 레벨을 계속해서 점검하여 적시에 용기를 비워야 합니다.

습식 흡입 시 음향 경고신호가 울린 경우, 진공청소기의 기능 안전성에는 아무런 영향을 미치지 않습니다. 해당 장애 발생에 대한 문제 해결책은 필요하지 않습니다.

- 진공청소기를 운반하려면 썰링 플러그 **2** 를 호스 연결부위 **3** 에 체결하십시오.

습식 흡입 후 곰팡이 발생을 방지하기 위해 다음과 같이 합니다

- 필터 **26** 을 분리하여 마찬가지로 잘 건조시켜 줍니다.
- 진공청소기 뚜껑 **12** 를 떼어내서 필터 커버 **36** 을 열고 두 가지 부품을 잘 건조시키십시오.

자동 필터 청소장치**자동 필터 청소장치 (그림 H 참조)**

자동 필터 청소장치 (AFC = Automatic Filter Cleaning)의 경우 15 초마다 공기가 분사되어 필터 **26** 의 청소가 이루어집니다 (맥동 소음).

흡입 성능이 충분하지 않게 되면 필터 청소 시스템을 작동해야 합니다.

주기적으로 필터 청소장치를 사용하면 필터의 수명이 길어집니다.

필터 수명을 최대한 높이려면 순수 용액 흡입 또는 종이 필터 봉투 사용 등의 예외적인 경우에만 자동 필터 청소장치를 비활성화시키십시오.

필터의 표면에만 오염물질이 묻어 있는 경우 작동에는 아무런 이상이 없습니다. 먼지를 털어내거나 공기를 불어 넣어 수동으로 필터를 청소할 필요는 없으며 수동으로 필터를 청소할 경우 필터가 손상될 수 있습니다.

참고: 자동 필터 청소장치는 출고 시부터 켜져 있습니다.

기기가 켜져 있는 상태에서만 자동 필터 청소장치를 켜거나 / 끌 수 있습니다.

- **AFC 비활성화**
AFC 버튼 **9** 를 누르십시오.
제어 LED **35** 가 소등됩니다.

- **AFC 활성화**
AFC 버튼 **9** 를 누르십시오.
제어 LED **35** 가 녹색으로 점등됩니다.

보수 정비 및 서비스**보수 정비 및 유지**

▶ **진공청소기에 보수 정비작업을 하기 전에 반드시 콘센트에서 전원 플러그를 빼 놓으십시오.**

▶ **안전하고 올바른 작업을 위하여 진공청소기와 그 환기구를 항상 깨끗이 유지하십시오.**

▶ **진공청소기 손질 및 청소 시 먼지방지 마스크를 착용하십시오.**

연결 코드를 교환해야 할 경우 안전을 기하기 위해 보쉬사나 보쉬 지정 전동공구 서비스 센터에 맡겨야 합니다.

제조사나 교육받은 직원이 필터 손상 여부, 진공청소기 밀폐성 및 제어장치 기능 등 분진기술적인 검사를 최소한 매년 1 회 실시해야 합니다.

주변이 더러운 진공 청소기의 등급이 **M** 인 경우, 외부 및 모든 장치 부품을 청소하거나 썰링제를 바르십시오. 유지보수 작업 및 수리 작업을 진행할 때 충분히 세척되지 않은 모든 더러운 부품은 폐기해야 합니다. 이러한 부품은 해당 유형의 폐기물 제거에 맞는 유효한 규정에 맞춰 비투과성 주머니에 폐기해야 합니다.

작업자나 다른 사람들에게 위험하지 않은 범위에서, 사용자가 진공청소기를 분해하여 닦고 보수 정비해야 합니다. 진공청소기를 분해하기 전에 만일의 위험을 예방하기 위해 깨끗이 닦아 주십시오. 진공청소기를 분해하는 공간에 환기가 잘 되도록 해야 합니다. 보수 정비 작업 시 개인 안전복장을 착용하십시오. 보수 정비 후에 작업장을 깨끗이 청소해야 합니다.

필터 빼내기 / 교체하기 (그림 I1-I2 참조)

손상된 필터 **26** 은 즉시 교체하십시오.

- 마개 **18** 을 당겨 필터 커버 **36** 을 여십시오.
- 돌기에서 필터 **26** 을 잡고 위쪽으로 빼내십시오.
- 필터 **26** 을 빼낼 때 발생한 먼지 및 오염 물질을 젖은 천을 이용하여 필터 커버 **36** 의 잠금 부위에서 제거하십시오.
PES 필터 및 PTFE 필터는 흐르는 물에 청소할 수 있습니다.
- 새 필터 또는 청소한 필터 **26** 을 정확한 위치에 안전하게 끼우십시오.
- 필터 커버 **36** 을 다시 닫으십시오 (맞물려 잠기는 소리가 나야 함).

용기

때때로 용기 **1** 을 시중에서 판매하는 굵힘 방지용 세척제를 사용하여 닦은 후에 잘 말리십시오.

수평 (그림 J 참조)

가끔 주입 레벨 센서 **37** 을 닦아 주십시오.

- 잠금쇠 **13** 을 열고 진공청소기 뚜껑 **12** 를 빼십시오.
- 주입 레벨 센서 **37** 을 마른 천으로 닦아 주십시오.

한국어 | 37

- 진공청소기 뚜껑 **12** 를 다시 끼우고 잠금쇠 **13** 을 잠급니다.
- 전원 케이블을 케이블 홀더 **17** 에 감으십시오.
- 액세서리를 해당 홀더 위치에 끼우십시오: 흡기관 **31** 을 홀더 **19** 에, 틸새 흡입구 **27** 을 홀더 **20** 에, 흡입구 **30** 을 홀더 **21** 에 끼우십시오.
- 흡입 호스 홀더 **4** 의 탄성력 있는 밴드를 풀고 흡입 호스 **24** 를 진공청소기 상부 돌레에 걸쳐 홀더 **4** 에 두십시오.
- 탄성력 있는 밴드를 다시 거십시오.
- L-Boxx 를 리테이너 **11** 에 끼우십시오.
- 진공청소기를 운반하기 전에 꼭 찬 폐기물 봉투 또는 꼭 찬 먼지봉투를 분리하거나 흡입한 용액을 비워 허리 부상을 입지 않도록 하십시오.
- 운반용 손잡이 **10** 만 사용하여 진공청소기를 운반하십시오.
- 진공청소기를 운반하려면 씰링 플러그 **2** 를 호스 연결부위 **3** 에 체결하십시오.
- 건조한 공간에 진공청소기를 보관하고 함부로 사용하지 않도록 주의하십시오.
- 가이드 롤러 **16** 을 고정하려면 가이드 롤러 브레이크 **15** 를 아래로 밟으십시오.

문제 해결

문제	해결 방법
흡입 터빈이 작동하지 않음.	<ul style="list-style-type: none"> - 전원 케이블, 전원 플러그, 퓨즈, 소켓 및 주입 레벨 센서 37 을 점검하십시오. 작동모드 - 선택 스위치 7 이 "시작/멈춤 자동기능" 에 있음. - 작동모드 - 선택 스위치 7 을 "진공청소기" 에 두거나 전원 콘센트 5 에 연결된 전동공구를 켜십시오.
흡입 터빈 꺼짐.	<ul style="list-style-type: none"> - 용기 1 을 비우십시오.
흡입 터빈이 용기를 비운 후에 다시 작동하지 않음.	<ul style="list-style-type: none"> - 진공청소기의 전원을 끄고 5 초간 기다렸다가 5 초 후에 다시 켜십시오. - 주입 레벨 센서 37 및 주입 레벨 센서 37 의 공간을 솔을 이용하여 청소하십시오.
흡입력 약화됨.	<ul style="list-style-type: none"> - 흡입 노즐, 흡입관 31, 흡입 호스 24 또는 필터 26 의 장애물을 제거하십시오. - 폐기물 봉투 25 또는 먼지봉투를 교체하십시오. - 필터 커버 36 을 제대로 끼우십시오. - 진공청소기 뚜껑 12 를 제대로 설치하고 뚜껑 13 을 닫으십시오. - 필터 26 을 교체하십시오.
흡입 시 먼지 새어 나옴.	<ul style="list-style-type: none"> - 필터 26 이 제대로 장착되었는지 점검하십시오. - 필터 26 을 교체하십시오.
자동 꺼짐 기능 (습식 흡입) 이 응답하지 않음.	<ul style="list-style-type: none"> - 주입 레벨 센서 37 및 주입 레벨 센서 37 의 공간을 솔을 이용하여 청소하십시오. 전기 전도가 안되는 액체 또는 거품형성 시 자동꺼짐 기능이 작동하지 않음. - 채워진 상태를 지속적으로 점검하십시오.

38 | ภาษาไทย

문제	해결 방법
음향 경고신호가 울림.	흡입 출력이 너무 낮게 설정됨. - 흡입 출력 조절장치 8 에서 더 높은 값으로 설정하십시오. 잘못된 호스 직경이 설정됨. - 체적 유량 레귤레이터 6 을 올바른 호스 직경으로 설정하십시오. 흡입 호스 24 막힘 또는 꺾임. - 막힘 또는 꺾임 현상을 해결하십시오. 폐기물 봉투 / 먼지봉투 꽂 참. - 폐기물 봉투 25 또는 먼지봉투를 교체하십시오. 플랫 폴드 필터 26 이 더러워짐. - 플랫 폴드 필터를 세척하거나 필요에 따라 교체하십시오. 연결된 전동공구에 공기 유입량이 충분하지 않음. - 공구 슬리브 22 의 공기 통풍구 34 를 여십시오. 틈새 흡입구가 완전히 열릴 때까지 공구 슬리브의 링을 돌리십시오. - 존재하는 경우: 전동공구의 틈새 흡입구를 여십시오. 감시 일렉트로닉 기능 불량. - 보쉬 지정 서비스 센터에 문의하십시오.
필터 청소장치가 작동하지 않음.	- 필터 청소장치를 활성화시키십시오 (AFC 버튼 9 를 누르십시오). - 흡입 호스 24 를 연결하십시오.
자동 필터 청소장치가 꺼지지 않음.	- 보쉬 지정 서비스 센터에 문의하십시오.
자동 필터 청소장치가 켜지지 않음.	- 보쉬 지정 서비스 센터에 문의하십시오.

보쉬 AS 및 고객 상담

보쉬는 귀하의 제품 및 수리에 관한 문의를 받고 있습니다.

AS 센터 정보 및 제품에 대한 고객 상담은 하기 고객 콜센터 및 이메일 상담을 이용해주시기 바랍니다.

고객 콜센터 : 080-955-0909

이메일 상담 :

Bosch-pt.hotline@kr.bosch.com

문의나 대체 부품 주문 시에는 반드시 제품 네임 플레이트에 있는 10 자리의 부품번호를 알려 주십시오.

Bosch Korea, RBKR
 Mechanics and Electronics Ltd.
 PT/SAX-ASA
 298 Bojeong-dong Giheung-gu
 Yongin-si, Gyeonggi-do, 446-913
 Republic of Korea
 080-955-0909

처리

진공청소기와 액세서리 및 포장 등은 친환경적인 방법으로 재활용할 수 있도록 분류하십시오.

진공청소기를 가정용 쓰레기로 처리하지 마십시오!

위 사항은 사전 예고 없이 변경될 수도 있습니다.

ภาษาไทย

กฎระเบียบเพื่อความปลอดภัย



ต้องอ่านคำเตือนเพื่อความปลอดภัยและคำสั่งทั้งหมด การไม่ปฏิบัติตามคำเตือนและคำสั่งอาจเป็นสาเหตุให้ถูกไฟฟ้าดูด เกิดไฟไหม้ และ/หรือได้รับบาดเจ็บอย่างร้ายแรง

เก็บรักษาคำสั่งนี้ไว้ให้ดี

► **เครื่องดูดฝุ่นนี้ไม่ได้มีไว้เพื่อการใช้งานโดยเด็กและบุคคลที่มีความบกพร่องทางกายภาพ ทางประสาทสัมผัส หรือทางจิตใจ หรือบุคคลที่ขาดประสบการณ์และความรู้ มิฉะนั้นจะมีอันตรายจากความผิดพลาดในการปฏิบัติงานและได้รับบาดเจ็บ**

► **ควบคุมดูแลเด็กๆ ทั้งนี้เพื่อให้มั่นใจได้ว่าเด็กๆ จะไม่เล่นเครื่องดูดฝุ่น**

คำเตือน ใช้เครื่องดูดฝุ่นเฉพาะเมื่อได้รับข้อมูลที่เพียงพอเกี่ยวกับการใช้งานเครื่องดูดฝุ่น วัสดุที่จะดูด และการนำวัสดุไปกำจัดทิ้งอย่างปลอดภัย การชี้แนะอย่างละเอียดถี่ถ้วนจะลดความผิดพลาดในการปฏิบัติงานและการบาดเจ็บ

คำเตือน เครื่องดูดฝุ่นนี้เหมาะสำหรับดูดวัสดุแห้ง และเมื่อใช้มาตรการที่เหมาะสม ก็สามารถดูดของเหลวได้เช่นกัน การซึมผ่านของของเหลวจะเพิ่มความเสี่ยงจากการถูกไฟฟ้าดูด

▶ อย่าดูดของเหลวที่ไวไฟหรือระเบิดได้ ตัวอย่าง เช่น เบนซิน น้ำมัน แอลกอฮอล์ สารทำลาย ยาดูดฝุ่นที่ร้อนหรือลูกไหม้ อย่าใช้เครื่องทำงานในห้องที่อาจเกิดระเบิดได้ ฝุ่น ไอ และของเหลว สามารถจุดไฟหรือระเบิดได้

คำเตือน ใช้เต้าเสียบเฉพาะเพื่อวัตถุประสงค์ที่ระบุไว้ในคู่มือการใช้งานเท่านั้น

คำเตือน ปิดสวิตช์เครื่องดูดฝุ่นในทันทีที่มีฟองหรือน้ำไหลออกมา และให้สายส่งบรรจุ มิฉะนั้นเครื่องดูดฝุ่นอาจชำรุดได้

คำเตือน ต้องเก็บเครื่องดูดฝุ่นไว้ภายในอาคารเท่านั้น

คำเตือน ทำความสะอาดเซ็นเซอร์ระดับของเหลวอย่างสม่ำเสมอและตรวจสอบว่าเสียหายหรือไม่ มิฉะนั้นอาจส่งผลกระทบต่อการทำงานได้

▶ เมื่อใช้เครื่องดูดฝุ่นทำงานในสภาพแวดล้อมที่เปียกชื้น ให้ใช้อุปกรณ์ตัดวงจรไฟฟ้าเมื่อเกิดกระแสไฟฟ้ารั่วเกินพิกัด (RCD) การใช้อุปกรณ์ตัดวงจรไฟฟ้าเมื่อเกิดกระแสไฟฟ้ารั่วเกินพิกัด (RCD) จะลดอันตรายจากการถูกไฟฟ้าดูด

▶ ต่อเครื่องดูดฝุ่นเข้ากับระบบไฟฟ้าที่มีสายต้องดินอย่างถูกต้อง เต้าเสียบและสายไฟเชื่อมต่อต้องมีสายดินของอุปกรณ์ไฟฟ้าที่พร้อมใช้งาน

▶ ตรวจสอบเครื่องดูดฝุ่น สายไฟฟ้า และปลั๊กไฟฟ้าทุกครั้งก่อนการใช้งาน อย่าใช้เครื่องดูดฝุ่นเมื่อตรวจพบความเสียหาย อย่าเปิดเครื่องดูดฝุ่นด้วยตัวท่านเอง และส่งเครื่องเข้ารับบริการซ่อมแซมโดยช่างผู้เชี่ยวชาญ และใช้อะไหล่เปลี่ยนของแท้เท่านั้น เครื่องดูดฝุ่น สายไฟฟ้า และปลั๊กไฟฟ้าที่เสียหาย จะเพิ่มความเสี่ยงจากการถูกไฟฟ้าดูด

▶ อย่าเคลื่อนหับ บินอัด หรือยึดดึงสายไฟฟ้า อย่าดึงที่สายไฟฟ้าเพื่อถอดปลั๊กไฟออกจากเต้าเสียบ หรือเพื่อเลื่อนเครื่องดูดฝุ่น สายไฟฟ้าที่ชำรุดจะเพิ่มความเสี่ยงจากการถูกไฟฟ้าดูด

▶ ดึงปลั๊กไฟออกจากเต้าเสียบก่อนบำรุงรักษาหรือทำความสะอาด ปรับแต่งเครื่อง เปลี่ยนอุปกรณ์ประกอบหรือเก็บเครื่องดูดฝุ่นเข้าที่ มาตรการเพื่อความปลอดภัยนี้จะป้องกันไม่ให้เครื่องดูดฝุ่นติดขึ้นโดยไม่ตั้งใจ

▶ จัดสถานที่ทำงานให้มีอากาศถ่ายเทที่ดี

▶ ส่งเครื่องดูดฝุ่นให้ช่างผู้เชี่ยวชาญซ่อมแซมเท่านั้น และใช้อะไหล่เปลี่ยนของแท้เท่านั้น ในลักษณะนี้ท่านจะแน่ใจได้ว่าเครื่องดูดฝุ่นอยู่ในสภาพที่ปลอดภัย

คำเตือน เครื่องดูดฝุ่นบรรจุวัสดุที่เป็นอันตรายต่อสุขภาพ ให้ผู้เชี่ยวชาญทำการถ่ายผง และบำรุงรักษา รวมทั้งกำจัดถังบรรจุเท่านั้น จำเป็นต้องใช้อุปกรณ์ป้องกันที่เหมาะสม อย่าใช้งานเครื่องดูดฝุ่นโดยไม่มีระบบกรองที่ครบถ้วน มิฉะนั้นจะเกิดอันตรายต่อสุขภาพของท่าน

▶ ก่อนเริ่มต้นทำงานใหม่ ให้ตรวจสอบว่าท่อดูดมีสภาพที่สมบูรณ์แบบหรือไม่ สำหรับการตรวจสอบ ให้ปล่อยท่อดูดติดตั้งอยู่กับเครื่องดูดฝุ่น ทั้งนี้เพื่อหลีกเลี่ยงไม่ให้ฝุ่นละอองพุ่งออกมา มิฉะนั้นท่านอาจจะสูดดมฝุ่นเข้าไป

▶ อย่าใช้เครื่องดูดฝุ่นเป็นที่นั่ง เครื่องดูดฝุ่นอาจเสียหายได้

▶ ใช้สายไฟฟ้าและท่อดูดอย่างระมัดระวัง บุคคลอื่นอาจได้รับอันตราย

▶ อย่าทำความสะอาดเครื่องดูดฝุ่นโดยฉีดพ่นน้ำไปที่เครื่องโดยตรง การซึมผ่านของน้ำเข้าไปในส่วนบนของเครื่องดูดฝุ่นจะเพิ่มความเสี่ยงจากการถูกไฟฟ้าดูด

สัญลักษณ์

สัญลักษณ์ต่อไปนี้อาจมีความสำคัญต่อการใช้เครื่องดูดฝุ่นของท่าน กรุณาจดจำสัญลักษณ์และความหมายของสัญลักษณ์ การแปลความหมายสัญลักษณ์อย่างถูกต้อง จะช่วยให้ท่านสามารถใช้เครื่องดูดฝุ่นได้อย่างปลอดภัยและดียิ่งขึ้น

สัญลักษณ์และความหมายของสัญลักษณ์



ระวัง ต้องอ่านคำเตือนเพื่อความปลอดภัยและคำสั่งทั้งหมด การไม่ปฏิบัติตามคำเตือนและคำสั่งอาจเป็นสาเหตุให้ถูกไฟฟ้าดูด เกิดไฟไหม้ และ/หรือได้รับบาดเจ็บอย่างร้ายแรง



เครื่องดูดฝุ่นประเภท M ตามมาตรฐาน IEC/EN 60335-2-69 สำหรับ การดูดฝุ่นแห้ง ที่เป็นอันตรายต่อสุขภาพที่มีค่าจำกัดการรับสัมผัส ≥ 0.1 มก./ลบ.ม.




คำเตือน เครื่องดูดฝุ่นบรรจุวัสดุที่เป็นอันตรายต่อสุขภาพ ให้ผู้เชี่ยวชาญทำการถ่ายผง และบำรุงรักษา รวมทั้งกำจัดถังบรรจุเท่านั้น จำเป็นต้องใช้อุปกรณ์ป้องกันที่เหมาะสม อย่าใช้งานเครื่องดูดฝุ่นโดยไม่มีระบบกรองที่ครบถ้วน มิฉะนั้นจะเกิดอันตรายต่อสุขภาพของท่าน



40 | ภาษาไทย

สัญลักษณ์และความหมายของสัญลักษณ์

 **ระบบสตาร์ท/หยุดอัตโนมัติ**
การดูดฝุ่นที่เกิดจากการทำงานของ
เครื่องมือไฟฟ้า

1+

เครื่องดูดฝุ่นเปิดสวิตช์โดยอัตโนมัติและ
ปิดสวิตช์อีกครั้งพร้อมการหน่วงเวลา

0

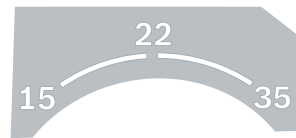
ปิดเครื่อง



การดูด

การดูดฝุ่นที่สะสม

1



- 15 การตรวจสอบการไหลเชิงปริมาตรสำหรับเส้นผ่าศูนย์กลางท่อ 15 มม.
- 22 การตรวจสอบการไหลเชิงปริมาตรสำหรับเส้นผ่าศูนย์กลางท่อ 22 มม.
- 35 การตรวจสอบการไหลเชิงปริมาตรสำหรับเส้นผ่าศูนย์กลางท่อ 35 มม.



- Min/Max** การควบคุมกำลังดูดแบบต่อเนื่อง:
- กำลังดูดสูงสุดสำหรับการใช้งานที่มีฝุ่นละอองจำนวนมาก
 - กำลังดูดที่ลดลงสำหรับการใช้งานที่มีฝุ่นละอองจำนวนน้อยลง และเพื่อควบคุม ต. ย. เช่น แรงดูดระหว่างเครื่องมือไฟฟ้าที่เชื่อมต่อและพื้นผิวชิ้นงาน (ต. ย. เช่น เมื่อขัด)

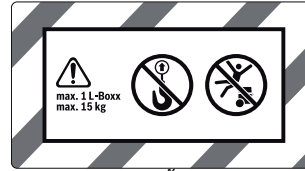
ข้อมูลจำเพาะของกำลังไฟฟ้าที่อนุญาตของเครื่องมือไฟฟ้าที่เชื่อมต่อ (เฉพาะประเทศ)

max.
2200 W
min.
100 W



AFC ระบบทำความสะอาดตัวกรองอัตโนมัติ (AFC = Automatic Filter Cleaning)

สัญลักษณ์และความหมายของสัญลักษณ์



max. 1 L-Boxx
max. 15 kg

ติดตั้ง L-Boxx ได้สูงสุดหนึ่งตัวเท่านั้น
น้ำหนักของ L-Boxx รวมกับสิ่งบรรจุต้อง
ไม่เกิน 15 กก.



▶ **อย่าแขวนเครื่องดูดฝุ่นเข้ากับตะขอ**
เครน ต. ย. เช่น เมื่อต้องการขนย้าย
เครื่องดูดฝุ่นไม่เหมาะที่จะขนย้ายด้วย
เครนอันตรายจากการขาดเจ็บและได้รับ
ความเสียหาย



▶ **อย่าใช้เครื่องดูดฝุ่นเป็นที่นั่ง บันได**
หรือชั้นบันได เครื่องดูดฝุ่นอาจ
คว่ำหงายและชำรุดได้อันตรายจากการ
ขาดเจ็บ

รายละเอียดผลิตภัณฑ์และ ข้อมูลจำเพาะ

ขณะอ่านคู่มือการใช้งานเครื่อง ให้เปิดหน้าที่แสดงภาพประกอบของเครื่องดูดฝุ่น และเปิดค้างไว้

ประโยชน์การใช้งานของเครื่อง

เครื่องดูดฝุ่นนี้ใช้สำหรับเก็บ ดูด ส่ง และแยกเศษไม้ รวมทั้งฝุ่นแห้งไม่ไวไฟ ของเหลวไม่ไวไฟ และลมผสมน้ำ เครื่องดูดฝุ่นนี้ได้รับการทดสอบในทางเทคนิคที่เกี่ยวข้องกับฝุ่นละออง และสอดคล้องกับประเภทฝุ่น M เครื่องดูดฝุ่นนี้เหมาะสำหรับการใช้งานเชิงพาณิชย์ที่มีปริมาณงานเพิ่มขึ้น เช่น ในงานช่างฝีมือ อุตสาหกรรม และโรงซ่อมสร้าง

ตามมาตรฐาน IEC/EN 60335-2-69 เครื่องดูดฝุ่นประเภทฝุ่น M สามารถใช้ดูดและนำออกฝุ่นที่เป็นอันตรายต่อสุขภาพที่มีค่าจำกัดการรับสัมผัส ≥ 0.1 มก./ลบ.ม. เท่านั้น

ใช้เครื่องดูดฝุ่นเมื่อท่านเข้าใจฟังก์ชันทั้งหมดอย่างครบถ้วนแล้วเท่านั้น และสามารถปฏิบัติงานได้อย่างไม่มีข้อจำกัดหรือเมื่อได้รับคำสั่งที่เหมาะสม

ส่วนประกอบผลิตภัณฑ์

ลำดับเลขของส่วนประกอบผลิตภัณฑ์อ้างอิงถึงส่วนประกอบของเครื่องดูดฝุ่นที่แสดงในหน้าภาพประกอบ

- 1 ถังบรรจุ
- 2 ฝาปิดสำหรับการเชื่อมต่อท่อดูด
- 3 ส่วนเชื่อมต่อท่อ
- 4 ที่ยึดท่อดูด
- 5 เต้าเสียบสำหรับเครื่องมือไฟฟ้า
- 6 ปุ่มควบคุม-การไหลเชิงปริมาตร
- 7 สวิตช์เลือก-โหมดทำงาน
- 8 ปุ่มควบคุมกำลังดูด (ไม่มีสำหรับหมายเลขสินค้า 3 601 JC3 170)
- 9 ปุ่ม AFC
- 10 ต่ำนํ้า
- 11 ตัวยึด L-Boxx
- 12 ส่วนบนของเครื่องดูดฝุ่น
- 13 ขอยึดของครอบเครื่องดูดฝุ่น
- 14 ล้อหลัง
- 15 เบรคล้อเลื่อน
- 16 ล้อเลื่อน
- 17 ที่ยึดสายไฟฟ้า
- 18 สลักล็อกของฝาครอบตัวกรอง
- 19 ที่ยึดท่อดูดแข็ง
- 20 ที่ยึดหัวดูดสำหรับซอกมุม/ท่อโค้งดูดฝุ่น
- 21 ที่ยึดหัวดูดพื้น
- 22 ปลอกเครื่องมือ
- 23 ท่อโค้งดูดฝุ่น
- 24 ท่อดูด
- 25 ถังทิ้งขยะ
- 26 ตัวกรองแบบจับ (PES)
- 27 หัวดูดสำหรับซอกมุม
- 28 ขอบยาง
- 29 แถบแปรง
- 30 หัวดูดพื้น
- 31 ท่อดูดแข็ง
- 32 ตัวรับที่ยึดท่อดูด
- 33 ปุ่มกด
- 34 ช่องจ่ายอากาศ
- 35 ไฟควบคุม LED
- 36 ฝาครอบตัวกรอง
- 37 เซนเซอร์ระดับ

อุปกรณ์ประกอบที่แสดงหรือระบุไม่รวมอยู่ในการจัดส่งมาตรฐาน กรุณาดูอุปกรณ์ประกอบทั้งหมดในรายการแสดงอุปกรณ์ประกอบของเรา

ข้อมูลทางเทคนิค

เครื่องดูดฝุ่นแห้ง/เปียก	GAS 35 M AFC	
หมายเลขสินค้า	3 601 JC3 1.. ... 170
แรงดันไฟฟ้ากำหนด	โวลท์ 220–240**	110
กำลังไฟฟ้าเข้ากำหนด	วัตต์	1200 1000
ความถี่	เฮิร์ตซ์	50/60 50/60
ปริมาตรถังบรรจุ (รวมทั้งหมุด)	ลิตร	35 35
ปริมาตรสุทธิ (ของเหลว)	ลิตร	19 19
ความจุถังเก็บผง	ลิตร	19 19
การดูด สูงสุด*		
- เครื่องดูดฝุ่น	hPa	230 211
- ไม้พัด	hPa	254 242
การไหลเชิงปริมาตร สูงสุด*		
- เครื่องดูดฝุ่น	ลิตร/วินาที ลบ.ม./วิ.	36 31 0.036 0.031
- ไม้พัด	ลิตร/วินาที ลบ.ม./วิ.	74 71 0.074 0.071
กำลังดูด สูงสุด	วัตต์	1380 1150
พื้นที่ ตัวกรองแบบจับ	ตร.ม.	0.615 0.615
ประเภทฝุ่น		M M
นำหนักตามระเบียบการ-EPTA-Procedure 01:2014	กก.	12.4 12.4
ระดับความปลอดภัย		⊕ / I ⊕ / I
ระดับการคุ้มกัน		IP X4 IP X4

* วัดด้วยท่อดูด Ø 35 มม. และความยาว 5 ม.

** ค่าที่ใหม่ใช้ได้กับแรงดันไฟฟ้าระบุ [U] 230

โวลท์ค่าเหล่านี้อาจแตกต่างกันไปสำหรับแรงดันไฟฟ้าที่ต่ำกว่าและรุ่นที่สร้างสำหรับเฉพาะประเทศ

ระบบสตาร์ท/หยุดอัตโนมัติ*

แรงดันไฟฟ้ากำหนด	กำลังไฟฟ้า	
	สูงสุด	กำลังไฟฟ้าต่ำสุด
ออสเตรเลีย	2200 วัตต์	100 วัตต์
จีน	750 วัตต์	100 วัตต์

* ข้อมูลเฉพาะของกำลังไฟฟ้าที่อนุญาตของเครื่องมือไฟฟ้าที่เชื่อมต่อ (เฉพาะประเทศ)

การประกอบ

- ▶ ดึงปลั๊กไฟออกจากเต้าเสียบก่อนปรับแต่งเครื่องดูดฝุ่น

การประกอบที่ยึดท่อดูด (ดูภาพประกอบ A)

- เลื่อนที่ยึดท่อดูด 4 อย่างมั่นคงจากด้านบนลงในตัวรับ 32 ที่มีไว้สำหรับวัตถุประสงค์นี้จนชนเข้าล็อก

การประกอบต่อท่อ (ดูภาพประกอบ B)

- สวมท่อดูด 24 เข้าบนส่วนเชื่อมต่อท่อ 3 และหมุนตามเข็มนาฬิกาไปจนสุด

42 | ภาษาไทย

หมายเหตุ: ในขณะที่ดูดฝุ่นจะมีไฟฟ้าสถิตในท่อดูดและอุปกรณ์ประกอบซึ่งเกิดจากการเสียดสีของฝุ่นละออง และผู้ใช้งานสามารถรู้สึกได้ในรูปแบบของการถ่ายเทประจุไฟฟ้า (ขึ้นอยู่กับสภาพแวดล้อมและการรับรู้ทางกายภาพ) เมื่อดูดฝุ่นละเอียดและวัสดุแห้ง โดยปกติ บ็อกซ์ แนะนำให้ใช้ท่อดูดป้องกันไฟฟ้าสถิต (อุปกรณ์ประกอบ)

การประกอบอุปกรณ์การดูด (รูปภาพประกอบ C)

ท่อดูด 24 มีระบบคลิปที่สามารถเชื่อมต่อกับอุปกรณ์การดูดได้ (ปลอกเครื่องมือ 22 ท่อโค้งดูดฝุ่น 23)

การประกอบปลอกเครื่องมือ

- เสียบปลอกเครื่องมือ 22 เข้าบนท่อดูด 24 จนได้ยินเสียงปุ่มกดทั้งสอง 33 ของท่อดูดขบเข้าล็อค
- เมื่อต้องการถอดออก ให้กดปุ่มกด 33 เข้าด้านในและดึงชิ้นส่วนออกจากกัน

การประกอบหัวดูดและท่อดูดแข็ง

- เสียบท่อโค้งดูดฝุ่น 23 เข้าบนท่อดูด 24, จนได้ยินเสียงปุ่มกดทั้งสอง 33 ของท่อดูดขบเข้าล็อค
- จากนั้นจึงเสียบอุปกรณ์การดูดที่ต้องการ (หัวดูดพื้น หัวดูดสำหรับซอกมุม ท่อดูดแข็ง ฯลฯ) เข้าบนท่อโค้งดูดฝุ่น 23 ให้แน่น
- เมื่อต้องการถอดออก ให้กดปุ่มกด 33 เข้าด้านในและดึงชิ้นส่วนออกจากกัน

การใส่/การถอดถุงทิ้งขยะหรือถุงเก็บผง (การดูดแห้ง) (รูปภาพประกอบ D1 – D2)

สำหรับการดูดแห้งตามประเภทฝุ่น M ท่านต้องใส่ถุงทิ้งขยะ 25 หรือถุงเก็บผง

หากดูดวัสดุที่ไม่มีหรือที่มีค่าจำกัดการรับสัมผัส ≥ 1 มก./ลบ.ม. (ตามประเภทฝุ่น L) ท่านสามารถดูดฝุ่นผงได้ในถังบรรจุได้โดยตรง

หมายเหตุ: หากใช้ถุงกรองกระดาษท่านต้อง และหากใช้ถุงกรองฟริสท่านควรปิดสวิทช์ระบบทำความสะอาดตัวกรองอัตโนมัติ (AFC) (ดู "ยกเลิกการใช้งาน AFC" หน้า 44)

⚠ คำเตือน เครื่องดูดฝุ่นบรรจุวัสดุที่เป็นอันตรายต่อสุขภาพ ให้ผู้เชี่ยวชาญทำการถ่ายผง และบำรุงรักษา รวมทั้งกำจัดถังบรรจุเท่านั้น จำเป็นต้องใช้อุปกรณ์ป้องกันที่เหมาะสม อย่าใช้งานเครื่องดูดฝุ่นโดยไม่มีระบบกรองที่ครบถ้วน มิฉะนั้นจะเกิดอันตรายต่อสุขภาพของท่าน

การใส่ถุงทิ้งขยะ

- ปลดชอยด์ 13 และนำส่วนบนของเครื่องดูดฝุ่น 12 ออกไป
- วางถุงทิ้งขยะ 25 เข้าในถังบรรจุ 1 โดยจับช่องเปิดรับฝุ่นที่ด้านบนหน้า
- ดึงช่องเปิดรับฝุ่นไปบนหน้าแปลนเชื่อมต่อเข้าไปในร่องของหน้าแปลนเชื่อมต่อ
- ดูให้แน่ใจว่าถุงทิ้งขยะ 25 ได้วางทาบกับผนังด้านในถังบรรจุ 1 ทั้งหมด
- พับส่วนที่เหลือของถุงทิ้งขยะ 25 ไว้เหนือขอบถังบรรจุ 1
- วางส่วนบนของเครื่องดูดฝุ่น 12 ลงอีกครั้งและปิดชอยด์ 13

การถอดและการปิดถุงทิ้งขยะ

- ปลดชอยด์ 13 และนำส่วนบนของเครื่องดูดฝุ่น 12 ออกไป
- ดึงขอบของถุงทิ้งขยะ 25 ที่เต็มแล้วออกจากหน้าแปลนเชื่อมต่อไปทางด้านหลัง
- นำถุงทิ้งขยะ 25 ออกจากเครื่องดูดฝุ่นอย่างระมัดระวัง โดยอย่าทำให้ถุงเสียหายระมัดระวังอย่าให้ถุงทิ้งขยะและก้นของเปิดดูดเข้าหรือวัตถุมีคมอื่นๆ
- ดึงตัวปิดแถบกาวยอก และปิดถุงทิ้งขยะจากนั้นให้ผูกถุงทิ้งขยะ 25 ตรงใต้ช่องเปิดรับฝุ่นด้วยตัวปิดแถบกาวยอกที่ดึงออกมา

การเปลี่ยน/การใส่ถุงเก็บผง (อุปกรณ์ประกอบ)

- ปลดชอยด์ 13 และนำส่วนบนของเครื่องดูดฝุ่น 12 ออกไป
- ดึงถุงเก็บผง ที่เต็มแล้วออกจากขอบเชื่อมต่อไปทางด้านหลัง ปิดช่องถุงเก็บผงโดยพับฝาปิดลงมา นำถุงเก็บผงที่ปิดแล้วออกจากเครื่องดูดฝุ่น
- สวมถุงเก็บผงใบใหม่บนขอบเชื่อมต่อของเครื่องดูดฝุ่นดูให้แน่ใจว่าถุงเก็บผงได้วางทาบกับผนังด้านในถังบรรจุ 1 ตามความยาวทั้งหมด
- วางส่วนบนของเครื่องดูดฝุ่น 12 ลงอีกครั้งและปิดชอยด์ 13

การใส่ขอบยาง (การดูดเปียก) (รูปภาพประกอบ E)

หมายเหตุ: ข้อกำหนดของระดับความสามารถในการป้องกันการแทรกซึมเข้าไปในอุปกรณ์ (ประเภทฝุ่น M) ได้รับการตรวจพิสูจน์เฉพาะสำหรับการดูดแห้งเท่านั้น

- แฉกแถบแปรง 29 ออกจากหัวดูดพื้น 30 อย่างระมัดระวัง โดยใช้เครื่องมือที่เหมาะสม
- ใส่ขอบยาง 28 เข้าในหัวดูดพื้น 30

หมายเหตุ: ต้องหันด้านโครงสร้างของขอบยางออกด้านนอก

การติดตั้ง L-Boxx (รูปภาพประกอบ F)

สำหรับการขนย้ายเครื่องดูดฝุ่นและเพื่อประหยัดพื้นที่ในการจัดเก็บอุปกรณ์เครื่องดูดฝุ่นและ/หรือเครื่องมือไฟฟ้า ท่านสามารถติดตั้ง L-Boxx ที่ส่วนบนของเครื่องดูดฝุ่น

- ติดตั้ง L-Boxx เข้าบนตัวยึด 11
- ▶ **อย่ายกเครื่องดูดฝุ่นโดยจับที่ด้านจับของ L-Boxx ที่ติดตั้งอยู่** เครื่องดูดฝุ่นหนักเกินกว่าที่จะยกที่ด้านจับของ L-Boxx อันตรายจากการบาดเจ็บและได้รับความเสียหาย

การปฏิบัติงาน

เริ่มต้นปฏิบัติงาน

- ▶ **ให้สังเกตแรงดันไฟฟ้า! แรงดันไฟฟ้าจากแหล่งจ่ายไฟฟ้าต้องมีค่าตรงกับค่าแรงดันไฟฟ้าที่ระบุไว้บนแผ่นป้ายกำกับของเครื่องดูดฝุ่น**
- ▶ **กรุณาค้นหาและรับทราบกฎระเบียบ/กฎหมายเกี่ยวกับการจัดการกับฝุ่นที่เป็นอันตรายต่อสุขภาพที่บังคับใช้ในประเทศของท่าน**

เครื่องดูดฝุ่นนี้เหมาะสำหรับดูดและนำออกวัสดุดังต่อไปนี้:

- ฝุ่นที่มีค่าจำกัดการรับสัมผัส ≥ 0.1 มก./ลบ.ม.

โดยหลักการแล้ว ต้องไม่ใช่เครื่องดูดฝุ่นในห้องที่เสี่ยงต่อการระเบิด

เพื่อประหยัดพลังงาน ให้เปิดสวิทช์เครื่องดูดฝุ่นเฉพาะเมื่อใช้งานเครื่องเท่านั้น
เพื่อให้เครื่องดูดฝุ่นทำงานได้ประสิทธิภาพสูงสุด ต้องคลายท่อดูด 24 ทั้งหมดออกจากส่วนบนของเครื่องดูดฝุ่น 12 เสมอ

การดูดแห้ง

การดูดฝุ่นที่สะสม

- ตั้งปุ่มควบคุม-การไหลเชิงปริมาตร 6 ไปที่ขนาดเส้นผ่าศูนย์กลางท่อที่ใช้อยู่
- เมื่อต้องการ **เปิดสวิทช์** เครื่องดูดฝุ่น ให้กลับสวิทช์เลือก-โหมดทำงาน 7 ไปที่สัญลักษณ์ "การดูด"
- เมื่อต้องการ **ปิดสวิทช์** เครื่องดูดฝุ่น ให้กลับสวิทช์เลือก-โหมดทำงาน 7 ไปที่สัญลักษณ์ "ปิดสวิทช์"



เครื่องดูดฝุ่นมีระบบตรวจสอบการไหลเชิงปริมาตรติดตั้งอยู่ในโหมดทำงาน "การดูด" ระบบตรวจสอบการไหลเชิงปริมาตรถูกตั้งค่าคงที่ไว้ที่ 20 ม./วิ. โดยไม่คำนึงถึงตำแหน่งของปุ่มควบคุม-การไหลเชิงปริมาตร 6 หากค่านี้ลดลงต่ำ ต. ย. เช่น เนื่องจากมีสิ่งสกปรกสะสมอยู่ในท่อดูดฝุ่น ฝุ่นเก็บผงเต็มหรือตัวกรองแบบจับฝุ่นอุดตัน เครื่องจะส่งสัญญาณเสียงเตือนในกรณีนี้ให้เปิดสวิทช์เครื่องดูดฝุ่นและตรวจสอบเครื่องตามข้ออธิบายไว้ในบท "การแก้ไขการทำงานที่ผิดปกติ"

การดูดฝุ่นที่เกิดจากการทำงานของเครื่องมือไฟฟ้า (ดูภาพประกอบ G)

- ▶ **เมื่อลมที่ปล่อยออกมาหมุนเวียนอยู่ในห้อง ในห้องจึงต้องมีอัตราการระบายอากาศ (L) ที่เพียงพอ ปฏิบัติตามกฎระเบียบที่เกี่ยวข้องของประเทศ**

ในเครื่องดูดฝุ่นมีเต้าเสียบที่มีสายต่อลงดิน 5 ติดตั้งอยู่สามารถเชื่อมต่อเครื่องมือไฟฟ้าจากภายนอกที่จุดนี้ ให้สังเกตภาระสูงสุดที่อนุญาตของเครื่องมือไฟฟ้าที่เชื่อมต่อเพื่อให้แน่ใจว่าฝุ่นที่จุดดูดจะถูกไล่เสียงออกไปอย่างเพียงพอ อัตราการไหลจะต้องไม่ลดลงต่ำกว่าการไหลเชิงปริมาตรขั้นต่ำสำหรับเครื่องมือไฟฟ้าที่เชื่อมต่อ

เส้นผ่าศูนย์กลางท่อ	ค่าตั้งการไหลเชิงปริมาตร
35 มม.	57.9 ลบ.ม./ชม.
22 มม.	41.2 ลบ.ม./ชม.
15 มม.	12.7 ลบ.ม./ชม.

- ตั้งปุ่มควบคุม-การไหลเชิงปริมาตร 6 ไปที่ขนาดเส้นผ่าศูนย์กลางท่อที่ใช้อยู่
- ประกอบปลอกเครื่องมือ 22 (ดู "การประกอบปลอกเครื่องมือ" หน้า 42) เข้า
- เสียบปลอกเครื่องมือ 22 เข้าในท่อเชื่อมต่อดูดออกของเครื่องมือไฟฟ้า
- เมื่อต้องการ **เริ่มต้นระบบสตาร์ท/หยุดอัตโนมัติ** ของเครื่องดูดฝุ่น ให้กลับสวิทช์เลือก-โหมดทำงาน 7 ไปที่สัญลักษณ์ "ระบบสตาร์ท/หยุดอัตโนมัติ" ในโหมดทำงานนี้การไหลเชิงปริมาตรจะถูกตรวจสอบด้วยระบบอิเล็กทรอนิกส์ตามการตั้งค่าที่ปุ่มควบคุม 6 หากเลือกค่าที่ตั้งถูกต้อง ฝุ่นจะถูกไล่เสียงออกไปอย่างเพียงพอ



- เพื่อให้เครื่องดูดฝุ่น**เริ่มต้นทำงาน** ให้เปิดสวิทช์เครื่องมือไฟฟ้าที่เชื่อมต่อกับเต้าเสียบ 5 เครื่องดูดฝุ่นจะสตาร์ทโดยอัตโนมัติ
- ปิดสวิทช์เครื่องมือไฟฟ้าเพื่อ**การดูดฝุ่นจะได้สิ้นสุดลง** ระบบสตาร์ท/หยุดอัตโนมัติจะวิ่งต่อไปอีกประมาณ 15 วินาที ทั้งนี้เพื่อดูดฝุ่นที่ตกค้างอยู่ออกไปจากท่อดูด
- เมื่อต้องการ **ปิดสวิทช์** เครื่องดูดฝุ่น ให้กลับสวิทช์เลือก-โหมดทำงาน 7 ไปที่สัญลักษณ์ "ปิดสวิทช์"

เมื่อสัญญาณเสียงเตือนดังขึ้น ต้องตรวจสอบเครื่องดูดฝุ่นตามข้ออธิบายไว้ในบท "การแก้ไขการทำงานที่ผิดปกติ"

การดูดเปียก

- ▶ **อย่าดูดของเหลวที่ไวไฟหรือระเบิดได้ ตัวอย่าง เช่น เบนซิน น้ำมัน แอลกอฮอล์ สารทำลาย ยาฆ่าแมลงที่ร้อนหรือลุกไหม้ อย่าใช้เครื่องทำงานในห้องที่อาจเกิดระเบิดได้** ฝุ่น ไอ และของเหลว สามารถจุดไฟหรือระเบิดได้
- ▶ **ห้ามใช้เครื่องดูดฝุ่นเป็นเครื่องปั้มน้ำเด็ดขาด** เครื่องดูดฝุ่นนี้ใช้สำหรับดูดลมผสมน้ำ
- ▶ **ดึงปลั๊กไฟออกจากเต้าเสียบก่อนปรับแต่งเครื่องดูดฝุ่น**

หมายเหตุ: ข้อกำหนดของระดับความสามารถในการป้องกันการแทรกซึมเข้าไปในอุปกรณ์ (ประเภทฝุ่น M) ได้รับการตรวจพิสูจน์เฉพาะสำหรับการดูดแห้งเท่านั้น

- ก่อนดูดเปียก ให้ถอดถุงขยะ 25 หรือถุงเก็บผงออกไป และถ่ายถังบรรจุ 1

หมายเหตุ: เมื่อดูดของเหลวผสมของแข็ง ให้ใช้ถุงกรองเปียก (อุปกรณ์ประกอบ) เพื่อแยกของเหลวออกจากของแข็ง ซึ่งจะทำให้กำจัดได้ง่ายขึ้น

- ใส่ขอบยางเข้าในหัวดูดพื้น (ดู "การใส่ขอบยาง" หน้า 43)
- ปิดสวิทช์ระบบทำความสะอาดตัวกรองอัตโนมัติ (AFC) (ดู "ยกเลิกการใช้งาน AFC" หน้า 44)

เครื่องดูดฝุ่นมีเซนเซอร์ระดับ 37 ติดตั้งอยู่เมื่อเต็มถึงระดับสูงสุด เครื่องดูดฝุ่นจะปิดสวิทช์ให้กลับสวิทช์เลือก-โหมดทำงาน 7 ไปที่สัญลักษณ์ "ปิดสวิทช์"

หมายเหตุ: เมื่อดูดของเหลวที่ไม่นำไฟฟ้า (ต. ย. เช่น สารหล่อเย็นสำหรับการเจาะ น้ำมัน และจาระบี) เครื่องดูดฝุ่นจะไม่ปิดสวิทช์เมื่อถังบรรจุเต็ม ต้องตรวจสอบระดับอย่างต่อเนื่องและถ่ายถังบรรจุให้ทันทั่วทั้ง

เมื่อสัญญาณเสียงเตือนดังขึ้นในขณะที่ดูดเปียก ความปลอดภัยในการทำงานของเครื่องดูดฝุ่นไม่ได้บ่งชี้ว่าไม่จำเป็นต้องใช้มาตรการเพื่อแก้ไขการทำงานที่ผิดปกติ

- เมื่อต้องการขนย้ายเครื่องดูดฝุ่น ให้ขันฝาปิด 2 เข้าบนส่วนเชื่อมต่อท่อ 3

เพื่อป้องกันไม่ให้เข็รอก่อตัวหลังการดูดเปียก:

- ถอดตัวกรองแบบจับ 26 ออกและปล่อยให้แห้งสนิท
- ถอดส่วนบนของเครื่องดูดฝุ่น 12 เปิดฝาครอบตัวกรอง 36 ออกและปล่อยให้แห้งสนิท

44 | ภาษาไทย

การทำความสะอาดตัวกรอง

ระบบทำความสะอาดตัวกรองอัตโนมัติ (รูปภาพประกอบ H)

ระบบทำความสะอาดตัวกรองอัตโนมัติ (AFC = Automatic Filter Cleaning) จะทำความสะอาดตัวกรองแบบจับ 26 ทุก 15 วินาที โดยการเป่าลม (เสียงดังเป็นจังหวะ)

ท่านต้องกระตุ้นระบบทำความสะอาดตัวกรองให้ทำงานเมื่อไม่มีพลังดูดเพียงพอเป็นอย่างช้าที่สุด

เมื่อใช้ระบบทำความสะอาดตัวกรองเป็นประจำ จะช่วยเพิ่มอายุการใช้งานของตัวกรองเพื่อให้ตัวกรองมีอายุการใช้งานที่เหมาะสม ให้ปิดระบบทำความสะอาดตัวกรองอัตโนมัติในกรณียกเว้นเท่านั้น ค. ย. เช่น เมื่อดูดของเหลวบริสุทธิ์ หรือเมื่อใช้ถุงกรองกระดาษ

ตัวกรองแบบจับที่สกปรกเฉพาะบนพื้นผิวภายนอกจะทำงานได้อย่างสมบูรณ์แบบ การทำความสะอาดตัวกรองแบบจับด้วยมือ โดยการเคาะหรือเป่าจึงไม่จำเป็น และอาจทำให้ตัวกรองเสียหายด้วยซ้ำ

หมายเหตุ: ระบบทำความสะอาดตัวกรองอัตโนมัติถูกตั้งค่าให้เปิดใช้งานมาจากโรงงานท่านสามารถเปิด/ปิดระบบทำความสะอาดตัวกรองอัตโนมัติได้เฉพาะเมื่อเครื่องเปิดสวิตช์ทำงานอยู่เท่านั้น

- **ยกเลิกการใช้งาน AFC**
กดปุ่ม AFC 9
ไฟควบคุม LED 35 ดับลง
- **เรียกใช้งาน AFC**
กดปุ่ม AFC 9
ไฟควบคุม LED 35 ติดขึ้นสีเขียว

การบำรุงรักษาและการบริการ

การบำรุงรักษาและการทำความสะอาด

- ▶ **ตั้งปลั๊กไฟออกจากเต้าเสียบก่อนปรับแต่งเครื่องดูดฝุ่น**
- ▶ **เพื่อให้เครื่องดูดฝุ่นทำงานได้อย่างถูกต้องและปลอดภัย ต้องรักษาเครื่องดูดฝุ่นและช่องระบายอากาศให้สะอาดอยู่เสมอ**
- ▶ **สวมหน้ากากป้องกันฝุ่นเมื่อบำรุงรักษาและทำความสะอาดเครื่องดูดฝุ่น**

เมื่อจำเป็นต้องเปลี่ยนสายไฟฟ้า ให้ส่งเครื่องให้บริษัท มีอชหรือศูนย์บริการลูกค้าสำหรับเครื่องมือไฟฟ้า มีอช ที่ได้รับมอบหมายทำการเปลี่ยนให้ เพื่อหลีกเลี่ยงอันตรายด้านความปลอดภัย

ส่งเครื่องดูดฝุ่นให้บริษัทผู้ผลิตหรือบุคคลที่ได้รับความแนะนำเพียงพอ ทำการตรวจสอบทางเทคนิคเกี่ยวกับฝุ่นอย่างน้อยปีละครั้ง ค. ย. เช่น ตรวจสอบความเสียหายของไส้กรอง ความต้านรอยรั่วของเครื่องดูดฝุ่น และการทำงานของอุปกรณ์ควบคุม

หากเครื่องดูดฝุ่นประเภท M อยู่ในสภาพแวดล้อมที่ปนเปื้อน ควรทำความสะอาดภายนอกและชิ้นส่วนเครื่องทั้งหมด หรืออัดสารกันรั่ว เมื่อบำรุงรักษาและซ่อมแซม ส่วนประกอบทั้งหมดที่ปนเปื้อนที่ไม่สามารถทำความสะอาดจนเป็นที่น่าพอใจ จะต้องนำไปกำจัดต้องนำชิ้นส่วนดังกล่าวไปกำจัดโดยใส่ในถุงพลาสติกซีมผ่านไม่ได้ที่สอดคล้องกับกฎระเบียบเพื่อการกำจัดของเสียดังกล่าวที่บังคับใช้

สำหรับการบำรุงรักษาโดยผู้ใช้ ต้องถอดเครื่องดูดฝุ่นออก ทำความสะอาด และบำรุงรักษาเท่าที่จะทำได้ โดยไม่ทำให้เกิดอันตรายต่อพนักงานบำรุงรักษาหรือบุคคลอื่น ก่อนถอด ควรทำความสะอาดเครื่องดูดฝุ่นเพื่อป้องกันอันตรายที่อาจเกิดขึ้นได้ ห้องที่ทำการถอดเครื่องดูดฝุ่นควรถ่ายเทอากาศได้ดี สวมใส่อุปกรณ์ป้องกันร่างกายระหว่างบำรุงรักษา หลังการบำรุงรักษา ควรทำความสะอาดบริเวณที่ทำการบำรุงรักษา

การถอด/การเปลี่ยนตัวกรองแบบจับ (รูปภาพประกอบ I1 – I2)

- เปลี่ยนตัวกรองแบบจับ 26 ที่ซ้าชุดในทันที
- ดึงสลักล็อก 18 และเปิดฝาครอบตัวกรอง 36 ขึ้น
- จับตัวกรองแบบจับ 26 ตรงครึ่ง ดึงขึ้น และเอาออกมา
- เมื่อนำตัวกรองแบบจับ 26 ออกมา ให้ใช้ผ้าชุบน้ำบิดพอหมาดเช็ดฝุ่นและสิ่งสกปรกออกจากขอบปิดของฝาครอบตัวกรอง 36
- ตัวกรองแบบจับ PES และ PTFE สามารถชะล้างโดยปล่อยน้ำไหลผ่าน
- ใส่ตัวกรองแบบจับ 26 แผ่นใหม่หรือที่ผ่านการทำความสะอาดแล้ว และดูให้เข้าที่อย่างถูกต้องและแน่นหนา
- ปิดฝาครอบตัวกรอง 36 กลับเข้าที่ (ต้องได้ยินเสียงคลิก)

ถังบรรจุ

เข้ถังถังบรรจุ 1 เป็นครั้งคราวด้วยสารทำความสะอาดที่ไม่ทำให้เกิดรอยขีดข่วนที่มีจำหน่ายทั่วไป และตากให้แห้ง

เซนเซอร์ระดับ (รูปภาพประกอบ J)

ทำความสะอาดเซนเซอร์ระดับ 37 เป็นครั้งคราว

- ปลดขอยึด 13 และนำส่วนบนของเครื่องดูดฝุ่น 12 ออกไป
- ทำความสะอาดเซนเซอร์ระดับ 37 ด้วยผ้านุ่ม
- วางส่วนบนของเครื่องดูดฝุ่น 12 ลงอีกครั้งและปิดขอยึด 13

การจัดเก็บและการขนย้าย (รูปภาพประกอบ K)

- ม้วนสายไฟฟ้าไว้รอบที่ยึดสายไฟฟ้า 17
- เสียบอุปกรณ์ประกอบลงในที่ยึดที่มีไว้สำหรับวัตถุประสงค์นี้: ท่อดูดแข็ง 31 ในที่ยึด 19, หัวดูดสำหรับชอกมม 27 ในที่ยึด 20, หัวดูดพื้น 30 ในที่ยึด 21
- เปิดเส้นยางยึดของที่ยึดท่อดูด 4 และม้วนท่อดูด 24 รอบส่วนบนของเครื่องดูดฝุ่นเข้าในที่ยึด 4
- แขนวนเส้นยางยึดกลับเข้าที่
- ติดตั้ง L-Boxx เข้าบนตัวยึด 11
- ก่อนขนย้ายเครื่องดูดฝุ่น ให้ถอดถุงทิ้งขยะหรือถุงเก็บผงที่เต็มแล้ว หรือถ่ายของเหลวที่ดูดไว้ออกไป ทั้งนี้เพื่อป้องกันอาการปวดหลัง
- ถือหรือหัวเครื่องดูดฝุ่นโดยจับตรงตามถือ 10 เท่านั้น
- เมื่อต้องการขนย้ายเครื่องดูดฝุ่น ให้ขันฝาปิด 2 เข้าบนส่วนเชื่อมต่อท่อ 3
- เก็บเครื่องดูดฝุ่นในห้องที่แห้งและปิดแน่นเพื่อป้องกันการนำออกมาใช้โดยไม่ได้รับอนุญาต
- ล้อคล้อเลื่อน 16 โดยเหยียบเบรคล้อเลื่อน 15 ลง

การแก้ไขการทำงานที่ผิดปกติ

ปัญหา	มาตรการแก้ไข
ใบพัดเครื่องดูดฝุ่นไม่เริ่มทำงาน	<ul style="list-style-type: none"> - ตรวจสอบสายไฟฟ้า ปลั๊กไฟฟ้า พิวส์ เต้าเสียบ และเซนเซอร์ระดับ 37 - สวิตช์เลือก-โหมดทำงาน 7 อยู่ที่ "ระบบสตาร์ท/หยุดอัตโนมัติ" - สับสวิตช์เลือก-โหมดทำงาน 7 ไปที่สัญลักษณ์ "การดูด" - หรือเปิดสวิตช์เครื่องมือไฟฟ้าที่เชื่อมต่อที่เต้าเสียบ 5
ใบพัดเครื่องดูดฝุ่นปิดสวิตช์	<ul style="list-style-type: none"> - ถ่ายถังบรรจุ 1
ใบพัดเครื่องดูดฝุ่นไม่เริ่มทำงานอีกครั้งหลังจากถ่ายถังบรรจุแล้ว	<ul style="list-style-type: none"> - ปิดสวิตช์เครื่องดูดฝุ่นและรอ 5 วินาที หลังจาก 5 วินาทีให้เปิดสวิตช์อีกครั้ง - ทำความสะอาดเซนเซอร์ระดับ 37 และช่องว่างระหว่างเซนเซอร์ระดับ 37 ด้วยแปรง
พลังดูดลดลง	<ul style="list-style-type: none"> - เอาสิ่งอุดตันออกจากหัวดูด ท่อดูดแข็ง 31 ท่อดูด 24 หรือตัวกรองแบบจับ 26 - เปลี่ยนถุงขยะ 25 หรือถุงเก็บผง - ปิดฝาครอบตัวกรอง 36 ให้ขมเข้าที่อย่างถูกต้อง - สวมส่วนบนของเครื่องดูดฝุ่น 12 เข้าอย่างถูกต้องและปิดตะขอ 13 - เปลี่ยนตัวกรองแบบจับ 26
ฝุ่นหลุดออกมาขณะดูด	<ul style="list-style-type: none"> - ตรวจสอบความถูกต้องในการติดตั้งตัวกรองแบบจับ 26 - เปลี่ยนตัวกรองแบบจับ 26
ระบบปิดสวิตช์อัตโนมัติ (การดูดเปียก) ไม่ตอบสนอง	<ul style="list-style-type: none"> - ทำความสะอาดเซนเซอร์ระดับ 37 และช่องว่างระหว่างเซนเซอร์ระดับ 37 ด้วยแปรง - ระบบปิดสวิตช์อัตโนมัติไม่ทำงานเมื่อดูดของเหลวที่ไม่นำไฟฟ้าหรือโฟม - ตรวจสอบระดับเต็มตลอดเวลา
สัญญาณเสียงเตือนดังขึ้น	<ul style="list-style-type: none"> - ตั้งค่ากำลังดูดต่ำเกินไป - ปรับปุ่มควบคุมกำลังดูด 8 ไปที่ค่าสูงขึ้น - ตั้งค่าเส้นผ่านศูนย์กลางท่อไม่ถูกต้อง - ปรับปุ่มควบคุม-การไหลเชิงปริมาตร 6 ไปที่เส้นผ่านศูนย์กลางท่อที่ถูกต้อง - ท่อดูด 24 อุดตันหรือพับงอ - แก้ไขการอุดตันหรือพับงอ - ถุงขยะ/ถุงเก็บผงเต็ม - เปลี่ยนถุงขยะ 25 หรือถุงเก็บผง - ตัวกรองแบบจับ 26 สกปรก - ทำความสะอาดตัวกรองแบบจับหรือเปลี่ยนใหม่ หากจำเป็น - การไหลของอากาศไม่เพียงพอสำหรับเครื่องมือไฟฟ้าที่เชื่อมต่อ - เปิดช่องจ่ายอากาศ 34 ของปลอกเครื่องมือ 22: - หมุนวงแหวนบนปลอกเครื่องมือจนช่องจ่ายอากาศเปิดออกทั้งหมด - ถ้ามี: เปิดช่องจ่ายอากาศของเครื่องมือไฟฟ้า - การทำงานผิดปกติของอิเล็กทรอนิกส์ตรวจสอบ - ติดต่อศูนย์บริการลูกค้าที่ได้รับมอบอำนาจสำหรับเครื่องมือไฟฟ้า บ็อช
ระบบทำความสะอาดตัวกรองอัตโนมัติไม่ทำงาน	<ul style="list-style-type: none"> - เรียกใช้งานระบบทำความสะอาดตัวกรอง (กดปุ่ม AFC 9) - เชื่อมต่อท่อดูด 24
ระบบทำความสะอาดตัวกรองอัตโนมัติไม่สามารถปิดสวิตช์	<ul style="list-style-type: none"> - ติดต่อศูนย์บริการลูกค้าที่ได้รับมอบอำนาจสำหรับเครื่องมือไฟฟ้า บ็อช
ระบบทำความสะอาดตัวกรองอัตโนมัติไม่สามารถเปิดสวิตช์	<ul style="list-style-type: none"> - ติดต่อศูนย์บริการลูกค้าที่ได้รับมอบอำนาจสำหรับเครื่องมือไฟฟ้า บ็อช

การบริการหลังการขายและคำแนะนำการใช้งาน

ศูนย์บริการหลังการขายของเรายินดีตอบคำถามเกี่ยวกับการบำรุงรักษาและการซ่อมแซมผลิตภัณฑ์ของท่าน รวมทั้งชิ้นส่วนอะไหล่ ภาพแยกชิ้นประกอบและข้อมูลเกี่ยวกับชิ้นส่วนอะไหล่ยังสามารถดูได้ใน:

www.bosch-pt.com

ทีมงานให้คำแนะนำการใช้งานของ บ็อช ยินดีตอบคำถามเกี่ยวกับผลิตภัณฑ์ของเราและอุปกรณ์ประกอบของผลิตภัณฑ์ เมื่อต้องการสอบถามและสั่งซื้ออะไหล่ กรุณาแจ้งหมายเลขสินค้า 10 หลักบนแผ่นป้ายรุ่นของผลิตภัณฑ์ทุกครั้ง ในกรณีประกัน ซ่อมแซม หรือซื้อชิ้นส่วนมาเปลี่ยน กรุณาติดต่อ ผู้ขายที่ได้รับแต่งตั้งเท่านั้น

ไทย

บริษัท โรเบิร์ต บ็อช จำกัด
ชั้น 11 ตึกลิเบอร์ตี สแควร์
287 ถนนสีลม บางรัก
กรุงเทพฯ 10500
โทรศัพท์ 02 6393111
โทรสาร 02 2384783
บริษัท โรเบิร์ต บ็อช จำกัด ตู้ ปณ. 2054
กรุงเทพฯ 10501 ประเทศไทย
www.bosch.co.th

ศูนย์บริการซ่อมและฝึกอบรม บ็อช
อาคาร ลาซาลทาวเวอร์ ชั้น G ห้องเลขที่ 2
บ้านเลขที่ 10/11 หมู่ 16
ถนนศรีนครินทร์
ตำบลบางแก้ว อำเภอบางพลี
จังหวัดสมุทรปราการ 10540
ประเทศไทย
โทรศัพท์ 02 7587555
โทรสาร 02 7587525

การกำจัดขยะ

เครื่องดูดฝุ่น อุปกรณ์ประกอบ และหีบห่อ ต้องนำไปแยกประเภทวัสดุเพื่อนำกลับมาใช้ใหม่โดยไม่ทำลายสภาพแวดล้อม

อย่าทิ้งเครื่องดูดฝุ่นลงในขยะบ้าน!

ขอสงวนสิทธิ์ในการเปลี่ยนแปลงโดยไม่ต้องแจ้งล่วงหน้า

Bahasa Indonesia**Petunjuk-Petunjuk untuk Keselamatan Kerja**

Bacalah semua petunjuk-petunjuk untuk keselamatan kerja dan petunjuk-petunjuk untuk penggunaan. Kesalahan dalam menjalankan petunjuk-petunjuk untuk keselamatan kerja dan petunjuk-petunjuk untuk penggunaan dapat mengakibatkan kontak listrik, kebakaran dan/atau luka-luka yang berat.

Simpanlah semua petunjuk-petunjuk ini dengan baik.

▶ **Alat pengisap ini tidak dirancang untuk digunakan oleh anak-anak dan orang-orang yang memiliki keterbatasan fisik, mental ataupun sensorik atau kurangnya pengalaman dan pengetahuan.** Jika tidak, hal tersebut dapat menimbulkan risiko kesalahan pengoperasian dan menyebabkan cedera.

▶ **Awasi anak Anda.** Dengan demikian, Anda dapat memastikan anak-anak tidak bermain dengan alat pengisap.

⚠ PERHATIKANLAH Gunakan alat pengisap apabila Anda telah memiliki informasi yang cukup mengenai penggunaan alat pengisap, material yang diisap dan pembuangan yang aman. Mengikuti instruksi dengan hati-hati dapat mengurangi kesalahan pengoperasian dan cedera.

⚠ PERHATIKANLAH Mesin penghisap cocok untuk menghisap bahan-bahan yang kering dan setelah dilakukan perubahan-perubahan tertentu, juga cocok untuk menghisap cairan. Cairan yang merembes masuk menambah risiko terjadinya kontak listrik.

▶ **Janganlah menggunakan mesin untuk menghisap cairan yang mudah terbakar atau mudah meledak, misalnya bensin, minyak, alkohol, tiner. Janganlah menggunakan mesin untuk menghisap debu yang panas atau terbakar. Janganlah menggunakan mesin di ruangan yang terancam bahaya terjadinya ledakan.** Debu, uap dan cairan dapat menyulut sendiri atau meledak.

PERHATIKANLAH Gunakanlah stopkontak hanya untuk tujuan yang disebutkan di dalam petunjuk-petunjuk untuk penggunaan.

PERHATIKANLAH Matikan segera mesin penghisap, jika busa atau air merembes ke luar dan kosongkan segera tempat penampung debu. Jika hal ini tidak dilakukan, mesin penghisap bisa menjadi rusak.

PERHATIKANLAH Mesin penghisap hanya boleh disimpan di dalam ruangan.

PERHATIKANLAH Bersihkan sensor level cairan secara teratur dan periksa apakah terdapat kerusakan. Fungsi dapat terganggu jika terdapat kerusakan.

► Jika penggunaan mesin penghisap di tempat yang basah tidak bisa dihindarkan, gunakanlah sakelar pelindung terhadap arus penyimpangan. Penggunaan sakelar pelindung terhadap arus penyimpangan mengurangi risiko terjadinya kontak listrik.

► Sambungkan mesin penghisap hanya pada jaringan listrik dengan hubungan tanah yang memenuhi persyaratan. Stopkontak dan kabel penyambung harus dilengkapi dengan penghantar tanah yang berfungsi dengan baik.

► Setiap kali sebelum penggunaannya, periksalah mesin penghisap, kabel dan steker. Janganlah menggunakan mesin penghisap, jika ada kerusakan. Janganlah membuka sendiri mesin penghisap dan biarkan mesin penghisap direparasikan oleh orang-orang yang ahli dan berpengalaman saja dan hanya dengan menggunakan suku cadang asli bermerek Bosch. Mesin penghisap, kabel dan steker yang rusak menambah risiko terjadinya kontak listrik.

► Janganlah menggilas atau menghimpit kabel. Janganlah menarik pada kabel untuk mengeluarkan steker dari stopkontak atau menggerakkan mesin penghisap. Kabel yang rusak menambah risiko terjadinya kontak listrik.

► Selalu lepaskan steker dari stopkontak sebelum melakukan perawatan atau pembersihan, melakukan penyetelan, mengganti bagian aksesoris atau meletakkan mesin penghisap. Tindakan pencegahan ini dilakukan untuk menghindari penyalan mesin penghisap yang tidak diinginkan.

► Upayakanlah supaya ada pertukaran udara di tempat kerja.

► Biarkan mesin penghisap direparasikan hanya oleh orang-orang ahli yang berpengalaman dan hanya dengan menggunakan suku cadang yang asli bermerek Bosch. Dengan demikian keselamatan kerja dengan mesin penghisap selalu terjamin.

PERHATIKANLAH Mesin penghisap mengandung debu yang berbahaya bagi kesehatan. Biarkan orang-orang ahli saja yang melakukan pengeluaran debu dan perawatan mesin, termasuk membuang tempat penampung debu. Untuk melakukannya dibutuhkan sarana pelindung yang cocok. Janganlah menggunakan mesin penghisap tanpa sistem filter yang sempurna. Jika Anda tidak menaati petunjuk-petunjuk ini, ada bahaya bagi kesehatan Anda.

► Sebelum menggunakan mesin, periksalah keadaan slang penghisapan, apakah mulus. Selama melakukan ini, slang penghisapan harus dalam keadaan tersambung pada mesin penghisapan, supaya tidak keluar debu tanpa disengaja. Jika tidak, bisa jadi Anda menghirup debu.

► Janganlah menggunakan mesin penghisap sebagai tempat duduk. Mesin penghisap dapat menjadi rusak jika diduduki.

► Gunakanlah kabel listrik dan slang penghisapan secara teliti. Dengan benda-benda ini Anda dapat membahayakan orang lain.

► Janganlah membersihkan mesin penghisap dengan cara menyemprotkan air padanya. Air yang masuk ke dalam kepala pesawat menambah risiko terjadinya kontak listrik.

Simbol-Symbol

Simbol-simbol berikut bisa sangat membantu Anda selama penggunaan mesin penghisap. Pelajari dan ingati simbol-simbol berikut dan maknanya. Pengertian yang betul dari simbol-simbol ini bisa membantu Anda untuk menggunakan mesin penghisap dengan jitu dan selamat.

Simbol dan artinya



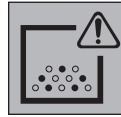
HATI-HATI Bacalah semua petunjuk-petunjuk untuk keselamatan kerja dan petunjuk-petunjuk untuk penggunaan. Kesalahan dalam menjalankan petunjuk-petunjuk untuk keselamatan kerja dan petunjuk-petunjuk untuk penggunaan dapat mengakibatkan kontak listrik, kebakaran dan/atau luka-luka yang berat.



Alat penghisap kategori debu M berdasarkan IEC/EN 60335-2-69 untuk pengisapan kering pada debu yang membahayakan kesehatan dengan nilai batas eksposisi $\geq 0,1 \text{ mg/m}^3$

48 | Bahasa Indonesia

Simbol dan artinya



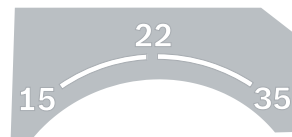
PERHATIKANLAH Mesin penghisap mengandung debu yang berbahaya bagi kesehatan. Biarkan orang-orang ahli saja yang melakukan pengeluaran debu dan perawatan mesin, termasuk membuang tempat penampung debu. Untuk melakukannya dibutuhkan sarana pelindung yang cocok. Janganlah menggunakan mesin penghisap tanpa sistem filter yang sempurna. Jika Anda tidak menaati petunjuk-petunjuk ini, ada bahaya bagi kesehatan Anda.



Mulai/Berhenti Otomatis
Mengisap debu dari perkakas listrik yang berjalan
Mesin pengisap menyala dan mati secara otomatis

Mematikan perkakas listrik

Menghisap
pengisapan endapan debu



15 Monitor kecepatan isap untuk diameter selang 15 mm
22 Monitor kecepatan isap untuk diameter selang 22 mm
35 Monitor kecepatan isap untuk diameter selang 35 mm



Min/Max Kontrol tanpa henti daya isap:
– daya isap maksimal untuk penggunaan dengan pembentukan debu yang tinggi
– Pengurangan daya isap untuk pemakaian dengan pembentukan debu yang rendah dan misalnya untuk mengatur daya isap antara alat yang terhubung dengan permukaan benda kerja (misalnya saat menggerinda)

Simbol dan artinya

max.
2200 W
min.
100 W

Menunjukkan input daya yang diperbolehkan dari perkakas listrik yang terhubung (spesifikasi negara)



AFC Pembersihan filter otomatis (AFC = Automatic Filter Cleaning)



Cukup klik L-Boxx.
Berat L-Boxx beserta isinya tidak boleh melebihi 15 kg.



► **Jangan menggantung mesin pengisap pada kait, misalnya pada saat pengangkutan.** Mesin pengisap tidak dapat dikerek. Terdapat risiko cedera dan kerusakan.



► **Jangan gunakan mesin pengisap sebagai kursi, tangga atau pijakan.** Mesin pengisap dapat terjungkir dan rusak. Terdapat risiko cedera.

Penjelasan tentang produk dan daya

Bukalah halaman lipatan dengan gambar dari mesin penghisap dan biarkan halaman ini terbuka selama Anda membaca petunjuk-petunjuk untuk penggunaan.

Penggunaan alat

Peralatan ini cocok untuk mengumpulkan, mengisap, mengangkat dan memisahkan serutan kayu seperti debu kering, cairan yang tidak mudah terbakar, dan campuran udara-air. Pengisap telah diuji dengan penyaringan debu dan sesuai dengan kategori debu M. Sangat cocok untuk meningkatkan tuntutan penggunaan komersial, misalnya dalam bidang pertukangan, industri, dan bengkel.

Pengisap kategori debu M berdasarkan IEC/EN 60335-2-69 hanya boleh digunakan untuk mengisap debu yang berbahaya bagi kesehatan dengan nilai batas eksposisi $\geq 0,1 \text{ mg/m}^3$.

Gunakanlah mesin penghisap hanya jika Anda mengenal dan menguasai semua fungsinya dan bisa melakukan semuanya

atau telah mendapat petunjuk-petunjuk yang rinci tentang penggunaannya.

Bagian-bagian pada gambar

Nomor-nomor dari bagian-bagian sesuai dengan nomor-nomor pada gambar mesin penghisap pada halaman bergambar.

- 1 Tempat penampung debu
- 2 Segel penyumbat untuk sambungan pengisapan
- 3 Pemegang slang penghisapan
- 4 Penahan selang isap
- 5 Stop kontak untuk perkakas listrik
- 6 Pengontrol kecepatan isap
- 7 Tombol pemilih mode pengoperasian
- 8 Pengontrol daya isap
(bukan pada nomor produk 3 601 JC3 170)
- 9 Tombol AFC
- 10 Gagang untuk mengangkat
- 11 Dudukan L-Boxx
- 12 Kepala pesawat
- 13 Kunci untuk kepala pesawat
- 14 Rotor
- 15 Rem caster
- 16 Caster
- 17 Cantelan untuk kabel
- 18 Flap penutup filter
- 19 Penahan untuk tabung isap
- 20 Braket untuk nosel celah/pipa pengisapan
- 21 Braket untuk nosel lantai
- 22 Adapter selang
- 23 Elbow saluran penghisap
- 24 Slang penghisapan
- 25 Kantung pembuangan
- 26 Filter flat-fold (PES)
- 27 Nosel celah
- 28 Tepi karet
- 29 Sikat
- 30 Nosel lantai
- 31 Tabung isap
- 32 Dudukan untuk braket selang isap
- 33 Tombol tekan
- 34 Lubang udara
- 35 LED kontrol
- 36 Penutup filter
- 37 Sensor level pengisian

Aksesori yang ada pada gambar atau yang dijelaskan, tidak termasuk pasokan standar dari perkakas listrik. Semua aksesori yang ada bisa Anda lihat dalam program aksesori Bosch.

Data teknis

Mesin pengisap Basah/Kering	GAS 35 M AFC	
Nomor model	3 601 JC3 1.. ... 170
Tegangan nominal	V 220–240**	110
Masukan nominal	W 1200	1000
Frekuensi	Hz 50/60	50/60
Volume tempat penampung debu (bruto)	l 35	35
Volume net (cair)	l 19	19
Volume kantung debu	l 19	19
Tekanan negatif maks.*		
– Pengisap	hPa 230	211
– Turbin	hPa 254	242
Kecepatan isap maks.*		
– Pengisap	l/s 36 m ³ /s 0,036	31 0,031
– Turbin	l/s 74 m ³ /s 0,074	71 0,071
Daya pengisap maks.	W 1380	1150
Permukaan filter flat fold	m ² 0,615	0,615
Kategori debu	M	M
Berat sesuai dengan EPTA-Procedure 01:2014	kg 12,4	12,4
Klasifikasi keamanan	⊕/I	⊕/I
Jenis keamanan	IP X4	IP X4

*dihitung dengan selang isap dengan panjang Ø 35 mm dan 5 m

**Informasi berlaku untuk tegangan nominal [U] 230 V. Untuk tegangan yang lebih rendah dan bagi negara tertentu, nilai-nilai ini dapat bervariasi.

Mulai/Berhenti Otomatis*	Tegangan nominal	Daya maksimal	Daya minimal
EU	220–240 V	2200 W	100 W
UK	110 V	750 W	100 W

* Menunjukkan input daya yang diperbolehkan dari perkakas listrik yang terhubung (spesifikasi negara)

Cara memasang

▶ **Sebelum melakukan semua jenis pekerjaan pada mesin penghisap, tariklah steker dari stopkontak.**

Memasang braket selang isap (lihat gambar A)

- Dorong braket selang isap **4** dari atas ke dudukan yang disediakan **32**, hingga terkunci.

Memasang slang penghisapan (lihat gambar B)

- Pasang selang isap **24** pada braket selang isap **3** lalu putar selang isap searah jarum jam hingga berhenti.

Petunjuk: Saat pengisapan terdapat gesekan dari debu di selang isap dan aksesori, pengguna dapat merasakan muatan elektrostatik (tergantung pada kondisi lingkungan dan dorongan tubuh).

50 | Bahasa Indonesia

Bosch merekomendasikan untuk digunakan selang isap antistatik (aksesori) ketika pengisapan debu halus.

Memasang aksesoris mesin penghisap (lihat gambar C)

Selang isap **24** dilengkapi dengan sistem klip, dengan aksesoris mesin pengisap (adapter selang **22**, manifold isap **23**) yang dapat terhubung.

Memasang adapter selang

- Pasang adapter selang **22** pada selang isap **24** hingga kedua tombol **33** pada selang isap terdengar terpasang.
- Untuk membongkar, tekan tombol **33** dan tarik ke dalam dan pisahkan komponen.

Memasang nosel dan pipa

- Pasang manifold isap **23** pada selang isap **24**, hingga kedua tombol **33** pada selang isap terdengar terpasang.
- Kemudian masukkan aksesoris tambahan (nosel untuk lantai, nosel celah, tabung isap, dll.) yang diinginkan ke manifold isap **23**.
- Untuk membongkar, tekan tombol **33** dan tarik ke dalam dan pisahkan komponen.

Memasang/melepas kantung pembuangan atau kantung debu (pengisapan kering) (lihat gambar-gambar D1 – D2)

Anda **harus** memasang kantung pembuangan **25** atau kantung debu untuk pengisapan kering pada material yang termasuk kategori debu M.

Pengisapan tanpa atau dengan nilai batas eksposisi $\geq 1 \text{ mg/m}^3$ (sesuai dengan kategori debu L), material yang diisap dapat langsung diisap ke dalam wadah.

Petunjuk: Ketika menggunakan kantung filter kertas Anda **harus** memasang kantung pembuangan, dan **sebaiknya** Anda mematikan mode pembersihan filter otomatis (AFC) saat memakai kantung filter dari bahan bulu domba (lihat „Menonaktifkan AFC“, halaman 52).

⚠ PERHATIKANLAH Mesin penghisap mengandung debu yang berbahaya bagi kesehatan. Biarkan orang-orang ahli saja yang melakukan pengeluaran debu dan perawatan mesin, termasuk membuang tempat penampungan debu. Untuk melakukannya dibutuhkan sarana pelindung yang cocok. Janganlah menggunakan mesin penghisap tanpa sistem filter yang sempurna. Jika Anda tidak menaati petunjuk-petunjuk ini, ada bahaya bagi kesehatan Anda.

- Buka kunci-kunci untuk kepala pesawat **13** dan singkirkan kepala pesawat **12**.
- Letakkan kantung pembuangan **25** dengan lubang pengisian ke depan ke dalam wadah **1**.
- Tarik lubang pengisian dengan flensa penghubung sampai ke ujung flensa penghubung.
- Pastikan bahwa kantung pembuangan **25** sepenuhnya berada pada dinding dalam wadah **1**.
- Hentak sisa kantung pembuangan **25** pada bagian ujung wadah **1**.
- Masukkan bagian atas mesin pengisap **12** kembali dan tutup penutup **13**.

Membuka dan menutup kantung pembuangan

- Buka kunci-kunci untuk kepala pesawat **13** dan singkirkan kepala pesawat **12**.
- Lepas kantung pembuangan **25** yang terisi penuh dari flensa penghubung ke belakang.
- Keluarkan kantung pembuangan **25** dengan hati-hati dari alat pengisap tanpa merusak kantungnya. Pastikan bahwa kantung pembuangan tidak menggesek flensa penghubung atau benda tajam lainnya.
- Ambil lakban, rekatkan lalu tutup kantung pembuangan. Kemudian, ikat kantung pembuangan **25** di bawah lubang pengisian dengan lakban.

Mengganti/memasang kantung debu (aksesori)

- Buka kunci-kunci untuk kepala pesawat **13** dan singkirkan kepala pesawat **12**.
- Tarikkan kantung debu yang sudah penuh dari flensa sambungan ke belakang sampai copot. Tutupkan lubang dari kantung debu dengan cara melipatkan tutupnya. Keluarkan kantung debu yang sudah ditutup dari mesin penghisap.
- Dorong kembali kantung debu pada flensa penghubung mesin pengisap debu. Pastikan, bahwa kantung debu panjangnya mencapai dinding penampung **1**.
- Masukkan bagian atas mesin pengisap **12** kembali dan tutup penutup **13**.

Memasang tepi karet (Menghisap cairan) (lihat gambar E)

Petunjuk: Persyaratan mengenai penghantaran arus listrik (kategori debu M) telah dibuktikan hanya untuk pengisapan kering (dry vacuuming).

- Angkat sikat **29** dengan alat yang cocok dari nosel lantai **30**.
- Pasangkan tepi karet **28** di nosel untuk lantai **30**.

Petunjuk: Sisi yang berstruktur pada tepi karet harus menghadap keluar.

Klik L-Boxx (lihat gambar F)

Cukup buka L-Boxx dengan meng-klik pada bagian atas alat pengisap untuk memindahkan alat pengisap dan untuk menghemat ruang penyimpanan aksesoris dan/atau alat.

- Klik L-Boxx pada kedudukan **11**.
- ▶ **Jangan mengangkat mesin pengisap pada gagang L-Boxx yang telah di-klik.** Gagang L-Boxx tidak dapat menahan berat alat pengisap. Terdapat risiko cedera dan kerusakan.

Penggunaan

Cara penggunaan

- ▶ **Perhatikanlah tegangan jaringan listrik! Tegangan pengadaan listrik harus sesuai dengan data-data yang tercantum pada label tipe mesin penghisap.**
- ▶ **Carilah informasi tentang peraturan/hukum yang berlaku mengenai penanganan debu berbahaya di negara Anda.**

Alat pengisap diperbolehkan untuk mengisap material berikut ini:

- Debu dengan nilai batas eksposisi $\geq 0,1 \text{ mg/m}^3$

Mesin penghisap mutlak tidak boleh digunakan di ruang di mana dapat terjadi ledakan.

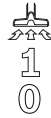
Untuk menghemat daya, hanya nyalakan mesin penghisap ketika Anda gunakan.

Untuk memastikan kinerja mesin pengisap telah berjalan dengan optimal, Anda harus mengoperasikan selang isap **24** secara lengkap dari bagian atas mesin pengisap **12**.

pengisapan kering

pengisapan endapan debu

- Setel kontrol kecepatan isap **6** pada diameter selang yang digunakan.
- Untuk **menyalakan** alat pengisap, setel switch pemilih mode pengoperasian **7** pada simbol „Isap“.
- Untuk **Mematikan** alat pengisap, atur switch pemilih mode pengoperasian **7** pada simbol „Off“.



Alat pengisap dilengkapi dengan monitor kecepatan isap. Monitor kecepatan isap disetel di mode pengoperasian „Isap“ pada nilai 20 m/s, terlepas dari penyetelan dari pengontrol kecepatan isap **6**.

Apabila nilai ini menurun, akan terdengar sinyal peringatan, misalnya karena disebabkan oleh kotoran yang terkumpul di selang pengisap, kantong debu yang terisi penuh atau ekstensi filter flat-fold. Untuk itu, matikan alat pengisap dan periksa mesin pengisap seperti yang dijelaskan di bagian „Membetulkan storing“.

Mengisap debu dari perkakas listrik yang berjalan (lihat gambar G)

- **Harus ada ruang pertukaran udara (L) yang cukup di dalam saat udara buang kembali ke ruangan. Perhatikan peraturan nasional yang relevan.**

Di dalam mesin pengisap terintegrasi dengan stop kontak pengaman **5**. Anda dapat menghubungkan perkakas listrik eksternal. Amati daya koneksi maksimum yang diizinkan dari perkakas listrik yang terhubung.

Kecepatan isap minimal tidak boleh terlalu rendah pada alat yang terhubung, agar debu dapat terisap dengan baik ke dalam tangki pengisapan.

Diameter selang	Penyetelan kecepatan isap
35 mm	57,9 m ³ /h
22 mm	41,2 m ³ /h
15 mm	12,7 m ³ /h

- Setel kontrol kecepatan isap **6** pada diameter selang yang digunakan.
- Pasang adapter selang **22** (lihat „Memasang adapter selang“, halaman 50).
- Pasang adapter selang **22** ke dalam manifold isap perkakas listrik.

- Untuk **mengaktifkan mode start/stop otomatis** pada alat pengisap, setel switch pemilih mode pengoperasian **7** pada simbol „start/stop otomatis“.



Dalam mode pengoperasian ini, kecepatan isap akan dikontrol secara elektronik sesuai pengaturan pada pengontrol **6**. Debu akan terisap dengan baik apabila Anda memilih penyetelan yang tepat.

- Nyalakan **Pengaktifan** mesin pengisap pada stop kontak **5** yang terhubung pada perkakas listrik. Mesin pengisap menyala otomatis.
- Matikan perkakas listrik, untuk **mematikan pengisapan**. Mode mulai/berhenti otomatis berjalan sampai 15 detik untuk mengisap residu debu dari selang isap.
- Untuk **Mematikan** alat pengisap, atur switch pemilih mode pengoperasian **7** pada simbol „Off“.

Apabila sinyal peringatan berbunyi, mesin pengisap harus diperiksa seperti yang dijelaskan di bagian „Membetulkan storing“.

Menghisap cairan

- **Janganlah menggunakan mesin untuk menghisap cairan yang mudah terbakar atau mudah meledak, misalnya bensin, minyak, alkohol, tiner. Janganlah menggunakan mesin untuk menghisap debu yang panas atau terbakar. Janganlah menggunakan mesin di ruangan yang terancam bahaya terjadinya ledakan.**

Debu, uap dan cairan dapat menyulut sendiri atau meledak.

- **Janganlah sekali-kali menggunakan mesin penghisap sebagai pompa air.** Mesin penghisap cocok untuk menghisap campuran udara dan air.
- **Sebelum melakukan semua jenis pekerjaan pada mesin penghisap, tariklah steker dari stopkontak.**

Petunjuk: Persyaratan mengenai penghantaran arus listrik (kategori debu M) telah dibuktikan hanya untuk pengisapan kering (dry vacuuming).

- Lepas kantong pembuangan **25** atau kantong debu sebelum mengerjakan pengisapan basah lalu kosongkan wadah **1**.

Petunjuk: Untuk mempermudah pembuangan, gunakan kantong filter basah (aksesori) saat mengisap campuran air dengan material padat guna memisahkan cairan dari material padat tersebut.

- Pasangkan tepi karet di nosel lantai (lihat „Memasang tepi karet“, halaman 51).
- Matikan pembersihan filter otomatis (AFC) (lihat „Menonaktifkan AFC“, halaman 52).

Alat pengisap dilengkapi dengan sensor level pengisian **37**. Apabila mencapai tinggi maksimal, mesin isap akan mati. Setel switch pemilih mode pengoperasian **7** pada simbol „Off“.

Petunjuk: Alat pengisap tidak akan mati saat wadah penuh ketika mengisap cairan yang tidak menghantarkan arus listrik (misalnya emulsi bor, oli dan minyak). Level pengisian harus selalu diperiksa dan kosongkan wadah tepat pada waktunya.

52 | Bahasa Indonesia

Apabila sinyal peringatan berbunyi saat mengerjakan pengisapan basah, keamanan fungsi alat pengisap tidak mengalami gangguan. Tidak diperlukan tindakan untuk memperbaiki gangguan.

- Kencangkan segel penyumbat **2** untuk memindahkan mesin pengisap ke kedudukan selang **3**.

Untuk menghindari pembentukan cetakan pada saat pengisapan basah:

- Lepas filter flat-fold **26** dan biarkan mengering.
- Lepas bagian atas alat pengisap **12**, lalu buka penutup filter **36** dan biarkan keduanya mengering.

Pembersihan filter**Pembersihan filter otomatis (lihat gambar H)**

Saat membersihkan filter otomatis (AFC = Automatic Filter Cleaning), filter flat-fold **26** akan dibersihkan dengan udara embus selama 15 detik (suara getaran).

Setidaknya ketika daya isap tidak lagi cukup, filter harus dioperasikan.

Usia pakai filter akan bertambah jika filter dibersihkan secara teratur.

Agar filter memiliki usia pakai yang lama, matikan pembersih filter otomatis hanya pada kasus khusus, misalnya saat mengisap cairan murni atau ketika memakai kantung filter kertas.

Filter flat-fold yang bagian atasnya kotor masih dapat berfungsi dengan baik. Jangan memukul-mukulkan atau meniuip filter flat-fold ketika membersihkan secara manual karena dapat merusak filter.

Petunjuk: Pengaktifan mode pembersihan filter otomatis telah dilakukan di pabrik.

Menyalakan/mematikan mode pembersihan filter otomatis hanya dapat dilakukan pada saat alat dinyalakan.

- **Menonaktifkan AFC**
Tekan tombol AFC **9**.
Kontrol LED **35** mati.
- **Mengaktifkan AFC**
Tekan tombol AFC **9**.
Kontrol LED **35** menyala hijau.

Rawatan dan servis**Rawatan dan kebersihan**

- ▶ **Sebelum melakukan semua jenis pekerjaan pada mesin penghisap, tariklah steker dari stopkontak.**
- ▶ **Jagalah supaya mesin penghisap dan lubang ventilasi selalu bersih, supaya mesin penghisap bisa digunakan dengan baik dan keselamatan kerja terjamin.**
- ▶ **Pakailah masker debu untuk perawatan dan pembersihan mesin pengisap.**

Jika kabel listrik harus digantikan, pekerjaan ini harus dilakukan oleh Bosch atau Service Center untuk perkakas listrik Bosch yang resmi, supaya keselamatan kerja selalu terjamin.

Sedikit-dikitnya satu kali per tahun teknik debu mesin penghisap harus diperiksa oleh produsen atau orang ahli yang

telah mendapat latihannya, misalnya harus diperiksa, apakah ada kerusakan pada filter, apakah ada kebocoran pada mesin penghisap dan bagaimana fungsi sarana monitoringnya.

Seluruh komponen mesin sebaiknya dibersihkan atau ditangani dengan menggunakan penyegel saat mengerjakan pengisapan kategori **M** di lingkungan yang kotor. Buang semua komponen yang kotor, yang tidak dapat dibersihkan dengan sempurna ketika melakukan perawatan atau reparasi. Komponen tersebut harus dibuang dalam kantong non-transparan sesuai dengan ketentuan yang berlaku untuk pembuangan sampah tersebut.

Jika pengguna mesin penghisap bermaksud untuk melakukan perawatan, mesin penghisap harus dibongkar, dibersihkan dan dirawat, jika memang dapat dilakukan tanpa menimbulkan bahaya bagi orang yang melakukan perawatan dan orang lainnya. Sebelum membongkar mesin penghisap, bersihkan dahulu, untuk mencegah timbulnya bahaya. Di ruang di mana mesin penghisap dibongkar harus ada pertukaran udaranya. Selama melakukan perawatan, pakailah sarana pelindung badan. Setelah pekerjaan perawatan rampung, tempat di mana dilakukan perawatan harus dibersihkan.

Melepas/mengganti filter flat-fold (lihat gambar-gambar I1 – I2)

Segera ganti filter flat-fold yang rusak **26**.

- Tarik flap penutup **18** dan buka penutup filter **36**.
- Pegang filter flat-fold **26** pada gagangnya lalu tarik filter ke atas.
- Bersihkan debu dan kotoran yang muncul saat mencabut filter flat-fold **26**, menggunakan kain basah dari ujung penutup pada penutup filter **36**.
Filter flat-fold PES dan PTFE dapat dibilas dengan air yang mengalir.
- Pasang filter flat-fold **26** yang baru atau yang telah dibersihkan dan pastikan terpasang dengan aman dan benar.
- Tutup kembali penutup filter **36** (harus terdengar saat terkunci).

Tempat penampung debu

Bersihkan tempat penampung debu **1** secara berkala dengan cara menyeka dengan deterjen yang lazim bisa dibeli dan tidak menyebabkan goresan pada permukaan dan biarkannya menjadi kering.

Sensor level pengisian (lihat gambar J)

Sesekali bersihkan sensor level pengisian **37**.

- Buka kunci-kunci untuk kepala pesawat **13** dan singkirkan kepala pesawat **12**.
- Bersihkan sensor level pengisian **37** menggunakan kain yang lembut.
- Masukkan bagian atas mesin pengisap **12** kembali dan tutup penutup **13**.

Menyimpan dan transpor (lihat gambar K)

- Gulung kabel listrik pada gulungan kabel **17**.
- Masukkan aksesoris ke braket yang disediakan: tabung isap **31** ke braket **19**, nosel celah **27** ke braket **20**, nosel lantai **30** ke braket **21**.

- Buka pengikat elastis pada braket selang isap **4** lalu pasang selang isap **24** di sekitar bagian atas alat pengisap ke braket **4**.
Gantungkan kembali pengikat elastis.
- Klik L-Boxx padaudukan **11**.
- Lepas kantong pembuangan atau kantong debu yang telah penuh atau bersihkan cairan yang terkumpul sebelum memindahkan alat pengisap untuk menghindari cedera punggung.
- Bawalah mesin pengisap hanya pada gagang pegangannya **10**.
- Kencangkan segel penyumbat **2** untuk memindahkan mesin pengisap ke dudukan selang **3**.
- Matikan pengisap di tempat yang kering dan pastikan bahwa mesin tidak disalahgunakan.
- Untuk menghentikan caster **16**, injaklah rem caster **15** di bagian bawah.

Membetulkan stiring

Masalah	Tindakan untuk mengatasi
Turbin isap tidak berjalan.	<ul style="list-style-type: none"> - Periksa kabel listrik, steker listrik, sekering, stop kontak dan sensor level pengisian 37. Tombol pemilih mode pengoperasian 7 diatur ke mode „Mulai/Berhenti-Otomatis“. - Atur tombol pemilih mode pengoperasian 7 pada simbol „isap“ atau nyalakan perkakas listrik 5 yang terhubung pada stop kontak.
Turbin isap mati.	<ul style="list-style-type: none"> - Kosongkan penampung debu 1.
Turbin isap tidak berjalan lagi setelah pengosongan penampung debu.	<ul style="list-style-type: none"> - Matikan mesin pengisap dan tunggu 5 detik, hidupkan setelah 5 detik. - Bersihkan sensor level pengisian 37 seperti celah pada sensor level pengisian 37 dengan menggunakan sikat.
Daya isap menurun.	<ul style="list-style-type: none"> - Bersihkan sumbatan-sumbatan pada nosel isap, tabung isap 31, selang isap 24 atau filter flat-fold 26. - Ganti kantong pembuangan 25 atau kantong debu. - Kunci penutup filter 36 dengan benar. - Tempatkan 12 bagian atas mesin pengisap dan tutup penutup 13. - Ganti filter flat-fold 26.
Debu keluar ketika pengisapan	<ul style="list-style-type: none"> - Periksa pemasangan filter flat-fold 26. - Ganti filter flat-fold 26.
On/off otomatis tidak merespon.	<ul style="list-style-type: none"> - Bersihkan sensor level pengisian 37 seperti celah pada sensor level pengisian 37 dengan menggunakan sikat. Listrik tidak bekerja pada pengisapan otomatis untuk cairan dan busa. - Periksa terus menerus isian.
Sinyal peringatan berbunyi.	<ul style="list-style-type: none"> Daya isap disetel terlalu rendah. - Setel pengontrol daya isap 8 pada nilai yang lebih tinggi. Menggunakan diameter selang yang salah. - Setel pengontrol kecepatan isap 6 pada diameter selang pengisap dengan benar. Selang pengisap 24 tersumbat atau tertekuk. - Bersihkan sumbatan atau tekukan. Kantong pembuangan/kantong debu penuh. - Ganti kantong pembuangan 25 atau kantong debu. Filter flat-fold 26 kotor. - Bersihkan filter flat-fold atau ganti bila perlu. Tidak terdapat cukup aliran udara melalui alat yang terhubung. - Buka lubang udara palsu (false air) 34 pada lengan alat 22: putar gelang pada lengan alat hingga lubang udara palsu (false air) terbuka sepenuhnya. - Jika tersedia: buka lubang udara palsu (false air) pada alat. Kegagalan fungsi alat monitor. - Hubungilah satu Service Center Bosch yang resmi.

54 | Tiếng Việt

Masalah	Tindakan untuk mengatasi
Pembersihan filter otomatis tidak bekerja.	- Aktifkan pembersih filter (tekan tombol AFC9). - Sambungkan selang isap 24 .
Pembersihan filter otomatis tidak dapat dimatikan.	- Hubungilah satu Service Center Bosch yang resmi.
Pembersihan filter otomatis tidak dapat dinyalakan.	- Hubungilah satu Service Center Bosch yang resmi.

Layanan pasca beli dan konseling terkait pengoperasian

Layanan pasca beli Bosch menjawab semua pertanyaan Anda terkait reparasi dan maintenance serta suku cadang produk ini. Gambar tiga dimensi dan informasi terkait suku cadang dapat Anda lihat di:

www.bosch-pt.com

Tim konseling pengoperasian dari Bosch dengan senang hati membantu Anda, jika Anda hendak bertanya tentang produk-produk kami dan aksesorisnya.

Jika Anda hendak menanyakan sesuatu atau memesan suku cadang, sebutkan selalu nomor model yang terdiri dari 10 angka dan tercantum pada label tipe produk.

Indonesia

PT Robert Bosch
Palma Tower 10th Floor
Jl. RA Kartini II-S Kaveling 6 Sek II
Pondok Pinang, Kebayoran Lama
Jakarta Selatan 12310
Indonesia
Tel.: (021) 3005 5800
Fax: (021) 3005 5801
E-Mail: boschpowertools@id.bosch.com
www.bosch-pt.co.id

Cara membuang

Mesin penghisap, aksesoris dan kemasan sebaiknya didaur ulang sesuai dengan upaya untuk melindungi lingkungan hidup.

Janganlah membuang mesin penghisap dalam sampah rumah tangga!

Perubahan dapat terjadi tanpa pemberitahuan sebelumnya.

Tiếng Việt**Các Nguyên Tắc An Toàn**

Đọc kỹ mọi cảnh báo an toàn và mọi hướng dẫn. Không tuân thủ mọi cảnh báo và hướng dẫn được liệt kê dưới đây có thể bị điện giật, gây cháy và/hay bị thương tật nghiêm trọng.

Hãy giữ lại các tài liệu hướng dẫn này.

► **Máy hút bụi này không thiết kế dành cho đối tượng sử dụng là trẻ em và người bị hạn chế về thể chất, khả năng giác quan kém hoặc tâm thần hoặc thiếu kinh nghiệm và thiếu hiểu biết.** Nếu không sẽ có nguy cơ sai sót khi vận hành và gây thương tích.

► **Hãy giám sát trẻ em.** Để đảm bảo rằng, trẻ em không chơi với máy hút bụi này.

⚠ CẢNH BÁO Chỉ sử dụng máy hút bụi, khi bạn đã có đủ thông tin về việc sử dụng máy hút bụi, về chất được hút và về việc xử lý an toàn. Một bản hướng dẫn chi tiết sẽ giúp làm giảm sai sót khi vận hành và tránh bị thương tích.

⚠ CẢNH BÁO Máy hút bụi thích hợp để hút vật liệu khô và, bằng cách tuân theo các biện pháp thích hợp, cũng có thể hút chất lỏng. Sự xâm nhập của các chất lỏng làm tăng nguy cơ bị điện giật.

- ▶ **Không được hút loại chất lỏng dễ cháy hoặc nổ; ví dụ như benzen, dầu, cồn, dung môi. Không được hút rác bị nóng hay đang cháy. Không được vận hành máy trong phòng, nơi có nguy cơ gây ra sự cố nổ. Rác, chất khí, chất lỏng loại có thể gây cháy hay nổ.**

⚠ CẢNH BÁO Chỉ sử dụng ổ cắm cho mục đích đã được chỉ rõ trong phần hướng dẫn sử dụng.

⚠ CẢNH BÁO Tắt máy hút bụi ngay lập tức khi có bọt hay nước trào ra khỏi máy, và đổ sạch khoang chứa. Nếu không, có thể làm cho máy hút bụi bị hỏng.

⚠ Lưu ý Máy hút bụi chỉ nên đặt trong nhà.

⚠ Lưu ý Bạn hãy làm sạch các cảm biến mức nạp đầy của các chất lỏng đều đặn và kiểm tra xem liệu các cảm biến đó có bị hư hại. Nếu không thì có thể làm suy giảm chức năng.

- ▶ **Khi vận hành máy hút bụi ở môi trường ẩm ướt, hãy sử dụng thiết bị ngắt mạch tự động (RCD). Sử dụng thiết bị ngắt mạch tự động (RCD) làm giảm nguy cơ bị điện giật.**
- ▶ **Nối máy hút bụi vào nguồn cung cấp điện có dây nối đất thích hợp. Ổ cắm điện nguồn và dây cắm nối phải có dây dẫn bảo vệ sự hoạt động.**
- ▶ **Trước mỗi lần sử dụng, kiểm tra máy hút bụi, cáp và phích cắm. Không được sử dụng máy hút bụi khi phát hiện hư hỏng. Không được tự ý mở máy hút bụi, và chỉ giao máy hút bụi cho thợ chuyên môn sử dụng phụ tùng thay thế chính hãng để sửa chữa. Làm hư hại máy hút bụi, cáp và phích cắm làm tăng nguy cơ điện giật.**
- ▶ **Không được cán qua, làm dập hay kéo căng dây cáp điện. Không được kéo dây cáp điện để kẹp phích cắm ra khỏi ổ điện hay để di chuyển máy hút bụi. Dây cáp điện bị hỏng làm tăng nguy cơ bị điện giật.**
- ▶ **Hãy tháo phích cắm ra khỏi ổ cắm điện, trước khi bạn bảo dưỡng hoặc làm sạch, điều chỉnh thiết bị, thay phụ kiện, hoặc để xa máy hút bụi. Biện pháp thận trọng sẽ tránh việc khởi động máy hút bụi không chủ ý.**
- ▶ **Tạo cho nơi làm việc được thông thoáng tốt.**
- ▶ **Chỉ đưa máy hút bụi cho thợ chuyên môn có khả năng và chỉ sử dụng phụ tùng thay thế chính hãng để sửa chữa. Điều này bảo đảm cho sự an toàn của máy hút bụi của bạn được giữ nguyên.**

⚠ CẢNH BÁO Máy hút bụi chứa các chất liệu gây nguy hại cho sức khỏe con người. Chỉ giao máy cho các thợ chuyên môn thực hiện việc làm sạch và bảo quản, bao gồm cả khoang chứa bụi thải. Cần có các trang thiết bị bảo hộ thích hợp. Không được vận hành máy hút bụi mà không có hệ thống lọc hoàn chỉnh. Nếu không, có sự nguy hiểm cho sức khỏe của chính bạn.

- ▶ **Trước khi khởi động lại, kiểm tra tình trạng phù hợp của vòi hút. Khi thực hiện điều này, để vòi hút gắn vào máy hút bụi để tránh bụi tuôn ra ngoài. Nếu không, bạn có thể hít phải bụi.**
- ▶ **Không được sử dụng máy hút bụi như là ghế ngồi. Máy hút bụi có thể bị hư hỏng.**
- ▶ **Sử dụng cáp điện chính và vòi hút một cách cẩn thận. Có thể gây nguy hại cho những người khác.**
- ▶ **Không được làm sạch máy hút bụi bằng vòi phun nước hướng thẳng vào máy. Sự xâm nhập của nước vào bên trong nắp của máy hút bụi làm tăng nguy cơ bị điện giật.**

Các Biểu Tượng

Các biểu tượng sau đây hàm chứa ý nghĩa cho việc sử dụng máy hút bụi của bạn. Xin vui lòng lưu ý các biểu tượng và ý nghĩa của chúng. Sự hiểu đúng các biểu tượng sẽ giúp bạn sử dụng máy hút bụi đúng cách thức và an toàn hơn.

Biểu tượng và ý nghĩa của chúng



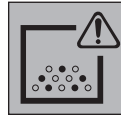
⚠ LƯU Ý Đọc kỹ mọi cảnh báo an toàn và mọi hướng dẫn. Không tuân thủ mọi cảnh báo và hướng dẫn được liệt kê dưới đây có thể bị điện giật, gây cháy và/hay bị thương tật nghiêm trọng.



Máy hút bụi loại bụi M theo IEC/EN 60335-2-69 về **hút khô** từ các loại bụi gây hại cho sức khỏe với giới hạn tiếp xúc là $\geq 0,1 \text{ mg/m}^3$

56 | Tiếng Việt

Biểu tượng và ý nghĩa của chúng



⚠ CẢNH BÁO Máy hút bụi chứa các chất liệu gây nguy hại cho sức khỏe con người. Chỉ giao máy cho các thợ chuyên môn thực hiện việc làm sạch và bảo quản, bao gồm cả khoang chứa bụi thải. Cần có các trang thiết bị bảo hộ thích hợp. Không được vận hành máy hút bụi mà không có hệ thống lọc hoàn chỉnh. Nếu không, có sự nguy hiểm cho sức khỏe của chính bạn.



Tự động Khởi động-/Ngừng
Hút sạch các loại bụi phát sinh từ các dụng cụ điện
Máy hút bụi tự động khởi động và trì hoãn kết thúc

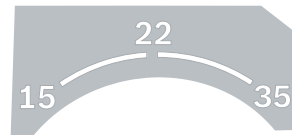
0



1

Để tắt máy

Hút sạch các loại bụi bám lâu ngày



- 15** Giám sát lưu lượng thể tích đối với đường kính ống là 15 mm
- 22** Giám sát lưu lượng thể tích đối với đường kính ống là 22 mm
- 35** Giám sát lưu lượng thể tích đối với đường kính ống là 35 mm



Min/Max Liên tục điều chỉnh lực hút:

- Công suất hút tối đa để sử dụng cho những đám bụi lớn
- Công suất hút giảm để sử dụng cho những đám bụi nhỏ và để điều chỉnh lực hút giữa dụng cụ điện đã kết nối và bề mặt phối gia công (ví dụ như khi mài)

Biểu tượng và ý nghĩa của chúng

max.
2200 W
min.
100 W

Chỉ số công suất nổi cho phép của dụng cụ điện đã kết nối (tiêu chuẩn quốc gia)



AFC Vệ sinh bộ lọc tự động (AFC = Automatic Filter Cleaning)



max. 1 L-Boxx
max. 15 kg

Chỉ gắn vào tối đa một L-Boxx.
Sức chứa của L-Boxx không được phép vượt quá 15 kg.



► **Không treo máy hút bụi trên móc cân cấu, ví dụ như khi vận chuyển.** Máy hút bụi này không thích hợp cho vận chuyển bằng cân cấu. Việc này bao gồm các nguy hiểm gây thương tích và tổn hại.



► **Không sử dụng máy hút bụi làm ghế ngồi, thang hoặc đạp chân.** Máy hút bụi có thể bị đổ và bị hư hại. Việc này bao gồm nguy hiểm gây thương tích.

Mô Tả Sản Phẩm và Đặc Tính Kỹ Thuật

Trong khi đọc các hướng dẫn sử dụng này, xin mở các trang gấp hình ảnh của máy hút bụi và để mở nguyên như vậy.

Dành sử dụng cho

Máy hút bụi này được dùng để thu gom, hút, hỗ trợ, loại bỏ các vỏ bào, loại bụi khô và các chất lỏng không bắt lửa cũng như hỗn nước không khí. Máy hút bụi cần được kiểm tra về kỹ thuật và phải tương ứng với loại bụi M. Máy hút bụi này thích hợp với nhu cầu sử dụng công nghiệp ngày một tăng, ví dụ như dùng trong các nghề thủ công, công nghiệp và các công xưởng.

Máy hút bụi loại bụi M theo IEC/EN 60335-2-69 chỉ được phép dùng để hút và loại bỏ các loại bụi có hại cho sức khỏe với giới hạn tiếp xúc là [1] 0,1 mg/m³ ≥ 0,1 mg/m³.

Chỉ sử dụng máy hút bụi khi bạn đã hiểu rõ và có thể sử dụng mọi chức năng một cách thông suốt, hay được hướng dẫn sử dụng đúng cách.

Biểu trưng của sản phẩm

Sử dụng số các đặc điểm của sản phẩm để tham khảo hình minh họa của máy hút bụi trên trang hình ảnh.

- 1 Khoang chứa
- 2 Nút bít ống hút
- 3 Bộ phận nối vòi ống
- 4 Ống hút mềm-Khóa giữ
- 5 Ổ cắm cho dụng cụ điện
- 6 Bộ điều khiển lưu lượng
- 7 Chế độ vận hành-Công tắc chọn
- 8 Bộ điều chỉnh công suất hút (không áp dụng với số tham khảo 3 601 JC3 170)
- 9 Nút AFC
- 10 Tay Xách
- 11 Khung L-Boxx
- 12 Thân nắp máy hút
- 13 Chốt cài máy hút
- 14 Bánh công tác
- 15 Hãm bánh xe nhỏ
- 16 Bánh xe nhỏ
- 17 Móc cài dây điện
- 18 Nắp đóng của vỏ bộ lọc
- 19 Khóa giữ- ống hút cứng
- 20 Giá đỡ vòi hút khe/ống xả
- 21 Giá đỡ ống dẫn dưới sàn nhà
- 22 Khớp nối dụng cụ
- 23 Khuỷu nối
- 24 Vòi ống hút

- 25 Túi bỏ rác
- 26 Bộ lọc Gấp nếp (PES)
- 27 Vòi phun nối
- 28 Môi cao su
- 29 Màng đầu hút
- 30 Vòi phun đất
- 31 Ống hút cứng
- 32 Khung giữ ống hút
- 33 Nút bấm
- 34 Khí xâm nhập
- 35 LED điều khiển
- 36 Lốp phủ của bộ lọc
- 37 Cảm biến mức nạp

Phụ tùng được trình bày hay mô tả không phải là một phần của tiêu chuẩn hàng hóa được giao kèm theo sản phẩm. Bạn có thể tham khảo tổng thể các loại phụ tùng, phụ kiện trong chương trình phụ tùng của chúng tôi.

Thông số kỹ thuật

Máy hút bụi khô/ ướt	GAS 35 M AFC		
Mã số máy	...	170	
3 601 JC3 1..	... 170	
Điện thế danh định	V	220–240**	110
Công suất vào danh định	W	1 200	1 000
Chu kỳ	Hz	50/60	50/60
Dung tích khoang chứa (tổng thể)	l	35	35
Thể tích thực (Chất lỏng)	l	19	19
Sức chứa túi đựng bụi	l	19	19
mức chân không tối đa*			
- Máy hút bụi	hPa	230	211
- Tua bin	hPa	254	242
Lưu lượng thể tích tối đa*			
- Máy hút bụi	l/s	36	31
	m ³ /s	0,036	0,031
- Tua bin	l/s	74	71
	m ³ /s	0,074	0,071
Công suất hút tối đa	W	1 380	1 150
Bề mặt Bộ lọc Gấp nếp	m ² /s	0,615	0,615
Loại bụi		M	M
Trọng lượng theo Qui trình EPTA-Procedure 01:2014 (chuẩn EPTA 01:2014)	kg	12,4	12,4
Cấp độ bảo vệ		⊕/I	⊕/I
Mức độ bảo vệ		IP X4	IP X4

*được đo với một cái ống hút dài Ø 35 mm và 5 m

**Các thông số giá trị cho điện áp định mức [U] 230 V. Các thông số này có thể thay đổi khi ở mức điện áp thấp và thi hành theo tiêu chuẩn quốc gia.

58 | Tiếng Việt

Tự động Khởi động-/Ngừng*	Điện thế	Công suất	Công suất
	danh định	tối đa	tối thiểu
EU	220–240 V	2200 W	100 W
UK	110 V	750 W	100 W

* Chỉ số công suất nổi cho phép của dụng cụ điện đã kết nối (tiêu chuẩn quốc gia)

Sự lắp vào

- ▶ Trước khi tiến hành bất cứ việc gì trên máy hút bụi, rút phích cắm điện ra.

Lắp giá đỡ ống hút (xem hình A)

- Đẩy các giá đỡ ống hút 4 từ phía trên vào các khung sập sẵn 32, cho đến khi khớp vào.

Gắn Vòi Ống Hút (xem hình B)

- Cắm đầu cắm ống mềm 24 vào hốc cắm ống 3 và xoay theo chiều kim đồng hồ đến khi dừng lại.

Ghi Chú: Khi hút, xuất hiện hiện tượng tĩnh điện trong ống mềm và các phụ kiện do sự ma sát của bụi mà người sử dụng có thể cảm nhận được sự phóng tích điện (phụ thuộc vào tác động của môi trường và độ nhạy cảm của cơ thể).

Nói chung Bosch khuyên dùng một loại ống mềm (phụ kiện) chống tĩnh điện khi hút bụi mịn và các loại vật liệu khô.

Lắp phụ kiện hút (xem hình C)

Ống hút mềm 24 được trang bị một hệ thống kẹp, có thể kết nối được với phụ kiện (Khớp nối dụng cụ 22, ống góp rút khí 23).

Gắn khớp nối dụng cụ

- Cắm khớp nối dụng cụ 22 vào ống hút mềm 24 cho đến khi cả hai nút bấm 33 của ống hút mềm được gài vào phát ra tiếng.
- Để tháo ra, ấn các nút bấm 33 vào trong và kéo các bộ phận ra.

Gắn các đầu hút và ống hút

- Cắm khớp nối dụng cụ 23 vào ống hút mềm 24 cho đến khi cả hai nút bấm 33 của ống hút mềm được gài vào phát ra tiếng.
- Sau đó lắp phụ kiện muốn dùng (Đầu hút sàn, đầu hút nối, ống hút cứng v.v.) cố định vào ống góp rút khí 23.
- Để tháo ra, ấn các nút bấm 33 vào trong và kéo các bộ phận ra.

Đặt/ bỏ túi nhựa hoặc túi bụi (Hút bụi khô) (xem hình D1 – D2)

Để hút khô các chất tương ứng với loại bụi M bạn phải sử dụng túi nhựa 25 hoặc túi bụi.

Nếu các chất có hoặc không có giới hạn tiếp xúc $\geq 1 \text{ mg/m}^3$ (tương ứng với loại bụi L) được hút, thì có thể hút trực tiếp vào thùng chứa.

Ghi Chú: Khi sử dụng các túi giấy lọc bạn phải sử dụng, khi sử dụng túi lọc chất liệu bông bạn cần tắt chế độ vệ sinh bộ lọc tự động (AFC) (xem "Tắt AFC", trang 61).

⚠ CẢNH BÁO Máy hút bụi chứa các chất liệu gây nguy hại cho sức khỏe con người. Chỉ giao máy cho các thợ chuyên môn thực hiện việc làm sạch và bảo quản, bao gồm cả khoang chứa bụi thải. Cần có các trang thiết bị bảo hộ thích hợp. Không được vận hành máy hút bụi mà không có hệ thống lọc hoàn chỉnh. Nếu không, có sự nguy hiểm cho sức khỏe của chính bạn.

Túi nhựa

- Tháo chốt cài máy hút 13 và nhấc thân nắp máy hút 12 ra.
- Cài túi nhựa 25 vào miệng thùng phía trước trong thùng chứa 1.
- Kéo miệng thùng qua mặt bích nối vào tận sâu bên trong mặt bích nối.
- Đặt chắc chắn để túi nhựa 25 nằm lọt dựa vào các thành trong thùng chứa 1.
- Căng phần còn lại của túi nhựa 25 lên cạnh của thùng chứa 1.
- Đẩy nắp trên cùng của máy hút bụi 12 lại và đóng các khóa 13.

Bỏ túi nhựa và đóng khóa lại

- Tháo chốt cài máy hút 13 và nhấc thân nắp máy hút 12 ra.
- Kéo túi nhựa đẩy ra 25 khỏi mặt bích nối ra phía sau.
- Lấy túi nhựa 25 cẩn thận không làm rách túi ra khỏi máy hút bụi.
- Chú ý, không để túi nhựa va vào mặt bích nối hay các vật sắc cạnh khác.
- Kéo nắp dán băng dính ra và dán vào túi nhựa. Sau đó buộc túi nhựa 25 ở bên dưới miệng thùng bằng nắp dán băng dính đã bóc ra.

Thay/Lắp Túi Đựng Bụi (phụ tùng)

- Tháo chốt cài máy hút 13 và nhấc thân nắp máy hút 12 ra.
- Kéo túi đựng bụi đã đầy từ chỗ bích nối ra phía sau. Đóng miệng túi đựng bụi lại bằng cách gấp nắp đáy xuống. Lấy túi đựng bụi đã gấp kín miệng ra khỏi máy hút bụi.
- Đặt túi đựng bụi mới lên trên mặt bích nối của máy hút bụi. Đặt chắc chắn để túi đựng bụi nằm lọt hoàn toàn dựa trên các thành trong của thùng chứa 1.
- Đẩy nắp trên cùng của máy hút bụi 12 lại và đóng các khóa 13.

Lắp môi cao su (Hút Vật Ẩm Ướt) (xem hình E)

Ghi Chú: Các yêu cầu về hệ số truyền (Loại bụi M) chỉ được áp dụng cho hút khô.

- Nâng máng đầu hút **29** với một dụng cụ thích hợp ra khỏi đầu hút sàn **30**.
- Đặt môi cao su **28** vào đầu hút sàn **30**.

Ghi Chú: Mặt có vân của môi cao su phải chỉ ra ngoài.

Gắn vào L-Boxx (xem hình F)

Để vận chuyển máy hút bụi và bảo quản phụ tùng máy hút bụi và/hoặc dụng cụ điện mà không tổn diện tích, bạn có thể gắn nắp trên cùng của máy hút bụi vào L-Boxx.

- Đặt L-Boxx vào khung **11**.
- **Không mang máy hút bụi bằng quai xách của L-Boxx.** Máy hút bụi quá nặng đối với quai xách của L-Boxx. Việc này bao gồm các nguy hiểm gây thương tích và tổn hại.

Vận Hành

Bắt Đầu Vận Hành

- **Tuân thủ đúng theo điện áp nguồn điện! Điện áp của nguồn điện phải phù hợp với điện áp qui định rõ trên nhãn máy của máy hút bụi.**
- **Bạn hãy thông tin về các qui định / luật hiện hành liên quan đến bụi gây hại đến sức khỏe tại đất nước của bạn.**

Máy hút bụi được dùng để hút và loại bỏ những chất sau đây:

- Các loại bụi có giới hạn tiếp xúc $\geq 0,1 \text{ mg/m}^3$



Thông thường, máy hút bụi có thể không nên sử dụng trong phòng, nơi có sẵn nguy cơ gây nổ.

Để tiết kiệm điện năng, bạn chỉ bật máy hút bụi, khi bạn sử dụng nó.

Để đảm bảo công suất hút bụi tối ưu, bạn phải luôn duỗi thẳng ống hút mềm **24** hoàn toàn phía trước nắp trên cùng của máy hút bụi **12**.

Hút bụi khô

Hút sạch các loại bụi bám lâu ngày

- Điều chỉnh bộ điều khiển lưu lượng thể tích **6** về đường kính ống đem sử dụng.
- Để **bật** máy hút bụi, đặt chế độ hoạt động-công tắc chọn **7** lên biểu tượng "Hút". 
- Để **tắt** máy hút bụi, đặt chế độ hoạt động-công tắc chọn **7** lên biểu tượng "Tắt". 

Máy hút bụi được trang bị chế độ giám sát lưu lượng thể tích. Chế độ giám sát lưu lượng thể tích được thiết lập ở giá trị "Hút" 20 m/s không phụ thuộc

vào vị trí của bộ điều khiển lưu lượng thể tích **6**.

Nếu giá trị này bị vượt quá, ví dụ như bụi bẩn dồn lại trong ống hút, túi rác đầy hoặc bộ lọc bị tắc, âm cảnh báo sẽ vang lên. Trong trường hợp này hãy tắt máy hút bụi và kiểm tra trong đoạn "Chỉnh Sửa các Trục Trắc" xem nó được miêu tả như thế nào.



Hút sạch các loại bụi phát sinh từ các dụng cụ điện (xem hình G)

- **Phải có sẵn hệ số thông gió (L) đầy đủ trong phòng, khi khí phát thải trở lại phòng. Chú ý các quy định quốc gia tương ứng.**

Trong máy hút bụi ổ cắm an toàn - ổ cắm **5** được hợp nhất. Bạn có thể kết nối dụng cụ điện ngoài. Chú ý công suất kết nối tối đa hợp lệ của dụng cụ điện được kết nối.

Để đảm bảo vận chuyển đủ bụi bẩn đến nơi xả, lưu lượng thể tích tối thiểu của dụng cụ điện đã kết nối không được hạ thấp.

Đường kính ống	Giá trị thiết lập của lưu lượng thể tích	
	lưu lượng thể tích	
35 mm	57,9 m ³ /h	
22 mm	41,2 m ³ /h	
15 mm	12,7 m ³ /h	

- Điều chỉnh bộ điều khiển lưu lượng thể tích **6** về đường kính ống đem sử dụng.
- Lắp khớp nối dụng cụ **22** (xem "Gắn khớp nối dụng cụ", trang 59).
- Cắm khớp nối dụng cụ **22** vào miệng hút của dụng cụ điện.
- Để **Kích hoạt chế độ tự động khởi động/dừng** của máy hút bụi, đặt chế độ hoạt động công tắc chọn **7** lên biểu tượng "Khởi động/dừng tự động" .
- Trong chế độ vận hành này, lưu lượng thể tích sẽ được giám sát điện tử một cách tương ứng với giá trị thiết lập trên bộ điều chỉnh **6**. Nếu chọn đúng giá trị thiết lập, việc vận chuyển bụi đầy đủ sẽ được đảm bảo.
- Bật dụng cụ điện đã kết nối với ổ cắm để chế độ **Kích hoạt** của máy hút bụi **5**. Máy hút bụi bắt đầu tự động.
- Tắt dụng cụ điện, để **kết thúc việc hút bụi**. Tiếp tục chế độ tự động khởi động/dừng vài giây, 15, để xả hết bụi bám còn lại ra khỏi ống mềm.
- Để **tắt** máy hút bụi, đặt chế độ hoạt động-công tắc chọn **7** lên biểu tượng "Tắt". 

Nếu âm cảnh báo vang lên, máy hút bụi phải được kiểm tra như trong phần "Chỉnh Sửa các Trục Trắc".

60 | Tiếng Việt

Hút Vật Ẩm Ướt

► **Không được hút loại chất lỏng dễ cháy hoặc nổ; ví dụ như benzen, dầu, cồn, dung môi.**

Không được hút rác bị nóng hay đang cháy. Không được vận hành máy trong phòng, nơi có nguy cơ gây ra sự cố nổ. Rác, chất khí, chất lỏng loại có thể gây cháy hay nổ.

► **Máy hút bụi không thể sử dụng như một máy bơm nước.** Máy hút bụi được thiết kế để hút hỗn hợp nước và không khí.

► **Trước khi tiến hành bất cứ việc gì trên máy hút bụi, rút phích cắm điện ra.**

Ghi Chú: Các yêu cầu về hệ số truyền (Loại bụi M) chỉ được áp dụng cho hút khô.

– Bỏ túi nhựa hoặc túi đựng bụi trước khi hút bụi ướt **25** và làm rỗng thùng chứa **1**.

Ghi Chú: Sử dụng túi lọc ướt (phụ tùng) khi hút các hỗn hợp nước-chất rắn để giảm tải việc xử lý rác, bộ lọc này giúp loại bỏ chất lỏng khỏi các chất rắn.

– Hãy sử dụng môi cao su cho đầu hút sàn (xem “Lắp môi cao su”, trang 60).

– Tắt chế độ vệ sinh bộ lọc tự động (AFC) (xem “Tắt AFC”, trang 61).

Máy hút bụi được trang bị các cảm biến **37** mức nạp. Nếu đạt tới mức nạp tối đa, máy hút bụi sẽ tắt. Đặt chế độ hoạt động-công tắc chọn **7** lên biểu tượng “Tắt”.

Ghi Chú: Khi hút các chất lỏng không dẫn điện (ví dụ như nhũ tương khoan, dầu mỡ) máy hút bụi sẽ không tắt khi thùng chứa đầy. Mức nạp phải được kiểm tra đều đặn và phải làm rỗng thùng chứa đúng cách.

Nếu âm cảnh báo vang lên khi hút bụi ướt, độ an toàn chức năng của máy hút bụi sẽ không bị ảnh hưởng xấu. Không cần các biện pháp khắc phục sự cố.

– Vặn chặt nút bit **2** ặn chặt nút bit **3** bằng vít để vận chuyển máy hút bụi.

Để tránh hiện tượng mốc sau khi hút bụi ướt:

– Bỏ bộ lọc gấp nếp ra **26** và để nó khô dần.
– Tháo nắp trên cùng của máy hút bụi **12** mở nắp bộ lọc để nó khô dần.**36**

Làm sạch bộ lọc**Vệ sinh bộ lọc tự động (xem hình H)**

Khi vệ sinh bộ lọc tự động (AFC = Automatic Filter Cleaning) bộ lọc gấp nếp phải được làm sạch trong **26** tất cả 15 giây bằng tác động khí (âm xung).

Muộn nhất là khi không còn hiệu suất hút bụi nữa, cần phải làm sạch bộ lọc.

Nếu vệ sinh bộ lọc thường xuyên, tuổi thọ của bộ lọc sẽ được kéo dài.

Để đạt tới tuổi thọ lý tưởng của bộ lọc, bạn hãy tắt

chế độ vệ sinh bộ lọc tự động trong các trường hợp như khi hút các chất lỏng sạch hoặc khi sử dụng túi lọc giấy.

Bộ lọc gấp nếp bị bẩn ở bề mặt sẽ hoạt động hiệu quả. Vệ sinh bộ lọc gấp nếp bằng tay bằng cách đập hoặc thổi là không cần thiết và thậm chí còn làm hư hỏng bộ lọc.

Ghi Chú: Bật vệ sinh bộ lọc tự động tải xuống. Chỉ có thể bật/tắt vệ sinh bộ lọc tự động khi thiết bị được bật.

– **Tắt AFC**

Nhấn nút AFC **9** .

LED điều khiển **35** tắt.

– **Bật AFC**

Nhấn nút AFC **9** .

LED điều khiển **35** có màu xanh.

Bảo Dưỡng và Bảo Quản**Bảo Dưỡng Và Làm Sạch**

► **Trước khi tiến hành bất cứ việc gì trên máy hút bụi, rút phích cắm điện ra.**

► **Để sự hoạt động an toàn và bình thường, luôn luôn giữ máy hút bụi và các khe thông gió được sạch.**

► **Mang khẩu trang khi bảo trì và làm sạch máy hút bụi.**

Nếu như cần phải thay dây dẫn điện thì công việc này phải do hãng Bosch, hay một đại lý được Bosch ủy nhiệm thực hiện để tránh gặp sự nguy hiểm do mất an toàn.

Kiểm tra kỹ thuật hút bụi ít nhất mỗi năm một lần do nhà sản xuất hay người được chỉ định thực hiện, vd. kiểm tra sự hư hỏng của bộ lọc, tính chất kín chống sự rò rỉ của máy hút bụi và sự hoạt động của bộ phận điều khiển/kiểm tra.

Đối với các máy hút bụi loại **M**, bị bẩn xung quanh, cần làm sạch cả bên ngoài lẫn toàn bộ chi tiết của máy hoặc xử lý bằng chất bit kín. Khi tiến hành bảo dưỡng và sửa chữa, cần xử lý toàn bộ các chi tiết bẩn, mà không thể vệ sinh sạch. Các chi tiết này phải được xử lý bằng các túi không thấm nước theo các quy định về xử lý chất thải.

Để bảo trì thay mặt cho người sử dụng, máy hút bụi phải được tháo rã ra, làm sạch và bảo trì ở mức có thể thực hiện được mà không gây ra nguy hiểm cho nhân viên bảo trì hay những người khác. Trước khi tháo rã máy, nên làm vệ sinh máy hút bụi để phòng tránh mọi nguy cơ. Phòng/khu vực kín nơi tháo rã máy hút bụi phải được thông gió tốt. Mang các trang thiết bị bảo hộ thích hợp trong lúc bảo trì. Sau khi bảo trì, phải làm sạch khu vực bảo trì.

Bỏ/thay bộ lọc gấp nếp (xem hình I1 – I2)

Thay bộ lọc gấp nếp bị hỏng **26** ngay lập tức.

- Kéo nắp đóng **18** và mở nắp bộ lọc ra **36**.
- Giữ bộ lọc gấp nếp **26** ở các thanh trung tâm và rút ra theo hướng lên trên.
- Loại bỏ bụi bắn dồn lại khi tháo bộ lọc gấp nếp **26** bằng khăn ẩm ra khỏi mép kín của nắp bộ lọc **36**. Bộ lọc gấp nếp PES- và PTFE có thể được súc rửa dưới nước chảy.
- Sử dụng bộ lọc gấp nếp mới hoặc sạch **26** và chú ý vị trí đặt an toàn và chính xác.
- Đóng nắp bộ lọc **36** (phải khớp).

Khoang chứa

Lau chùi khoang chứa **1** thường xuyên bằng nước rửa có bán trên thị trường, loại không có chất tẩy và để cho khô.

Cắm biến mức nạp (xem hình J)

Thỉnh thoảng làm sạch các cảm biến mức nạp **37**.

- Tháo chốt cài máy hút **13** và nhắc thân nắp máy hút **12** ra.
- Làm sạch các cảm biến mức nạp **37** bằng khăn mềm.

Chỉnh Sửa các Trục Trắc

Vấn đề Giải quyết	Biện pháp Chỉnh Sửa
Tuabin hút chưa khởi động.	<ul style="list-style-type: none"> - Kiểm tra dây điện, phích cắm điện, cầu chì, ổ cắm và các cảm biến mức nạp 37. - Đặt chế độ hoạt động - Công tắc chọn 7 ở "Tự động - Khởi động - /Ngừng". - Đặt chế độ hoạt động - Công tắc chọn 7 biểu tượng "Sự Hút" cũng như cắm dụng cụ điện đã kết nối vào ổ cắm 5.
Tắt tuabin hút.	<ul style="list-style-type: none"> - Làm rỗng thùng chứa 1.
Tuabin hút chưa khởi động lại sau khi làm rỗng thùng chứa.	<ul style="list-style-type: none"> - Tắt máy hút bụi và chờ 5 giây, sau 5 giây bật lại. - Vệ sinh các cảm biến mức nạp 37 cũng như khoang giữa của cảm biến mức nạp 37 bằng bàn chải.
Giảm lực hút.	<ul style="list-style-type: none"> - Loại bỏ các chất tắc nghẽn từ vòi hút, ống hút cứng 31, ống hút mềm 24 hoặc bộ lọc gấp nếp 26. - Thay túi nhựa 25 hoặc túi bụi. - Gài chính xác nắp bộ lọc 36. - Đậy nắp trên cùng của máy hút bụi 12 và đóng các khóa 13. - Thay thế bộ lọc gấp nếp 26.
Phát thải bụi khi hút bụi	<ul style="list-style-type: none"> - Kiểm tra việc lắp đặt bộ lọc gấp nếp 26 chính xác. - Thay thế bộ lọc gấp nếp 26.
Chế độ tự động tắt (Hút bụi ẩm) không phản hồi.	<ul style="list-style-type: none"> - Vệ sinh các cảm biến mức nạp 37 cũng như khoang giữa của cảm biến mức nạp 37 bằng bàn chải. - Chế độ tự động tắt không hoạt động ở chất lỏng không dẫn điện hoặc hình thành bọt. - Kiểm tra mức nạp đầy ngay lập tức.

- Đậy nắp trên cùng của máy hút bụi **12** lại và đóng các khóa **13**.

Cất Giữ và Vận Chuyển (xem hình K)

- Xoắn dây điện vào giá đỡ dây **17**.
- Gắn phụ tùng vào các giá đỡ tương ứng: Ống hút **31** vào giá đỡ **19**, vòi hút khe **27** vào giá đỡ **20**, ống dẫn dưới sàn nhà **30** vào giá đỡ **21**.
- Mở các dải băng đàn hồi của giá đỡ ống hút **4** và đặt ống hút **24** quanh nắp trên cùng của máy hút bụi vào giá đỡ **4**.
- Lại treo các dải băng đàn hồi vào.
- Đặt L-Boxx vào khung **11**.
- Tháo túi nhựa đầy hoặc túi bụi đầy ra hoặc xả hết chất lỏng hấp thụ trước khi vận chuyển máy hút bụi, để tránh tổn thương lưng.
- Mang máy hút bụi chỉ bằng tay cầm máy **10**.
- Vận chặt nút bit **2** ấn chặt nút bit **3** bằng vít để vận chuyển máy hút bụi.
- Đặt máy hút bụi ở nơi khô ráo và tránh xa phạm vi của người không được cho phép sử dụng.
- Đá xuống hãm bánh xe nhỏ để khóa bánh xe nhỏ **16 15**.

62 | Tiếng Việt

Vấn đề Giải quyết	Biện pháp Chính Sửa
Âm cảnh báo vang lên.	Công suất được thiết lập quá thấp. - Thiết lập bộ điều chỉnh công suất hút 8 ở một giá trị cao hơn. Đường kính ống mềm được thiết lập sai. - Chính Bộ điều khiển lưu lượng thể tích 6 theo đường kính đúng của ống hút mềm. Ống hút mềm 24 bị tắc hoặc bị bẻ cong. - Xử lý tắc và tình trạng bẻ cong. Túi nhựa/túi đựng bụi đầy. - Thay túi nhựa 25 hoặc túi bụi. Bộ lọc gấp nếp 26 bị bẩn. - Vệ sinh bộ lọc gấp nếp hoặc thay thế nếu cần thiết. Dòng khí chạy qua dụng cụ điện không đủ. - Mở lỗ khí xâm nhập của 34 ống nối dụng cụ 22 : Xoay chiếc vòng trên ống nối dụng cụ cho đến khi lỗ khí xâm nhập mở hoàn toàn. - Nếu có: Mở lỗ khí xâm nhập của dụng cụ điện. Trục trục hệ thống điện tử giám sát. - Liên hệ đại lý dịch vụ được ủy quyền cho dụng cụ điện Bosch.
Chế độ vệ sinh bộ lọc tự động không làm việc.	- Bật chế độ vệ sinh bộ lọc (Nhấn nút AFC 9). - Kết nối ống hút mềm 24 .
Chế độ vệ sinh bộ lọc tự động không được tắt.	- Liên hệ đại lý dịch vụ được ủy quyền cho dụng cụ điện Bosch.
Chế độ vệ sinh bộ lọc tự động không được bật.	- Liên hệ đại lý dịch vụ được ủy quyền cho dụng cụ điện Bosch.

Dịch Vụ Sau Khi Bán và Dịch Vụ Ứng Dụng

Bộ phận phục vụ hàng sau khi bán của chúng tôi sẽ trả lời các câu hỏi liên quan đến việc bảo trì và sửa chữa các sản phẩm cũng như các phụ tùng thay thế của bạn. Hình ảnh chi tiết và thông tin phụ tùng thay thế có thể tìm hiểu theo địa chỉ dưới đây:

www.bosch-pt.com

Bộ phận dịch vụ ứng dụng Bosch sẽ hân hạnh trả lời các câu hỏi liên quan đến các sản phẩm của chúng tôi và linh kiện của chúng.

Trong tất cả các phản hồi và đơn đặt phụ tùng, xin vui lòng luôn luôn nhập số hàng hóa 10 chữ số theo nhãn của hàng hóa.

Việt Nam

Công ty Trách Nhiệm Hữu Hạn Robert Bosch

Việt Nam, PT/SVN

Tầng 10, 194 Golden Building

473 Điện Biên Phủ

Phường 25, Quận Bình Thạnh

Thành Phố Hồ Chí Minh

Việt Nam

Tel.: (08) 6258 3690 Ext 413

Fax: (08) 6258 3692

hieu.lagia@vn.bosch.com

www.bosch-pt.com

Thải bỏ

Máy hút bụi, phụ kiện, bao bì phải được phân loại để tái chế theo hướng thân thiện với môi trường.

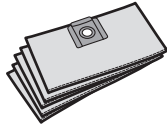
Không được vứt bỏ máy hút bụi vào chung với rác sinh hoạt thông thường!

Được quyền thay đổi nội dung mà không phải thông báo trước.

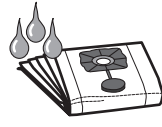
2 607 432 035



2 607 432 037



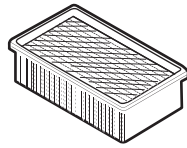
2 607 432 039



2 607 432 043



en	Paper filter bag (dry)	en	Fleece filter bag (dry)	en	Wet-filter bag (wet)	en	Disposal bag (PE) (dry/wet)
cs	纸质过滤袋 (干)	cs	无纺布过滤袋 (干)	cs	湿式过滤袋 (湿)	cs	垃圾袋 (PE) (干 / 湿)
tw	紙類材質集塵袋 (乾式吸塵)	tw	纖維材質集塵袋 (乾式吸塵)	tw	濕式吸塵專用濾袋 (濕式吸塵)	tw	拋棄式集塵袋 (PE) (乾式吸塵 / 濕式吸塵)
ko	종이 필터 봉투 (건식)	ko	플리스 필터 봉투 (건식)	ko	습식 필터 봉투 (습식)	ko	폐기물 봉투 (PE) (건식 / 습식)
th	ถุงกรองกระดาษ (แห้ง)	th	ถุงกรองฟลีซ (แห้ง)	th	ถุงกรองเปียก (เปียก)	th	ถุงทิ้งขยะ (PE) (แห้ง/เปียก)
id	Kantung filter kertas (kering)	id	Kantung filter dari bulu domba (kering)	id	Kantung filter basah (basah)	id	Kantung pembuangan (PE) (kering/basah)
vi	Túi giấy lọc (khô)	vi	Túi lọc chất liệu bông (khô)	vi	Túi lọc ướt (ướt)	vi	Túi nhựa (PE) (khô/ướt)



2 607 432 033 (Cellulose)
 2 607 432 034 (PES)
 2 607 432 041 (PTFE)



2 608 000 585



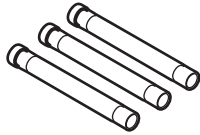
2 607 000 165



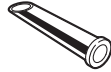
2 607 000 166



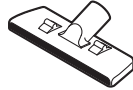
2 607 000 170



2 608 000 575



1 609 201 229



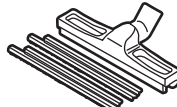
1 609 201 230



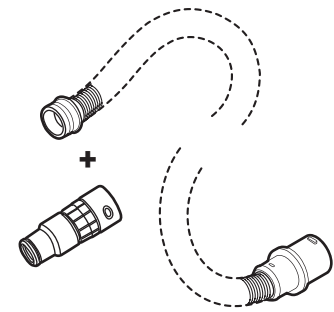
1 609 390 481



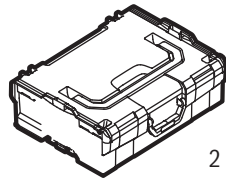
2 608 000 573



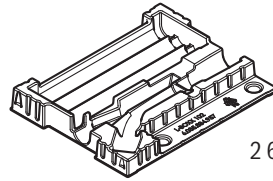
1 609 390 478



	5 m	35 mm	-	2 608 000 565
	5 m	35 mm	•	2 608 000 566
	5 m	22 mm	-	2 608 000 567
	5 m	22 mm	•	2 608 000 568
	3 m	35 mm	-	2 608 000 569
	3 m	35 mm	•	2 608 000 570
	3 m	22 mm	-	2 608 000 571
	3 m	22 mm	•	2 608 000 572



2 608 438 691



2 608 438 091