

Robert Bosch Power Tools GmbH
70538 Stuttgart
GERMANY

www.bosch-pt.com

1 609 92A 3XV (2017.07) PS / 65



1 609 92A 3XV

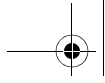
GBH Professional

36 V-LI Plus | 36 VF-LI Plus

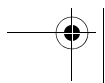
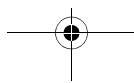


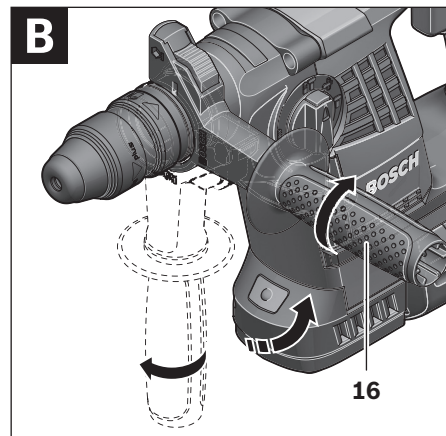
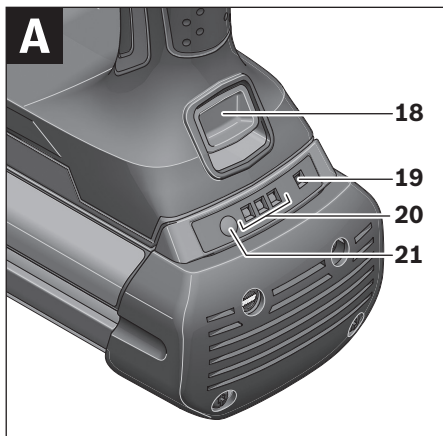
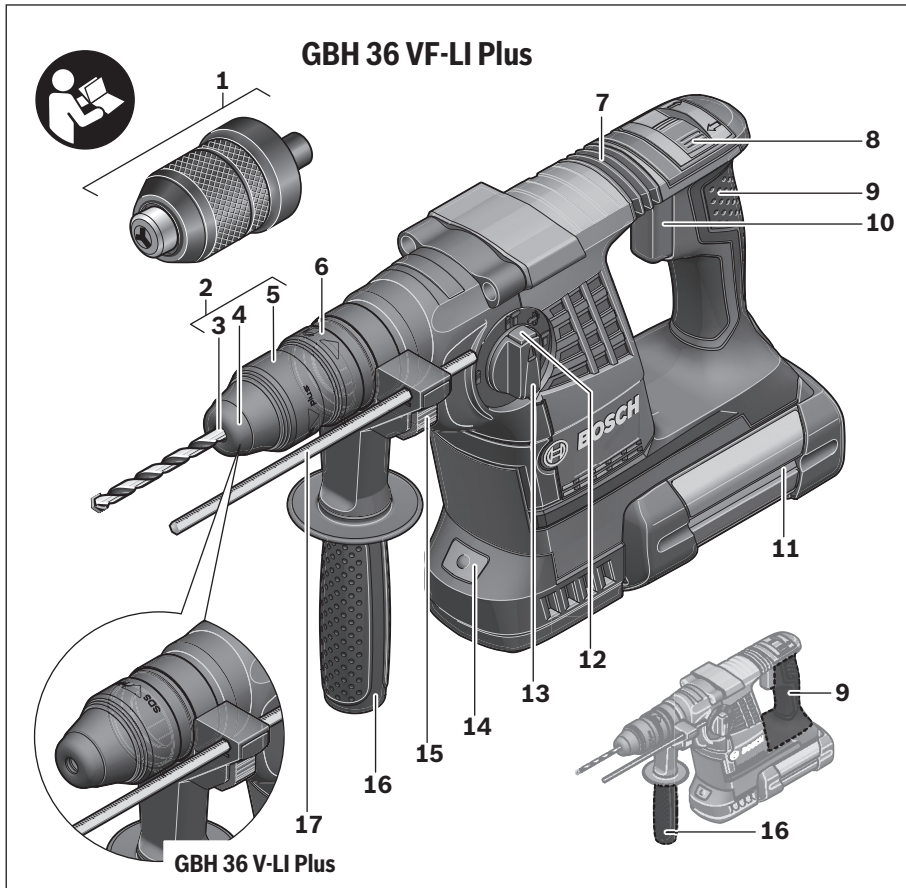
- en** Original instructions
- cn** 正本使用说明书
- tw** 原始使用說明書
- ko** 사용 설명서 원본
- th** หนังสือคู่มือการใช้งานฉบับต้นแบบ
- id** Petunjuk-Petunjuk untuk Penggunaan Orisinal
- vi** Bản gốc hướng dẫn sử dụng

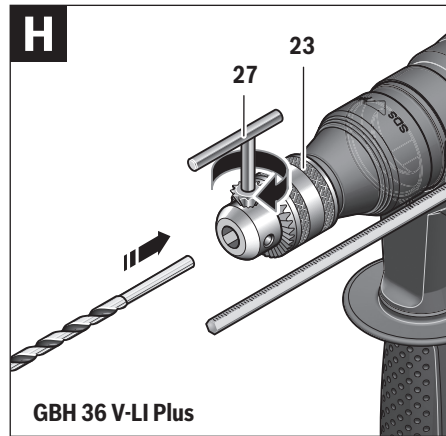
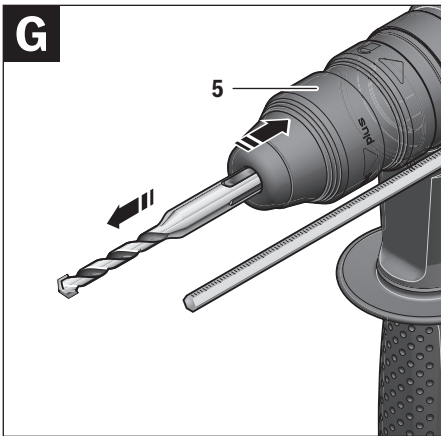
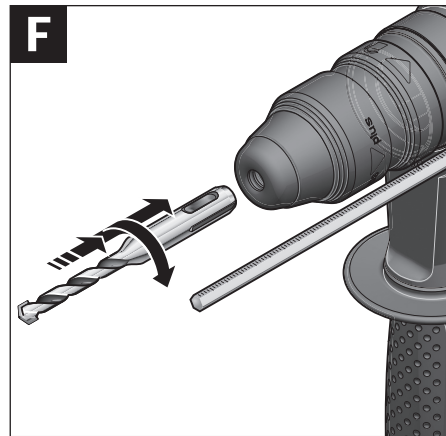
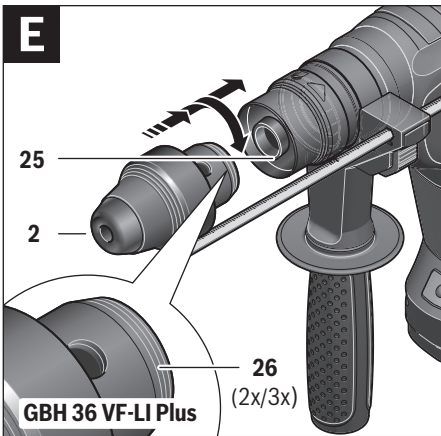
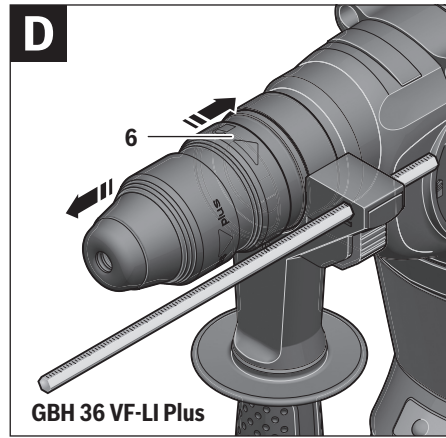
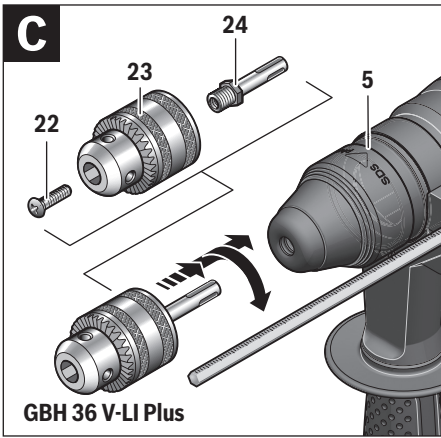


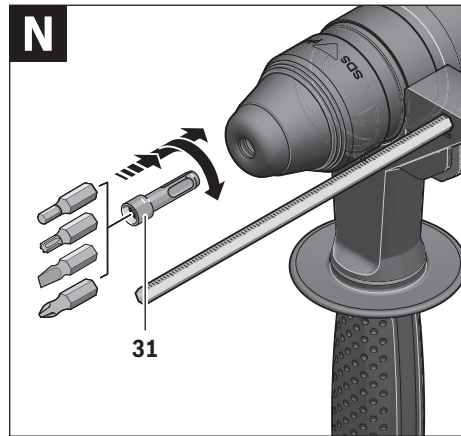
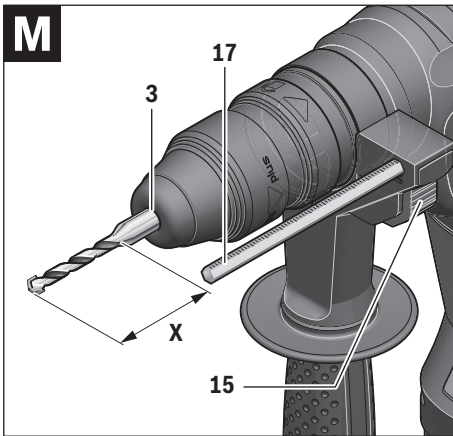
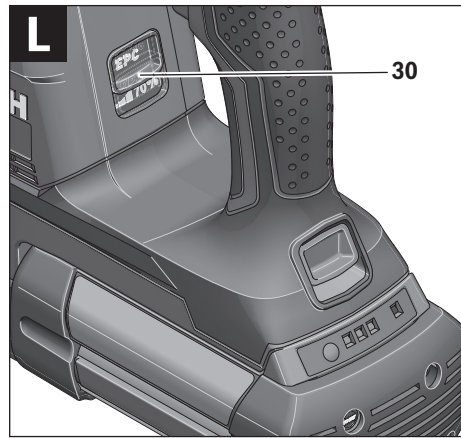
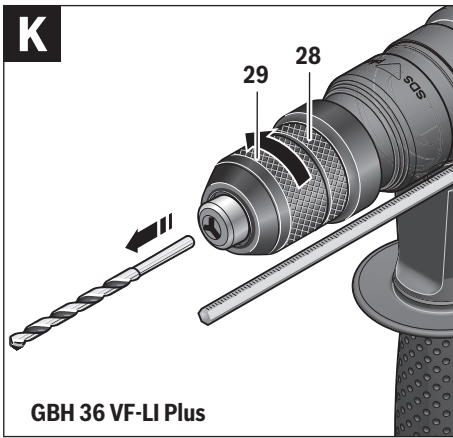
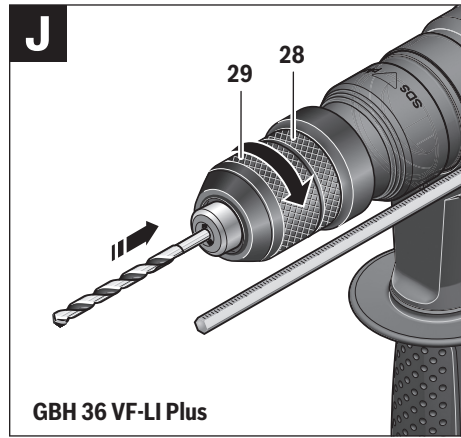
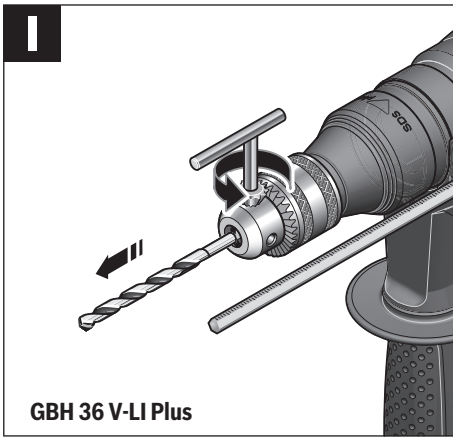


English	Page	6
中文	页	15
中文	頁	22
한국어	페이지	29
ภาษาไทย	หน้า	37
Bahasa Indonesia	Halaman	45
Tiếng Việt	Trang	53









English

Safety Notes

General Power Tool Safety Warnings

⚠ WARNING Read all safety warnings and all instructions. Failure to follow the warnings and instructions may result in electric shock, fire and/or serious injury.

Save all warnings and instructions for future reference.

The term "power tool" in the warnings refers to your mains-operated (corded) power tool or battery-operated (cordless) power tool.

Work area safety

- ▶ **Keep work area clean and well lit.** Cluttered or dark areas invite accidents.
- ▶ **Do not operate power tools in explosive atmospheres, such as in the presence of flammable liquids, gases or dust.** Power tools create sparks which may ignite the dust or fumes.
- ▶ **Keep children and bystanders away while operating a power tool.** Distractions can cause you to lose control.

Electrical safety

- ▶ **Power tool plugs must match the outlet. Never modify the plug in any way. Do not use any adapter plugs with earthed (grounded) power tools.** Unmodified plugs and matching outlets will reduce risk of electric shock.
- ▶ **Avoid body contact with earthed or grounded surfaces, such as pipes, radiators, ranges and refrigerators.** There is an increased risk of electric shock if your body is earthed or grounded.
- ▶ **Do not expose power tools to rain or wet conditions.** Water entering a power tool will increase the risk of electric shock.
- ▶ **Do not abuse the cord. Never use the cord for carrying, pulling or unplugging the power tool. Keep cord away from heat, oil, sharp edges and moving parts.** Damaged or entangled cords increase the risk of electric shock.
- ▶ **When operating a power tool outdoors, use an extension cord suitable for outdoor use.** Use of a cord suitable for outdoor use reduces the risk of electric shock.
- ▶ **If operating a power tool in a damp location is unavoidable, use a residual current device (RCD) protected supply.** Use of an RCD reduces the risk of electric shock.

Personal safety

- ▶ **Stay alert, watch what you are doing and use common sense when operating a power tool. Do not use a power tool while you are tired or under the influence of drugs, alcohol or medication.** A moment of inattention while operating power tools may result in serious personal injury.
- ▶ **Use personal protective equipment. Always wear eye protection.** Protective equipment such as dust mask, non-skid safety shoes, hard hat, or hearing protection

used for appropriate conditions will reduce personal injuries.

- ▶ **Prevent unintentional starting. Ensure the switch is in the off-position before connecting to power source and/or battery pack, picking up or carrying the tool.** Carrying power tools with your finger on the switch or energising power tools that have the switch on invites accidents.
- ▶ **Remove any adjusting key or wrench before turning the power tool on.** A wrench or a key left attached to a rotating part of the power tool may result in personal injury.
- ▶ **Do not overreach. Keep proper footing and balance at all times.** This enables better control of the power tool in unexpected situations.
- ▶ **Dress properly. Do not wear loose clothing or jewellery. Keep your hair, clothing and gloves away from moving parts.** Loose clothes, jewellery or long hair can be caught in moving parts.
- ▶ **If devices are provided for the connection of dust extraction and collection facilities, ensure these are connected and properly used.** Use of dust collection can reduce dust-related hazards.

Power tool use and care

- ▶ **Do not force the power tool. Use the correct power tool for your application.** The correct power tool will do the job better and safer at the rate for which it was designed.
- ▶ **Do not use the power tool if the switch does not turn it on and off.** Any power tool that cannot be controlled with the switch is dangerous and must be repaired.
- ▶ **Disconnect the plug from the power source and/or the battery pack from the power tool before making any adjustments, changing accessories, or storing power tools.** Such preventive safety measures reduce the risk of starting the power tool accidentally.
- ▶ **Store idle power tools out of the reach of children and do not allow persons unfamiliar with the power tool or these instructions to operate the power tool.** Power tools are dangerous in the hands of untrained users.
- ▶ **Maintain power tools. Check for misalignment or binding of moving parts, breakage of parts and any other condition that may affect the power tool's operation. If damaged, have the power tool repaired before use.** Many accidents are caused by poorly maintained power tools.
- ▶ **Keep cutting tools sharp and clean.** Properly maintained cutting tools with sharp cutting edges are less likely to bind and are easier to control.
- ▶ **Use the power tool, accessories and tool bits etc. in accordance with these instructions, taking into account the working conditions and the work to be performed.** Use of the power tool for operations different from those intended could result in a hazardous situation.

Battery tool use and care

- ▶ **Recharge only with the charger specified by the manufacturer.** A charger that is suitable for one type of battery

pack may create a risk of fire when used with another battery pack.

- ▶ **Use power tools only with specifically designated battery packs.** Use of any other battery packs may create a risk of injury and fire.
- ▶ **When battery pack is not in use, keep it away from other metal objects, like paper clips, coins, keys, nails, screws or other small metal objects, that can make a connection from one terminal to another.** Shorting the battery terminals together may cause burns or a fire.
- ▶ **Under abusive conditions, liquid may be ejected from the battery; avoid contact. If contact accidentally occurs, flush with water. If liquid contacts eyes, additionally seek medical help.** Liquid ejected from the battery may cause irritation or burns.

Service

- ▶ **Have your power tool serviced by a qualified repair person using only identical replacement parts.** This will ensure that the safety of the power tool is maintained.

Hammer Safety Warnings

- ▶ **Wear ear protectors.** Exposure to noise can cause hearing loss.
- ▶ **Use auxiliary handle(s), if supplied with the tool.** Loss of control can cause personal injury.
- ▶ **Hold power tool by insulated gripping surfaces when performing an operation where the cutting accessory may contact hidden wiring.** Cutting accessory contacting a "live" wire may make exposed metal parts of the power tool "live" and could give the operator an electric shock.
- ▶ **Use appropriate detectors to determine if utility lines are hidden in the work area or call the local utility company for assistance.** Contact with electric lines can lead to fire and electric shock. Damaging a gas line can lead to explosion. Penetrating a water line causes property damage.
- ▶ **When working with the machine, always hold it firmly with both hands and provide for a secure stance.** The power tool is guided more secure with both hands.
- ▶ **Secure the workpiece.** A workpiece clamped with clamping devices or in a vice is held more secure than by hand.
- ▶ **Always wait until the machine has come to a complete stop before placing it down.** The tool insert can jam and lead to loss of control over the power tool.
- ▶ **Do not open the battery.** Danger of short-circuiting.



Protect the battery against heat, e. g., against continuous intense sunlight, fire, water, and moisture. Danger of explosion.

- ▶ **In case of damage and improper use of the battery, vapours may be emitted. Ventilate the area and seek medical help in case of complaints.** The vapours can irritate the respiratory system.
- ▶ **Use the battery only in conjunction with your Bosch power tool.** This measure alone protects the battery against dangerous overload.

- ▶ **The battery can be damaged by pointed objects such as nails or screwdrivers or by force applied externally.** An internal short circuit can occur and the battery can burn, smoke, explode or overheat.

Product Description and Specifications



Read all safety warnings and all instructions. Failure to follow the warnings and instructions may result in electric shock, fire and/or serious injury.

Intended Use

The machine is intended for hammer drilling in concrete, brick and stone, as well as for light chiselling work. It is also suitable for drilling without impact in wood, metal, ceramic and plastic. Machines with electronic control and right/left rotation are also suitable for screwdriving.

Product Features

The numbering of the product features refers to the illustration of the machine on the graphics page.

- 1 Quick change keyless chuck (GBH 36 VF-LI Plus)
- 2 SDS-plus quick change chuck (GBH 36 VF-LI Plus)
- 3 SDS-plus tool holder
- 4 Dust protection cap
- 5 Locking sleeve
- 6 Lock ring for rapid-change chuck (GBH 36 VF-LI Plus)
- 7 Vibration damper
- 8 Rotational direction switch
- 9 Handle (insulated gripping surface)
- 10 On/Off switch
- 11 Battery pack*
- 12 Release button for mode selector switch
- 13 Mode selector switch
- 14 Worklight
- 15 Button for depth stop adjustment
- 16 Auxiliary handle (insulated gripping surface)
- 17 Depth stop
- 18 Battery unlocking button
- 19 Temperature control indicator
- 20 Battery charge-control indicator
- 21 Button for charge-control indicator
- 22 Securing screw for key type drill chuck (GBH 36 V-LI Plus) *
- 23 Key type drill chuck (GBH 36 V-LI Plus) *
- 24 SDS-plus adapter shank for drill chuck (GBH 36 V-LI Plus) *
- 25 Drill chuck mounting (GBH 36 VF-LI Plus)
- 26 Identification grooves
- 27 Chuck key (GBH 36 V-LI Plus)

8 | English

- 28** Front sleeve of the quick change keyless chuck
(GBH 36 VF-LI Plus)
- 29** Retaining ring of the quick change keyless chuck
(GBH 36 VF-LI Plus)

30 EPC switch (Electronic Precision Control)

31 Universal bit holder with SDS-plus shank*

*Accessories shown or described are not part of the standard delivery scope of the product. A complete overview of accessories can be found in our accessories program.

Technical Data

Rotary Hammer		GBH 36 V-LI Plus	GBH 36 VF-LI Plus
Article number		3 611 J06 0..	3 611 J07 0..
Speed control		●	●
Stop rotation		●	●
Right/left rotation		●	●
Quick change chuck		-	●
Rated voltage	V=	36	36
Rated power input	W	600	600
Impact rate	min ⁻¹	0–4200	0–4200
Impact energy per stroke according to EPTA-Procedure 05/2009	J	3.2	3.2
Rated speed			
– Right rotation	min ⁻¹	0–940	0–940
– Left rotation	min ⁻¹	0–930	0–930
Tool holder		SDS-plus	SDS-plus
Spindle collar diameter	mm	50	50
Drilling diameter, max.:			
– Concrete	mm	28	28
– Brickwork (with core bit)	mm	82	82
– Steel	mm	13	13
– Wood	mm	30	30
Weight according to EPTA-Procedure 01:2014	kg	4.0/4.5 ¹⁾	4.1/4.6 ¹⁾
Permitted ambient temperature			
– during charging	°C	0... +45	0... +45
– during operation ²⁾ and during storage	°C	–20... +50	–20... +50
Recommended batteries		GBA 36V ...	GBA 36V ...
Recommended chargers		AL36.. GAL 36..	AL36.. GAL 36..

1) depending on the battery pack being used

2) limited performance at temperatures < 0 °C

Technical data determined with battery from delivery scope.

Assembly**Battery Charging (see figure A)**

- **Use only the battery chargers listed on the accessories page.** Only these battery chargers are matched to the lithium-ion battery of your power tool.

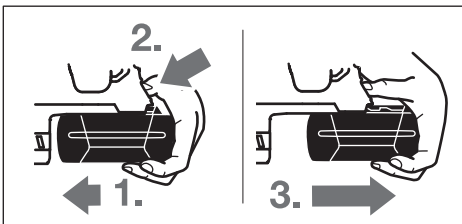
Note: The battery supplied is partially charged. To ensure full capacity of the battery, completely charge the battery in the battery charger before using your power tool for the first time. The lithium-ion battery can be charged at any time without reducing its service life. Interrupting the charging procedure does not damage the battery.

The lithium-ion battery is protected against deep discharging by the “Electronic Cell Protection (ECP)”. When the battery is empty, the machine is switched off by means of a protective circuit: The inserted tool no longer rotates.

- **Do not continue to press the On/Off switch after the machine has been automatically switched off.** The battery can be damaged.

Removing the battery

The battery **11** is equipped with two locking levels that should prevent the battery from falling out when pushing the battery unlocking button **18** unintentionally. As long as the battery is inserted in the power tool, it is held in position by means of a spring.



To remove the battery **11**:

- Push the battery against the base of the power tool (1.) and at the same time press the battery unlocking button **18** (2.).
- Pull the battery out of the power tool until a red stripe becomes visible (3.).
- Press the battery unlocking button **18** again and pull out the battery completely.

Battery Charge-control Indication

The three green LEDs of the battery charge-control indicator **20** indicate the charge condition of the battery **11**. For safety reasons, it is only possible to check the status of the charge condition when the machine is at a standstill.

- Push button **21** to indicate the charge condition (also possible when the battery is removed). The battery charge-control indicator automatically goes out after approx. 5 seconds.

LED	Capacity
Continuous lighting 3 x green	$\geq 2/3$
Continuous lighting 2 x green	$\geq 1/3$
Continuous lighting 1 x green	$< 1/3$
Flashing light 1 x green	Reserve

When no LED lights up after pushing button **21**, then the battery is defective and must be replaced.

During the charging procedure, the three green LEDs light up one after the other and briefly go out. The battery is fully charged when the three green LEDs light up continuously. The three LEDs go out again approx. 5 minutes after the battery has been fully charged.

Auxiliary Handle

- ▶ **Operate your machine only with the auxiliary handle **16**.**

Changing the position of the auxiliary handle (see figure B)

The auxiliary handle **16** can be set to any position for a secure and low-fatigue working posture.

- Turn the bottom part of the auxiliary handle **16** in counter-clockwise direction and swivel the auxiliary handle **16** to the desired position. Then retighten the bottom part of the auxiliary handle **16** by turning in clockwise direction.

Pay attention that the clamping band of the auxiliary handle is positioned in the groove on the housing as intended for.

Selecting Drill Chucks and Tools

For hammer drilling and chiselling, SDS-plus tools are required that are inserted in the SDS-plus drill chuck.

For drilling without impact in wood, metal, ceramic and plastic as well as for screwdriving, tools without SDS-plus are used (e.g., drill bits with cylindrical shank). For these tools, a keyless chuck or a key type drill chuck are required.

Inserting/Removing the Key Type Drill Chuck (GBH 36 V-LI Plus)

To work with tools without SDS-plus (e.g., drills with cylindrical shank), a suitable drill chuck must be mounted (key type drill chuck or keyless chuck, accessories).

Mounting the Key Type Drill Chuck (see figure C)

- Screw the SDS-plus adapter shank **24** into a key type drill chuck **23**. Secure the key type drill chuck **23** with the securing screw **22**. **Please observe that the securing screw has a left-hand thread.**

Inserting the Key Type Drill Chuck (see figure C)

- Clean the shank end of the adapter shank and apply a light coat of grease.
- Insert the key type drill chuck with the adapter shank into the tool holder with a turning motion until it automatically locks.
- Check the locking effect by pulling the key type drill chuck.

Removing the Key Type Drill Chuck

- Push the locking sleeve **5** toward the rear and pull out the key type drill chuck **23**.

Removing/Inserting the Quick Change Chuck (GBH 36 VF-LI Plus)

The SDS-plus quick change chuck **2** can easily be replaced against the quick change keyless chuck **1** provided.

Removing the Quick Change Chuck (see figure D)

- Pull the lock ring for the quick change chuck **6** toward the rear, hold it in this position and pull off the SDS-plus quick change chuck **2** or the quick change keyless chuck **1** toward the front.
- After removing, protect the replacement chuck against contamination.

Inserting the Quick Change Chuck (see figure E)

- ▶ **Use only model-specific original equipment and pay attention to the number of identification grooves **26**. Only quick-change chucks with two or three identification grooves are permitted.** When an unsuitable quick-change chuck is used, the application tool could fall out during operation.
- Before inserting, clean the quick change chuck and apply a light coat of grease to the shank end.
- Grasp the SDS-plus quick change chuck **2** or the quick change keyless chuck **1** completely with your hand. Slide the quick change chuck with a turning motion onto the drill chuck mounting **25** until a distinct latching noise is heard.
- The quick change chuck is automatically locked. Check the locking effect by pulling the quick change chuck.

10 | English

Changing the Tool

The dust protection cap **4** largely prevents the entry of drilling dust into the tool holder during operation. When inserting the tool, take care that the dust protection cap **4** is not damaged.

- ▶ **A damaged dust protection cap should be changed immediately. We recommend having this carried out by an after-sales service.**

Changing the Tool (SDS-plus)**Inserting SDS-plus Drilling Tools (see figure F)**

The SDS-plus drill chuck allows for simple and convenient changing of drilling tools without the use of additional tools.

- GBH 36 VF-LI Plus: Insert the SDS-plus quick change chuck **2**.
- Clean and lightly grease the shank end of the tool.
- Insert the tool in a twisting manner into the tool holder until it latches itself.
- Check the latching by pulling the tool.

As a requirement of the system, the SDS-plus drilling tool can move freely. This causes a certain radial run-out at no-load, which has no effect on the accuracy of the drill hole, as the drill bit centres itself upon drilling.

Removing SDS-plus Drilling Tools (see figure G)

- Push back the locking sleeve **5** and remove the tool.

Changing the Tool (without SDS-plus) (GBH 36 V-LI Plus)**Inserting (see figure H)**

Note: Do not use tools without SDS-plus for hammer drilling or chiselling! Tools without SDS-plus and their drill chucks are damaged by hammer drilling or chiselling.

- Insert a key type drill chuck **23** (see "Inserting/Removing the Key Type Drill Chuck", page 9).
- Open the key type drill chuck **23** by turning until the tool can be inserted. Insert the tool.
- Insert the chuck key into the corresponding holes of the key type drill chuck **23** and clamp the tool uniformly.
- Turn the mode selector switch **13** to the "drilling" position.

Removing (see figure I)

- Turn the sleeve of the key type drill chuck **23** with the drill chuck key in anticlockwise direction until the drilling tool can be removed.

Changing the Tool (without SDS-plus) (GBH 36 VF-LI Plus)**Inserting (see figure J)**

Note: Do not use tools without SDS-plus for hammer drilling or chiselling! Tools without SDS-plus and their drill chucks are damaged by hammer drilling or chiselling.

- Insert the quick change keyless chuck **1**.
- Firmly hold the retaining ring **29** of the quick change chuck. Open the tool holder by turning the front sleeve **28** until the tool can be inserted. Tightly hold the retaining ring **29** and firmly turn the front sleeve **28** in the direction of the arrow until a distinct latching noise can be heard.

- Check the tight seating by pulling the tool.

Note: If the tool holder was opened to the stop, then the latching noise possibly may be heard while closing the tool holder and the tool holder will not close.

In this case, turn the front sleeve **28** once in the opposite direction of the arrow. Afterwards, the tool holder can be closed (tightened) again.

- Turn the mode selector switch **13** to the "drilling" position.

Removing (see figure K)

- Firmly hold the retaining ring **29** of the quick change chuck. Open the tool holder by turning the front sleeve **28** in the direction of the arrow until the tool can be removed.

Dust Extraction with GDE 16 Plus (Accessory)

- ▶ Dust from materials such as lead-containing coatings, some wood types, minerals and metal can be harmful to one's health. Touching or breathing-in the dust can cause allergic reactions and/or lead to respiratory infections of the user or bystanders.

Certain dust, such as oak or beech dust, is considered carcinogenic, especially in connection with wood-treatment additives (chromate, wood preservative). Materials containing asbestos may only be worked by specialists.

- As far as possible, use a dust extraction system suitable for the material.
- Provide for good ventilation of the working place.
- It is recommended to wear a P2 filter-class respirator. Observe the relevant regulations in your country for the materials to be worked.

- ▶ **Prevent dust accumulation at the workplace.** Dust can easily ignite.

A GDE 16 Plus (accessory) is required for dust extraction.

The vacuum cleaner must be suitable for the material being worked.

When vacuuming dry dust that is especially detrimental to health or carcinogenic, use a special vacuum cleaner.

Operation**Starting Operation****Inserting the battery**

- Set the rotational direction switch **8** to the centre position to protect the power tool against accidental starting.
- Insert the charged battery pack **11** from the rear into the base of the power tool. Press the battery pack completely into the base until the red stripe can no longer be seen and the battery pack is securely locked.

Setting the operating mode

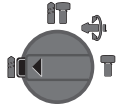
The operating mode of the power tool is selected with the mode selector switch **13**.

Note: Change the operating mode only when the machine is switched off! Otherwise, the machine can be damaged.

- To change the operating mode, push the release button **12** and turn the mode selector switch **13** to the requested position until it can be heard to latch.



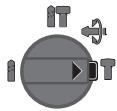
Position for **hammer drilling** in concrete or stone



Position for **drilling** without impact in wood, metal, ceramic and plastic as well as for screwdriving




Vario-Lock position for adjustment of the chiselling position
The mode selector switch **13** does not latch in this position.




Position for **chiselling**

Reversing the rotational direction

The rotational direction switch **8** is used to reverse the rotational direction of the machine. However, this is not possible with the On/Off switch **10** actuated.

Right rotation: Move the rotational direction switch **8** all the way to position .

Left rotation: Move the rotational direction switch **8** all the way to position .

Set the direction of rotation for hammer drilling, drilling and chiselling always to right rotation.

Switching On and Off

To save energy, only switch the power tool on when using it.

- To **start** the machine, press the On/Off switch **10**.

When starting the machine for the first time, a starting delay is possible, as the electronic system of the power tool has to configure itself first.

- To **switch off** the machine, release the On/Off switch **10**.

Setting the Speed/Impact Rate

The speed/impact rate of the switched on power tool can be variably adjusted, depending on how far the On/Off switch **10** is pressed.

Light pressure on the On/Off switch **10** results in low speed/impact rate. Further pressure on the switch increases the speed/impact rate.

Electronic Precision Control (EPC) (see figure L)

EPC assists you when working with impact in sensitive materials by ensuring slow start-up and reduced operating speed.

- Slide the EPC switch **30** to the desired position.



Position for maximum operating speed



Position for slow start-up and reduced operating speed

Overload Clutch

▶ **If the tool insert becomes caught or jammed, the drive to the drill spindle is interrupted. Because of the forces that occur, always hold the power tool firmly with both hands and provide for a secure stance.**

▶ **If the power tool jams, switch the machine off and loosen the tool insert. When switching the machine on with the drilling tool jammed, high reaction torques can occur.**

Rapid Shut-off (Kickback Control)

The rapid shut-off feature (KickBack Control) provides better control over the power tool. The power tool will switch off if it suddenly and unforeseeably rotates around the drilling axis.

- To **restart the machine**, release the On/Off switch and then actuate again.

Rapid shut-off is indicated by flashing of the worklight **14** on the power tool.

▶ **Rapid shut-off can trigger only when the power tool is running at maximum operating speed and can rotate freely around the drilling axis.**

Temperature Control Indicator

The red LED of the temperature control indicator **19** signals that the battery or the electronics of the power tool (when the battery is inserted) are not within the optimum temperature range. In this case, the power tool will not operate at full capacity.

Temperature control of the battery:

- The red LED **19** lights up continuously after inserting the battery into the charger: The battery is not within the charging temperature range between 0 °C and 45 °C and cannot be charged.
- The red LED **19** flashes when you press the **21** button or the On/Off switch **10** (with battery inserted): The battery is outside of the permitted operating temperature range.
- For battery temperatures over 70 °C, the power tool switches off until the battery is in the optimal temperature range again.

Temperature control of the power tool electronics:

- The red LED **19** lights up continuously when pressing the On/Off switch **10**: The temperature of the machine's electronics is below 5 °C or above 75 °C.
- At a temperature above 90 °C, the electronics of the power tool switch off until the temperature is within the allowable temperature range again.

Working Advice

Adjusting the Drilling Depth (see figure M)

The required drilling depth **X** can be set with the depth stop **17**.

- Press the button for the depth stop adjustment **15** and insert the depth stop into the auxiliary handle **16**.

12 | English

The knurled surface of the depth stop **17** must face downward.

- Insert the SDS-plus drilling tool to the stop into the SDS-plus tool holder **3**. Otherwise, the movability of the SDS-plus drilling tool can lead to incorrect adjustment of the drilling depth.
- Pull out the depth stop until the distance between the tip of the drill bit and the tip of the depth stop corresponds with the desired drilling depth **X**.

Changing the Chiselling Position (Vario-Lock)

The chisel can be locked in 36 positions. In this manner, the optimum working position can be set for each application.

- Insert the chisel into the tool holder.
- Turn the mode selector switch **13** to the “Vario-Lock” position (see “Setting the operating mode”, page 10).
- Turn the tool holder to the desired chiselling position.
- Turn the mode selector switch **13** to the “chiselling” position. The tool holder is now locked.
- For chiselling, set the rotation direction to right rotation.

Inserting Screwdriver Bits (see figure N)

- ▶ **Apply the power tool to the screw/nut only when it is switched off.** Rotating tool inserts can slip off.

To work with screwdriver bits, a universal bit holder **31** with SDS-plus shank (accessory) is required.

- Clean the shank end of the adapter shank and apply a light coat of grease.
- Insert the universal bit holder with a turning motion into the tool holder until it automatically locks.
- Check the locking effect by pulling the universal bit holder.
- Insert a screwdriver bit into the universal bit holder. Use only screwdriver bits that match the screw head.
- To remove the universal bit holder, pull the locking sleeve **5** toward the rear and remove the universal bit holder **31** out of the tool holder.

Vibration Damper


Vibration Control

The integrated vibration damper reduces occurring vibrations.

The soft grip handle increases the safety against slipping off and thus provides for a better grip and handling of the power tool.

Recommendations for Optimal Handling of the Battery

Protect the battery against moisture and water.

Store the battery only within a temperature range between $-20\text{ }^{\circ}\text{C}$ and $50\text{ }^{\circ}\text{C}$. As an example, do not leave the battery in the car in summer.

Occasionally clean the venting slots of the battery using a soft, clean and dry brush.

A significantly reduced working period after charging indicates that the battery is used and must be replaced.

Observe the notes for disposal.

Maintenance and Service

Maintenance and Cleaning

- ▶ **Before any work on the machine itself (e. g. maintenance, tool change, etc.) as well as during transport and storage, remove the battery from the power tool.**

There is danger of injury when unintentionally actuating the On/Off switch.

- ▶ **For safe and proper working, always keep the machine and ventilation slots clean.**

- ▶ **A damaged dust protection cap should be changed immediately. We recommend having this carried out by an after-sales service.**

- Clean the tool holder **3** each time after using.

After-sales Service and Application Service

Our after-sales service responds to your questions concerning maintenance and repair of your product as well as spare parts. Exploded views and information on spare parts can also be found under:

www.bosch-pt.com

Bosch's application service team will gladly answer questions concerning our products and their accessories.

In all correspondence and spare parts orders, please always include the 10-digit article number given on the nameplate of the product.

Cambodia

Robert Bosch (Cambodia) Co., Ltd
Unit 8BC, GT Tower, 08th Floor, Street 169,
Czechoslovakia Blvd, Sangkat Veal Vong
Khan 7 Makara, Phnom Penh
VAT TIN: 100 169 511
Tel.: +855 23 900 685
Tel.: +855 23 900 660
www.bosch.com.kh

People's Republic of China**China Mainland**

Bosch Power Tools (China) Co., Ltd.
567, Bin Kang Road
Bin Jiang District 310052
Hangzhou, P. R. China
Tel.: 4008268484
Fax: (0571) 87774502
E-Mail: contact.ptcn@cn.bosch.com
www.bosch-pt.com.cn

HK and Macau Special Administrative Regions

Robert Bosch Co. Ltd.
21st Floor, 625 King's Road
North Point, Hong Kong
Customer Service Hotline: +852 2101 0235
Fax: +852 2590 9762
E-Mail: info@hk.bosch.com
www.bosch-pt.com.hk

India

Bosch Service Center
69, Habibullah Road, (Next to PSBB School), T. Nagar
Chennai – 600077
Phone: (044) 64561816

Bosch Service Center Rishyamook
85A, Panchkuin Road
New Delhi – 110001
Phone: (011) 43166190

Bosch Service Center
79, Crystal Bldg., Dr. Annie Besant Road, Worli
Mumbai – 400018
Phone: (022) 39569936 / (022) 39569959 /
(022) 39569967 / (022) 24952071

Indonesia

PT Robert Bosch
Palma Tower 10th Floor
Jalan RA Kartini II-S Kaveling 6
Pondok Pinang, Kebayoran Lama
Jakarta Selatan 12310
Tel.: (21) 3005-5800
www.bosch-pt.co.id

Malaysia

Robert Bosch Sdn. Bhd. (220975-V) PT/SMY
No. 8A, Jalan 13/6
46200 Petaling Jaya
Selangor
Tel.: (03) 79663194
Toll-Free: 1800 880188
Fax: (03) 79583838
E-Mail: kiathoe.chong@my.bosch.com
www.bosch-pt.com.my

Pakistan

Robert Bosch Middle East FZE – Pakistan Liaison Office
2nd Floor Plaza # 10, CCA Block, DHA Phase 5
Lahore, 54810
Phone: +92(303)4444311
Email: Faisal.Khan@bosch.com

Philippines

Robert Bosch, Inc.
28th Floor Fort Legend Towers,
3rd Avenue corner 31st Street,
Fort Bonifacio, Global City,
1634 Taguig City
Tel.: (632) 8703871
Fax: (632) 8703870
www.bosch-pt.com.ph

Singapore

Powerwell Service Centre Ptd Ltd
Bosch Authorised Service Centre (Power Tools)
4012 Ang Mo Kio Ave 10, #01-02 TECHplace
Singapore 569628
Tel.: 6452 1770
Fax: 6452 1760
E-Mail: ask@powerwellsc.com
www.powerwellsc.com
www.bosch-pt.com.sg

Thailand

Robert Bosch Ltd.
Liberty Square Building
No. 287, 11 Floor
Silom Road, Bangrak
Bangkok 10500
Tel.: 02 6393111
Fax: 02 2384783
Robert Bosch Ltd., P. O. Box 2054
Bangkok 10501
www.bosch.co.th

Bosch Service – Training Centre
La Salle Tower Ground Floor Unit No.2
10/11 La Salle Moo 16
Srinakharin Road
Bangkaew, Bang Plee
Samutprakarn 10540
Tel.: 02 7587555
Fax: 02 7587525

Vietnam

Branch of Bosch Vietnam Co., Ltd in HCMC
Floor 10, 194 Golden Building
473 Dien Bien Phu Street
Ward 25, Binh Thanh District, Ho Chi Minh City
Tel.: (08) 6258 3690
Fax: (08) 6258 3692
Hotline: (08) 6250 8555
www.bosch-pt.com.vn

Armenia, Azerbaijan, Georgia, Kyrgyzstan, Mongolia, Tajikistan, Turkmenistan, Uzbekistan

TOO "Robert Bosch" Power Tools, After Sales Service
Rayimbek Ave., 169/1
050050, Almaty, Kazakhstan
Service Email: service.pt.ka@bosch.com
Official Website: www.bosch.com, www.bosch-pt.com

Bahrain

Hatem Al Juffali Technical Equipment Establishment.
Kingdom of Bahrain, Setra Highway, Al Aker Area
Phone: +966126971777-311
Fax: +97317704257
Email: h.berjas@ejb.com.sa

14 | English**Egypt**

Unimar
 20 Markaz kadmat
 El tagmoa EL Aoul – New Cairo
 Phone: +20 2224 76091-95
 Phone: +20 2224 78072-73
 Fax: +20 2224 78075
 Email: adelzaki@unimaregypt.com

Iran

Robert Bosch Iran
 3rd Floor, No 3, Maadiran Building
 Aftab St., Khodami St., Vanak Sq.
 Tehran 1994834571
 Phone: +9821- 86092057

Iraq

Sahba Technology Group
 Al Muthana airport road
 Baghdad
 Phone: +9647901906953
 Phone Dubai: +97143973851
 Email: bosch@sahbatechnology.com

Jordan

Roots Arabia – Jordan
 Nasser Bin Jameel street, Building 37 Al Rabiah
 11194 Amman
 Phone: +962 6 5545778
 Email: bosch@rootsjordan.com

Kuwait

Al Qurain Automotive Trading Company
 Shuwaikh Industrial Area, Block 1, Plot 16, Street 3rd
 P.O. Box 164 – Safat 13002
 Phone: 24810844
 Fax: 24810879
 E-mail: josephkr@aaalmutawa.com

Lebanon

Tehini Hana & Co. S.A.R.L.
 P.O. Box 90-449
 Jdeideh
 Dora-Beirut
 Phone: +9611255211
 Email: service-pt@tehini-hana.com

Libya

El Naser for Workshop Tools
 Swanee Road, Alfalah Area
 Tripoli
 Phone: +218 21 4811184

Oman

Malatan Trading & Contracting LLC
 P.O. Box 131
 Ruwi, 112 Sultanate of Oman
 Phone: +968 99886794
 Email: malatanpowertools@malatan.net

Qatar

International Construction Solutions W L L
 P. O. Box 51, Doha
 Phone: +974 40065458
 Fax: +974 4453 8585
 Email: csd@icsdoha.com

Saudi Arabia

Juffali Technical Equipment Co. (JTECO)
 Kilo 14, Madinah Road, Al Bawadi District
 Jeddah 21431
 Phone: +966 2 6672222 Ext. 1528
 Fax: +966 2 6676308
 Email: roland@ejb.com.sa

Syria

Dallal Establishment for Power Tools
 P.O. Box 1030
 Aleppo
 Phone: +963212116083
 Email: rita.dallal@hotmail.com

United Arab Emirates

Central Motors & Equipment LLC, P.O. Box 1984
 Al-Wahda Street – Old Sana Building
 Sharjah
 Phone: +971 6 593 2777
 Fax: +971 6 533 2269
 Email: powertools@centralmotors.ae

Yemen

Abualrejal Trading Corporation
 Sana'a Zubiery St. Front to new Parliament Building
 Phone: +967-1-202010
 Fax: +967-1-279029
 Email: tech-tools@abualrejal.com

Ethiopia

Forever plc
 Kebele 2,754, BP 4806,
 Addis Ababa
 Phone: +251 111 560 600
 Email: foreverplc@ethionet.et

Ghana

C.WOERMANN LTD.
 Nsawam Road/Avenor Junction, P.O. Box 1779
 Accra
 Phone: +233 302 225 141

Kenya

Robert Bosch East Africa Ltd
 Mpaka Road P.O. Box 856
 00606 Nairobi

Nigeria

Robert Bosch Nigeria Ltd.
 52 – 54 Isaac John Street P.O. Box
 GRA Ikeja – Lagos

Republic of South Africa

Customer service
 Hotline: (011) 6519600

Gauteng – BSC Service Centre

35 Roper Street, New Centre
Johannesburg
Tel.: (011) 4939375
Fax: (011) 4930126
E-Mail: bsctools@icon.co.za

KZN – BSC Service Centre

Unit E, Almar Centre
143 Crompton Street
Pinetown
Tel.: (031) 7012120
Fax: (031) 7012446
E-Mail: bsc.dur@za.bosch.com

Western Cape – BSC Service Centre

Democracy Way, Prosperity Park
Milnerton
Tel.: (021) 5512577
Fax: (021) 5513223
E-Mail: bsc@zsd.co.za

Bosch Headquarters

Midrand, Gauteng
Tel.: (011) 6519600
Fax: (011) 6519880
E-Mail: rbsa-hq.pts@za.bosch.com

Tanzania

Diesel & Autoelectric Service Ltd.
117 Nyerere Rd., P.O. Box 70839
Vingunguti 12109, Dar Es Salaam
Phone: +255 222 861 793/794

Australia, New Zealand and Pacific Islands

Robert Bosch Australia Pty. Ltd.
Power Tools
Locked Bag 66
Clayton South VIC 3169
Customer Contact Center
Inside Australia:
Phone: (01300) 307044
Fax: (01300) 307045
Inside New Zealand:
Phone: (0800) 543353
Fax: (0800) 428570
Outside AU and NZ:
Phone: +61 3 95415555
www.bosch-pt.com.au
www.bosch-pt.co.nz

Transport

The contained lithium-ion batteries are subject to the Dangerous Goods Legislation requirements. The user can transport the batteries by road without further requirements. When being transported by third parties (e.g.: air transport or forwarding agency), special requirements on packaging and labelling must be observed. For preparation of the item being shipped, consulting an expert for hazardous material is required.

Dispatch batteries only when the housing is undamaged. Tape or mask off open contacts and pack up the battery in such a manner that it cannot move around in the packaging. Please also observe possibly more detailed national regulations.

Disposal

The machine, rechargeable batteries, accessories and packaging should be sorted for environmental-friendly recycling.



Do not dispose of power tools and batteries/rechargeable batteries into household waste!

Battery packs/batteries:**Li-ion:**

Please observe the instructions in section "Transport", page 15.

Subject to change without notice.

中文

安全规章

电动工具通用安全警告

警告！ 阅读所有警告和所有说明！不遵照以下警告和说明会导致电击、着火和/或严重伤害。

保存所有警告和说明书以备查阅。

在所有下列的警告中术语“电动工具”指市电驱动（有线）电动工具或电池驱动（无线）电动工具。

工作场地的安全

- ▶ **保持工作场地清洁和明亮。** 混乱和黑暗的场地会引发事故。
- ▶ **不要在易爆环境，如有易燃液体、气体或粉尘的环境下操作电动工具。** 电动工具产生的火花会点燃粉尘或气体。
- ▶ **让儿童和旁观者离开后操作电动工具。** 注意力不集中会使操作者失去对工具的控制。

电气安全

- ▶ **电动工具插头必须与插座相配。绝不能以任何方式改装插头。** 需接地的电动工具不能使用任何转换插头。未经改装的插头和相配的插座将减少电击危险。
- ▶ **避免人体接触接地表面，如管道、散热片和冰箱。** 如果你身体接地会增加电击危险。
- ▶ **不得将电动工具暴露在雨中或潮湿环境中。** 水进入电动工具将增加电击危险。

16 | 中文

- ▶ **不得滥用电线。绝不能用电线搬运、拉动电动工具或拔出其插头。使电线远离热源、油、锐边或运动部件。** 受损或缠绕的软线会增加电击危险。
- ▶ **当在户外使用电动工具时，使用适合户外使用的外接软线。** 适合户外使用的软线将减少电击危险。
- ▶ **如果在潮湿环境下操作电动工具是不可避免的，应使用剩余电流动作保护器（RCD）。** 使用 RCD 可减少电击危险。

人身安全

- ▶ **保持警觉，当操作电动工具时关注所从事的操作并保持清醒。** 当你感到疲倦，或在有药物、酒精或治疗反应时，不要操作电动工具。在操作电动工具时瞬间的疏忽会导致严重人身伤害。
- ▶ **使用个人防护装置。始终佩戴护目镜。** 安全装置，诸如适当条件下使用防尘面具、防滑安全鞋、安全帽、听力防护等装置能减少人身伤害。
- ▶ **防止意外起动。确保开关在连接电源和 / 或电池盒、拿起或搬运工具时处于关断位置。** 手指放在已接通电源的开关上或开关处于接通时插入插头可能会导致危险。
- ▶ **在电动工具接通之前，拿掉所有调节钥匙或扳手。** 遗留在电动工具旋转零件上的扳手或钥匙会导致人身伤害。
- ▶ **手不要伸展得太大。时刻注意立足点和身体平衡。** 这样在意外情况下能很好地控制电动工具。
- ▶ **着装适当。不要穿宽松衣服或佩戴饰品。让衣服、手套和头发远离运动部件。** 宽松衣服、佩饰或长发可能会卷入运动部件中。
- ▶ **如果提供了与排屑、集尘设备连接的装置，要确保他们连接完好且使用得当。** 使用这些装置可减少尘屑引起的危险。

电动工具使用和注意事项

- ▶ **不要滥用电动工具，根据用途使用适当的电动工具。** 选用适当设计的电动工具会使你工作更有效、更安全。
- ▶ **如果开关不能接通或关断工具电源，则不能使用该电动工具。** 不能用开关来控制的电动工具是危险的且必须进行修理。
- ▶ **在进行任何调节、更换附件或贮存电动工具之前，必须从电源上拔掉插头和 / 或使电池盒与工具脱离。** 这种防护性措施将减少工具意外起动的危险。
- ▶ **将闲置不用的电动工具贮存在儿童所及范围之外，并且不要让不熟悉电动工具或对这些说明不了解的人操作电动工具。** 电动工具在未经培训的用户手中是危险的。
- ▶ **保养电动工具。检查运动件是否调整到位或卡住，检查零件破损情况和影响电动工具运行的其他状况。** 如有损坏，电动工具应在使用前修理好。许多事故由维护不良的电动工具引发。

- ▶ **保持切削刀具锋利和清洁。** 保养良好的有锋利切削刃的刀具不易卡住而且容易控制。
- ▶ **按照使用说明书，考虑作业条件和进行的作业来使用电动工具、附件和工具的刀头等。** 将电动工具用于那些与其用途不符的操作可能会导致危险。

电池式工具使用和注意事项

- ▶ **只用制造商规定的充电器充电。** 将适用于某种电池盒的充电器用到其他电池盒时会发生着火危险。
- ▶ **只有在配有专用电池盒的情况下才使用电动工具。** 使用其他电池盒会发生损坏和着火危险。
- ▶ **当电池盒不用时，将它远离其他金属物体，例如回形针、硬币、钥匙、钉子、螺钉或其他小金属物体，以防一端与另一端连接。** 电池端部短路会引起燃烧或火灾。
- ▶ **在滥用条件下，液体会从电池中溅出；避免接触。** 如果意外碰到了，用水冲洗。如果液体碰到了眼睛，还要寻求医疗帮助。从电池中溅出的液体会发生腐蚀或燃烧。

维修

- ▶ **将你的电动工具送交专业维修人员，使用同样的备件进行修理。** 这样将确保所维修的电动工具的安全性。

锤类工具的安全警告

- ▶ **戴好耳罩。** 暴露在噪声中会引起听力损伤。
- ▶ **使用随工具提供的辅助手柄。** 操作失手会引起人身伤害。
- ▶ **在切削附件可能触及暗线进行操作时，要通过绝缘握持面来握持工具。** 切削附件碰到带电导线会使工具外露金属零件带电从而使操作者受到电击。
- ▶ **使用合适的侦测器，以便找出隐藏的电源线的位置。** 或者向当地的供电单位索取相关资料。钻穿电线会造成火灾并遭受电击。损坏瓦斯管会引起爆炸。如果水管被刺穿了会导致财物损失。
- ▶ **工作时必须用双手握紧电动工具，并且要确保立足稳固。** 使用双手比较能够握稳电动工具。
- ▶ **固定好工件。** 使用固定装置或老虎钳固定工件，会比用手持握工件更牢固。
- ▶ **等待电动工具完全静止后才能够放下机器。** 机器上的工具可能在工作中被夹住，而令您无法控制电动工具。
- ▶ **切勿打开蓄电池。** 可能造成短路。



保护蓄电池免受高温（例如长期日照），火焰，水和湿气的侵害。有爆炸的危险。

- ▶ **如果蓄电池损坏了，或者未按照规定使用蓄电池，蓄电池中会散发出有毒蒸汽。工作场所必须保持空气流通，如果身体有任何不适必须马上就医。** 蓄电池散发的蒸汽会刺激呼吸道。

- ▶ **本蓄电池只能配合博世的电动工具一起使用。这样才能确保蓄电池不会过载。**
- ▶ **通过尖的物件如钉子或螺丝刀通过外力作用时，可能损坏蓄电池。有可能出现内部短路、蓄电池燃烧、发出烟雾、爆炸或过热。**

产品和功率描述



阅读所有的警告提示和指示。 如未确实遵循警告提示和指示，可能导致电击、火灾并且 / 或其他的严重伤害。

按照规定使用机器

本电动工具适合在混凝土、砖头和石块上进行锤钻以及从事简单的凿击工作。另外也可以在木材、金属、陶材和塑料上进行无冲击功能的钻孔作业。有电子调速和正 / 逆转功能的电动工具，也可以进行拧转作业。

插图上的机件

机件的编号和电动工具详解图上的编号一致。

- 1 快速夹头 (GBH 36 VF- LI Plus)
- 2 SDS-plus (四坑系统) - 夹头 (GBH 36 VF- LI Plus)
- 3 SDS-plus (四坑系统) 工具接头
- 4 防尘盖
- 5 锁定套筒
- 6 夹头固定环 (GBH 36 VF- LI Plus)
- 7 减震装置

技术数据

锤钻		GBH 36 V-LI Plus	GBH 36 VF-LI Plus
物品代码		3 611 J06 0..	3 611 J07 0..
转速控制装置		●	●
制动功能		●	●
正 / 逆转功能		●	●
活动式夹头		-	●
额定电压	伏特 =	36	36
额定输入功率	瓦	600	600
冲击次数	次 / 分	0 - 4200	0 - 4200
单一冲击强度符合 EPTA-Procedure 05/2009 的规定	焦耳	3.2	3.2
标称转速			
- 正转	次 / 分	0 - 940	0 - 940
- 逆转	次 / 分	0 - 930	0 - 930
工具夹头		SDS-plus (四坑系统)	SDS-plus (四坑系统)
主轴颈直径	毫米	50	50

1) 视所使用的蓄电池而定

2) 温度 <0 °C 时功率受限

使用附带的蓄电池所测得的技术数据。

- 8 正逆转开关
 - 9 手柄 (绝缘握柄)
 - 10 起停开关
 - 11 蓄电池*
 - 12 针对冲击 / 转动停止开关的解锁按键
 - 13 冲击 / 转动停止开关
 - 14 工作灯
 - 15 调整深度尺的按键
 - 16 辅助手柄 (绝缘握柄)
 - 17 深度尺
 - 18 蓄电池的解锁按键
 - 19 温度监控指示灯
 - 20 蓄电池的充电电量指示灯
 - 21 充电电量指示灯的按键
 - 22 齿环夹头上的固定螺丝 (GBH 36 V- LI Plus) *
 - 23 齿环夹头 (GBH 36 V- LI Plus) *
 - 24 夹头的 SDS-plus (四坑系统) 接头柄 (GBH 36 V- LI Plus) *
 - 25 夹头的接头 (GBH 36 VF- LI Plus)
 - 26 识别槽
 - 27 夹头扳手 (GBH 36 V- LI Plus)
 - 28 快速夹头的头前套筒 (GBH 36 VF- LI Plus)
 - 29 快速夹头的固定环 (GBH 36 VF- LI Plus)
 - 30 EPC (电子精密控制) 开关
 - 31 有 SDS-plus (四坑系统) 接头柄的通用连杆*
- * 图表或说明上提到的附件，并不包含在基本的供货范围中。本公司的附件清单中有完整的附件供应项目。

18 | 中文

锤钻		GBH 36 V-Li Plus	GBH 36 VF-Li Plus
最大钻孔直径:			
- 混凝土	毫米	28	28
- 土墙 (使用空心钻头)	毫米	82	82
- 钢板	毫米	13	13
- 木材	毫米	30	30
重量符合 EPTA-Procedure 01:2014	公斤	4.0/4.5 ¹⁾	4.1/4.6 ¹⁾
允许的环境温度			
- 充电时	°C	0...+45	0...+45
- 运行 ²⁾ 和储藏时	°C	-20...+50	-20...+50
建议使用的充电电池		GBA 36V ...	GBA 36V ...
推荐的充电器		AL36..	AL36..
		GAL 36..	GAL 36..

1) 视所使用的蓄电池而定

2) 温度 <0 °C 时功率受限

使用附带的蓄电池所测得的技术数据。

安装

为蓄电池充电 (参考插图 A)

► 只能选用附件页上提供的充电器。此充电器是电动工具上的锂离子蓄电池的专用充电器。

指示: 蓄电池在交货时只完成部分充电。首度使用电动工具之前, 必须先充足蓄电池的电以确保蓄电池的功率。

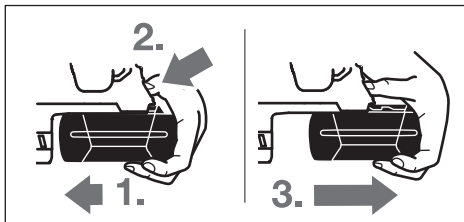
可以随时为锂离子蓄电池充电, 不会缩短电池的使用寿命。如果充电过程突然中断, 也不会损坏电池。

本锂离子蓄电池配备了 "Electronic Cell Protection (ECP) (电子充电室保护装置)", 可以防止蓄电池过度放电。电池的电量如果用尽了, 保护开关会自动关闭电动工具: 安装在机器上的工具会停止转动。

► 电动工具被关闭之后, 切勿继续按住起停开关。可能损坏电池。

取出蓄电池

本蓄电池 11 具备了双重锁定。即使不小心触动了蓄电池的解锁按键 18, 蓄电池也不会从机器中掉落出来。固定弹簧会把蓄电池夹紧在机器中。



取出蓄电池 11:

- 把蓄电池推向电动工具的手柄 (1.), 并同时按下解锁按键 18 (2.).

- 从电动工具中拉出蓄电池至可以看见红色的条纹为止 (3.).
- 再度按下解锁按键 18 便可以拿出蓄电池。

蓄电池的充电电量指示灯

三个绿色的蓄电池充电电量指示灯 20 能够显示蓄电池 11 的现有电量。基于安全的顾虑, 务必在电动工具静止时 才能够检查蓄电池的电量。

- 按下按键 21 可以显示蓄电池目前的现存电量 (也适用于已经被拆下的蓄电池)。大约 5 秒钟之后 指示灯会自动熄灭。

LED	容量
3 个绿灯持续亮着	≥2/3
2 个绿灯持续亮着	≥1/3
1 个绿灯持续亮着	<1/3
1 个绿灯闪烁	备用电量

按下按键 21 之后如果指示灯没有反应, 表示 蓄电池已经损坏了, 必须更换电池。

充电时三个绿色指示灯会先后亮起并随即熄灭。如果三个绿色指示灯持续亮着, 代表蓄电池的电量已经充足了, 此时再经过 5 分钟后充电电量指示灯 便会自动熄灭。

辅助手柄

► 操作电动工具时务必使用辅助手柄 16。

转动辅助手柄 (参考插图 B)

您可以根据需要改变辅助手柄 16 的位置, 以提高工作安全和增加工作的舒适性。

- 朝著逆时针方向转动辅助手柄 16。把辅助手柄 16 摆动到需要的位置。接著再朝顺时针方向转紧辅助手柄 16。

注意, 辅助手柄的固定套圈必须位在机壳上的固定套圈专属凹槽中。

选择夹头和工具

进行锤钻和凿削时，必须使用能够安装在 SDS-plus（四坑系统）- 夹头上的 SDS-plus（四坑系统）- 工具。

在木材，金属，陶材和塑料上进行无震动功能的正常钻，以及拧转螺丝时，必须使用无 SDS-plus 的工具（例如带圆柱柄的钻头）。上述工具必须配合快速夹头或齿环夹头一起使用。

装入 / 取出齿环夹头 (GBH 36 V- LI Plus)

必须在机器上安装合适的夹头（齿环夹头，快速夹头或附件）后，才能使用无 SDS-plus（四坑系统）的工具（例如有圆柱柄的钻头）。

组合齿环夹头（参考插图 C）

- 把有 SDS-plus（四坑系统）接头柄的通用连杆 24 转入齿环夹头 23 中。以螺丝 22 固定齿环夹头 23。注意，固定螺丝有左螺纹。

安装齿环夹头（参考插图 C）

- 清洁接头柄的末端并在接头柄末端涂抹少许油脂。
- 把齿环夹头的接头柄拧入机器的工具接头中，至接头柄自动锁定为止。
- 抽拉齿环夹头，以确定夹头是否已经锁定了。

拆卸齿环夹头

- 向后抽拉锁定套筒 5，接著便可以拔出齿环夹头 23。

拆卸 / 安装夹头 (GBH 36 VF- LI Plus)

可使用快速夹头 1（包含在供货范围中）替代 SDS-plus（四坑系统）夹头 2，更换过程快速简便。

拆卸夹头（参考插图 D）

- 向后抽拉夹头固定环 6 並握住固定环，接著便可以朝前拔出 SDS-plus 夹头 2 或快速夹头 1。
- 保护被拆下的夹头免受污垢沾染。

安装夹头（参考插图 E）

- ▶ 指示只能使用特别针对各个机型的原始装备，同时也要注意识别槽 26 的数目。只能换上有两道或三道识别槽的夹头。使用了不合适的夹头，夹头会在操作中掉落。
- 先清洁夹头然后再安装，必须在接头柄的末端涂抹少许油脂。
- 握住 SDS-plus（四坑系统）夹头 2 或快速夹头 1，把夹头拧入接头 25 中直至能够清楚地听到卡牢声为止。
- 此时夹头已经自动锁定。但是仍要抽拉夹头检查其是否已经正确套紧。

更换工具

防尘盖 4 可以防止工作时凿削粉尘侵入夹头中。安装工具时必须小心，勿损坏防尘盖 4。

- ▶ 如果防尘盖损坏了必须马上更换。最好委托本公司的顾客服务处换装。

更换工具 (SDS-plus（四坑系统）)

安装 SDS-plus（四坑系统）工具（参考插图 F）

有了 SDS-plus（四坑系统）夹头，不必使用工具也可以快速便利地安装钻头。

- GBH 36 VF- LI Plus: 安装 SDS-plus（四坑系统）夹头 2。
- 清洁工具柄並在柄上塗少许润滑脂。
- 把工具转入工具夹头中，至工具自动锁牢为止。
- 抽拉工具以确定它是否正确锁紧了。

SDS-plus（四坑系统）系统的工具是活动的，因此在无负载状态下此类工具会偏心旋转。开始钻孔时工具便会自动定心，所以上述现象并不会影响钻孔的准确度。

拆卸 SDS-plus（四坑系统）工具（参考插图 G）

- 向后推移锁定套筒 5 並取出工具。

更换工具 (无 SDS-plus)(GBH 36 V-LI Plus)

安装工具（参考插图 H）

指示：不可以使用无 SDS-plus（四坑系统）系统的工具进行锤钻和凿削！没有 SDS-plus（四坑系统）系统的工具和夹头会在进行锤钻和凿削时受损。

- 装上齿环夹头 23（参考“装入 / 取出齿环夹头”，第 19 页）。
- 转动齿环夹头 23 至能够装入工具为止，安装好工具。
- 把夹头扳手插入齿环夹头 23 上的扳手孔中，均匀地拧紧扳手来固定好工具。
- 把冲击 / 转动停止开关 13 拧转到“正常钻”的位置。

拆卸工具（参考插图 I）

- 使用夹头扳手，朝著逆时针方向转动齿环夹头 23 上的套筒，至能够拿出工具为止。

更换工具 (无 SDS-plus)(GBH 36 VF-LI Plus)

安装工具（参考插图 J）

指示：不可以使用无 SDS-plus（四坑系统）系统的工具进行锤钻和凿削！没有 SDS-plus（四坑系统）系统的工具和夹头会在进行锤钻和凿削时受损。

- 装上快速夹头 1。
- 握紧快速夹头的固定环 29，拧转前套筒 28 来打开工具夹头，必须把夹头张开到能够装入钻头为止。握紧固定环 29 并朝著箭头的方向用力地转动前套筒 28，至能够清楚地听到棘轮的摩擦声为止。

20 | 中文

- 以抽拉的方式，检查工具是否已经装牢了。

指示：当工具夹头被完全打开之后如果想再度关闭夹头，可能发生只听到棘轮的摩擦声却无法关闭夹头的情况。

此时必须朝著箭头的相反方向转动前套筒 28，接著便能够再度关闭夹头。

- 把冲击 / 转动停止开关 13 拧转到 " 正常钻 " 的位置。

拆卸工具 (参考插图 K)

- 握紧快速夹头的固定环 29 朝著箭头的指示方向转动前套筒 28 至能够拿出工具为止。

带 GDE 16 Plus 的吸尘装置 (附件)

- ▶ 含铅的颜料以及某些木材、矿物和金属的加工废尘有害健康。机器操作者或者工地附近的人如果接触、吸入这些废尘，可能会有过敏反应或者感染呼吸道疾病。

某些尘埃 (例如加工橡木或山毛榉的废尘) 可能致癌，特别是和处理木材的添加剂 (例如木材的防腐剂等) 结合之后。只有经过专业训练的人才能够加工含石棉的物料。

- 尽可能使用适合物料的吸尘装置。
- 工作场所要保持空气流通。
- 最好佩戴 P2 滤网等级的口罩。

请留心并遵守贵国和加工物料有关的法规。

- ▶ **避免让工作场所堆积过多的尘垢。** 尘埃容易被点燃。

吸尘装置需要一个 GDE 16 Plus (附件)。

根据工件的物料选择合适的吸尘装置。

吸集可能危害健康，可能导致癌症或干燥的废尘时，务必使用特殊的吸尘装置。

操作

操作机器

安装蓄电池

- 把正逆转开关 8 设定在中央的位置，以避免不小心开动电动工具。
- 把充好电的蓄电池 11 从后面推入电动工具的底座。要将蓄电池完全地装入底座中，必须推压至无法看见红色的条纹，并且确定蓄电池已经牢牢地卡住为止。

设定操作模式

使用冲击 / 转动停止开关 13 设定电动工具的操作功能。

指示：务必先关闭电动工具，然后才可以改变操作功能！否则会损坏电动工具。

- 变换操作功能时必须先按下解锁按键 12。接著再把冲击 / 转动停止开关 13 拧转到需要的功能上，转换功能时必须能够听见开关 吻合的声音。



在混凝土或石材上进行**震动钻**时的设定方式



在木材，金属，陶材和塑料上进行无震动功能的**正常钻**以及拧转螺丝时的设定位置



Vario-Lock，改变凿头的开关位置
在这个位置冲击 / 转动停止开关 13 不会齿合。



进行**凿削**时的开关位置

改变转向

使用正逆转开关 8 可以改变机器的转向。如果按住了起停开关 10，则无法改变转向。

正转：将正逆转开关 8 推至位置底部 ←。

逆转：将正逆转开关 8 推至位置顶部 →。

进行震动钻、正常钻和凿削时，都必须把转向设定为正转。

开动 / 关闭

为了节约能源，只在当您使用机器时，才开动电动工具。

- 按下起停开关 10，可以 **开动** 电动工具。

第一次开动电动工具时，可能发生延缓起动的现象，因为此时电动工具的电子配件必须先进行调配。

放开 起停开关 10 便可以关闭机器。

调整转速 / 冲击次数

随著在起停开关 10 上施压大小，可以无级式地提高或降低转速 / 冲击次数。

轻按起停开关 10，机器以低转速 / 冲击次数运作。增强施加在起停开关上的压力，可以提高机器的转速 / 冲击次数。

电子精密控制 (EPC) (参考插图 L)

EPC 通过缓慢加速和降低转速来为您锤击敏感材料提供支持。

- 将 EPC 开关 30 推至所需位置。



最大工作转速位置



缓慢加速和降低工作转速位置

过载离合器

- ▶ 如果工具卡住了，传往主轴的动力会中断。此时会产生非常大的震动力。因此操作机器时务必要用双手握紧机器，并且要确保立足稳固。
- ▶ 如果电动工具卡住了，先关闭电动工具，再取出工具。开动工具被卡住的电动工具，会产生很高的反应力矩。

快速关断功能 (Kickback Control)

利用快速关断功能 (Kickback Control) 可以更好地控制电动工具。在电动工具的钻轴突然意外旋转时，自动关闭电动工具。

- 如要重新使用工具，则松开起停开关，然后再次按压。

电动工具上的工作灯 14 闪烁即表示激活了快速关断功能。

- ▶ 快速关断功能仅在电动工具以最大工作转速转动且可以围绕钻轴自由转动时才触发。

温度监控指示灯

当蓄电池或电动工具的电子配件（已经装上蓄电池）的温度位在许可的温度范围之外时，红色的温度监控指示灯 19 便会发出信号。此时电动工具无法以最大功率工作。

蓄电池的温度监控：

- 把蓄电池装入充电器中之后，红色指示灯 19 持续亮着：蓄电池的温度在充电许可温度范围（摄氏 0 到摄氏 45 度）之外，此时无法充电。
- 按下按钮 21 或开关 10 时，红色 LED 19 闪烁（已装入电池）：电池超出允许的温度范围。
- 如果蓄电池的温度超过摄氏 70 度，电动工具会自动关闭。待蓄电池恢复到合适的温度范围后，机器才会继续运作。

电动工具的电子温控功能：

- 按下起停开关 10 之后，红色指示灯 19 持续亮着：电动工具的电子装备的温度低于摄氏 5 度或高过摄氏 75 度。
- 当温度超过摄氏 90 度时，电动工具的电子配件会自动关闭。待温度恢复到许可的温度范围后才会正常运作。

有关操作方式的指点

调整钻深（参考插图 M）

使用深度尺 17 可以设定需要的钻深 X。

- 按下调整深度尺的按键 15，再把深度尺装入辅助手柄 16 中。
深度尺 17 上的肋纹必须朝下。
- 把 SDS-plus（四坑系统）工具插入 SDS-plus（四坑系统）接头 3 中，并把工具推到底。如果未安装好工具，会影响设定深度的准确性。
- 适当调整深度尺，从钻咀尖端到深度尺尖端的距离必须和需要的钻深 X 一致。

改变凿头位置 (Vario-Lock)

凿头有 36 个不同的锁定位置。如此可确保最佳的工作姿势。

- 把凿头装入工具夹头中。
- 把冲击/转动停止开关 13 拧转到“Vario-Lock”的设定位置上（参考“设定操作模式”，第 20 页）。
- 把凿头旋转到需要的工作位置上。
- 把冲击/转动停止开关 13 拧转到“凿削”功能的位置上。此时工具会自动被锁定。
- 进行凿削时必须把转向设定为正转。

安装螺丝批嘴（参考插图 N）

- ▶ 先关闭电动工具，然后再把工具放置在螺母/螺丝上。安装在接头上的工具如果仍继续转动，容易从螺丝头上滑开。

使用螺丝批嘴时必须在机器上安装有 SDS-plus（四坑系统）接头柄的通用连杆 31。

- 清洁接头柄的末端并在接头柄末端涂抹少许油脂。
- 把通用连杆拧入工具接头中，并让连杆自动锁定。
- 抽拉连杆，检查连杆是否已经正确锁牢。
- 把螺丝批嘴插入通用连杆中。必须使用与螺丝头大小相符的螺丝批嘴。
- 拆卸通用连杆时必须先向后抽拉锁定套筒 5，接着便可以从工具接头上取出通用连杆 31。

减震装置



内建的减震系统，能够减轻工作时产生的震动。

机器的软柄具备了止滑的效果因此能够提高持机的稳定性，更能够确保使用者灵活地操作电动工具。

如何正确地使用蓄电池

保护蓄电池，避免湿气和水分渗入。

蓄电池必须储存在摄氏 -20 到 50 度的环境中。夏天不可以把蓄电池搁置在汽车中。

不定时地使用柔软，清洁而且干燥的毛刷清洁蓄电池的通气孔。

充电后如果蓄电池的使用时间明显缩短，代表蓄电池已经损坏，必须更换新的蓄电池。

请注意有关作废处理的规定。

维修和服务

维修和清洁

- ▶ 在电动工具上进行任何维护的工作（例如维修，更换工具等等），以及搬运、保存电动工具之前都必须从机器中取出蓄电池。不小心开动了起停开关可能造成伤害。
- ▶ 电动工具和通风间隙都必须保持清洁，这样才能提高工作品质和安全性。
- ▶ 如果防尘盖坏损了必须马上更换。最好委托本公司的顾客服务处换装。
- 每次操作完毕后，都得清洁工具接头 3。

顾客服务处和顾客咨询中心

本公司顾客服务处负责回答有关本公司产品的修理，维护和备件的问题。以下的网页中有爆炸图和备件的资料：

www.bosch-pt.com

博世顾客咨询团队非常乐意为您解答有关本公司产品及附件的问题。

如需查询和订购备件，请务必提供产品型号铭牌上的 10 位数货号。

有关保证，维修或更换零件事宜，请向合格的经销商查询。

中国大陆

博世电动工具（中国）有限公司

中国 浙江省 杭州市

滨江区滨康路 567 号

邮政编码：310052

免费服务热线：4008268484

传真：(0571) 87774502

电邮：contact_ptcn@cn.bosch.com

www.bosch-pt.com.cn

罗伯特·博世有限公司

香港北角英皇道 625 号 21 楼

客户服务热线：+852 2101 0235

传真：+852 2590 9762

电邮：info@hk.bosch.com

网站：www.bosch-pt.com.hk

制造商地址：

Robert Bosch Power Tools GmbH

罗伯特·博世电动工具有限公司

70538 Stuttgart / GERMANY

70538 斯图加特 / 德国

搬运

随着机器一起供货的锂离子蓄电池必须受危险物品法规范。使用者无须另外使用保护包装便可以运送该蓄电池。

但是如果将它交由第三者运送（例如：寄空运或委托运输公司）则要用特殊的包装和标示。此时必须向危险物品专家请教有关寄送危险物品的相关事宜。

确定蓄电池的外壳未受损后，才可以寄送蓄电池。粘好未加盖的触点并包装好蓄电池，不可以让蓄电池在包装中晃动。

必要时也得注意各国有关的法规。

处理废弃物



必须以符合环保的方式，回收再利用损坏的电动工具，蓄电池，附件和废弃的包装材料。



不可以把电动工具和蓄电池 / 电池丢入一般的家庭垃圾中！

充电电池 / 电池：

锂离子：

请注意“搬运”段落中的指示，页 22。

保留修改权。

中文

安全規章

電動工具通用安全警告

警告 閱讀所有警告和所有說明。不遵照以下警告和說明會導致電擊、著火和 / 或嚴重傷害。

保存所有警告和說明書以備查閱。

在所有下列的警告中術語“電動工具”指市電驅動（有線）電動工具或電池驅動（無線）電動工具。

工作場地的安全

- ▶ 保持工作場地清潔和明亮。混亂和黑暗的場地會引發事故。
- ▶ 不要在易爆環境，如有易燃液體、氣體或粉塵的環境下操作電動工具。電動工具產生的火花會點燃粉塵或氣體。
- ▶ 讓兒童和旁觀者離開後操作電動工具。注意力不集中會使你失去對工具的控制。

電氣安全

- ▶ 電動工具插頭必須與插座相配。絕不能以任何方式改裝插頭。需接地的電動工具不能使用任何轉換插頭。未經改裝的插頭和相配的插座將減少電擊危險。
- ▶ 避免人體接觸接地表面，如管道、散熱片和冰箱。如果你身體接地會增加電擊危險。
- ▶ 不得將電動工具暴露在雨中或潮濕環境中。水進入電動工具將增加電擊危險。

- ▶ **不得濫用電線。**絕不能用電線搬運、拉動電動工具或拔出其插頭。使電線遠離熱源、油、銳邊或運動部件。受損或纏繞的軟線會增加電擊危險。
- ▶ **當在戶外使用電動工具時，使用適合戶外使用的外接軟線。**適合戶外使用的軟線，將減少電擊危險。
- ▶ **如果在潮濕環境下操作電動工具是不可避免的，應使用剩餘電流動作保護器（RCD）。**使用 RCD 可減小電擊危險。

人身安全

- ▶ **保持警覺，當操作電動工具時關注所從事的操作並保持清醒。**當你感到疲倦，或在有藥物、酒精或治療反應時，不要操作電動工具。在操作電動工具時瞬間的疏忽會導致嚴重人身傷害。
- ▶ **使用個人防護裝置。始終佩戴護目鏡。**安全裝置，諸如適當條件下使用防塵面具、防滑安全鞋、安全帽、聽力防護等裝置能減少人身傷害。
- ▶ **防止意外起動。確保開關在連接電源和 / 或電池盒、拿起或搬運工具時處於關斷位置。**手指放在已接通電源的開關上或開關處於接通時插入插頭可能會導致危險。
- ▶ **在電動工具接通之前，拿掉所有調節鑰匙或扳手。**遺留在電動工具旋轉零件上的扳手或鑰匙會導致人身傷害。
- ▶ **手不要伸展得太長。時刻注意立足點和身體平衡。**這樣在意外情況下能很好地控制電動工具。
- ▶ **著裝適當。不要穿寬鬆衣服或佩戴飾品。**讓你的衣服、手套和頭髮遠離運動部件。寬鬆衣服、佩飾或長髮可能會捲入運動部件中。
- ▶ **如果提供了與排屑、集塵設備連接用的裝置，要確保他們連接完好且使用得當。**使用這些裝置可減少塵屑引起的危險。

電動工具使用和注意事項

- ▶ **不要濫用電動工具，根據用途使用適當的電動工具。**選用適當設計的電動工具會使你工作更有效、更安全。
- ▶ **如果開關不能接通或關斷工具電源，則不能使用該電動工具。**不能用開關來控制的電動工具是危險的且必須進行修理。
- ▶ **在進行任何調節、更換附件或貯存電動工具之前，必須從電源上拔掉插頭和 / 或使電池盒與工具脫開。**這種防護性措施將減少工具意外起動的危險。
- ▶ **將閒置不用的電動工具貯存在兒童所及範圍之外，並且不要讓不熟悉電動工具或對這些說明不瞭解的人操作電動工具。**電動工具在未經培訓的用戶手中是危險的。
- ▶ **保養電動工具。檢查運動件是否調整到位或卡住，檢查零件破損情況和影響電動工具運行的其他狀況。如有損壞，電動工具應在使用前修理好。**許多事故由維護不良的電動工具引發。

- ▶ **保持切削刀具鋒利和清潔。**保養良好的有鋒利切削刃的刀具不易卡住而且容易控制。
- ▶ **按照使用說明書，考慮作業條件和進行的作業來使用電動工具、附件和工具的刀頭等。**將電動工具用於那些與其用途不符的操作可能會導致危險。

電池式工具使用和注意事項

- ▶ **只用製造商規定的充電器充電。**將適用於某種電池盒的充電器用到其他電池盒時會發生著火危險。
- ▶ **只有在配有專用電池盒的情況下才使用電動工具。**使用其他電池盒會發生損壞和著火危險。
- ▶ **當電池盒不用時，將它遠離其他金屬物體，例如回形針、硬幣、鑰匙、釘子、螺釘或其他小金屬物體，以防一端與另一端連接。**電池端部短路會引起燃燒或火災。
- ▶ **在濫用條件下，液體會從電池中濺出；避免接觸。**如果意外碰到了，用水沖洗。如果液體碰到了眼睛，還要尋求醫療幫助。從電池中濺出的液體會發生腐蝕或燃燒。

檢修

- ▶ **將你的電動工具送交專業維修人員，必須使用同樣的備件進行更換。**這樣將確保所維修的電動工具的安全性。

針對電鎚的安全規章

- ▶ **佩戴耳罩。**工作噪音會損壞聽力。
- ▶ **如果電動工具提供了輔助手柄便要使用它。**操作時失控可能導致傷害。
- ▶ **工作時如果安裝在電動工具上的工具可能割斷隱藏的電線，一定要握住絕緣手柄操作機器。**安裝在電動工具上的工具如果接觸了帶電的線路，電動工具上的金屬部件會導電，可能造成操作者觸電。
- ▶ **使用合適的偵測器，以便找出隱藏著的電源線的位置。**或者向當地的供電單位索取相關資料。鑽穿電線會造成火災並遭受電擊。損壞瓦斯管會引起爆炸。如果水管被刺穿了會導致財物損失。
- ▶ **工作時必須用雙手握緊電動工具，並且要確保立足穩固。**使用雙手比較能夠握穩電動工具。
- ▶ **固定好工件。**使用固定裝置或老虎鉗固定工件，會比用手持握工件更牢固。
- ▶ **等待電動工具完全靜止後才能夠放下機器。**機器上的工具可能在工作中被夾住，而令您無法控制電動工具。
- ▶ **切勿打開蓄電池。**可能造成短路。



保護蓄電池免受高溫（例如長期日照），火焰，水和濕氣的侵害。有爆炸的危險。

- ▶ **如果蓄電池損壞了，或者未按照規定使用蓄電池，蓄電池中會散發出有毒蒸汽。**工作場所必須保持空氣流通，如果身體有任何不適必須馬上就醫。蓄電池散發的蒸汽會刺激呼吸道。

24 | 中文

- ▶ **本蓄電池只能配合博世的電動工具一起使用。** 這樣才能確保蓄電池不會過載。
- ▶ **尖銳物品（例如釘子或螺絲起子）或是外力皆有可能造成充電電池損壞，進而導致內部短路而發生電池起火、冒煙、爆炸或過熱等事故。**

產品和功率描述



閱讀所有的警告提示和指示。 如未確實遵循警告提示和指示，可能導致電擊、火災並且 / 或其他的嚴重傷害。

按照規定使用機器

本電動工具適合在混凝土、磚頭和石塊上進行錘鑽以及從事簡單的鑿擊工作。另外也可以在木材、金屬、陶材和塑料上進行無沖擊功能的鑽孔作業。有電子調速和正 / 逆轉功能的電動工具，也可以進行擰轉作業。

插圖上的機件

機件的編號和電動工具詳解圖上的編號一致。

- 1 快速夾頭 (GBH 36 VF- LI Plus)
- 2 SDS-plus (四坑系統) - 夾頭 (GBH 36 VF- LI Plus)
- 3 SDS-plus (四坑系統) 工具接頭
- 4 防塵蓋
- 5 鎖定套筒
- 6 夾頭固定環 (GBH 36 VF- LI Plus)
- 7 減震裝置

- 8 正逆轉開關
 - 9 手柄 (絕緣握柄)
 - 10 起停開關
 - 11 蓄電池*
 - 12 針對沖擊 / 轉動停止開關的解鎖按鍵
 - 13 沖擊 / 轉動停止開關
 - 14 工作燈
 - 15 調整深度尺的按鍵
 - 16 輔助手柄 (絕緣握柄)
 - 17 深度尺
 - 18 蓄電池的解鎖按鍵
 - 19 溫度監控指示燈
 - 20 蓄電池的充電電量指示燈
 - 21 充電電量指示燈的按鍵
 - 22 齒環夾頭上的固定螺絲 (GBH 36 V- LI Plus) *
 - 23 齒環夾頭 (GBH 36 V- LI Plus) *
 - 24 夾頭的 SDS-plus (四坑系統) 接頭柄 (GBH 36 V- LI Plus) *
 - 25 夾頭的接頭 (GBH 36 VF- LI Plus)
 - 26 識別槽
 - 27 夾頭扳手 (GBH 36 V- LI Plus)
 - 28 快速夾的頭前套筒 (GBH 36 VF- LI Plus)
 - 29 快速夾頭的固定環 (GBH 36 VF- LI Plus)
 - 30 電子精控開關 (Electronic Precision Control)
 - 31 有 SDS-plus (四坑系統) 接頭柄的通用連桿*
- *圖表或說明上提到的附件，並不包含在基本的供貨範圍中。本公司的附件清單中有完整的附件供應項目。

技術性數據

鎚鑽		GBH 36 V-LI Plus	GBH 36 VF-LI Plus
物品代碼		3 611 J06 0..	3 611 J07 0..
轉速控制裝置		●	●
制動功能		●	●
正 / 逆轉功能		●	●
活動式夾頭		-	●
額定電壓	伏特 =	36	36
額定輸入功率	瓦	600	600
沖擊次數	次 / 分	0 - 4200	0 - 4200
單一衝擊強度符合 EPTA-Procedure 05/2009 的規定	焦耳	3.2	3.2
標稱轉速			
- 正轉	次 / 分	0 - 940	0 - 940
- 逆轉	次 / 分	0 - 930	0 - 930
工具夾頭		SDS-plus (四坑系統)	SDS-plus (四坑系統)

1) 視所使用的蓄電池而定

2) 溫度 <0 °C 時，性能受限

使用附帶的蓄電池所測得的技術數據。

繼續		GBH 36 V-Li Plus	GBH 36 VF-Li Plus
主軸頸直徑	毫米	50	50
最大鑽孔直徑：			
- 混凝土	毫米	28	28
- 土牆（使用空心鑽頭）	毫米	82	82
- 鋼板	毫米	13	13
- 木材	毫米	30	30
重量符合 EPTA-Procedure 01:2014	公斤	4.0/4.5 ¹⁾	4.1/4.6 ¹⁾
容許環境溫度			
- 充電狀態下	°C	0...+45	0...+45
- 運轉時 ²⁾ 與存放狀態下	°C	-20...+50	-20...+50
建議使用之充電電池		GBA 36V ...	GBA 36V ...
建議使用的充電器		AL36..	AL36..
		GAL 36..	GAL 36..

1) 視所使用的蓄電池而定

2) 溫度 <0 °C 時，性能受限

使用附帶的蓄電池所測得的技術數據。

安裝

為蓄電池充電（參考插圖 A）

▶ 只能選用附件頁上提供的充電器。此充電器是電動工具上的鋰離子蓄電池的專用充電器。

指示：蓄電池在交貨時只完成部分充電。首度使用電動工具之前，必須先充足蓄電池的電以確保蓄電池的功率。

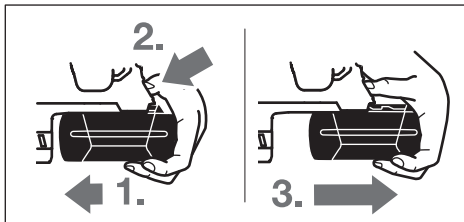
可以隨時為鋰離子蓄電池充電，不會縮短電池的使用壽命。如果充電過程突然中斷，也不會損壞電池。

本鋰離子蓄電池配備了 "Electronic Cell Protection (ECP) (電子充電室保護裝置)"，可以防止蓄電池過度放電。電池的電量如果用盡了，保護開關會自動關閉電動工具；安裝在機器上的工具會停止轉動。

▶ 電動工具被關閉之後，切勿繼續按住起停開關。可能損壞電池。

取出蓄電池

本蓄電池 11 具備了雙重鎖定。即使不小心觸動了蓄電池的解鎖按鍵 18，蓄電池也不會從機器中掉落出來。固定彈簧會把蓄電池夾緊在機器中。



取出蓄電池 11：

- 把蓄電池推向電動工具的手柄（1.），並同時按下解鎖按鍵 18（2.）。

- 從電動工具中拉出蓄電池至可以看見紅色的條紋為止（3.）。
- 再度按下解鎖按鍵 18 便可以拿出蓄電池。

蓄電池的充電電量指示燈

三個綠色的蓄電池充電電量指示燈 20 能夠顯示蓄電池 11 的現有電量。基於安全的顧慮，務必在電動工具靜止時 才能夠檢查蓄電池的電量。

- 按下按鍵 21 可以顯示蓄電池目前的現存電量（也適用於已經被拆下的蓄電池）。大約 5 秒鐘之後 顯示燈會自動熄滅。

LED	容量
3 個綠燈持續亮著	≥2/3
2 個綠燈持續亮著	≥1/3
1 個綠燈持續亮著	<1/3
1 個綠燈閃爍	備用電量

按下按鍵 21 之後如果指示燈沒有反應，表示 蓄電池已經損壞了，必須更換電池。

充電時三個綠色指示燈會先后亮起並隨即熄滅。如果三個綠色指示燈持續亮著，代表蓄電池的 電量已經充足了，此時再經過 5 分鐘後充電電量指示燈 便會自動熄滅。

輔助手柄

▶ 操作電動工具時務必使用輔助手柄 16。

轉動輔助手柄（參考插圖 B）

您可以根據需要改變輔助手柄 16 的位置，以提高工作安全和增加工作的舒適性。

- 朝著逆時針方向轉動輔助手柄 16。把輔助手柄 16 擺動到需要的位置。接著再朝順時針方向轉緊輔助手柄 16。

26 | 中文

注意，輔助手柄的固定套圈必須位在機殼上的固定套圈專屬凹槽中。

選擇夾頭和工具

進行錘鑽和鑿削時，必須使用能夠安裝在 SDS-plus（四坑系統）- 夾頭上的 SDS-plus（四坑系統）- 工具。

在木材，金屬，陶材和塑料上進行無震動功能的正常鑽，以及擰轉螺絲時，必須使用無 SDS-plus 的工具（例如帶圓柱柄的鑽頭）。上述工具必須配合快速夾頭或齒環夾頭一起使用。

安裝 / 取下齒環式夾頭 (GBH 36 V-LI Plus)

必須在機器上安裝合適的夾頭（齒環夾頭，快速夾頭或附件）後，才能使用無 SDS-plus（四坑系統）的工具（例如有圓柱柄的鑽頭）。

組合齒環夾頭（參考插圖 C）

- 把有 SDS-plus（四坑系統）接頭柄的通用連桿 24 轉入齒環夾頭 23 中。以螺絲 22 固定齒環夾頭 23。注意，固定螺絲有左螺紋。

安裝齒環夾頭（參考插圖 C）

- 清潔接頭柄的末端並在接頭柄末端塗抹少許油脂。
- 把齒環夾頭的接頭柄擰入機器的工具接頭中，至接頭柄自動鎖定為止。
- 抽拉齒環夾頭，以確定夾頭是否已經鎖定了。

拆卸齒環夾頭

- 向後抽拉鎖定套筒 5，接著便可以拔出齒環夾頭 23。

拆卸 / 安裝夾頭 (GBH 36 VF-LI Plus)

可使用快速夾頭 1（包含在供貨範圍中）替代 SDS-plus（四坑系統）夾頭 2，更換過程快速簡便。

拆卸夾頭（參考插圖 D）

- 向後抽拉夾頭固定環 6 並握住固定環，接著便可以朝前拔出 SDS-plus 夾頭 2 或快速夾頭 1。
- 保護被拆下的夾頭免受污垢沾染。

安裝夾頭（參考插圖 E）

- ▶ 指示只能使用特別針對各個機型的原始裝備，同時也要注意識別槽 26 的數目。只能換上有兩道或三道識別槽的夾頭。使用了不合適的夾頭，夾頭會在操作中掉落。
- 先清潔夾頭然後再安裝，必須在接頭柄的末端塗抹少許油脂。
- 握住 SDS-plus（四坑系統）夾頭 2 或快速夾頭 1，把夾頭擰入接頭 25 中直至能夠清楚地聽到卡牢聲響為止。
- 此時夾頭已經自動鎖定。但是仍要抽拉夾頭檢查其是否已經正確套緊。

更換工具

防塵蓋 4 可以防止工作時鑿削廢塵侵入夾頭中。安裝工具時必須小心，勿損壞防塵蓋 4。

- ▶ 如果防塵蓋壞了必須馬上更換。最好委托本公司的顧客服務處換裝。

更換工具 (SDS-plus (四坑系統))

安裝 SDS-plus（四坑系統）工具（參考插圖 F）

有了 SDS-plus（四坑系統）夾頭，不必使用工具也可以快速便利地安裝鑽頭。

- GBH 36 VF-LI Plus：安裝 SDS-plus（四坑系統）夾頭 2。
- 清潔工具柄並在柄上塗少許潤滑脂。
- 把工具轉入工具夾頭中，至工具自動鎖牢為止。
- 抽拉工具以確定它是否正確鎖緊了。

SDS-plus（四坑系統）系統的工具是活動的，因此在無負載狀態下此類工具會偏心旋轉。開始鑽孔時工具便會自動定心，所以上述現象並不會影響鑽孔的準確度。

拆卸 SDS-plus（四坑系統）工具（參考插圖 G）

- 向後推移鎖定套筒 5 並取出工具。

更換工具 (無 SDS-plus)

(GBH 36 V-LI Plus)

安裝工具（參考插圖 H）

指示：不可以使用無 SDS-plus（四坑系統）系統的工具進行錘鑽和鑿削！沒有 SDS-plus（四坑系統）系統的工具和夾頭會在進行錘鑽和鑿削時受損。

- 裝上齒環夾頭 23（參考“安裝 / 取下齒環式夾頭”第 26 頁）。
- 轉動齒環夾頭 23 至能夠裝入工具為止，安裝好工具。
- 把夾頭扳手插入齒環夾頭 23 上的扳手孔中，均勻地擰緊扳手來固定好工具。
- 把沖擊 / 轉動停止開關 13 擰轉到“正常鑽”的位置。

拆卸工具（參考插圖 I）

- 使用夾頭扳手，朝著逆時針方向轉動齒環夾頭 23 上的套筒，至能夠拿出工具為止。

更換工具 (無 SDS-plus)

(GBH 36 VF-LI Plus)

安裝工具（參考插圖 J）

指示：不可以使用無 SDS-plus（四坑系統）系統的工具進行錘鑽和鑿削！沒有 SDS-plus（四坑系統）系統的工具和夾頭會在進行錘鑽和鑿削時受損。

- 裝上快速夾頭 1。

- 握緊快速夾頭的固定環 **29**，擰轉前套筒 **28** 來打開工具夾頭，必須把夾頭張開到能夠裝入鑽頭為止。握緊固定環 **29** 並朝著箭頭的方向用力地轉動前套筒 **28**，至能夠清楚地聽到棘輪的磨擦聲為止。
- 以抽拉的方式，檢查工具是否已經裝牢了。

指示：當工具夾頭被完全打開之後如果想再度關閉夾頭，可能發生只聽到棘輪的磨擦聲卻無法關閉夾頭的情況。

此時必須朝著箭頭的相反方向轉動前套筒 **28**，接著便能夠再度關閉夾頭。

- 把沖擊 / 轉動停止開關 **13** 擰轉到 " 正常鑽 " 的位置。

拆卸工具 (參考插圖 K)

- 握緊快速夾頭的固定環 **29** 朝著箭頭的指示方向轉動前套筒 **28** 至能夠拿出工具為止。

搭配 GDE 16 Plus 即可使用吸塵功能 (附件)

- ▶ 含鉛的顏料以及某些木材、礦物和金屬的加工廢塵有害健康。機器操作者或者工地附近的人如果接觸、吸入這些廢塵，可能會有過敏反應或者感染呼吸道疾病。

某些塵埃 (例如加工橡木或山毛櫸的廢塵) 可能致癌，特別是和處理木材的添加劑 (例如木材的防腐劑等) 結合之後。只有經過專業訓練的人才能夠加工含石棉的物料。

- 盡可能使用適合物料的吸塵裝置。
- 工作場所要保持空氣流通。
- 最好佩戴 P2 濾網等級的口罩。

請留心並遵守貴國和加工物料有關的法規。

- ▶ 避免讓工作場所堆積過多的塵垢。塵埃容易被點燃。

如欲使用吸塵功能，則需用到 GDE 16 Plus (配件)。根據工件的物料選擇合適的吸塵裝置。

吸集可能危害健康，可能導致癌症或乾燥的廢塵時，務必使用特殊的吸塵裝置。

操作

操作機器

安裝蓄電池

- 把正逆轉開關 **8** 設定在中央的位置，以避免不小心開動電動工具。
- 把充好電的蓄電池 **11** 從後面推入電動工具的底座。要將蓄電池完全地裝入底座中，必須推壓至無法看見紅色的條紋，並且確定蓄電池已經牢牢地卡住為止。

設定操作模式

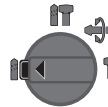
使用沖擊 / 轉動停止開關 **13** 設定電動工具的操作功能。

指示：務必先關閉電動工具，然後才可以改變操作功能！否則會損壞電動工具。

- 變換操作功能時必須先按下解鎖按鍵 **12**，接著再把沖擊 / 轉動停止開關 **13** 擰轉到需要的功能上，轉換功能時必須能夠聽見開關 銜合的聲音。



在混凝土或石材上進行 **震動鑽** 時的設定方式



在木材、金屬、陶材和塑料上進行無震動功能的 **正常鑽** 以及擰轉螺絲時的設定位置



Vario-Lock，改變鑿頭的開關位置

在這個位置沖擊 / 轉動停止開關 **13** 不會銜合。



進行 **鑿削** 時的開關位置

改變轉向

使用正逆轉開關 **8** 可以改變機器的轉向。如果按住了起停開關 **10**，則無法改變轉向。

正轉：將正逆轉開關 **8** 往 ◀ 位置推到底。

逆轉：將正逆轉開關 **8** 往 ▶ 位置推到底。

進行震動鑽、正常鑽和鑿削時，都必須把轉向設定為正轉。

開動 / 關閉

為了節約能源，只在當您要使用機器時，才開動電動工具。

- 按下起停開關 **10**，可以 **開動** 電動工具。

第一次開動電動工具時，可能發生延緩起動的現象，因為此時電動工具的電子配件必須先進行調配。

- **放開** 起停開關 **10** 便可以關閉機器。

調整轉速 / 沖擊次數

隨著在起停開關 **10** 上施壓大小，可以無級式地提高或降低轉速 / 沖擊次數。

輕按起停開關 **10**，機器以低轉速 / 沖擊次數運作。增強施加在起停開關上的壓力，可以提高機器的轉速 / 沖擊次數。

28 | 中文

電子精密控制功能 (Electronic Precision Control) (參考插圖 L)

電子精密控制功能提供額外的支援，當您在脆弱材料上進行衝擊加工時，可讓機器延緩全速啟動的時間並以較低轉數運轉。

- 請將電子精控開關 **30** 推移至所需位置。



最高加工轉數的設定位置



延緩全速啟動的時間並以較低轉數運轉的設定位置

過載離合器

- ▶ 如果工具卡住了，傳往主軸的動力會中斷。此時會產生非常大的震動力。因此操作機器時務必要用雙手握緊機器，並且要確保立足穩固。
- ▶ 如果電動工具卡住了，先關閉電動工具，再取出工具。開動工具被卡住的電動工具，會產生很高的反應力矩。

快關功能 (Kickback Control)

快關功能 (Kickback Control) 可讓您更容易掌控電動工具。電動工具的鑽孔轉軸只要一有非預期性的突發旋轉動作，將立即停機。

- 此時若想繼續操作，則須先將作動開關關閉後再重新按壓。

電動工具上的工作燈 **14** 閃爍即代表快關功能啟用。

- ▶ 電動工具必須以最大加工轉數運行且其鑽孔轉軸可自由轉動，在這兩個前提下才能觸發快關功能。

溫度監控指示燈

當蓄電池或電動工具的電子配件 (已經裝上蓄電池) 的溫度位在許可的溫度範圍之外時，紅色的溫度監控指示燈 **19** 便會發出信號。此時電動工具無法以最大功率工作。

蓄電池的溫度監控：

- 把蓄電池裝入充電器中之后，紅色指示燈 **19** 持續亮著：蓄電池的溫度在充電許可溫度範圍 (攝氏 0 到攝氏 45 度) 之外，此時無法充電。
- 按壓按鈕 **21** 或電源開關 **10** (在已裝入充電電池的狀態下)，紅色 LED 燈 **19** 若閃爍，代表：充電電池已超出規定的操作溫度範圍。
- 如果蓄電池的溫度超過攝氏 70 度，電動工具會自動關閉。待蓄電池回復到合適的溫度範圍後，機器才會繼續運作。

電動工具的電子溫控功能：

- 按下起停開關 **10** 之后，紅色指示燈 **19** 持續亮著：電動工具的電子裝備的溫度低於攝氏 5 度或高過攝氏 75 度。

- 當溫度超過攝氏 90 度時，電動工具的電子配件會自動關閉。待溫度恢復到許可的溫度範圍後才會正常運作。

有關操作方式的指點**調整鑽深 (參考插圖 M)**

使用深度尺 **17** 可以設定需要的鑽深 **X**。

- 按下調整深度尺的按鍵 **15**，再把深度尺裝入輔助手柄 **16** 中。
深度尺 **17** 上的肋紋必須朝下。
- 把 SDS-plus (四坑系統) 工具插入 SDS-plus (四坑系統) 接頭 **3** 中，並把工具推到底。如果未安裝好工具，會影響設定深度的準確性。
- 適當調整深度尺，從鑽咀尖端到深度尺尖端的距離必須和需要的鑽深 **X** 一致。

改變鑿頭位置 (Vario-Lock)

鑿頭有 36 個不同的鎖定位置。如此可確保最佳的工作姿勢。

- 把鑿頭裝入工具夾頭中。
- 把沖擊 / 轉動停止開關 **13** 擰轉到 "Vario-Lock" 的設定位置上 (參考 "設定操作模式"，第 27 頁)。
- 把鑿頭旋轉到需要的工作位置上。
- 把沖擊 / 轉動停止開關 **13** 擰轉到 "鑿削" 功能的位置上。此時工具會自動被鎖定。
- 進行鑿削時必須把轉向設定為正轉。

安裝螺絲批嘴 (參考插圖 N)

- ▶ 先關閉電動工具，然后再把工具放置在螺母 / 螺絲上。安裝在接頭上的工具如果仍繼續轉動，容易從螺絲頭上滑開。

使用螺絲批嘴時必須在機器上安裝有 SDS-plus (四坑系統) 接頭柄的通用連桿 **31**。

- 清潔接頭柄的末端並在接頭柄末端塗抹少許油脂。
- 把通用連桿擰入工具接頭中，並讓連桿自動鎖定。
- 抽拉連桿，檢查連桿是否已經正確鎖牢。
- 把螺絲批嘴插入通用連桿中。必須使用與螺絲頭大小相符的螺絲批嘴。
- 拆卸通用連桿時必須先向後抽拉鎖定套筒 **5**，接著便可以從工具接頭上取出通用連桿 **31**。

減震裝置

內建的減震系統，能夠減輕工作時產生的震動。機器的軟柄具備了止滑的效果因此能夠提高持機的穩定性，更能夠確保使用者靈活地操作電動工具。

如何正確地使用蓄電池

保護蓄電池，避免濕氣和水分滲入。

蓄電池必須儲存在攝氏 - 20 到 50 度的環境中。夏天不可以把蓄電池擱置在汽車中。

不定時地使用柔軟、清潔而且乾燥的毛刷清潔蓄電池的通氣孔。

充電後如果蓄電池的使用時間明顯縮短，代表蓄電池已經損壞，必須更換新的蓄電池。

請注意有關作廢處理的規定。

維修和服務

維修和清潔

- ▶ 在電動工具上進行任何維護的工作（例如維修，更換工具等等），以及搬運、保存電動工具之前都必須從機器中取出蓄電池。不小心開動了起停開關可能造成傷害。
 - ▶ 電動工具和通風間隙都必須保持清潔，這樣才能夠提高工作品質和安全性。
 - ▶ 如果防塵蓋壞損了必須馬上更換。最好委托本公司的顧客服務處換裝。
- 每次操作完畢後，都得清潔工具接頭 3。

顧客服務處和顧客諮詢中心

本公司顧客服務處負責回答有關本公司產品的修理、維護和備件的問題。以下的網頁中有爆炸圖和備件的資料：

www.bosch-pt.com

博世顧客諮詢團隊非常樂意為您解答有關本公司產品及附件的問題。

當您需要諮詢或訂購備用零組件時，請務必提供本產品型號銘牌上的 10 位項目編號。

台灣

台灣羅伯特博世股份有限公司

建國北路一段 90 號 6 樓

台北市 10491

電話：(02) 2515 5388

傳真：(02) 2516 1176

www.bosch-pt.com.tw

制造商地址：

Robert Bosch Power Tools GmbH

羅伯特·博世電動工具有限公司

70538 Stuttgart / GERMANY

70538 斯圖加特 / 德國

搬運

隨著機器一起供貨的鋰離子蓄電池必須受危險物品法規範。使用者無須另外使用保護包裝便可以運送該蓄電池。

但是如果將它交由第三者運送（例如：寄空運或委托運輸公司）則要使用特殊的包裝和標示。此時必須向危險物品專家請教有關寄送危險物品的相關事宜。

確定蓄電池的外殼未受損後，才可以寄送蓄電池。粘好未加蓋的觸點並包裝好蓄電池，不可以讓蓄電池在包裝中晃動。

必要時也得注意各國有關的法規。

處理廢棄物



必須以符合環保的方式，回收再利用損壞的電動工具，蓄電池，附件和廢棄的包裝材料。



不可以把電動工具和蓄電池 / 電池丟入一般的家庭垃圾中！

蓄電池 / 一般電池：

鋰離子：

請注意“搬運”段落中的指示，頁 29。

保留修改權。

한국어

안전 수칙

전동공구용 일반 안전수칙

경고 모든 안전수칙과 지시 사항을 상세히 읽고 지켜야 합니다. 다음의 안전수칙과 지시 사항을 준수하지 않으면 화재 위험이 있으며 감전 혹은 중상을 입을 수 있습니다.

앞으로의 참고를 위해 이 안전수칙과 사용 설명서를 잘 보관하십시오.

다음에서 사용되는 “전동공구” 라는 개념은 전원에 연결하여 사용하는 전동 기기 (전선이 있는) 나 배터리를 사용하는 전동 기기 (전선이 없는) 를 의미합니다.

작업장 안전

- ▶ 작업장을 항상 깨끗이 하고 조명을 밝게 하십시오. 작업장 환경이 어수선하거나 어두우면 사고를 초래할 수 있습니다.
- ▶ 가연성 유체, 가스 또는 분진이 있어 폭발 위험이 있는 환경에서 전동공구를 사용하지 마십시오. 전동공구는 분진이나 증기에 점화하는 스파크를 일으킬 수 있습니다.
- ▶ 전동공구를 사용할 때 구경꾼이나 어린이 혹은 다른 사람이 작업장에 접근하지 못하게 하십시오. 다른 사람이 주의를 산만하게 하면 기기에 대한 통제를 잃기 쉽습니다.

전기에 관한 안전

- ▶ 전동공구의 전원 플러그가 전원 콘센트에 잘 맞아야 합니다. 플러그를 조금이라도 변경시켜서는 안됩니다. 집지된 전동공구를 사용할 때 어댑터 플러그를 사용하지 마십시오. 변형되지 않은 플러그와 잘 맞는 콘센트를 사용하면 감전의 위험을 감소할 수 있습니다.

30 | 한국어

- ▶ **파이프 관, 라디에이터, 레인지, 냉장고와 같은 접지 표면에 몸이 닿지 않도록 하십시오.** 몸에 닿을 경우 감전될 위험이 높습니다.
- ▶ **전동공구를 비에 맞지 않게 하고 습기 있는 곳에 두지 마십시오.** 전동공구에 물이 들어가면 감전될 위험이 높습니다.
- ▶ **전원 코드를 잡고 전동공구를 운반하거나 걸어 놓아서는 안되며, 콘센트에서 전원 플러그를 뽑을 때 전원 코드를 잡아 당겨서는 절대로 안됩니다.** 전원 코드가 열과 오일에 접촉하는 것을 피하고, 날카로운 모서리나 기기의 가동 부위에 닿지 않도록 주의하십시오. 손상되거나 영긴 전원 코드는 감전을 유발할 수 있습니다.
- ▶ **실외에서 전동공구로 작업할 때는 실외용으로 적당한 연장 전원 코드만을 사용하십시오.** 실외용 연장 전원 코드를 사용하면 감전의 위험을 줄일 수 있습니다.
- ▶ **전동공구를 습기 찬 곳에서 사용해야 할 경우에는 누전 차단기를 사용하십시오.** 누전 차단기를 사용하면 감전 위험을 줄일 수 있습니다.

사용자 안전

- ▶ **신중하게 작업하십시오.** 작업을 할 때 주의를 하며, 전동공구를 사용할 때 경솔하게 행동하지 마십시오. 피로한 상태이거나 약물 복용 및 음주한 후에는 전동공구를 사용하지 마십시오. 전동공구를 사용할 때 잠시라도 주의를 산만해지면 중상을 입을 수 있습니다.
- ▶ **작업자 안전을 위한 장치를 사용하십시오.** 항상 보안경을 착용하십시오. 전동공구의 종류와 사용에 따라 먼지 보호 마스크, 미끄러지지 않는 안전한 신발, 안전모 또는 귀마개 등의 안전한 복장을 하면 상해의 위험을 줄일 수 있습니다.
- ▶ **실수로 기기가 작동되지 않도록 주의하십시오.** 전동공구를 전원에 연결하거나 배터리를 끼우기 전에, 혹은 기기를 틀거나 운반하기 전에, 전원 스위치가 꺼져 있는지 다시 확인하십시오. 전동공구를 운반할 때 전원 스위치에 손가락을 대거나 전원 스위치가 켜진 상태에서 전원을 연결하면 사고 위험이 높습니다.
- ▶ **전동공구를 사용하기 전에 조절하는 톨이나 나사 키 등을 빼 놓으십시오.** 회전하는 부위에 있는 톨이나 나사 키로 인해 상해를 입을 수 있습니다.
- ▶ **자신을 과신하지 마십시오.** 불안정한 자세를 피하고 항상 평형을 이룬 상태로 작업하십시오. 안정된 자세와 평형한 상태로 작업해야만이 의외의 상황에서 전동공구를 안전하게 사용할 수 있습니다.
- ▶ **알맞은 작업복을 입으십시오.** 헐렁한 복장을 하거나 장신구를 착용하지 마십시오. 머리카락 또는 장갑이 가동하는 기기 부위에 가까이 닿지 않도록 주의하십시오. 헐렁한 복장, 장신구 혹은 긴 머리는 가동 부위에 말려 사고를 초래할 수 있습니다.
- ▶ **분진 추출장치나 수거장치의 조립이 가능한 경우, 이 장치가 연결되어 있는지, 제대로 작동이 되는지 확인하십시오.** 이러한 분진 추출장치를 사용하면 분진으로 인한 사고 위험을 줄일 수 있습니다.

전동공구의 올바른 사용과 취급

- ▶ **기기를 과부하 상태에서 사용하지 마십시오.** 작업할 때 이에 적당한 전동공구를 사용하십시오. 알맞은 전동공구를 사용하면 지정된 성능 한도 내에서 더 효율적으로 안전하게 작업할 수 있습니다.
- ▶ **전원 스위치가 고장 난 전동공구를 사용하지 마십시오.** 전원 스위치가 작동되지 않는 전동공구는 위험하므로, 반드시 수리를 해야 합니다.
- ▶ **기기에 세팅을 하거나 액세서리 부품을 교환하거나 혹은 기기를 보관할 때, 항상 전원 콘센트에서 플러그를 미리 빼어 놓으십시오.** 이러한 조치는 실수로 전동공구가 작동하게 되는 것을 예방합니다.
- ▶ **사용하지 않는 전동공구는 어린이 손이 닿지 않는 곳에 보관하고, 전동공구 사용에 익숙지 않거나 이 사용 설명서를 읽지 않은 사람은 기기를 사용해서는 안 됩니다.** 경험이 없는 사람이 전동공구를 사용하면 위험합니다.
- ▶ **전동공구를 조심스럽게 관리하십시오.** 가동 부위가 하자 없이 정상적인 기능을 하는지, 걸리는 부위가 있는지, 혹은 전동공구의 기능에 중요한 부품이 손상되지 않았는지 확인하십시오. 손상된 기기의 부품은 전동공구를 다시 사용하기 전에 반드시 수리를 맡기십시오. 제대로 관리하지 않은 전동공구의 경우 많은 사고를 유발합니다.
- ▶ **절단 공구를 날카롭고 깨끗하게 관리하십시오.** 날카로운 절단면이 있고 잘 관리된 절단공구는 걸리는 경우가 드물고 조절하기도 쉽습니다.
- ▶ **전동공구, 액세서리, 장착하는 공구 등을 사용할 때, 이 지시 사항과 특별한 기종 별로 나와있는 사용 방법을 준수하십시오.** 이때 작업 조건과 실시하려는 작업 내용을 고려하십시오. 원래 사용 분야가 아닌 다른 작업에 전동공구를 사용할 경우 위험한 상황을 초래할 수 있습니다.

충전 전동공구의 올바른 사용과 취급

- ▶ **배터리를 충전할 때 제조 회사가 추천하는 충전기만을 사용하여 재충전해야 합니다.** 특정 제품의 배터리를 위하여 제조된 충전기에 적합하지 않은 다른 배터리를 충전할 경우 화재 위험이 있습니다.
- ▶ **각 전동공구용으로 나와있는 배터리만을 사용하십시오.** 다른 종류의 배터리를 사용하면 상해를 입거나 화재를 초래할 수 있습니다.
- ▶ **배터리를 사용하지 않을 때는, 각 극 사이에 브리징 상태가 생길 수 있으므로 페이퍼 클립, 동전, 열쇠, 못, 나사 등 유사한 금속성 물체와 멀리하여 보관하십시오.** 배터리 극 사이에 쇼트가 일어나 화상을 입거나 화재를 야기할 수 있습니다.
- ▶ **배터리를 잘못 사용하면 누수가 생길 수 있습니다.** 누수가 생긴 배터리에 닿지 않도록 하십시오. 피부에 접하게 되었을 경우 즉시 물로 씻으십시오. 유체가 눈에 닿았을 경우 바로 의사와 상담하십시오. 배터리에서 나오는 유체는 피부에 자극을 주거나 화상을 입힐 수 있습니다.

서비스

- ▶ **전동공구 수리는 반드시 전문 인력에게 맡기고, 수리 정비 시 보쉬 순정 부품만을 사용하십시오.** 그렇게 함으로써 기기의 안전성을 오래 유지할 수 있습니다.

해머용 안전 수칙

- ▶ **귀마개를 착용하십시오.** 소음의 영향으로 인해 청각을 상실할 수 있습니다.
- ▶ **보호 손잡이가 전동공구와 함께 공급되는 경우 이를 사용하십시오.** 통제를 잃게 되면 상해를 입을 수 있습니다.
- ▶ **작업할 때 톱날로 보이지 않는 전선에 닿을 위험이 있으면 전동공구의 절연된 손잡이 면을 잡으십시오.** 톱날이 전류가 흐르는 전선에 접하게 되면 기기의 금속 부위에 전기가 통해 감전될 위험이 있습니다.
- ▶ **보이지 않는 부위에 에너지 배선 및 배관여부를 확인하려면 적당한 탐지기를 사용하거나 담당 에너지 공급회사에 문의하십시오.** 전선에 접촉하게 되면 화재나 전기 충격을 유발할 수 있습니다. 가스관을 손상시키면 폭발 위험이 있으며 수도관을 파손하게 되면 재산 피해를 야기할 수 있습니다.
- ▶ **전동공구를 두 손으로 꼭 잡고 안전한 자세로 작업하십시오.** 전동공구는 두 손으로 사용하면 더 안전합니다.
- ▶ **작업물을 잘 고정하십시오.** 고정장치나 기계 바이스에 끼워진 작업하면 손으로 잡는 것보다 더 안전합니다.
- ▶ **전동공구를 내려놓기 전에 기기가 완전히 멈추는지를 확인하십시오.** 벨트가 걸려 전동공구에 대한 통제가 어려워질 수 있습니다.
- ▶ **배터리를 분해하지 마십시오.** 단락이 발생할 위험이 있습니다.



배터리를 태양 광선 등 고열에 장시간 노출되지 않도록 하고 불과 물, 수분이 있는 곳에 두지 마십시오. 폭발할 위험이 있습니다.

- ▶ **배터리가 손상되었거나 잘못 사용될 경우 증기가 발생할 수 있습니다.** 작업장을 환기시키고, 필요한 경우 의사와 상담하십시오. 증기로 인해 호흡기가 자극될 수 있습니다.
- ▶ **배터리를 보쉬 전동공구와 함께 사용해야 합니다.** 그렇게 해야만 배터리를 위험한 과부하로부터 보호할 수 있습니다.
- ▶ **뿔이나 스크류 드라이버 같은 뾰족한 물체 또는 외부에서 오는 충격 등으로 인해 배터리가 손상될 수 있습니다.** 내부 단락이 발생하여 배터리가 타거나 연기가 발생하고, 폭발 또는 과열될 수 있습니다.

제품 및 성능 소개



모든 안전수칙과 지시 사항을 상세히 읽고 지켜야 합니다. 다음의 안전수칙과 지시 사항을 준수하지 않으면 화재 위험이 있으며 감전 혹은 중상을 입을 수 있습니다.

규정에 따른 사용

본 전동공구는 콘크리트, 벽돌, 석재 등에 해머 드릴 작업을 하거나 간단한 치질작업을 하는데 적합합니다. 또한 목재, 금속, 세라믹 그리고 플라스틱에 충격을 가하지 않는 드릴작업을 하는데도 적합합니다. 전자 제어 장치와 좌우 회전 기능이 있는 전동공구는 또한 스크류 작업을 하는데도 사용이 가능합니다.

제품의 주요 명칭

제품의 주요 명칭에 표기되어 있는 번호는 기기 그림이 나와있는 면을 참고하십시오.

- 1 순간 교환 키레스 척 (GBH 36 VF- LI Plus)
- 2 SDS- plus 키레스 척 (GBH 36 VF- LI Plus)
- 3 SDS- plus 톱 홀더
- 4 먼지 보호 캡
- 5 잠금 슬라이브
- 6 키레스 척 잠금 링 (GBH 36 VF- LI Plus)
- 7 진동 감소장치
- 8 회전방향 선택 스위치
- 9 손잡이 (절연된 손잡이 부위)
- 10 전원 스위치
- 11 배터리*
- 12 모드 선택 스위치 해제 버튼
- 13 모드 선택 스위치
- 14 작업 램프
- 15 깊이 조절자 조절용 버튼
- 16 보조 손잡이 (절연된 손잡이 부위)
- 17 깊이 조절자
- 18 배터리 해제 버튼
- 19 온도 제어 표시기
- 20 배터리 충전 상태 표시기
- 21 충전 상태 표시기용 버튼
- 22 키 타입 척 안전 나사 (GBH 36 V- LI Plus) *
- 23 키 타입 척 (GBH 36 V- LI Plus) *
- 24 드릴 적용 SDS- plus 어댑터 축 (GBH 36 V- LI Plus) *
- 25 드릴 척 홀더 (GBH 36 VF- LI Plus)
- 26 식별 홈
- 27 드릴 척 키 (GBH 36 V- LI Plus)
- 28 순간 교환 키레스 척 앞쪽 슬라이브 (GBH 36 VF- LI Plus)
- 29 순간 교환 키레스 척 홀딩 링 (GBH 36 VF- LI Plus)

32 | 한국어

- 30 EPC (Electronic Precision Control) 스위치
- 31 SDS-plus 어댑터 축이 있는 유니버설 홀더*

*도면이나 설명서에 나와있는 액세서리는 표준 공급부품에 속하지 않습니다. 전체 액세서리는 저희 액세서리 프로그램을 참고하십시오.

제품 사양

헤머 드릴		GBH 36 V-LI Plus	GBH 36 VF-LI Plus
제품 번호		3 611 J06 0..	3 611 J07 0..
속도 제어		●	●
회전 정지		●	●
역회전 기능		●	●
키레스 척		-	●
정격 전압	V=	36	36
소비 전력	W	600	600
타격률	min ⁻¹	0-4200	0-4200
EPTA-Procedure 05/2009 에 따른 스트로크당 충격 에너지	J	3.2	3.2
정격 속도			
- 우회전	rpm	0-940	0-940
- 좌회전	rpm	0-930	0-930
틀 홀더		SDS-plus	SDS-plus
스핀들 넥 직경	mm	50	50
드릴 직경, 최대:			
- 콘크리트	mm	28	28
- 벽돌 (드릴 코어 사용)	mm	82	82
- 철재	mm	13	13
- 목재	mm	30	30
EPTA 공정 01:2014 에 따른 중량	kg	4.0/4.5 ¹⁾	4.1/4.6 ¹⁾
허용되는 주변 온도			
- 충전 시	°C	0...+45	0...+45
- 작동 시 ²⁾ 및 보관 시	°C	- 20...+50	- 20...+50
권장 배터리		GBA 36V ...	GBA 36V ...
권장하는 충전기		AL36..	AL36..
		GAL 36..	GAL 36..

1) 사용하는 배터리에 따라 상이
 2) 온도가 0 °C 보다 낮은 경우 성능 제한 있음
 기계 사양은 함께 공급되는 배터리를 사용한 경우입니다.

조립

배터리 충전하기 (그림 A 참조)

▶ 액세서리 목록에 기재되어 있는 충전기만을 사용하십시오. 이 충전기만이 귀하의 전동공구에 사용된 리튬이온 배터리에 맞게 되어 있습니다.

참고: 배터리는 일부 충전되어 공급됩니다. 배터리의 성능을 완전하게 보장하기 위해서는 처음 사용하기 전에 배터리를 완전히 충전기에 충전하십시오.

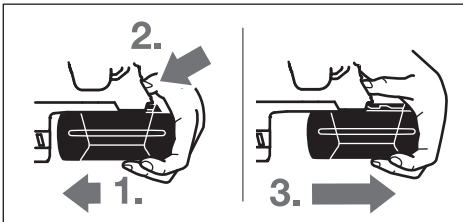
리튬이온 배터리는 항상 충전할 수 있으며, 이로 인해 수명이 단축되지 않습니다. 충전을 하다 중간에 중지해도 배터리가 손상되지 않습니다.

리튬이온 배터리는 전자 셀 보호 "Electronic Cell Protection (ECP)" 기능이 있어 과도한 방전이 되지 않습니다. 배터리가 방전되면 안전 스위치가 작동하여 전동공구가 꺼지고 비트가 더 이상 움직이지 않습니다.

▶ 전동공구가 자동으로 작동이 중단된 경우 전원 스위치를 더 계속 누르지 마십시오. 이로 인해 배터리가 손상될 수 있습니다.

배터리 탈착하기

배터리 11은 배터리 해제 버튼 18이 실수로 눌러져 배터리가 빠지는 것을 방지하기 위해 잠금장치가 이종으로 되어 있습니다. 전동공구에 배터리가 끼워져 있는 동안 이는 스프링으로 제 위치에 고정됩니다.



배터리 11을 빼려면:

- 배터리를 전동공구 베이스 쪽으로 누르면서 (1.) 동시에 해제 버튼 18을 누릅니다 (2.).
- 배터리를 빨간 선이 보일 때까지 전동공구에서 당겨 뺍니다 (3.).
- 해제 버튼 18을 다시 누르면서 배터리를 완전히 빼냅니다.

배터리 충전 상태 표시기

배터리 충전 상태 표시기 20에 있는 세 개의 녹색 LED는 배터리 11의 충전 상태를 표시합니다. 안전을 위하여 충전 상태의 확인은 전동공구가 중지된 상태에서만 가능합니다.

- 충전 상태를 확인해 보려면 버튼 21을 누르면 됩니다 (배터리가 기기에서 빠진 상태에서도 가능). 약 5초 후에 충전 상태 표시기가 자동으로 꺼집니다.

LED	용량
연속등 3 x 녹색	≥2/3
연속등 2 x 녹색	≥1/3
연속등 1 x 녹색	<1/3
점멸등 1 x 녹색	예비

버튼 21을 눌렀는데도 LED가 켜지지 않으면 배터리가 손상된 것이므로 교환해 주어야 합니다.

충전 과정 중에는 세 개의 녹색 LED가 차례로 켜졌다가 잠깐 꺼집니다. 세 개의 LED가 계속 켜져 있으면 배터리가 완전히 충전된 것입니다. 배터리가 완전히 충전된 후 5분이 지나면 세 개의 녹색 LED가 다시 꺼집니다.

보조 손잡이

- ▶ 반드시 보조 손잡이 16을 장착하여 전동공구를 사용하십시오.

보조 손잡이 조절하기 (그림 B 참조)

보조 손잡이 16은 안전하고 피로가 적은 자세로 작업할 수 있도록 모든 위치로 움직여 조절할 수 있습니다.

- 보조 손잡이 16의 아래 쪽을 시계 반대 방향으로 돌리고 보조 손잡이 16을 원하는 위치로 돌립니다. 그리고 나서 보조 손잡이 16의 아래 쪽을 시계 방향으로 다시 돌려 조입니다.

이때 보조 손잡이의 고정 밴드가 하우징에 있는 홈에 제대로 끼여 있는지 확인해야 합니다.

드릴 척과 비트 선택하기

해머 드릴작업이나 치즐작업을 하려면 기기의 SDS-plus 드릴 척에 삽입되는 SDS-plus 비트를 사용해야 합니다.

목재, 금속, 세라믹 그리고 플라스틱에 타격없이 드릴 작업을 하거나 스크류작업을 하려면 SDS-plus가 아닌 비트를 사용해야 합니다 (예를 들면 실린더 축이 있는 드릴 비트). 이러한 비트를 사용할 경우 순간 교환 키레스 척이나 키 타입 척이 필요합니다.

키 타입 척 삽입 / 분리하기 (GBH 36 V- LI Plus)

SDS-plus가 아닌 비트 (예를 들면 실린더 샤프트가 있는 드릴 비트)로 작업하려면, 적당한 드릴 척을 조절해서 사용해야 합니다 (키 타입 척이나 순간 교환 키레스 척, 별매 액세서리).

키 타입 척 조립하기 (그림 C 참조)

- SDS-plus 어댑터 축 24를 키 타입 척 23 안으로 돌려 끼웁니다. 키 타입 척 23에 안전 나사 22를 끼워 안전하게 합니다. 이때 안전 나사가 원나사라는 것에 주의하십시오.

키 타입 척 장착하기 (그림 C 참조)

- 어댑터 축의 끼워지는 부분을 깨끗이 닦고 약간 그리스를 바릅니다.
- 어댑터 축이 있는 키 타입 척이 자동으로 잠길 때까지 돌출된 축이 안으로 돌리면서 끼웁니다.
- 키 타입 척을 당겨보아 제대로 잠겼는지 확인해 보십시오.

키 타입 척 탈착하기

- 잠금 슬리브 5를 뒤로 당긴 상태에서 키 타입 척 23을 뺍니다.

키레스 척 탈착하기 / 장착하기 (GBH 36 VF- LI Plus)

SDS-plus 키레스 척 2는 함께 공급되는 순간 교환 키레스 척 1로 쉽게 교환할 수 있습니다.

키레스 척 탈착하기 (그림 D 참조)

- 키레스 척 잠금 링 6을 뒤로 당기고, 이 위치를 유지한 상태에서 SDS-plus 키레스 척 2나 순간 교환 키레스 척 1을 앞으로 잡아 뺍니다.
- 키레스 척을 탈착한 후 더러워지지 않도록 하십시오.

키레스 척 장착하기 (그림 E 참조)

- ▶ 반드시 기기 모델 고유의 순정품만을 사용하고 이때 식별 홀 26의 개수를 확인해 보십시오. 식별 홀이 두개 내지 세개가 있는 키레스 척만을 사용해야 합니다. 이 전동공구에 적합하지 않은 키레스 척을 사용하면 작동 중에 비트가 빠져나올 수 있습니다.

- 키레스 척을 끼우기 전에 깨끗이 닦고 끼워지는 부분에 약간 그리스를 바릅니다.
- SDS-plus 키레스 척 2나 순간 교환 키레스 척 1을 손 전체로 잡고, 키레스 척을 확실하게 잠기는 소리가

34 | 한국어

날 때까지 드릴 척 홀더 25에 돌리면서 밀어 끼웁니다.

- 키레스 척은 자동으로 잠깁니다. 키레스 척을 당겨보아 제대로 잠겼는지 확인해 보십시오.

액세서리의 교환

먼지 막이 캡 4는 드릴작업 시 발생하는 먼지가 스며드는 것을 거의 방지합니다. 비트를 끼울 때 먼지 막이 캡 4가 손상되지 않도록 주의하십시오.

▶ **손상된 먼지 막이 캡은 즉시 교환해야 합니다. 서비스 센터에 의뢰하여 교환하도록 하는 것이 좋습니다.**

액세서리의 교환 (SDS-plus)**SDS-plus 삽입 비트 장착하기 (그림 F 참조)**

SDS-plus 드릴 척을 사용하면 별도의 공구를 사용하지 않고도 간단하고 쉽게 비트를 교환할 수 있습니다.

- GBH 36 VF-LI Plus: SDS-plus 키레스 척 2를 끼웁니다.
- 끼우려는 비트의 끝 부분을 깨끗이 닦고 그리스를 바릅니다.
- 비트가 저절로 잠길 때까지 툴 홀더에 돌리면서 끼웁니다.
- 비트를 잡아당겨 보아 제대로 끼워졌는지 확인해 보십시오.

SDS-plus 비트는 시스템상 충분히 움직이게 되어 있습니다. 그래서 공전 상태에서 편심 현상이 생기지만 드릴작업 시에는 다시 저절로 중심을 잡습니다. 이는 작업의 정확성에 어떠한 영향도 미치지 않습니다.

SDS-plus 삽입 비트 탈착하기 (그림 G 참조)

- 잠금 슬리브 5를 뒤로 당긴 상태에서 비트를 뽑니다.

액세서리의 교환 (SDS-plus 미장착) (GBH 36 V-LI Plus)**비트 장착하기 (그림 H 참조)**

참고: 해머 드릴작업이나 치출작업을 할 때 SDS-plus가 아닌 비트를 사용하지 마십시오! SDS-plus가 아닌 비트와 그 드릴 척이 해머 드릴작업과 치출작업으로 인해 손상됩니다.

- 키 타입 척 23을 끼웁니다 (“키 타입 척 삽입/분리하기” 참조, 33 쪽).
- 키 타입 척 23을 비트가 끼워질 수 있을 정도 까지 돌려 열어 준 다음에 비트를 끼웁니다.
- 드릴 척 키를 키 타입 척 23의 각 구멍에 끼우고 비트를 고루 조입니다.
- 모드 선택 스위치 13을 “드릴작업” 위치로 돌립니다.

비트 탈착하기 (그림 I 참조)

- 드릴 척 키를 사용하여 키 타입 척 23의 슬리브를 비트가 빠질 때까지 시계 반대 방향으로 돌립니다.

액세서리의 교환 (SDS-plus 미장착) (GBH 36 VF-LI Plus)**비트 장착하기 (그림 J 참조)**

참고: 해머 드릴작업이나 치출작업을 할 때 SDS-plus가 아닌 비트를 사용하지 마십시오! SDS-plus가 아닌 비트와 그 드릴 척이 해머 드릴작업과 치출작업으로 인해 손상됩니다.

- 순간 교환 키레스 척 1을 끼웁니다.
- 순간 교환 키레스 척의 홀딩 링 29을 꼭 잡습니다. 앞쪽 슬리브 28을 돌려 비트가 끼워질 정도까지 툴 홀더를 엽니다. 홀딩 링 29를 꼭 잡은 상태로, 앞쪽 슬리브 28을 철컹하고 걸리는 소리가 날 때까지 화살표 방향으로 돌립니다.
- 비트를 당겨보아 제대로 끼워졌는지 확인해 보십시오.

참고: 툴 홀더를 끝까지 열었다가 다시 잠금 경우, 기능상 걸리는 소리가 나지만 툴 홀더가 제대로 잠기지 않을 수 있습니다.

이러한 경우 앞쪽 슬리브 28을 화살표 반대 방향으로 한번 돌렸다가 다시 잠그면 툴 홀더가 잠길 것입니다.

- 모드 선택 스위치 13을 “드릴작업” 위치로 돌립니다.

비트 탈착하기 (그림 K 참조)

- 순간 교환 키레스 척의 홀딩 링 29을 꼭 잡습니다. 앞쪽 슬리브 28을 비트가 빠질 때까지 화살표 방향으로 돌립니다.

GDE 16 Plus가 포함된 분진 추출장치 (별매 액세서리)

▶ 납 성분을 포함한 페인트나 몇몇 나무 종류, 또는 광물 성분 그리고 철과 같은 재료의 분진은 건강을 해칠 수 있습니다. 이 분진을 만지거나 호흡할 경우, 사용자나 주변 사람들은 알레르기 반응이나 호흡기 장애를 일으킬 수 있습니다.

떡갈나무나 너도밤나무와 같은 특정한 분진은 암을 유발시키며, 특히 목재 처리용으로 사용되는 부가 원료 (크로마트, 목재 보호제)와 혼합되면 암을 유발 시키게 됩니다. 석면 성분을 포함한 재료는 오직 전문가가 작업을 해야 합니다.

- 가능하면 작업을 소재에 적당한 분진 추출장치를 사용하십시오.
- 작업장의 통풍이 잘 되도록 하십시오.
- 필터등급 P2가 장착된 호흡 마스크를 사용하십시오.

작업용 재료에 관해 국가가 지정한 규정을 고려 하십시오.

▶ **작업장에 분진이 쌓이지 않도록 하십시오.** 분진이 쉽게 발화할 수 있습니다.

분진 추출을 위해 GDE 16 Plus (별매 액세서리)가 필요합니다.

진공 청소기는 작업하는 소재에 적당한 것이어야 합니다.

특히 건강에 유해한 발암성 혹은 건조한 분진을 처리해야 할 경우에는 특수한 청소기를 사용해야 합니다.

작동

기계 시동

배터리 장착하기

- 전동공구가 실수로 켜지는 것을 방지하기 위해 회전 방향 선택 스위치 **8** 을 가운데 위치로 두십시오.
- 충전된 배터리 **11** 을 전동공구의 뒤에서부터 베이스 안쪽으로 밀어 넣으십시오. 적색 선이 더 이상 보이지 않고 배터리가 확실히 고정될 때까지 배터리를 베이스 안쪽으로 완전히 눌러 끼우십시오.

작동 모드 설정하기

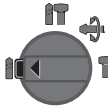
모드 선택 스위치 **13** 으로 전동공구의 작동 모드를 선택할 수 있습니다.

참고: 전동공구 스위치가 꺼진 상태에서만 작동 모드를 변경하십시오! 그렇지 않으면 전동공구가 손상될 수 있습니다.

- 작동 모드를 변경하려면 해제 버튼 **12** 를 누른 상태에서 모드 선택 스위치 **13** 을 원하는 위치로 분명히 걸리는 소리가 날 때까지 돌립니다.



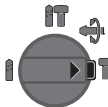
콘크리트나 석재에 **해머 드릴** 작업을 할 때 위치



목재, 금속, 세라믹 그리고 플라스틱에 **드릴** 작업을 하거나 스크류작업을 할 때 위치




치출 위치를 변경하기 위한 **Vario-Lock** 위치
이 위치에서는 모드 선택 스위치 **13** 이 걸리지 않음.




치출작업을 할 때 위치

회전방향 설정하기

회전방향 선택 스위치 **8** 로 기기의 회전 방향을 선택할 수 있습니다. 그러나 전원 스위치 **10** 이 눌러진 상태에서는 작동이 불가능합니다.

우회전: 회전방향 선택 스위치 **8** 을 스톱 위치  까지 미십시오.

좌회전: 회전방향 선택 스위치 **8** 을 스톱 위치  까지 미십시오.

해머 드릴작업, 드릴작업 혹은 치출작업을 하려면 회전 방향이 반드시 우회전에 있어야 합니다.

전원 스위치 작동

에너지를 절약하기 위해 전동공구를 사용할 경우에만 스위치를 켜십시오.

- 전동공구의 **스위치를 켜려면** 전원 스위치 **10** 을 누릅니다.

전동공구의 스위치를 맨 처음으로 켤 때 전동공구의 전자 시스템이 구성되어야 하므로 시동이 지연될 수 있습니다.

- 기기의 **스위치를 끄려면** 전원 스위치 **10** 을 놓으면 됩니다.

속도 / 타격을 조절하기

전원 스위치 **10** 에 가하는 힘의 강약에 따라 작동 중에도 전동공구의 속도 / 타격률을 무단으로 조절할 수 있습니다.

전원 스위치 **10** 을 살짝 누르면 낮은 속도 / 타격률로 작동합니다. 좀 더 세게 누르면 속도 / 타격률이 증가합니다.

EPC(Electronic Precision Control)

(그림 L 참조)

민감한 소재에 타격 작업을 할 때 EPC 를 통해 서서히 작동회전속도를 줄일 수 있습니다.

- EPC 스위치 **30** 을 원하는 위치로 미십시오.



최고 작동 회전속도에 해당하는 위치



서서히 작동 회전속도를 줄이는 위치

과부하 클러치

▶ **드릴 비트가 끼였거나 박힌 경우 드릴 스피ن들의 작동이 중단됩니다.** 이때 생기는 충격에 대비해서 전동공구를 두 손으로 꼭 잡고 안전한 자세로 작업해야 합니다.

▶ **전동공구의 작동이 중단되면 스위치를 끄고 드릴 비트를 뺍니다.** 드릴 비트가 꽂힌 상태에서 스위치를 켜면 강한 반동력이 생길 수 있습니다.

급속 정지 (Kickback Control)

급속 정지 기능 (Kickback Control) 을 통해 전동공구를 더욱 쉽게 통제할 수 있습니다. 예상치 못한 상황에서 전동공구가 드릴축 주위를 회전하는 경우 전동공구가 자체적으로 스위치를 차단합니다.

- **재가동**하려면 전원 스위치에서 손을 떼고 다시 한번 누릅니다.

급속 정지는 전동공구에 작업 램프 **14** 가 깜박이면서 표시됩니다.

▶ **급속 정지 기능은 전동공구의 작동 회전속도가 최고일 때 드릴축 주위를 자유롭게 회전할 수 있는 경우에만 작동됩니다.**

36 | 한국어

온도 제어 표시기

온도 제어 표시기 **19**의 적색 LED는 배터리나 전동공구의 전자 부위 (배터리가 끼워진 상태에서)가 정상적인 온도 범위에 있지 않다는 것을 나타냅니다. 이러한 경우 전동공구가 제대로 작동하지 않거나 완전한 성능을 보이지 못합니다.

배터리의 온도 제어:

- 배터리를 충전기에 끼웠을 때 적색 LED **19**가 계속 켜져 있을 경우: 배터리가 충전 온도 범위인 0 °C에서 45 °C 밖에 있으므로 충전할 수 없습니다.
- 버튼 **21** 또는 전원 스위치 **10**을 누를 때 적색 LED **19**가 깜박이는 경우 (배터리가 장착된 경우): 배터리가 허용되는 작동 온도 범위를 벗어났습니다.
- 배터리 온도가 70 °C 이상이 되면 배터리가 적당한 온도 범위가 될 때까지 전동공구가 꺼집니다.

전동공구 전자 부위의 온도 제어:

- 적색 LED **19**가 전원 스위치 **10**을 눌렀을 때 계속 켜져 있을 경우: 전동공구의 전자 부위 온도가 5 °C 이하이거나 75 °C 이상입니다.
- 온도가 90 °C 이상인 경우 전동공구 전자 부위의 온도가 다시 허용 운전 온도 범위가 될 때까지 꺼집니다.

사용방법**천공 깊이 조절하기 (그림 M 참조)**

원하는 천공 깊이 **X**는 깊이 조절자 **17**로 조절할 수 있습니다.

- 깊이 조절자 조절용 버튼 **15**를 누르고 깊이 조절자를 보조 손잡이 **16**안으로 밀어 넣습니다.
- 깊이 조절자 **17**의 우물두툼한 표면이 아래로 향하도록 해야 합니다.
- SDS-plus 비트를 SDS-plus 툴 홀더 **3**의 끝까지 밀어 넣습니다. SDS-plus 비트가 움직이게 되면 천공 깊이를 정확하게 세팅할 수 없게 됩니다.
- 드릴 비트의 끝과 깊이 조절자의 끝 부위의 간격이 원하는 천공 깊이 **X**가 될 때까지 깊이 조절자를 잡아 당깁니다.

치즐 위치 바꾸기 (Vario-Lock)

치즐을 36 가지의 다양한 위치로 고정할 수 있어 각 작업 시 적당한 위치를 선택할 수 있습니다.

- 치즐을 툴 홀더에 끼웁니다.
- 모드 선택 스위치 **13**을 “Vario-Lock” 위치로 돌립니다 (“작동 모드 설정하기” 참조, 35 페이지).
- 원하는 치즐 위치로 삼입 비트를 돌리십시오.
- 모드 선택 스위치 **13**을 “치즐작업” 위치로 돌립니다. 툴 홀더는 이와 함께 잠기게 됩니다.
- 치즐작업을 하려면 회전방향을 오른쪽으로 맞추십시오.

스크류 드라이버 비트 장착하기 (그림 N 참조)

- ▶ 전동공구의 스위치가 꺼진 상태에서만 나사못에 대십시오. 회전하는 드릴 비트가 미끄러질 수 있습니다.

스크류 드라이버 비트를 사용하려면 SDS-plus 어댑터 축이 있는 유니버설 홀더 **31** (별매 액세서리)이 필요합니다.

- 어댑터 축의 끼워지는 부분을 깨끗이 닦고 약간 그 리스를 바릅니다.
- 유니버설 홀더가 저절로 잠길 때까지 툴 홀더 안으로 돌리면서 끼웁니다.
- 유니버설 홀더를 당겨보아 제대로 잠겼는지 확인하십시오.
- 스크류 드라이버 비트 한 개를 유니버설 홀더에 끼웁니다. 스크류 헤드에 맞는 스크류 드라이버 비트만을 사용하십시오.
- 유니버설 홀더를 빼려면 잠금 슬라이브 **5**를 뒤로 당긴 상태에서 유니버설 홀더 **31**을 툴 홀더에서 빼면 됩니다.

진동 감소장치

진동 감소장치가 있어 작업 중 발생하는 진동을 감소시켜 줍니다.

연질 손잡이는 미끄러지는 것을 방지하며 이로 인해 전동공구가 손에 더 잘 맞고 취급이 수월합니다.

올바른 배터리의 취급 방법

배터리를 습기나 물이 있는 곳에 두지 마십시오.

배터리를 -20°C에서 50°C 온도 범위에서만 저장하십시오. 예를 들면 배터리를 여름에 자동차 안에 두지 마십시오.

가끔 배터리의 통풍구를 부드럽고 깨끗한 마른 솔로 청소하십시오.

충전 후 작동 시간이 현저하게 짧아지면 배터리의 수명이 다한 것이므로 배터리를 교환해야 합니다.

처리에 관련된 지시 사항을 준수하십시오.

보수 정비 및 서비스**보수 정비 및 유지**

- ▶ 전동공구에 각종 작업 (보수 정비 및 액세서리 교환 등)을 하거나 전동공구를 운반하거나 보관할 경우 배터리를 전동공구에서 빼십시오. 실수로 전원 스위치가 작동하게 되면 상해를 입을 위험이 있습니다.
- ▶ 안전하고 올바른 작동을 위하여 전동공구와 전동공구의 통풍구를 항상 깨끗이 하십시오.
- ▶ 손상된 먼지 막이 얇은 즉시 교환해야 합니다. 서비스 센터에 의뢰하여 교환하도록 하는 것이 좋습니다.
- 툴 홀더 **3**을 사용한 후 매번 깨끗이 닦으십시오.

보쉬 AS 및 고객 상담

보쉬는 귀하의 제품 및 수리에 관한 문의를 받고 있습니다.

AS 센터 정보 및 제품에 대한 고객 상담은 하기 고객 콜센터 및 이메일 상담을 이용해주시기 바랍니다.

고객 콜센터 : 080-955-0909

이메일 상담 :

Bosch-pt.hotline@kr.bosch.com

문의나 대체 부품 주문 시에는 반드시 제품 네임 플레이트에 있는 10 자리의 부품번호를 알려 주십시오 .

Bosch Korea, RBKR
Mechanics and Electronics Ltd.
PT/SAX-ASA
298 Bojeong-dong Giheung-gu
Yongin-si, Gyeonggi-do, 446-913
080-955-0909

운반

포함되어 있는 리튬이온 배터리는 위험물 관련 규정을 따라야 합니다 . 사용자가 별도의 요구사항 없이 배터리를 직접 도로 상에서 운반할 수 있습니다 .

제 3 자를 통해 운반할 경우 (항공 운송이나 운송 회사 등) 포장과 표기에 관한 특별한 요구 사항을 준수해야 합니다 . 이 경우 발송 준비를 위해 위험물 전문가와 상담해야 합니다 .

표면이 손상되지 않은 배터리만을 사용하십시오 . 배터리의 접촉 단자면을 덮어 불인 상태로 내부에서 움직이지 않도록 배터리를 포장하십시오 . 또한 이와 관련한 국내 규정을 준수하십시오 .

처리



전동공구, 배터리, 액세서리 및 포장은 친환경적인 방법으로 재활용할 수 있도록 분류하십시오 .



전동공구와 충전용 배터리 / 배터리를 가정용 쓰레기로 처리하지 마십시오 !

충전용 배터리 / 배터리 :

Li-Ion:

"운반" 내용에 나와 있는 주의 사항을 준수하십시오 (37 페이지).

위 사항은 사전 예고 없이 변경될 수도 있습니다 .

ภาษาไทย

กฎระเบียบเพื่อความปลอดภัย

คำเตือนทั่วไปเพื่อความปลอดภัยในการใช้เครื่องมือไฟฟ้า

! คำเตือน ต้องอ่านคำเตือนเพื่อความปลอดภัยและคำสั่งทั้งหมด การไม่ปฏิบัติตามคำเตือนและคำสั่งอาจเป็นสาเหตุให้ถูกไฟฟ้าดูด เกิดไฟไหม้ และ/หรือได้รับบาดเจ็บอย่างร้ายแรง
เก็บรักษาคำเตือนและคำสั่งทั้งหมดสำหรับเปิดอ่านในภายหลัง

คำว่า "เครื่องมือไฟฟ้า" ในคำเตือนหมายถึง เครื่องมือไฟฟ้าของท่านที่ทำงานด้วยพลังงานไฟฟ้าที่ต่อจากเต้าเสียบ (มีสายไฟฟ้า) และเครื่องมือไฟฟ้าที่ทำงานด้วยพลังงานไฟฟ้าจากแบตเตอรี่ (ไร้สาย)

ความปลอดภัยในสถานที่ทำงาน

- ▶ **รักษาสถานที่ทำงานให้สะอาดและมีไฟส่องสว่างดี** สถานที่ที่มีมืดหรือกรงจิ้งจอกเข้ามาซึ่งอุบัติเหตุ
- ▶ **อย่าใช้เครื่องมือไฟฟ้าในสภาพแวดล้อมที่เสี่ยงต่อการติดระเบิดได้** เช่น ในที่มีของเหลว แก๊ส หรือฝุ่นที่ติดไฟได้ เมื่อใช้เครื่องมือไฟฟ้าจะเกิดประกายไฟซึ่งอาจจุดฝุ่นหรือไอให้ลุกเป็นไฟได้
- ▶ **ขณะใช้เครื่องมือไฟฟ้าทำงาน ต้องกั้นเด็กและผู้ยืนดูให้ออกห่าง** การหันเหความสนใจอาจทำให้ท่านขาดการควบคุมเครื่องได้

ความปลอดภัยเกี่ยวกับไฟฟ้า

- ▶ **ปลั๊กของเครื่องมือไฟฟ้าต้องมีขนาดพอดีกับเต้าเสียบ** อย่าตัดแปลงหรือแก้ไขตัวปลั๊กอย่างเด็ดขาด อย่าต่อปลั๊กต่อใดๆ เข้ากับเครื่องมือไฟฟ้าที่มีสายดิน ปลั๊กที่ไม่ตัดแปลงและเต้าเสียบที่เข้ากันช่วยลดความเสี่ยงจากการถูกไฟฟ้าดูด
- ▶ **หลีกเลี่ยงไม่ให้ร่างกายสัมผัสกับพื้นผิวของสิ่งของที่ต่อสายดินไว้** เช่น ท่อ เครื่องทำความร้อน เตา และตู้เย็น จะเสี่ยงอันตรายจากการถูกไฟฟ้าดูดมากขึ้นหากกระแสไฟฟ้าวิ่งผ่านร่างกายของท่านลงดิน
- ▶ **อย่าวางเครื่องมือไฟฟ้าตากฝนหรือทิ้งไว้ในที่ชื้นแฉะ** หากน้ำเข้าในเครื่องมือไฟฟ้า จะเพิ่มความเสี่ยงจากการถูกไฟฟ้าดูด
- ▶ **อย่าใช้สายไฟฟ้าอย่างผิดๆ** อย่าถือเครื่องมือไฟฟ้าที่สาย ใช้สายแขวนเครื่อง หรือยัดสายไฟเข้าเพื่อถอดปลั๊กออกจากเต้าเสียบ กั้นสายไฟฟ้าออกจากความร้อน น้ำมัน ขอบแหลมคม หรือส่วนของเครื่องที่กำลังเคลื่อนไหว สายไฟฟ้าที่ชำรุดหรือพันกันอยู่เพิ่มความเสี่ยงจากการถูกไฟฟ้าดูด
- ▶ **เมื่อใช้เครื่องมือไฟฟ้าทำงานกลางแจ้ง ให้ใช้สายไฟต่อที่ได้รับการรับรองให้ใช้ต่อในที่กลางแจ้งเท่านั้น** การใช้สายไฟต่อที่เหมาะสมสำหรับงานกลางแจ้งช่วยลดอันตรายจากการถูกไฟฟ้าดูด
- ▶ **หากไม่สามารถหลีกเลี่ยงการใช้เครื่องมือไฟฟ้าทำงานในสถานที่เปียกชื้นได้ ให้ใช้สวิตช์ตัดวงจรเมื่อเกิดการรั่วไหลของไฟฟ้าจากสายดิน** การใช้สวิตช์ตัดวงจรเมื่อเกิดการรั่วไหลของไฟฟ้าจากสายดินช่วยลดความเสี่ยงต่อการถูกไฟฟ้าดูด

ความปลอดภัยของบุคคล

- ▶ **ท่านต้องอยู่ในสภาพเตรียมพร้อม** ระวังตัวในสิ่งที่กำลังทำอยู่ และมีสติขณะใช้เครื่องมือไฟฟ้าทำงาน อย่าใช้เครื่องมือไฟฟ้าขณะที่ท่านกำลังเหนื่อย หรืออยู่ภายใต้การครอบงำของฤทธิ์ของยาเสพติด แอลกอฮอล์ และยา เมื่อใช้เครื่องมือไฟฟ้าทำงาน ในชั่วนาทีที่ท่านขาดความเอาใจใส่อาจทำให้บุคคลบาดเจ็บอย่างรุนแรงได้
- ▶ **ใช้อุปกรณ์ปกป้องร่างกาย** สวมแว่นตาป้องกันแสงมอ อุปกรณ์ปกป้อง เช่น หน้ากากกันฝุ่น รองเท้ากันลื่น หมวก

38 | ภาษาไทย

แขนง หรือประกบกันเสี่ยงตั้ง ที่เลือกใช้ตามความเหมาะสม กับสภาพการทำงาน สามารถลดอันตรายต่อบุคคลได้

- ▶ **ป้องกันการตัดเครื่องโดยไม่ตั้งใจ ต้องดูให้แน่ใจว่า สวิตช์อยู่ในตำแหน่งปิดก่อนเสียบปลั๊กไฟเข้าใน เต้าเสียบ และ/หรือใส่แท่งเบตเตอร์ ยักษ์หรือ ก้อนเครื่องมือ** การถือเครื่องโดยใช้นิ้วที่สวิตช์ หรือ เสียบปลั๊กไฟในขณะที่สวิตช์เปิดอยู่ อาจนำไปสู่อุบัติเหตุที่ ร้ายแรงได้
- ▶ **เอาเครื่องมือปรับแต่งหรือปรับแกะปาดคายออกจาก เครื่องมือไฟฟ้าก่อนเปิดสวิตช์** เครื่องมือหรือประแจ ปาดคายที่วางอยู่กับส่วนขงเครื่องที่กำลังหมุนจะทำให้ บุคคลบาดเจ็บได้
- ▶ **หลีกเลี่ยงการตั้งค่าที่ผิดปกติ ตั้งท้ายในที่มันคงและ วางน้ำหนักให้สมดุลตลอดเวลา** ในลักษณะนี้ท่าน สามารถควบคุมเครื่องมือไฟฟ้าในสถานการณ์ที่ไม่คาดคิด ได้ดีกว่า
- ▶ **ใส่เสื้อผ้าที่เหมาะสม อย่าใส่เสื้อผ้าหลวมหรือสวม เครื่องประดับ** เอาผม เลือ่ผ้า และถุงมือออกห่างส่วน ของเครื่องที่กำลังหมุน เสื้อผ้าหลวม เครื่องประดับ และผมยาวอาจเข้าไปติดในส่วนของเครื่องที่กำลังหมุนได้
- ▶ **หากต้องต่อเครื่องมือไฟฟ้าเข้ากับเครื่องดูดฝุ่นหรือ เครื่องเก็บผง ดูให้แน่ใจว่าการเชื่อมต่อและการใช้งาน เป็นไปอย่างถูกต้อง** การใช้อุปกรณ์ดูดฝุ่นช่วยลดอันตราย ที่เกิดจากฝุ่นได้

การใช้และการดูแลรักษาเครื่องมือไฟฟ้า

- ▶ **อย่าใช้เครื่องมือไฟฟ้าอย่างหักโหม ใช้เครื่องมือไฟฟ้า ที่ถูกต้องตรงตามลักษณะงาน** เครื่องมือไฟฟ้าที่ถูกต้อง จะทำงานได้ดีกว่าและปลอดภัยกว่าในระดับสมรรถภาพที่ ออกแบบไว้
- ▶ **อย่าใช้เครื่องมือไฟฟ้าที่สวิตช์เปิดปิดเสีย** เครื่องมือ ไฟฟ้าที่ไม่สามารถควบคุมการเปิดปิดด้วยสวิตช์ได้ เป็น เครื่องมือไฟฟ้าที่ไม่ปลอดภัยและต้องส่งซ่อมแซม
- ▶ **ก่อนปรับแต่งเครื่อง เปลี่ยนอุปกรณ์ประกอบ หรือ เก็บเครื่องเข้าที่ ต้องถอดปลั๊กไฟออกจากเต้าเสียบ และ/หรือถอดแท่งเบตเตอร์ออกจากเครื่องมือไฟฟ้า** มาตรการป้องกันเพื่อความปลอดภัยนี้ช่วยลดความเสี่ยง จากการตัดเครื่องโดยไม่ตั้งใจ
- ▶ **เมื่อเลิกใช้งานเครื่องมือไฟฟ้า ให้เก็บเครื่องไว้ในที่ที่ เด็กหยิบไม่ถึง และไมอนุญาตให้บุคคลที่ไม่คุ้นเคย กับเครื่องหรือบุคคลที่ไม่ได้อ่านคำแนะนำนี้ใช้เครื่อง เครื่องมือไฟฟ้าเป็นของอันตรายหากตกอยู่ในมือของผู้ใช้ที่ ไม่ได้รับการฝึกฝน**
- ▶ **เอาใจใส่ดูแลรักษาเครื่อง** ตรวจสอบส่วนที่เคลื่อนไหว ได้ขอเครื่องว่าวางอยู่ตรงแนวหรือติดขัดหรือไม่ ตรวจสอบการแตกหักของชิ้นส่วนและสภาพอื่นใดที่ อาจมีผลต่อการทำงานของเครื่องมือไฟฟ้า หากชำรุด ต้องส่งเครื่องมือไฟฟ้าซ่อมแซมก่อนใช้งาน อุบัติเหตุ หลายอย่างเกิดขึ้นเนื่องจากดูแลรักษาเครื่องไม่ดีพอ
- ▶ **รักษาเครื่องมือตัดให้คมและสะอาด** หากบำรุงรักษา เครื่องมือที่มีขอบตัดแหลมคมอย่างถูกต้อง จะสามารถตัด ได้ลื่นไม่ติดขัดและควบคุมได้ง่ายกว่า
- ▶ **ใช้เครื่องมือไฟฟ้า อุปกรณ์ประกอบ เครื่องมือ และ อุปกรณ์อื่นๆ ให้ตรงตามคำแนะนำนี้ และในลักษณะ**

ตามที่เครื่องมือไฟฟ้าประเภทนั้นๆ กำหนดไว้ โดยต้อง คำนึงถึงเงื่อนไขการทำงานและงานที่จะทำด้วย การใช้ เครื่องมือไฟฟ้าทำงานที่ต่างไปจากวัตถุประสงค์การใช้ งานของเครื่อง อาจนำไปสู่สถานการณ์ที่เป็นอันตรายได้

การใช้และการดูแลรักษาเครื่องที่ใช้เบตเตอร์

- ▶ **ชาร์จเบตเตอร์ด้วยเครื่องชาร์จที่บริษัทผู้ผลิตระบุไว้ เท่านั้น** เครื่องชาร์จที่เหมาะสมสำหรับชาร์จเบตเตอร์ประเภท หนึ่ง หากนำไปชาร์จเบตเตอร์ประเภทอื่น อาจเกิด ไฟไหม้ได้
- ▶ **ใช้เบตเตอร์เฉพาะประเภทที่เครื่องมือไฟฟ้ากำหนด ให้ใช้ได้** การใช้เบตเตอร์ประเภทอื่นเสี่ยงต่อการเกิด ไฟไหม้หรือบาดเจ็บ
- ▶ **เมื่อไม่ใช้เบตเตอร์ ให้เก็บเบตเตอร์ไว้ห่างโลหะวัตถุ อื่นๆ เช่น คลิปหนีบกระดาษ เหรียญ กุญแจ ตะปู สกรู หรือโลหะวัตถุขนาดเล็กอื่นๆ ที่สามารถต่อขั้วหนึ่ง ไป ยังอีกขั้วหนึ่งได้** การลัดวงจรของขั้วเบตเตอร์อาจทำให้ เกิดการไหม้หรือฟลุกได้
- ▶ **เมื่อใช้เบตเตอร์ดีควีรี่ อาจมีของเหลวไหลออกมาจาก เบตเตอร์ได้ ให้หลีกเลี่ยงการสัมผัสของเหลว** หาก สัมผัสโดยบังเอิญ ให้ใช้น้ำล้าง หากของเหลวเข้าตา ให้ขอความช่วยเหลือจากแพทย์ด้วย ของเหลวที่ไหล ออกมาจากเบตเตอร์อาจทำให้เกิดอาการคันหรือแสบ ผิวหนังได้

การบริการ

- ▶ **ส่งเครื่องมือไฟฟ้าให้ช่างผู้เชี่ยวชาญตรวจซ่อมและใช้ อะไหล่เปลี่ยนของแท้เท่านั้น** ในลักษณะนี้ท่านจะแน่ใจ ได้ว่าเครื่องมือไฟฟ้าอยู่ในสภาพที่ปลอดภัย

คำเตือนเพื่อความปลอดภัยสำหรับส่วนดอก

- ▶ **สวมประภทป้องกันเสียงดัง** การรับฟังเสียงดังอาจทำให้ ท่านสูญเสียการได้ยิน
- ▶ **หากด้ามจับเพิ่มจัดส่งมาพร้อมกับเครื่อง ให้ใช้ด้ามจับ เพิ่มร่วมด้วย** การสูญเสียการควบคุมอาจทำให้บุคคล บาดเจ็บได้
- ▶ **เมื่อทำงานในบริเวณที่อุปกรณ์ตัดอาจสัมผัสกับสายไฟฟ้า ที่ซ่อนอยู่ ต้องจับเครื่องมือไฟฟ้าตรงด้ามจับที่หุ้มฉนวน** หากอุปกรณ์ตัดสัมผัสกับสายที่มีกระแสไฟฟ้าไหลผ่านจะ ทำให้ส่วนที่เป็นโลหะของเครื่องมือไฟฟ้าเกิดมีกระแสไฟฟ้า ด้วย และส่งผลให้ผู้ใช้เครื่องถูกไฟฟ้าดูดได้
- ▶ **ใช้เครื่องตรวจที่เหมาะสมตรวจหาท่อและสายไฟฟ้าที่ อาจซ่อนอยู่ในบริเวณที่ทำงาน หรือขอความช่วยเหลือจากบริษัทวางท่อและสายไฟฟ้าในท้องถิ่น** การสัมผัสกับสาย ไฟฟ้าอาจทำให้เกิดไฟไหม้หรือถูกไฟฟ้า ช็อกหรือดูดได้ การ ทำให้ท่อแก๊สเสียหายอาจเกิดระเบิด ได้ การเจาะเข้าในท่ออื่น ทำให้ทรัพย์สินเสียหาย
- ▶ **เมื่อใช้เครื่องทำงาน ต้องใช้มือทั้งสองจับเครื่อง ให้แน่น และตั้งท้ายในที่มันคงเสมอ** เครื่องมือไฟฟ้า สามารถเคลื่อนนำได้มันคงกว่าเมื่อใช้มือทั้งสองข้างจับ
- ▶ **ยึดชิ้นงานให้แน่น** การยึดชิ้นงานด้วยเครื่องหนีบหรือ แท่นจับจะมันคงกว่าการยึดด้วยมือ
- ▶ **ก่อนวางเครื่องลงบนพื้นทุกครั้งต้องรอให้เครื่อง หยุดนิ่งอยู่กับที่เสมอ** มิฉะนั้นเครื่องมือที่ใส่อยู่อาจติดขัด และนำไปสู่การสูญเสียการควบคุมเครื่องมือไฟฟ้า

▶ **อย่าเปิดแบตเตอรี่ด้วยตนเอง** อันตรายจากการลัดวงจร

ปกป้องแบตเตอรี่จากความร้อน ต. ย. เช่น จากแสงแดดจ้าที่ส่องอย่างต่อเนื่อง ไฟ น้ำ และความชื้น อันตรายจากการระเบิด

▶ ในกรณีที่แบตเตอรี่ชำรุดและใช้แบตเตอรี่อย่างไม่ถูกต้อง อาจมีไอระเหยออกมา ให้สูดอากาศบริสุทธิ์และหาแพทย์ในกรณีเจ็บปวด ไอระเหยอาจทำให้ระบบหายใจระคายเคือง

▶ ใช้แบตเตอรี่เฉพาะกับเครื่องมือไฟฟ้า บั๊กซ์ ของท่านเท่านั้น การกระทำเช่นนี้เท่านั้นที่จะช่วยปกป้องแบตเตอรี่จากการถูกใช้งานเกินพิกัดซึ่งเป็นอันตราย

▶ วัตถุที่แหลมคม ต. ย. เช่น ตะปูหรือไขควง หรือแรงกระทำภายนอก อาจทำให้แบตเตอรี่เสียหายได้ สิ่งเหล่านี้อาจทำให้เกิดการลัดวงจรภายในและแบตเตอรี่ใหม่ มีควัน ระเบิด หรือร้อนเกินไป

รายละเอียดผลิตภัณฑ์และข้อมูลจำเพาะ



ต้องอ่านคำเตือนเพื่อความปลอดภัยและคำสั่งทั้งหมด การไม่ปฏิบัติตามคำเตือนและคำสั่งอาจเป็นสาเหตุให้ถูกไฟฟ้าดูด เกิดไฟไหม้ และ/หรือได้รับบาดเจ็บอย่างร้ายแรง

ประโยชน์การใช้งานของเครื่อง

เครื่องนี้ใช้สำหรับเจาะตอกในคอนกรีต อิฐ และหิน และยังใช้สำหรับ งานสกัดเบาๆ นอกจากนี้ยัง เหมาะสำหรับเจาะโดยไม่กระทบแก๊สในไม้ โลหะ เซรามิก และพลาสติก เครื่องที่มีระบบควบคุมอิเล็กทรอนิกส์และการหมุนซ้าย/ขวาสามารถใช้ขันสกรูได้ด้วย

ส่วนประกอบผลิตภัณฑ์

ลำดับเลขของส่วนประกอบผลิตภัณฑ์อ้างอิงถึงส่วนประกอบของเครื่องที่แสดงในหน้าภาพประกอบ

- 1 หัวจับดอกไร้เฟืองในชนิดเปลี่ยนเร็ว (GBH 36 VF-LI Plus)
- 2 หัวจับดอกชนิดเปลี่ยนเร็ว SDS-plus (GBH 36 VF-LI Plus)

ข้อมูลทางเทคนิค

ส่วนโรตารี	GBH 36 V-LI Plus	GBH 36 VF-LI Plus
หมายเลขสินค้า	3 611 J06 0..	3 611 J07 0..
การควบคุมความเร็วรอบ	●	●
ระบบหยุดการหมุน	●	●
การหมุนซ้าย/ขวา	●	●
หัวจับดอกชนิดเปลี่ยนเร็ว	–	●
แรงดันไฟฟ้าที่กำหนด	V=	36
กำลังไฟฟ้าเข้าที่กำหนด	วัตต์	600
1) ขึ้นอยู่กับแบตเตอรี่แพคเกจที่ใช้		
2) ผลการทำงานน้อยลงที่อุณหภูมิ <0 °C		
กำหนดข้อมูลทางเทคนิคด้วยแบตเตอรี่ที่จัดส่งมา		

3 ตามจับเครื่องมือ SDS-plus

4 ผาครอบกันฝุ่น

5 ปลอกสำหรับล้อค

6 แหวนล้อคสำหรับหัวจับดอกชนิดเปลี่ยนเร็ว (GBH 36 VF-LI Plus)

7 ตัวหน่วงการสั่นสะเทือน

8 สวิตช์เปลี่ยนทิศทางการหมุน

9 ตามจับ (พื้นผิวจับหุ้มฉนวน)

10 สวิตช์เปิด-ปิด

11 แบตเตอรี่แพคเกจ*

12 ปุ่มปลดล็อกสวิตช์เลือกวิธีปฏิบัติงาน

13 สวิตช์เลือกวิธีปฏิบัติงาน

14 ไฟส่องบริเวณทำงาน

15 ปุ่มปรับก้านวัดความลึก

16 ตามจับเพิ่ม (พื้นผิวจับหุ้มฉนวน)

17 ก้านวัดความลึก

18 เบ้าปลดล็อกแบตเตอรี่

19 ไฟแสดงการควบคุมอุณหภูมิ

20 ไฟแสดงสถานะการชาร์จแบตเตอรี่

21 ปุ่มสำหรับไฟแสดงสถานะการชาร์จ

22 สกรูยึดสำหรับหัวจับดอกชนิดมีเฟืองใน (GBH 36 V-LI Plus) *

23 หัวจับดอกชนิดมีเฟืองใน (GBH 36 V-LI Plus) *

24 ก้านปรับ SDS-plus สำหรับหัวจับดอก (GBH 36 V-LI Plus) *

25 ขั้วรับหัวจับดอก (GBH 36 VF-LI Plus)

26 ร่องเอกลักษณ์

27 ประแจหัวจับดอก (GBH 36 V-LI Plus)

28 ปลอกหน้าของหัวจับดอกไร้เฟืองในชนิดเปลี่ยนเร็ว (GBH 36 VF-LI Plus)

29 แหวนกันของหัวจับดอกไร้เฟืองในชนิดเปลี่ยนเร็ว (GBH 36 VF-LI Plus)

30 สวิตช์ EPC (Electronic Precision Control)

31 ตามจับดอกทั่วไปที่มีก้าน SDS-plus *

*อุปกรณ์ประกอบที่แสดงหรือระบุไม่รวมอยู่ในการจัดส่งมาตรฐาน กรุณาดูอุปกรณ์ประกอบทั้งหมดในรายการแสดงอุปกรณ์ประกอบของเรา

40 | ภาษาไทย

ส่วนใดตัว		GBH 36 V-LI Plus	GBH 36 VF-LI Plus
อัตรากระแทก	/นาทีก	0–4200	0–4200
พลังงานกระแทกต่อครั้งตามระเบียบการ-EPTA-Procedure 05/2009	จูล	3.2	3.2
ความเร็วรอบกำหนด			
- การหมุนทางขวา	รอบ/นาทีก	0–940	0–940
- การหมุนทางซ้าย	รอบ/นาทีก	0–930	0–930
ตามจับเครื่องมือ		SDS-plus	SDS-plus
เส้นผ่าศูนย์กลางปลอกหุ้มเพลลา	มม.	50	50
เส้นผ่าศูนย์กลางรูเจาะ สูงสุด			
- คอนกรีต	มม.	28	28
- งานก่ออิฐ (ใช้ดอกกลอนแกน)	มม.	82	82
- เหล็กกล้า	มม.	13	13
- ไม้	มม.	30	30
น้ำหนักตามระเบียบการ-EPTA-Procedure 01:2014	กก.	4.0/4.5 ¹⁾	4.1/4.6 ¹⁾
อุณหภูมิแวดล้อมที่อนุญาต			
- เมื่อชาร์จ	°C	0...+45	0...+45
- เมื่อทำงาน ²⁾ และเมื่อจัดเก็บ	°C	-20...+50	-20...+50
แบตเตอรี่ที่แนะนำ		GBA 36V ...	GBA 36V ...
เครื่องชาร์จที่แนะนำ		AL36..	AL36..
		GAL 36..	GAL 36..

1) ขึ้นอยู่กับแบตเตอรี่แพ็คเกจที่ใช้

2) ผลการทำงานน้อยลงที่อุณหภูมิต่ำ < 0 °C

กำหนดข้อมูลทางเทคนิคด้วยแบตเตอรี่ที่จัดส่งมา

การประกอบ

การชาร์จแบตเตอรี่ (ดูภาพประกอบ A)

▶ ใช้เฉพาะเครื่องชาร์จแบตเตอรี่ตามรายการในหน้าอุปกรณ์ประกอบเท่านั้น เฉพาะเครื่องชาร์จแบตเตอรี่เหล่านี้เท่านั้นที่เข้าชุดกับแบตเตอรี่ลิเทียม ไอออน ของเครื่องมือไฟฟ้าของท่าน

หมายเหตุ: แบตเตอรี่ที่จัดส่งได้รับการชาร์จไฟไว้บ้างแล้วเพื่อให้แบตเตอรี่ทำงานได้เต็มประสิทธิภาพ ต้องชาร์จแบตเตอรี่ในเครื่องชาร์จแบตเตอรี่ให้เต็มก่อนใช้งานเครื่องมือไฟฟ้าของท่านเป็นครั้งแรก

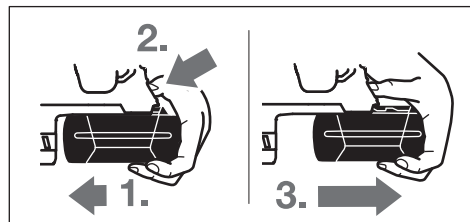
แบตเตอรี่ลิเทียม ไอออน สามารถชาร์จได้ทุกเวลาโดยอายุการใช้งานจะไม่ลดลง การขัดจังหวะกระบวนการชาร์จไม่ทำให้แบตเตอรี่เสียหาย

"Electronic Cell Protection (ECP)" ป้องกันไม่ให้แบตเตอรี่ Li-ion จ่ายกระแสไฟฟ้ออกอีก เมื่อแบตเตอรี่หมดไฟ วงจรป้องกันจะดับสวิทช์เครื่อง เครื่องมือที่ใส่อยู่จะไม่หมุนต่อ

▶ หลังจากเครื่องดับสวิทช์โดยอัตโนมัติ อย่ากดสวิทช์เปิด-ปิดต่อ แบตเตอรี่อาจเสียหายได้

การถอดแบตเตอรี่

แบตเตอรี่ 11 มีสองระดับการล็อคซึ่งจะป้องกันแบตเตอรี่ไม่ให้หล่นออกมาเมื่อแป้นปลดล็อคแบตเตอรี่ 18 ถูกกดโดยไม่ตั้งใจ เมื่อแบตเตอรี่ถูกบรรจุอยู่ในเครื่องมือไฟฟ้า สวิตช์จะยึดแบตเตอรี่ให้เข้าตำแหน่ง



เมื่อต้องการถอดแบตเตอรี่ 11:

- ดันแบตเตอรี่เข้าหาฐานของเครื่องมือไฟฟ้า (1.) และขณะเดียวกันให้กดแป้นปลดล็อคแบตเตอรี่ 18 (2.)
- ดึงแบตเตอรี่ออกจากเครื่องมือไฟฟ้าจนมองเห็นแถบสีแดง (3.)
- กดแป้นปลดล็อคแบตเตอรี่ 18 อีกครั้งและดึงแบตเตอรี่ออกทั้งหมด

การแสดงสถานะการชาร์จแบตเตอรี่

ไฟสัญญาณ LED สีเขียวสามดวงที่เป็นไฟแสดงสถานะการชาร์จแบตเตอรี่ 20 บ่งบอกถึงสถานะการชาร์จของแบตเตอรี่ 11 เพื่อความปลอดภัย สถานภาพของสถานะการชาร์จสามารถตรวจสอบได้เมื่อเครื่องหยุดนิ่งอยู่กับที่เท่านั้น

- กดปุ่ม 21 เพื่อแสดงสถานะการชาร์จ (ตรวจสอบได้แม้ถอดแบตเตอรี่ออกแล้ว) ไฟแสดงสถานะการชาร์จแบตเตอรี่จะดับลงโดยอัตโนมัติหลังจากนั้นประมาณ 5 วินาที

LED	ความจุ
ส่องสว่างต่อเนื่อง 3 x สีเขียว	≥2/3
ส่องสว่างต่อเนื่อง 2 x สีเขียว	≥1/3
ส่องสว่างต่อเนื่อง 1 x สีเขียว	<1/3
ไฟกะพริบ 1 x สีเขียว	สำรอง

เมื่อครบ 21 แล้วไฟสัญญาณ LED ไม่ติดขึ้น แสดงว่าแบตเตอรี่ขารุดและต้องเปลี่ยนใหม่

ในระหว่างกระบวนการชาร์จ ไฟสัญญาณ LED สีเขียวสามดวงจะติดขึ้นทีละดวงตามลำดับและจะดับลงสั้นๆ แบตเตอรี่ถูกชาร์จเต็มเมื่อไฟสัญญาณ LED สีเขียวสามดวงติดขึ้นอย่างต่อเนื่อง เมื่อแบตเตอรี่ถูกชาร์จเต็มแล้ว จากนั้นประมาณ 5 นาทีไฟสัญญาณ LED สามดวงจะดับลงอีกครั้ง

ด้ามจับเพิ่ม

► ให้ใช้เครื่องมือไฟฟ้าพร้อมด้ามจับเพิ่ม 16 เสมอ

การหมุนด้ามจับเพิ่ม (ดูภาพประกอบ B)

ท่านสามารถจับด้ามจับเพิ่ม 16 หันไปยังตำแหน่งใดก็ได้ เพื่อจะได้ทำงานที่มั่นคงและเหนียวน้อย

- หมุนส่วนล่างของด้ามจับเพิ่ม 16 ไปในทิศทวนเข็มนาฬิกา และหันด้ามจับเพิ่ม 16 ไปยังตำแหน่งที่ต้องการ จากนั้นขันด้ามจับเพิ่ม 16 เข้าให้แน่นเหมือนเดิม โดยหมุนไปในทิศทางเข็มนาฬิกา

ระมัดระวังให้สายรัดของด้ามจับเพิ่มอยู่ในร่องบนตัวเครื่องตามที่ยื่นออกมาไว้

การเลือกหัวจับดอกและเครื่องมือ

สำหรับการเจาะดอกและการสกัดต้องใช้เครื่องมือ SDS-plus โดยใส่เครื่องมือเข้าในหัวจับดอก SDS-plus สำหรับการเจาะโดยไม่กระทบก้านไม้ โลหะ เซรามิก และพลาสติก รวมทั้งการขันสกรู ต้องใช้เครื่องมือที่ไม่มี SDS-plus (ต.ย. เช่น ดอกสว่านที่มีก้านทรงกระบอก) ต้องใช้หัวจับดอกไร้เฟืองในหรือหัวจับดอกที่มีเฟืองในสำหรับเครื่องมือเจาะประเภทนี้

การใส่/การถอดหัวจับดอกชนิดมีเฟืองใน (GBH 36 V-LI Plus)

เมื่อใช้เครื่องมือที่ไม่มี SDS-plus ทำงาน (ต.ย. เช่น ดอกสว่านที่มีก้านทรงกระบอก) ต้องประกอบหัวจับดอกที่เหมาะสมเข้า (หัวจับดอกชนิดมีเฟืองในหรือไร้เฟืองใน อุปกรณ์ประกอบ)

การประกอบหัวจับดอกชนิดมีเฟืองใน (ดูภาพประกอบ C)

- ขันก้านปรับ SDS-plus 24 เข้าในหัวจับดอกชนิดมีเฟืองใน 23 ยึดหัวจับดอกชนิดมีเฟืองใน 23 ด้วยสกรูยึด 22 **กรุณาสังเกตว่าสกรูยึดมีเกลียวหมุนทางซ้าย**

การใส่หัวจับดอกชนิดมีเฟืองใน (ดูภาพประกอบ C)

- ทำความสะอาดปลายก้านปรับ และเคลือบจาระบีบางๆ
- จับหัวจับดอกชนิดมีเฟืองในพร้อมก้านปรับหมุนใส่ในด้ามจับเครื่องมือจนเข้าล็อกโดยอัตโนมัติ
- ดึงหัวจับดอกชนิดมีเฟืองในเพื่อตรวจสอบการล็อก

การถอดหัวจับดอกชนิดมีเฟืองใน

- ดันปลอกสำหรับล็อก 5 ไปด้านหลัง และดึงหัวจับดอกชนิดมีเฟืองใน 23 ออก

การถอด/การใส่หัวจับดอกชนิดเปลี่ยนเร็ว (GBH 36 VF-LI Plus)

หัวจับดอกชนิดเปลี่ยนเร็ว SDS-plus 2 สามารถสลับได้อย่างง่ายดายกับหัวจับดอกไร้เฟืองในชนิดเปลี่ยนเร็ว 1 ที่จัดส่งมา

การถอดหัวจับดอกชนิดเปลี่ยนเร็ว (ดูภาพประกอบ D)

- ดึงแหวนล็อกสำหรับหัวจับดอกชนิดเปลี่ยนเร็ว 6 ไปด้านหลัง จับแหวนล็อกให้อยู่ในตำแหน่งนี้ และดึงหัวจับดอกชนิดเปลี่ยนเร็ว SDS-plus 2 หรือหัวจับดอกไร้เฟืองในชนิดเปลี่ยนเร็ว 1 ไปด้านหน้า
- เมื่อถอดออกแล้ว ต้องป้องกันหัวจับดอกที่เปลี่ยนออกไม่ให้เบียดสกปรก

การใส่หัวจับดอกชนิดเปลี่ยนเร็ว (ดูภาพประกอบ E)

- **ใช้อุปกรณ์ประกอบของแต่เฉพาะรุ่นเท่านั้น และต้องใส่ใจดูจำนวนของร่องเอกลักษณ์ 26 ด้วยอนุญาตให้ใช้เฉพาะหัวจับดอกชนิดเปลี่ยนเร็วที่มีร่องเอกลักษณ์สองหรือสามร่องเท่านั้น** หากใช้หัวจับดอกชนิดเปลี่ยนเร็วที่ไม่เหมาะสม เครื่องมือใช้งานอาจหล่นออกมาขณะทำงาน
- ก่อนสวมใส่ ต้องทำความสะอาดหัวจับดอกชนิดเปลี่ยนเร็ว และเคลือบจาระบีบางๆ ที่ปลายก้าน
- จับหัวจับดอกชนิดเปลี่ยนเร็ว SDS-plus 2 หรือหัวจับดอกไร้เฟืองในชนิดเปลี่ยนเร็ว 1 เดิมๆ มือ เลื่อนหัวจับดอกชนิดเปลี่ยนเร็วหมุนใส่บนข้อรับหัวจับดอก 25 จนได้ยินเสียงลงล็อกอย่างชัดเจน
- หัวจับดอกชนิดเปลี่ยนเร็วจะล็อกโดยอัตโนมัติ ดึงหัวจับดอกชนิดเปลี่ยนเร็วเพื่อตรวจสอบการล็อก

การเปลี่ยนเครื่องมือ

ฝาครอบกันฝุ่น 4 สามารถป้องกันไม่ให้ฝุ่นที่เกิดจากการเจาะลอดเข้าในหัวจับดอกขณะปฏิบัติงานได้เป็นอย่างดี เมื่อใส่เครื่องมือ ต้องระวังอย่าทำให้ฝาครอบกันฝุ่น 4 ขารุด

► **ควรเปลี่ยนฝาครอบกันฝุ่นที่ขารุดโดยทันที เราขอแนะนำว่า ควรส่งให้ศูนย์บริการหลังการขายเปลี่ยนให้**

การเปลี่ยนเครื่องมือ (SDS-plus)

การใส่เครื่องมือเจาะ SDS-plus (ดูภาพประกอบ F)

หัวจับดอก SDS-plus ทำให้ท่านสามารถเปลี่ยนเครื่องมือเจาะได้สะดวกง่ายดายโดยไม่ต้องใช้เครื่องมืออื่นๆ ช่วย

- GBH 36 VF-LI Plus: ใส่หัวจับดอกชนิดเปลี่ยนเร็ว SDS-plus 2
- ทำความสะอาดและทาจาระบีบางๆ ที่ปลายก้านเครื่องมือ
- จับเครื่องมือหมุนใส่ในหัวจับดอกจนเครื่องมือล็อกตัวเอง
- ดึงเครื่องมือเพื่อตรวจสอบการล็อก

ตามเงื่อนไขของระบบทำงาน เครื่องมือเจาะ SDS-plus สามารถเคลื่อนไหวได้อย่างอิสระ ด้วยเหตุนี้ เมื่อปล่อยให้หัวจับดอกตัวเปล่า เครื่องมือจะวิ่งออกนอกเครื่องมืออยู่บ้าง ซึ่งจะไม่ส่งผลต่อความเที่ยงตรงของรูเจาะ เพราะเมื่อเจาะรู ดอกสว่านจะตั้งตัวให้อยู่ตรงกลางเอง

42 | ภาษาไทย

การถอดเครื่องมือเจาะ SDS-plus (ดูภาพประกอบ G)

- ดันปลอกสำหรับล็อก 5 ไปด้านหลัง และเอาเครื่องมือออก

การเปลี่ยนเครื่องมือ (ไม่มี SDS-plus) (GBH 36 V-LI Plus)

การใส่ (ดูภาพประกอบ H)

หมายเหตุ: อย่าใช้เครื่องมือที่ไม่มี SDS-plus เพื่อเจาะตอกหรือสกัด! เครื่องมือที่ไม่มี SDS-plus รวมทั้งหัวจับดอกของเครื่องมืออาจชำรุดจากการเจาะตอกหรือสกัด

- ใส่หัวจับดอกชนิดมีเฟืองใน 23 (ดู "การใส่/การถอดหัวจับดอกชนิดมีเฟืองใน" หน้า 41)
- เปิดหัวจับดอกชนิดมีเฟืองใน 23 โดยการหมุนจนสามารถใส่เครื่องมือได้ จับเครื่องมือใส่เข้าไป
- ใส่ประแจหัวจับดอกเข้าในรูที่ลงรอยกันของหัวจับดอกชนิดมีเฟืองใน 23 และหนีบเครื่องมือเข้าเท่าๆ กัน
- สับสวิตช์เลือกวิธีการปฏิบัติงาน 13 ไปที่ตำแหน่ง "การเจาะ"

การถอด (ดูภาพประกอบ I)

- หมุนปลอกของหัวจับดอกชนิดมีเฟืองใน 23 ด้วยประแจหัวจับดอกไปในทิศทางเข็มนาฬิกาจนสามารถถอดเครื่องมือเจาะออกมาได้

การเปลี่ยนเครื่องมือ (ไม่มี SDS-plus) (GBH 36 VF-LI Plus)

การใส่ (ดูภาพประกอบ J)

หมายเหตุ: อย่าใช้เครื่องมือที่ไม่มี SDS-plus เพื่อเจาะตอกหรือสกัด! เครื่องมือที่ไม่มี SDS-plus รวมทั้งหัวจับดอกของเครื่องมืออาจชำรุดจากการเจาะตอกหรือสกัด

- ใส่หัวจับดอกไร้เฟืองในชนิดเปลี่ยนเร็ว 1
- จับแหวนกัน 29 ของหัวจับดอกชนิดเปลี่ยนเร็วให้แน่นคง เปิดตามจับเครื่องมือโดยหมุนปลอกหน้า 28 จนสามารถใส่เครื่องมือเข้าไปได้ จับแหวนกัน 29 ให้แน่นและหมุนปลอกหน้า 28 ไปในทิศทางหมุนลูกศรจนได้ยินเสียงลงสลักอย่างชัดเจน
- ดึงเครื่องมือเพื่อตรวจสอบการเข้าในตำแหน่งอย่างแน่นหนา

หมายเหตุ: หากตามจับเครื่องมือถูกเปิดออกจนสุด และขณะหมุนตามจับเครื่องมือให้ปิดอาจได้ยินเสียงลงสลัก แต่ตามจับเครื่องมือไม่ปิดลงในกรณีนี้ ให้หมุนปลอกหน้า 28 ไปในทิศทางตรงข้ามกับทิศทางหมุนลูกศรหนึ่งครั้ง จากนั้นตามจับเครื่องมือจะสามารถปิด (แน่นสนิท) อีกครั้ง

- สับสวิตช์เลือกวิธีการปฏิบัติงาน 13 ไปที่ตำแหน่ง "การเจาะ"

การถอด (ดูภาพประกอบ K)

- จับแหวนกัน 29 ของหัวจับดอกชนิดเปลี่ยนเร็วให้แน่นคง เปิดตามจับเครื่องมือโดยหมุนปลอกหน้า 28 ไปตามทิศทางหมุนลูกศร

การดูดฝุ่นออกด้วย GDE 16 Plus (อุปกรณ์ประกอบ)

- ▶ ฝุ่นที่ได้จากวัสดุ เช่น เคลือบผิวที่มีสารตะกั่ว ไม้ยางประเภทแรชาคู และโลหะ อาจเป็นอันตรายต่อสุขภาพ การสัมผัสหรือการหายใจเอาฝุ่นเข้าไปอาจทำให้เกิดปฏิกิริยาแพ้ฝุ่น

และ/หรือนำมาซึ่งโรคติดเชื้อระบบหายใจแก่ผู้ใช้เครื่องมือหรือผู้ที่ยืนอยู่ใกล้เคียง
ฝุ่นบางประเภท เช่น ฝุ่นไม้โอ๊ก หรือไม้บีช นับเป็นสารที่ทำให้เกิดมะเร็ง โดยเฉพาะอย่างยิ่งเมื่อผสมกับสารเติมแต่งเพื่อบำบัดไม้ (โครเมต ผลึกกัมที่รักษาเนื้อไม้) สำหรับวัสดุที่มีแอลเบสทอสตองให้ผู้ใช้สวมหน้ากากทำงานเท่านั้น

- ใช้ระบบดูดฝุ่นออกที่เหมาะสมกับประเภทวัสดุ มากเท่าที่จะทำได้
- จัดสถานที่ทำงานให้มีภาวะระบายอากาศที่ดี
- ขอแนะนำให้สวมหน้ากากป้องกันกาติดต่อที่มีระดับ-ใส่กรอง P2

ปฏิบัติตามกฎข้อบังคับสำคัญอื่นๆ ที่เกี่ยวกับวัสดุชิ้นงานที่บังคับใช้ในประเทศของท่าน

- ▶ **ป้องกันการสะสมของฝุ่นในสถานที่ทำงาน** ฝุ่นสามารถลุกไหม้อย่างง่ายดาย

สำหรับการดูดฝุ่นออกต้องใช้ GDE 16 Plus (อุปกรณ์ประกอบ)

เครื่องดูดฝุ่นต้องมีลักษณะการใช้งานที่เหมาะสมกับประเภทวัสดุชิ้นงาน

ในกรณีดูดฝุ่นแห้งที่เป็นอันตรายต่อสุขภาพอย่างยิ่งหรืออาจก่อให้เกิดมะเร็งได้ ให้ใช้เครื่องดูดฝุ่นพิเศษ

การปฏิบัติงาน

เริ่มต้นปฏิบัติงาน

การใส่แบตเตอรี่

- ตั้งสวิตช์เปลี่ยนทิศทางการหมุน 8 ไว้ที่ตำแหน่งกลางเพื่อป้องกันไม่ให้เครื่องมือไฟฟ้าสตาร์ทขึ้นโดยไม่ตั้งใจ
- ใส่แบตเตอรี่แพ็คที่ชาร์จแล้ว 11 จากทางด้านท้ายเข้าไปในฐานของเครื่องมือไฟฟ้า กดแบตเตอรี่แพ็คเข้าไปในฐานทั้งหมดจนไม่สามารถมองเห็นแถบสีแดงอีกต่อไป และแบตเตอรี่แพ็คถูกล็อกอย่างปลอดภัยแล้ว

การตั้งวิธีการปฏิบัติงาน

ท่านสามารถเลือกวิธีการปฏิบัติงานของเครื่องมือไฟฟ้าด้วยสวิตช์เลือกวิธีการปฏิบัติงาน 13

หมายเหตุ:

- เปลี่ยนวิธีการปฏิบัติงานเฉพาะเมื่อเครื่องปิดสวิตช์อยู่เท่านั้น! มิฉะนั้นเครื่องจะชำรุดเสียหายได้
- เมื่อต้องการเปลี่ยนวิธีการปฏิบัติงาน ให้กดปุ่มปลดล็อก 12 และสับสวิตช์เลือกวิธีการปฏิบัติงาน 13 ไปยังตำแหน่งที่ต้องการจนได้ยินเสียงลงสลัก



ตำแหน่งสำหรับ การเจาะตอก
ในคอนกรีตหรือหิน



ตำแหน่งสำหรับ การเจาะ โดยไม่กระทบ
ในไม้ โลหะ เซรามิก และพลาสติก รวมทั้ง
การขันสลกรู



ตำแหน่ง **Vario-Lock** สำหรับปรับ
ตำแหน่งสลัก
สวิตช์เลือกวิธีการปฏิบัติงาน **13**
จะไม่ล็อกสลักในตำแหน่งนี้



ตำแหน่งสำหรับการ **การล็อก**

การกลับทิศทางการหมุน

สวิตช์เปลี่ยนทิศทางการหมุน **8** ใช้สำหรับกลับทิศทางการหมุนของเครื่อง อย่างไรก็ดี หากกดสวิตช์เปิด-ปิด **10** อยู่ จะกลับทิศทางการหมุนไม่ได้

การหมุนทางขวา: เลื่อนสวิตช์เปลี่ยนทิศทางการหมุน **8** ไปจนสุดในตำแหน่ง ←

การหมุนทางซ้าย: เลื่อนสวิตช์เปลี่ยนทิศทางการหมุน **8** ไปจนสุดในตำแหน่ง →

ตั้งทิศทางการหมุนสำหรับการเจาะตอก การเจาะ และ การล็อก ไว้ที่การหมุนทางขวาเสมอ

การเปิด-ปิดเครื่อง

เพื่อประหยัดพลังงาน เปิดสวิตช์เครื่องมือไฟฟ้าเฉพาะเมื่อใช้งานเท่านั้น

- **เปิดเครื่อง**ทำงานโดยกดสวิตช์เปิด-ปิด **10**

เมื่อเปิดเครื่องทำงานเป็นครั้งแรก เครื่องอาจออกตัวช้า ทั้งนี้เพราะระบบอิเล็กทรอนิกส์ของเครื่องมือไฟฟ้าต้องปรับตั้งตัวเองก่อน

- **ปิดเครื่อง**โดยปล่อยนิ้วจากสวิตช์เปิด-ปิด **10**

การตั้งความเร็วรอบ/อัตรากระแทก

ท่านสามารถปรับอัตราความเร็วรอบ/กระแทกของเครื่องมือไฟฟ้าที่เปิดสวิตช์ทำงานได้อย่างต่อเนื่อง ทั้งนี้ขึ้นอยู่กับแรงที่กดลงบนสวิตช์เปิด-ปิด **10**

กดสวิตช์เปิด-ปิด **10** เมาะจะได้อัตราความเร็วรอบ/กระแทกต่ำ กดสวิตช์แรงขึ้นอัตราความเร็วรอบ/กระแทกจะเพิ่มขึ้น

การควบคุมด้วยระบบอิเล็กทรอนิกส์เพื่อความแม่นยำ (EPC) (ดูภาพประกอบ L)

เมื่อต้องกระแทกในวัสดุที่ละเอียดอ่อน ระบบ EPC จะทำให้เครื่องเดินขึ้นอย่างช้าๆ และใช้ความเร็วรอบทำงานที่ลดลง

- เลื่อนสวิตช์ **EPC 30** ไปยังตำแหน่งที่ต้องการ



ตำแหน่งสำหรับความเร็วรอบทำงานสูงสุด



ตำแหน่งสำหรับการเดินเครื่องขึ้นอย่างช้าๆ และความเร็วรอบทำงานที่ลดลง

ผลลัพธ์ต่อการทำงานเกินกำลัง

- ▶ หากเครื่องมือที่ใส่อยู่เกิดขัดหรือติดแน่น แรงขับไปยังเพลาส่วนจะสะดุดหยุด เนื่องจากแรงบิดที่เกิดขึ้น ต้องถือเครื่องมือไฟฟ้าให้แน่นด้วยมือทั้งสองข้างและหาที่ยืนที่มั่นคงเสมอ
- ▶ หากเครื่องมือไฟฟ้าติดขัด ให้ปิดเครื่องและคลายเครื่องมือที่ใส่อยู่ให้เป็นอิสระ ในกรณีที่เปิดเครื่องทำงานโดยมีเครื่องมือเจาะติดขัดอยู่ อาจเกิดกำลังบิดสะท้อนอย่างรวดเร็ว

การปิดการทำงานของระบบอย่างรวดเร็ว (Kickback Control)

การปิดการทำงานของระบบอย่างรวดเร็ว (Kickback Control) ช่วยให้สามารถควบคุมเครื่องมือไฟฟ้าได้ดียิ่งขึ้นเมื่อเครื่องมือไฟฟ้าหมุนรอบแกนส่วนอย่างฉับพลันและไม่สามารถคิด เครื่องมือไฟฟ้าจะปิดสวิตช์

เมื่อต้องการ **สตาร์ท** เครื่องอีกครั้ง ให้ปล่อยนิ้วจากสวิตช์เปิด-ปิด จากนั้นจึงกดสวิตช์อีกครั้ง

การปิดการทำงานของระบบอย่างรวดเร็วจะส่งสัญญาณโดยการกระพริบของไฟส่องบริเวณทำงาน **14** ที่เครื่องมือไฟฟ้า

- ▶ **การปิดการทำงานของระบบอย่างรวดเร็วสามารถกระตุ้นให้ทำงานได้เฉพาะเมื่อเครื่องมือไฟฟ้ากำลังวิ่งที่ความเร็วรอบทำงานสูงสุดและสามารถหมุนรอบแกนส่วนได้อย่างอิสระเท่านั้น**

ไฟแสดงการควบคุมอุณหภูมิ

ไฟสัญญาณ LED สีแดงที่เป็นไฟแสดงการควบคุมอุณหภูมิ **19** จะส่งสัญญาณว่าแบตเตอรี่หรือระบบอิเล็กทรอนิกส์ของเครื่องมือไฟฟ้า (เมื่อมีแบตเตอรี่บรรจุอยู่) ไม่อยู่ในพิสัยอุณหภูมิที่ดีที่สุด ในกรณีเช่นนี้ เครื่องมือไฟฟ้าจะทำงานได้ไม่เต็มประสิทธิภาพ

การควบคุมอุณหภูมิของแบตเตอรี่:

- ไฟสัญญาณ LED สีแดง **19** ติดขึ้นอย่างต่อเนื่องหลังใส่แบตเตอรี่เข้าในเครื่องชาร์จ: แบตเตอรี่ไม่อยู่ในพิสัยอุณหภูมิชาร์จระหว่าง 0°C และ 45°C และไม่สามารถชาร์จไฟได้
- ไฟ LED สีแดง **19** กระพริบขึ้นเมื่อกดปุ่ม **21** หรือสวิตช์เปิด-ปิด **10** (ขณะมีแบตเตอรี่ใส่อยู่): แบตเตอรี่อยู่นอกช่วงอุณหภูมิที่อนุญาตให้ทำงาน
- สำหรับอุณหภูมิแบตเตอรี่ที่สูงกว่า 70°C เครื่องมือไฟฟ้าจะดับสวิตช์ลงจนแบตเตอรี่อยู่ในพิสัยอุณหภูมิที่ดีที่สุดอีกครั้ง

การควบคุมอุณหภูมิของระบบอิเล็กทรอนิกส์ของเครื่องมือไฟฟ้า:

- ไฟสัญญาณ LED สีแดง **19** ติดขึ้นอย่างต่อเนื่องเมื่อกดสวิตช์เปิด-ปิด **10**: อุณหภูมิของระบบอิเล็กทรอนิกส์ของเครื่องอยู่ต่ำกว่า 5°C หรือสูงกว่า 75°C
- ที่อุณหภูมิสูงกว่า 90°C ระบบอิเล็กทรอนิกส์ของเครื่องมือไฟฟ้าจะปิดการทำงานจนกว่าอุณหภูมิจะอยู่ในพิสัยอุณหภูมิที่อนุญาตอีกครั้ง

44 | ภาษาไทย

ข้อแนะนำในการทำงาน

การปรับความลึกกรูเจาะ (ดูภาพประกอบ M)

ความลึกกรูเจาะที่ต้องการ **X** สามารถตั้งได้ด้วยก้านวัดความลึก **17**

- กดปุ่มปรับก้านวัดความลึก **15** และสอดก้านวัดความลึกเข้าในด้ามจับเพิ่ม **16**
- ต้องหันด้านที่เป็นลิ้นของก้านวัดความลึก **17** ลงข้างล่าง
- ใส่เครื่องมือเจาะ SDS-plus เข้าในด้ามจับเครื่องมือ SDS-plus **3** จนสุด หากใส่ไม่สุดเครื่องมือเจาะ SDS-plus จะเคลื่อนที่ได้ และจะทำให้ปรับความลึกกรูเจาะได้ไม่ถูกต้อง
- ดันก้านวัดความลึกออกมาจนระยะห่างระหว่างปลายดอกสว่านและปลายก้านวัดความลึกเท่ากับความลึกกรูเจาะที่ต้องการ **X**

การเปลี่ยนตำแหน่งสกัด (Vario-Lock)

ดอกสกัดสามารถล๊อคได้ 36 ตำแหน่ง ในลักษณะนี้ท่านสามารถตั้งท่าทำงานได้ดีที่สุดสำหรับแต่ละรูปแบบการใช้งาน

- ใส่ดอกสกัดเข้าในหัวจับดอก
- สับสวิตช์เลือกวิธีการปฏิบัติงาน **13** ไปที่ตำแหน่ง "Vario-Lock" (ดู "การตั้งวิธีการปฏิบัติงาน" หน้า 42)
- หันหัวจับดอกไปยังตำแหน่งการสกัดที่ต้องการ
- สับสวิตช์เลือกวิธีการปฏิบัติงาน **13** ไปที่ตำแหน่งการสกัดตอนนี้ด้ามจับเครื่องมือจะล๊อค
- สำหรับการสกัด ให้ตั้งทิศทางการหมุนไปที่การหมุนทางขวา

การใส่ดอกไขควง (ดูภาพประกอบ N)

▶ **จับเครื่องมือไฟฟ้าเข้าบนหัวสกรู/น็อตเมื่อเครื่องปิดอยู่เท่านั้น** เครื่องมือที่หมุนอยู่อาจลื่นไถล

เมื่อใช้ดอกไขควงทำงาน ต้องใช้ด้ามจับดอกทั่วไป **31** ที่มีก้าน SDS-plus (อุปกรณ์ประกอบ) รวมด้วย

- ทำความสะอาดปลายก้านปรับ และเคลือบจาระบีบางๆ
- จับด้ามจับดอกทั่วไปหมุนใส่ในด้ามจับเครื่องมือจนเข้าล๊อคโดยอัตโนมัติ
- ดึงด้ามจับดอกทั่วไปเพื่อตรวจสอบการล๊อค
- ใส่ดอกไขควงเข้าในด้ามจับดอกทั่วไป ใช้เฉพาะดอกไขควงที่มีขนาดพอดีกับหัวสกรูเท่านั้น
- เมื่อต้องการถอดด้ามจับดอกทั่วไปออก ให้ดึงปลอกล๊อค **5** ไปด้วยด้านหลัง และถอดด้ามจับดอกทั่วไป **31** ออกจากด้ามจับเครื่องมือ

ตัวหน่วงการสั่นสะเทือน



ตัวหน่วงการสั่นสะเทือนที่รวมเบ็ดเสร็จอยู่ในเครื่องจะลดการสั่นสะเทือนที่เกิดขึ้น

ด้ามจับนิ่มช่วยเพิ่มความปลอดภัยโดยลดการสั่นไถล และด้วยเหตุนี้จึงหยาบจับและควบคุมเครื่องมือไฟฟ้าได้ดีกว่า

ข้อแนะนำในการปฏิบัติต่อแบตเตอรี่อย่างเหมาะสมที่สุด

ปกป้องแบตเตอรี่จากความชื้นและน้ำ

เก็บแบตเตอรี่ไว้ในฟิลิอุมอุณหภูมิระหว่าง -20°C และ 50°C เท่านั้น ตัวอย่าง เช่น ต้องไม่ทิ้งแบตเตอรี่ไว้ในรถยนต์ในฤดูร้อน

ทำความสะอาดของระบายนอากาศเป็นครั้งคราวโดยใช้แปรงขนอ่อนที่แห้งและสะอาด

หลังจากชาร์จแบตเตอรี่แล้ว หากแบตเตอรี่มีช่วงเวลาทำงานสั้นมาก แสดงว่าแบตเตอรี่เสื่อมและต้องเปลี่ยนใหม่ อ่านและปฏิบัติตามข้อสั่งสำหรับการกำจัดขยะ

การบำรุงรักษาและการบริการ

การบำรุงรักษาและการทำความสะอาด

▶ **ก่อนปรับแต่งเครื่อง (ต.ย. เช่น เมื่อบำรุงรักษา เปลี่ยนเครื่องมือ และอื่นๆ) และขณะขนย้ายและเก็บเครื่องเข้าที่ ให้ถอดแบตเตอรี่ออกจากเครื่องมือไฟฟ้า** อันตรายจากการขาดเจ็บหากสวิตช์เปิด-ปิดติดขึ้นอย่างไม่ตั้งใจ

▶ **เพื่อให้ทำงานได้อย่างถูกต้องและปลอดภัย ต้องรักษาเครื่องและช่องระบายอากาศให้สะอาดอยู่เสมอ**

▶ **ควรเปลี่ยนผ้าครอบกันฝุ่นที่ขาดโดยทันที เราขอแนะนำว่า ควรส่งให้ศูนย์บริการหลังการขายเปลี่ยนให้**

- ทำความสะอาดด้ามจับเครื่องมือ **3** ทุกครั้งหลังเลิกใช้งาน

การบริการหลังการขายและคำแนะนำการใช้งาน

ศูนย์บริการหลังการขายของเรายินดีตอบคำถามเกี่ยวกับการบำรุงรักษาและการซ่อมแซมผลิตภัณฑ์ของท่าน รวมทั้งชิ้นส่วนอะไหล่ ภาพแยกชิ้นประกอบและข้อมูลเกี่ยวกับชิ้นส่วนอะไหล่ยังสามารถดูได้ใน:

www.bosch-pt.com

ทีมงานให้คำแนะนำการใช้งานของ บ็อช ยินดีตอบคำถามเกี่ยวกับผลิตภัณฑ์ของเราและอุปกรณ์ประกอบของผลิตภัณฑ์ เมื่อต้องการสอบถามและสั่งซื้ออะไหล่ กรุณาแจ้งหมายเลขสินค้า 10 หลักบนแผ่นป้ายรุ่นของผลิตภัณฑ์ทุกครั้ง

ไทย

บริษัท โรเบิร์ต บ็อช จำกัด
ชั้น 11 ดิกลีเบอร์ตี สแควร์

287 ถนนสีลม บางรัก

กรุงเทพฯ 10500

โทรศัพท์ 02 6393111

โทรสาร 02 2384783

บริษัท โรเบิร์ต บ็อช จำกัด ตู้ ปณ. 2054

กรุงเทพฯ 10501 ประเทศไทย

www.bosch.co.th

ศูนย์บริการซ่อมและฝึกอบรม บ็อช

อาคาร ลาซาลทาวเวอร์ ชั้น G ห้องเลขที่ 2

บ้านเลขที่ 10/11 หมู่ 16

ถนนศรีนครินทร์

ตำบลบางแก้ว อำเภอบางพลี

จังหวัดสมุทรปราการ 10540

ประเทศไทย

โทรศัพท์ 02 7587555

โทรสาร 02 7587525

การขนส่ง

แบตเตอรี่ลิเธียม ไอออน ที่บรรจุอยู่ภายใต้ข้อกำหนดแห่งกฎหมายสินค้าอันตราย ผู้ใช้สามารถขนส่งแบตเตอรี่โดยทางถนน โดยไม่มีข้อจำกัดอื่น

หากขนส่งโดยบุคคลที่สาม (เช่น: การขนส่งทางอากาศ หรือตัวขนส่งสินค้า) ต้องปฏิบัติตามข้อกำหนดพิเศษเกี่ยวกับการบรรจุภัณฑ์และการติดฉลาก ในการจัดเตรียมสิ่งของที่จะจัดส่ง ต้องปรึกษาผู้เชี่ยวชาญสำหรับวัตถุดิบอันตราย

ส่งแบตเตอรี่เมื่อตัวหุ้มไม่ชำรุดเสียหายเท่านั้น ใช้แถบกาวพันปิดหน้าสัมผัสที่เปิดอยู่ และนำแบตเตอรี่ใส่กล่องบรรจุโดยไม่ให้เคลื่อนไปมาในกล่องได้นอกจากนี้กรุณาปฏิบัติตามกฎระเบียบของประเทศซึ่งอาจมีรายละเอียดเพิ่มเติม

การกำจัดขยะ



เครื่อง แบตเตอรี่ที่นำกลับมาชาร์จใหม่ได้ อุปกรณ์ประกอบ และหีบห่อ ต้องนำไปแยกประเภทวัสดุเพื่อนำกลับมาใช้ใหม่โดยไม่ทำลายสภาพแวดล้อม



อย่าทิ้งเครื่องมือไฟฟ้าและแบตเตอรี่/แบตเตอรี่ที่นำกลับมาชาร์จใหม่ได้ ลงในขยะบ้าน!

แบตเตอรี่แพ็ค/แบตเตอรี่:

Li-ion:

กรุณาปฏิบัติตามคำสั่งในบท "การขนส่ง" หน้า 45

ขอสงวนสิทธิ์ในการเปลี่ยนแปลงโดยไม่ต้องแจ้งล่วงหน้า

Bahasa Indonesia

Petunjuk-Petunjuk untuk Keselamatan Kerja

Petunjuk-Petunjuk Umum untuk Perangkat Listrik

⚠ PERHATIKANLAH Bacalah semua petunjuk-petunjuk untuk keselamatan kerja dan petunjuk-petunjuk untuk penggunaan.

Kesalahan dalam menjalankan petunjuk-petunjuk untuk keselamatan kerja dan petunjuk-petunjuk untuk penggunaan dapat mengakibatkan kontak listrik, kebakaran dan/atau luka-luka yang berat.

Simpanlah semua petunjuk-petunjuk untuk keselamatan kerja dan petunjuk-petunjuk lainnya untuk penggunaan di masa depan.

Kata „perkakas listrik“ yang disebutkan di dalam petunjuk-petunjuk untuk keselamatan kerja adalah sebutan untuk perangkat listrik pakai listrik jaringan (dengan kabel) dan untuk perangkat listrik tenaga baterai (tanpa kabel listrik).

Keselamatan kerja di tempat kerja

- ▶ **Jagalah supaya tempat kerja selalu bersih dan terang.** Tempat kerja yang tidak rapi atau tidak terang dapat mengakibatkan terjadinya kecelakaan.
- ▶ **Janganlah menggunakan perangkat listrik di tempat di mana dapat terjadi ledakan, di mana ada cairan, gas**

atau debu yang mudah terbakar. Perangkat listrik dapat memancarkan bunga api yang lalu mengakibatkan debu atau uap terbakar.

- ▶ **Selama menggunakan perangkat listrik, jauhan anak-anak dan orang-orang lain dari tempat kerja.** Jika konsentrasi terganggu, bisa jadi Anda tidak bisa mengendalikan perangkat listrik tersebut.

Keamanan listrik

- ▶ **Steker dari perangkat listrik harus cocok pada stopkontak. Janganlah sekali-kali merubah steker. Janganlah menggunakan steker perantara bersama dengan perangkat listrik yang mempunyai hubungan arde.** Steker yang tidak dirubah dan stopkontak yang cocok mengurangi bahaya terjadinya kontak listrik.
- ▶ **Jagalah supaya badan Anda tidak bersentuhan dengan permukaan yang mempunyai hubungan arde, misalnya pipa-pipa, radiator pemanas ruangan, kompor listrik dan lemari es.** Ada risiko besar terjadi kontak listrik, jika badan Anda mempunyai hubungan arde.
- ▶ **Jagalah supaya perangkat listrik tidak kena hujan atau menjadi basah.** Air yang masuk ke dalam perangkat listrik menambah risiko terjadinya kontak listrik.
- ▶ **Janganlah menyalah gunakan kabel listrik untuk mengangkat dan mengangkut perangkat listrik atau untuk menarik steker dari stopkontak. Jagalah supaya kabel listrik tidak kena panas, minyak, pinggiran yang tajam atau bagian-bagian perangkat yang bergerak.** Kabel listrik yang rusak atau tersangkut menambah risiko terjadinya kontak listrik.
- ▶ **Jika Anda menggunakan perangkat listrik di luar gedung, gunakanlah hanya kabel sambungan yang juga cocok untuk pemakaian di luar gedung.** Penggunaan kabel sambungan yang cocok untuk pemakaian di luar gedung mengurangi risiko terjadinya kontak listrik.
- ▶ **Jika penggunaan perangkat listrik di tempat yang basah tidak bisa dihindarkan, gunakanlah sakelar pengaman terhadap arus penyimpangan.** Penggunaan sakelar pengaman terhadap arus penyimpangan mengurangi risiko terjadinya kontak listrik.

Keselamatan kerja

- ▶ **Berhati-hatilah selalu, perhatikanlah apa yang Anda kerjakan dan bekerjalah dengan seksama jika menggunakan perangkat listrik. Janganlah menggunakan perangkat listrik, jika Anda capai atau berada di bawah pengaruh narkoba, minuman keras atau obat.** Jika Anda sekejap mata saja tidak berhati-hati sewaktu menggunakan perangkat listrik, dapat terjadi luka-luka berat.
- ▶ **Pakailah pakaian dan sarana pelindung dan pakailah selalu kaca mata pelindung.** Dengan memakai pakaian dan sarana pelindung, misalnya kedok anti debu (masker), sepatu tertutup yang tidak licin, helm pelindung atau pemalut telinga sesuai dengan pekerjaan yang dilakukan dengan perangkat listrik, bahaya terjadinya luka-luka dapat dikurangi.
- ▶ **Jagalah supaya perangkat listrik tidak dihidupkan secara tidak disengaja. Perhatikan bahwa perangkat**

listrik dalam penyetelan mati, jika steker disambungkan pada pengadaan listrik dan/atau baterai, jika perkakas listrik diangkat atau dibawa. Jika selama mengangkat perkakas listrik jari Anda berada pada tombol untuk menghidupkan dan mematikan atau perkakas listrik yang dalam penyetelan hidup disambungkan pada listrik, dapat terjadi kecelakaan.

- ▶ **Lepaskan semua perkakas-perkakas penyetelan atau kunci-kunci pas sebelum perkakas listrik dihidupkan.** Perkakas atau kunci yang berada di dalam bagian yang berputar dapat mengakibatkan terjadinya luka-luka.
- ▶ **Aturkan badan sedemikian sehingga Anda bisa bekerja dengan aman. Berdirilah secara mantap dan jagalah selalu keseimbangan.** Dengan demikian Anda bisa mengendalikan perkakas listrik dengan lebih baik, jika terjadi sesuatu dengan tiba-tiba.
- ▶ **Pakailah pakaian yang cocok. Janganlah memakai pakaian yang longgar atau perhiasan. Jagalah supaya rambut, pakaian dan sarung tangan tidak masuk dalam bagian-bagian perkakas yang bergerak.** Pakaian yang longgar, rambut panjang atau perhiasan dapat tersangkut dalam bagian perkakas yang bergerak.
- ▶ **Jika ada kemungkinan untuk memasangkan sarana penghisapan dan penampungan debu, perhatikan bahwa sarana-sarana ini telah dipasangkan dan digunakan dengan betul.** Penggunaan sarana penghisapan bisa mengurangi bahaya yang disebabkan debu.

Penggunaan dan penanganan perkakas listrik dengan seksama

- ▶ **Janganlah membebankan perkakas listrik terlalu berat. Gunakan selalu perkakas listrik yang cocok untuk pekerjaan yang dilakukan.** Dengan perkakas listrik yang cocok Anda bekerja lebih baik dan lebih aman dalam batas-batas kemampuan yang ditentukan.
- ▶ **Janganlah menggunakan perkakas listrik yang tombolnya rusak.** Perkakas listrik yang tidak bisa dihidupkan atau dimatikan, berbahaya dan harus direparasikan.
- ▶ **Tariklah steker dari stopkontak dan/atau keluarkan baterai, sebelum Anda melakukan penyetelan pada perkakas listrik, mengganti alat-alat kerja atau sebelum menyimpan perkakas listrik.** Tindakan keselamatan kerja ini mengurangi bahaya perkakas listrik hidup secara tidak disengaja.
- ▶ **Simpanlah perkakas listrik yang tidak digunakan di luar jangkauan anak-anak. Janganlah mengizinkan orang-orang yang tidak mengenal perkakas listrik ini atau yang belum membaca petunjuk-petunjuk ini, menggunakan perkakas listrik ini.** Perkakas listrik bisa menjadi berbahaya, jika digunakan oleh orang-orang yang tidak mengenalnya.
- ▶ **Rawatlah perkakas listrik dengan seksama. Periksalah, apakah bagian-bagian perkakas listrik yang bergerak berfungsi dengan baik dan tidak tersangkut, apakah ada bagian-bagian yang patah atau rusak sedemikian, sehingga dapat mempengaruhi jalannya perkakas listrik. Biarkan bagian-bagian**

perkakas yang rusak direparasikan, sebelum Anda mulai menggunakan perkakas listrik. Banyak kecelakaan terjadi karena perkakas listrik tidak dirawat dengan seksama.

- ▶ **Perhatikan supaya alat-alat pemotong selalu tajam dan bersih.** Alat-alat pemotong dengan mata-mata pemotong yang tajam dan dirawat dengan seksama tidak mudah tersangkut dan lebih mudah dikendalikan.
- ▶ **Gunakanlah semua perkakas listrik, aksesor, alat-alat kerja dsb. sesuai dengan petunjuk-petunjuk. Perhatikan syarat-syarat kerja dan macam pekerjaan yang dilakukan.** Penggunaan perkakas listrik untuk macam pekerjaan yang tidak cocok dengan kegunaannya bisa mengakibatkan keadaan yang berbahaya.

Penanganan dan penggunaan perkakas-perkakas pakai baterai dengan seksama

- ▶ **Isikan baterai hanya dalam alat-alat pencas baterai yang dianjurkan oleh pabrik.** Jika suatu alat pencas baterai yang cocok untuk mengisi satu macam baterai tertentu, digunakan untuk mengisi baterai-baterai lainnya, ada bahaya terjadinya kebakaran.
- ▶ **Gunakanlah hanya baterai-baterai yang cocok dan khusus untuk masing-masing perkakas listrik.** Penggunaan baterai-baterai lain dapat mengakibatkan terjadinya luka-luka dan kebakaran.
- ▶ **Jika baterai tidak digunakan, jauhkan baterai dari klip untuk kertas, uang logam, kunci, paku, sekrup atau benda-benda kecil dari logam lainnya, yang dapat menjembatani kontak-kontak.** Korsleting antara kontak-kontak baterai dapat mengakibatkan kebakaran atau api.
- ▶ **Jika baterai tidak digunakan dengan betul, dapat keluar cairan dari baterai. Jagalah supaya Anda tidak terkena pada cairan ini. Jika secara tidak disengaja Anda terkena pada cairan ini, cucikan dengan air. Jika cairan tersebut terkena pada mata, selain tindakan di atas, segera hubungi seorang dokter.** Cairan yang keluar dari baterai dapat mengakibatkan gangguan pada kulit atau kebakaran.

Servis

- ▶ **Biarkan perkakas listrik Anda direparasikan hanya oleh orang-orang ahli yang berpengalaman dan hanya dengan menggunakan suku cadang yang asli.** Dengan demikian terjamin keselamatan kerja dengan perkakas listrik ini secara berkesinambungan.

Petunjuk-petunjuk untuk keselamatan kerja dengan palu

- ▶ **Pakailah pemalut telinga.** Jika Anda mendengar suara bising untuk waktu yang lama, daya pendengaran bisa berkurang.
- ▶ **Gunakanlah gagang tambahan-gagang tambahan, jika ini dipasang bersama dengan perkakas listrik.** Perkakas listrik yang tidak bisa dikendalikan bisa mengakibatkan terjadinya luka-luka.
- ▶ **Peganglah perkakas listrik hanya pada pegangan yang terisolir, jika Anda melakukan pekerjaan di mana alat kerjanya bisa terkena pada saluran listrik yang tidak**

terlihat. Sentuhan pada kabel yang bertegangan dapat mengakibatkan bagian-bagian logam dari perkakas listrik juga bertegangan dan lalu mengakibatkan kontak listrik.

► **Gunakanlah alat detektor logam yang cocok untuk mencari kabel dan pipa pengadaaan yang tidak terlihat, atau hubungi perusahaan pengadaaan setempat.**

Sentuhan dengan kabel-kabel listrik bisa mengakibatkan api dan kontak listrik. Pipa gas yang dirusak bisa mengakibatkan ledakan. Pipa air yang dirusak mengakibatkan barang-barang menjadi rusak.

► **Selama digunakan, peganglah perkakas listrik dengan kedua belah tangan dan perhatikanlah supaya Anda berdiri secara teguh.** Perkakas listrik bisa dikendalikan lebih baik jika dipegang dengan kedua belah tangan.

► **Usahakan supaya benda yang dikerjakan tidak goyang.** Benda yang ditahan dalam alat pemegang atau bais lebih mantap daripada benda yang dipegang dengan tangan.

► **Sebelum meletakkan perkakas listrik, tunggulah sampai perkakas berhenti memutar.** Alat kerja bisa tersangkut dan membuat perkakas listrik tidak bisa dikendalikan.

► **Janganlah membuka baterai.** Ada bahaya terjadinya korsleting.

► **Lindungilah baterai terhadap panas, misalnya juga terhadap penyinaran matahari yang lama, api, air dan kelembaban.** Ada bahaya terjadinya ledakan.

► **Jika baterai rusak dan jika baterai digunakan salah, baterai bisa mengeluarkan uap. Biarkan udara segar mengalir masuk dan jika Anda merasa tidak enak badan, pergilah ke dokter.** Uap tersebut bisa mengganggu saluran pernafasan.

► **Gunakanlah baterai hanya bersama dengan perkakas listrik merek Bosch.** Hanya dengan demikian baterai dilindungi terhadap pembebanan terlalu berat yang berbahaya.

► **Baterai dapat rusak akibat benda berujung runcing seperti paku atau obeng atau akibat tekanan yang kuat dari luar.** Hal ini dapat menyebabkan terjadinya hubungan singkat internal dan baterai dapat terbakar, berasap, meledak, atau mengalami panas berlebih.

Penjelasan tentang produk dan daya



Bacalah semua petunjuk-petunjuk untuk keselamatan kerja dan petunjuk-petunjuk untuk penggunaan. Kesalahan dalam menjalankan petunjuk-petunjuk untuk keselamatan kerja dan petunjuk-petunjuk

untuk penggunaan dapat mengakibatkan kontak listrik, kebakaran dan/atau luka-luka yang berat.

Penggunaan alat

Perkakas listrik ini cocok untuk membor dengan hamering pada beton, batu bata dan batu-batuan serta untuk pekerjaan memahat yang ringan. Perkakas listrik ini juga cocok untuk membor tanpa getaran di kayu, logam, bahan keramik dan bahan sintetis. Perkakas listrik dengan pengendalian secara

elektronika dan putaran ke kanan/kiri juga cocok untuk menyekrup.

Bagian-bagian pada gambar

Nomor-nomor dari bagian-bagian perkakas pada gambar sesuai dengan gambar perkakas listrik pada halaman bergambar.

- 1 Cekaman mata bor yang bisa diganti-ganti yang dikunci dan dibuka dengan tangan (GBH 36 VF-LI Plus)
- 2 Cekaman mata bor yang bisa diganti-ganti SDS-plus (GBH 36 VF-LI Plus)
- 3 Pemegang alat kerja SDS-plus
- 4 Kap pelindung debu
- 5 Selubung pengunci
- 6 Ring pengunci cekaman mata bor yang bisa diganti-ganti (GBH 36 VF-LI Plus)
- 7 Peredaman getaran
- 8 Omsakelar arah putaran
- 9 Pegangan (genggaman terisolir)
- 10 Tombol untuk menghidupkan dan mematikan
- 11 Baterai*
- 12 Knop pelepas kunci sakelar pengatur tanpa hamering/tanpa putaran
- 13 Sakelar pengatur tanpa hamering/tanpa putaran
- 14 Lampu
- 15 Tombol untuk mengganti penyetelan pembatas kedalaman lubang
- 16 Gagang tambahan (genggaman terisolir)
- 17 Pembatas kedalaman
- 18 Tombol pelepas baterai
- 19 Simbol penjagaan suhu
- 20 Petanda keberisian baterai
- 21 Tombol untuk petanda keberisian baterai
- 22 Sekrup pengaman untuk cekaman mata bor pakai kunci bergigi (GBH 36 V-LI Plus) *
- 23 Cekaman mata bor pakai kunci bergigi (GBH 36 V-LI Plus) *
- 24 Batang pegangan SDS-plus untuk cekaman mata bor (GBH 36 V-LI Plus) *
- 25 Pemegang cekaman mata bor (GBH 36 VF-LI Plus)
- 26 Alur-alur pengenalan
- 27 Kunci cekaman mata bor (GBH 36 V-LI Plus)
- 28 Selubung depan dari cekaman mata bor yang bisa diganti-ganti yang dikunci dan dibuka dengan tangan (GBH 36 VF-LI Plus)
- 29 Ring pemegang cekaman mata bor yang bisa diganti-ganti yang dikunci dan dibuka dengan tangan (GBH 36 VF-LI Plus)
- 30 Tombol EPC (Electronic Precision Control)
- 31 Pemegang mata obeng bit dengan batang pegangan SDS-plus*

*Aksesori yang ada pada gambar atau yang dijelaskan, tidak termasuk pasokan standar. Semua aksesori yang ada bisa Anda lihat dalam program aksesori Bosch.

48 | Bahasa Indonesia

Data teknis

Mesin bor pakai hamering		GBH 36 V-Li Plus	GBH 36 VF-Li Plus
Nomor model		3 611 J06 0..	3 611 J07 0..
Pengendalian kecepatan putaran		●	●
Tanpa putaran		●	●
Putaran ke kanan/kiri		●	●
Cekaman mata bor yang bisa diganti-ganti		-	●
Tegangan nominal	V=	36	36
Masukan nominal	W	600	600
Banyaknya getaran	min ⁻¹	0-4200	0-4200
Daya tiap-tiap getar sesuai dengan EPTA-Procedure 05/2009	J	3,2	3,2
Kecepatan putaran nominal			
- putaran ke kanan	min ⁻¹	0-940	0-940
- putaran ke kiri	min ⁻¹	0-930	0-930
Pemegang alat kerja		SDS-plus	SDS-plus
Diameter leher sumbu	mm	50	50
Diameter mata bor maks.:			
- Beton	mm	28	28
- Tembok (dengan mata bor pipa)	mm	82	82
- Baja	mm	13	13
- Kayu	mm	30	30
Berat sesuai dengan EPTA-Procedure 01:2014	kg	4,0/4,5 ¹⁾	4,1/4,6 ¹⁾
Suhu sekitar yang diizinkan			
- saat melakukan pengisian	°C	0... +45	0... +45
- selama pengoperasian ²⁾ dan selama penyimpanan	°C	-20... +50	-20... +50
Baterai yang disarankan		GBA 36V ...	GBA 36V ...
Pengisi daya baterai yang direkomendasikan		AL36.. GAL 36..	AL36.. GAL 36..

1) tergantung dari baterai yang digunakan

2) daya dibatasi pada suhu < 0 °C

Data teknis diukur dengan aki yang ikut dipasang.

Cara memasang

Cara mengisi baterai (lihat gambar A)

► **Gunakanlah hanya alat-alat penceas baterai yang disebutkan pada halaman aksesoris.** Hanya alat-alat penceas baterai ini yang dicocokkan pada baterai ion-Li yang diperlukan bagi perkakas listrik Anda.

Petunjuk: Baterai dipasang dalam keadaan diisi sebagian. Untuk menjamin daya penuh dari baterai, sebelum penggunaannya untuk pertama kalinya, isikanlah baterai sampai penuh sama sekali di dalam alat penceas baterai.

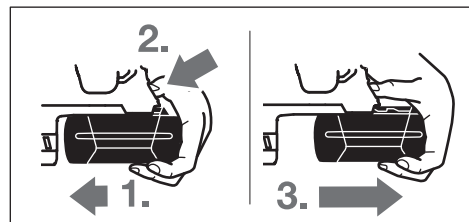
Baterai ion-Li bisa diisi sewaktu-waktu, tanpa mengurangi daya tahannya. Baterai tidak menjadi rusak jika pengisiannya dihentikan untuk sementara waktu.

Baterai ion-Li dilindungi terhadap pengosongan sama sekali oleh „Electronic Cell Protection (ECP)“. Jika baterai kosong perkakas listrik dimatikan oleh pengaman: alat kerja berhenti memutar.

► **Lepaskan tekanan pada tombol untuk menghidupkan dan mematikan mesin, jika perkakas listrik mati secara otomatis.** Jika tombol ditekan terus, baterai bisa menjadi rusak.

Cara mengeluarkan baterai

Baterai **11** dilengkapi dengan penguncian dua tahapan, yang dimaksudkan untuk melindungi baterai supaya tidak terjatuh ke luar jika tombol pelepas baterai **18** tertekan tanpa disengaja. Selama baterai berada di dalam perkakas listrik, baterai ditahan dalam kedudukannya oleh satu fer.



Untuk mengeluarkan aki **11**:

- Tekankan aki dalam arah ke kaki dari perkakas listrik (1.) dan pada waktu yang sama tekankan tombol pelepas aki **18** (2.).
- Tarikkan aki ke luar dari perkakas listrik sampai terlihat satu garis berwarna merah (3.).
- Tekankan sekali lagi tombol pelepas aki **18** dan tarikkan aki sampai ke luar sama sekali.

Petanda keberisian baterai

Ketiga lampu petanda LED hijau dari petanda keberisian baterai **20** menunjukkan keadaan keberisian baterai **11**. Demi keselamatan kerja, keadaan keberisian baterai hanya bisa diperiksa selama perkakas listrik dalam keadaan berhenti.

- Tekan tombol **21**, untuk memeriksa keadaan keberisian aki (juga bisa dilakukan jika aki tidak berada di dalam perkakas listrik). Setelah kira-kira 5 detik petanda keberisian aki mati dengan sendirinya.

LED	Kapasitas
Lampu menetap 3 x hijau	$\geq 2/3$
Lampu menetap 2 x hijau	$\geq 1/3$
Lampu menetap 1 x hijau	$< 1/3$
Lampu berkedip-kedip 1 x hijau	cadangan

Jika setelah tombol **21** ditekan dan tidak ada lampu petanda LED yang menyala, baterai rusak dan harus digantikan.

Selama pengisian aki, ketiga lampu petanda LED hijau menyala berturut-turut dan mati sebentar. Aki terisi penuh jika ketiga lampu petanda LED hijau menyala menetap. Kira-kira 5 menit setelah aki terisi penuh, ketiga lampu petanda LED hijau mati dengan sendirinya.

Gagang tambahan

- **Gunakanlah perkakas listrik hanya dengan gagang tambahan 16.**

Memutar gagang tambahan (lihat gambar B)

Anda bisa memutar gagang tambahan **16** ke kedudukan yang cocok dengan macam pekerjaan, supaya posisi kerja mantap dan tidak begitu melelahkan.

- Putarkan pegangan bagian bawah dari gagang tambahan **16** dalam arah yang berlawanan dengan jalannya jarum jam dan putarkan gagang tambahan **16** ke kedudukan yang dikehendaki. Setelah itu pegangan bagian bawah dari gagang tambahan **16** dikencangkan dengan cara memutarannya dalam arah jalannya jarum jam.

Perhatikanlah supaya pita pemegang dari gagang tambahan berada dalam alur di perumahan yang khusus untuk ini.

Memilih cekaman mata bor dan alat kerja

Untuk pekerjaan membor dengan hamering dan memahat Anda harus menggunakan alat kerja-alat kerja SDS-plus yang dipasangkan dalam cekaman mata bor SDS-plus.

Untuk membor tanpa getaran di kayu, logam, keramik dan bahan sintetik serta untuk menyekrup diperlukan alat kerja-alat kerja tanpa SDS-plus (misalnya mata bor dengan gagang berbentuk silinder). Untuk alat kerja-alat kerja ini diperlukan

cekaman mata bor yang dikunci dan dibuka dengan tangan atau cekaman mata bor pakai kunci bergigi.

Memasang/Melepas Cekam Praktis (GBH 36 V-LI Plus)

Untuk bekerja dengan alat kerja-alat kerja tanpa SDS-plus (misalnya mata bor dengan gagang berbentuk silinder) harus dipasangkan cekaman mata bor yang cocok (cekaman mata bor pakai kunci bergigi atau cekaman mata bor yang dikunci dan dibuka dengan tangan, aksesoris).

Memasang cekaman mata bor pakai kunci bergigi (lihat gambar C)

- Ulirkan batang pegangan SDS-plus untuk cekaman mata bor **24** dalam cekaman mata bor pakai kunci bergigi **23**. Kencangkan cekaman mata bor pakai kunci bergigi **23** dengan sekrup pengaman **22**. **Perhatikanlah bahwa sekrup pengaman mempunyai ulir kiri.**

Memasukkan cekaman mata bor pakai kunci bergigi (lihat gambar C)

- Bersihkan ujung pegang dari batang pegangan cekaman mata bor dan lumasinya sedikit.
- Pasangkan cekaman mata bor pakai kunci bergigi dengan batang ke dalam pemegang alat kerja dengan cara memutarnya sampai mengancing sendiri.
- Periksa apakah sudah terkunci dengan cara menarik cekaman mata bor pakai kunci bergigi.

Melepaskan cekaman mata bor pakai kunci bergigi

- Geserkan selubung pengunci **5** ke belakang dan lepaskan cekaman mata bor pakai kunci bergigi **23**.

Melepaskan/memasang cekaman mata bor yang bisa diganti-ganti (GBH 36 VF-LI Plus)

Cekaman mata bor yang bisa diganti-ganti SDS-plus **2** bisa diganti dengan mudahnya dengan cekaman mata bor yang bisa diganti-ganti yang dikunci dan dibuka dengan tangan **1** yang ikut dipasok bersama dengan perkakas listrik.

Melepaskan cekaman mata bor yang bisa diganti-ganti (lihat gambar D)

- Tariklah ring pengunci dari cekaman mata bor yang bisa diganti-ganti **6** ke belakang, tahankannya dalam kedudukan ini dan tariklah cekaman mata bor yang bisa diganti-ganti SDS-plus **2** atau cekaman mata bor yang bisa diganti-ganti yang dikunci dan dibuka dengan tangan **1** ke depan sampai lepas.
- Jagalah supaya cekaman mata bor setelah dilepaskan tidak menjadi kotor.

Memasang cekaman mata bor yang bisa diganti-ganti (lihat gambar E)

- **Gunakanlah hanya perlengkapan yang asli dari Bosch yang khusus untuk model bersangkutan dan perhatikanlah jumlah dari alur-alur pengenal 26. Hanya cekaman mata bor yang bisa diganti-ganti dengan dua atau tiga alur pengenal yang diizinkan penggunaannya.** Jika untuk perkakas listrik ini digunakan cekaman mata bor yang bisa diganti-ganti yang tidak cocok, alat kerja bisa copot selama penggunaannya.

50 | Bahasa Indonesia

- Bersihkan cekaman mata bor yang bisa diganti-ganti sebelum memasangkannya dan lumasi sedikit ujung pegangannya.
- Peganglah cekaman mata bor yang bisa diganti-ganti SDS-plus **2** atau cekaman mata bor yang bisa diganti-ganti yang dikunci dan dibuka dengan tangan **1** sehingga berada di dalam genggam tangan. Dorongkan cekaman mata bor yang bisa diganti-ganti pada pemegang cekaman mata bor **25** sambil memutarannya, sampai jelas terdengar bunyi mengancing.
- Cekaman mata bor yang bisa diganti-ganti mengancing sendiri. Periksalah apakah sudah terkunci dengan cara menarik cekaman mata bor yang bisa diganti-ganti.
- Bukakan cekaman mata bor pakai kunci bergigi **23** dengan cara memutarannya, sampai alat kerja bisa dipasangkan. Pasangkan alat kerja.
- Masukkan kunci cekaman mata bor ke dalam lubang-lubang yang khusus untuknya di cekaman mata bor pakai kunci bergigi **23** dan kencangkan alat kerja secara rata.
- Putarkan sakelar pengatur tanpa hamering/tanpa putaran **13** ke posisi „membor“.

Mengeluarkan alat kerja (lihat gambar I)

- Putarkan selubung dari cekaman mata bor pakai kunci bergigi **23** dengan menggunakan kunci cekaman mata bor dalam arah yang berlawanan dengan jalannya jarum jam hingga alat kerja bisa dikeluarkan.

Mengganti alat kerja (tanpa SDS-plus) (GBH 36 VF-LI Plus)**Memasang alat kerja (lihat gambar J)**

Petunjuk: Janganlah menggunakan alat kerja-alat kerja tanpa SDS-plus untuk membor pakai hamering atau untuk memahat! Alat kerja-alat kerja tanpa SDS-plus dan cekaman mata bornya menjadi rusak jika digunakan untuk membor pakai hamering dan memahat.

- Pasangkan cekaman mata bor yang bisa diganti-ganti yang dikunci dan dibuka dengan tangan **1**.
- Tahankan ring pemegang **29** dari cekaman mata bor yang bisa diganti-ganti yang dikunci dan dibuka dengan tangan. Buka pemegang alat kerja dengan cara memutar selubung bagian depan **28** sedemikian sampai alat kerja bisa dimasukkan. Tahkan ring pemegang **29** dan putarkan selubung bagian depan **28** secara kencang dalam arah panah sampai jelas terdengar bunyi ceklek-ceklek.
- Periksalah apakah kedudukannya sudah kencang dengan cara menarik alat kerja.

Petunjuk: Setelah pemegang alat kerja dibuka sampai batas, bisa jadi sewaktu pemegang alat kerja ditutup terdengar bunyi ceklek-ceklek dan pemegang alat kerja tidak menutup. Dalam hal demikian, putarkan selubung bagian depan **28** satu kali dalam arah yang berlawanan dengan arah panah. Setelah itu pemegang alat kerja bisa ditutup kembali.

- Putarkan sakelar pengatur tanpa hamering/tanpa putaran **13** ke posisi „membor“.

Mengeluarkan alat kerja (lihat gambar K)

- Tahankan ring pemegang **29** dari cekaman mata bor yang bisa diganti-ganti yang dikunci dan dibuka dengan tangan. Buka pemegang alat kerja dengan cara memutar selubung bagian depan **28** dalam arah panah sampai alat kerja bisa dikeluarkan.

Mesin penghisap debu dengan GDE 16 Plus (aksesori)

- ▶ Debu dari bahan-bahan seperti misalnya cat yang mengandung timbel (timah hitam), beberapa jenis kayu, bahan mineral dan logam bisa berbahaya bagi kesehatan. Menyentuh atau menghirup debu-debu ini bisa mengakibatkan reaksi alergi dan/atau penyakit saluran pernafasan dari orang yang menggunakan mesin atau orang yang berada di dekatnya.

Mengganti alat kerja

Kap pelindung debu **4** menghindarkan debu masuk ke dalam pemegang alat kerja selama mesin digunakan. Selama memasang alat kerja, perhatikanlah supaya kap pelindung debu **4** tidak menjadi rusak.

- ▶ **Kap pelindung debu yang rusak harus segera diganti. Kami anjurkan supaya pekerjaan ini dilakukan oleh suatu Service Center Bosch.**

Mengganti alat kerja (SDS-plus)**Memasang alat kerja SDS-plus (lihat gambar F)**

Dengan cekaman mata bor SDS-plus Anda bisa memasangkan alat kerja dengan mudah dan cepat dan tidak diperlukan perkakas lainnya untuk membantu.

- GBH 36 VF-LI Plus: Pasangkan cekaman mata bor yang bisa diganti-ganti SDS-plus **2**.
- Bersihkan ujung pegang dari alat kerja dan lumasinya sedikit.
- Masukkan alat kerja ke dalam pemegang alat kerja sambil memutarannya sampai mengancing sendiri.
- Periksalah apakah alat kerja sudah terkunci dengan cara menariknya.

Alat kerja SDS-plus harus bisa bergerak dengan bebas. Hal ini menimbulkan penyimpangan putaran sewaktu perkakas listrik berjalan tanpa beban. Ini tidak mempengaruhi ketepatan lubang bor, karena mata bor memusat sendiri sewaktu membor.

Melepaskan alat kerja SDS-plus (lihat gambar G)

- Dorongkan selubung pengunci **5** ke belakang dan lepaskan alat kerja.

Mengganti alat kerja (tanpa SDS-plus) (GBH 36 V-LI Plus)**Memasang alat kerja (lihat gambar H)**

Petunjuk: Janganlah menggunakan alat kerja-alat kerja tanpa SDS-plus untuk membor pakai hamering atau untuk memahat! Alat kerja-alat kerja tanpa SDS-plus dan cekaman mata bornya menjadi rusak jika digunakan untuk membor pakai hamering dan memahat.

- Pasangkan cekaman mata bor pakai kunci bergigi **23** (lihat „Memasang/Melepas Cekam Praktis“, halaman 49).

Beberapa debu tertentu seperti misalnya debu kayu pohon quercus atau pohon fagus silvatica dianggap bisa mengakibatkan penyakit kanker, terutama dalam campuran dengan bahan-bahan tambahan untuk pengolahan kayu (kromat, obat pengawet kayu). Bahan-bahan yang mengandung asbestos hanya boleh dikerjakan oleh orang-orang yang ahli.

- Gunakanlah hanya penghisap debu yang cocok untuk menghisap bahan yang dikerjakan.
- Perhatikanlah supaya ada pertukaran udara di tempat kerja.
- Kami anjurkan supaya Anda memakai kedok anti debu dengan saringan (filter) kelas P2.

Taatilah peraturan-peraturan untuk bahan-bahan yang dikerjakan yang berlaku di negara Anda.

► **Hindari debu yang banyak terkumpul di tempat kerja.** Debu dapat menyulut dengan mudahnya.

Diperlukan GDE 16 Plus (aksesori) untuk mesin penghisap debu.

Mesin penghisap debu harus cocok untuk menghisap bahan yang dikerjakan.

Gunakanlah mesin penghisap khusus jika debu yang terjadi sangat berbahaya bagi kesehatan, bisa mengakibatkan penyakit kanker atau sangat kering.

Penggunaan

Cara penggunaan

Memasak baterai

- Setelkan omsakelar arah putaran **8** pada posisi tengah, untuk melindungi perkakas listrik supaya tidak bisa dihidupkan secara tidak disengaja.
- Dorongkan baterai **11** yang sudah dicas dari belakang ke dalam kaki dari perkakas listrik. Tekan baterai sama sekali ke dalam kaki, sampai garis berwarna merah tidak terlihat lagi dan baterai terkancing secara kencang.

Menyetel macam pekerjaan

Dengan sakelar pengatur tanpa hamering/tanpa putaran **13** Anda bisa menyetelkan cara berfungsi dari perkakas listrik.

Petunjuk: Tukarkan cara berfungsi dari perkakas listrik hanya jika perkakas listrik dalam penyetelan mati! Jika tidak, perkakas listrik bisa menjadi rusak.

- Untuk menukar cara berfungsi, tekan knop pelepas kunci **12** dan putarkan sakelar pengatur tanpa hamering/tanpa putaran **13** ke posisi yang dikehendaki, sampai jelas terdengar bahwa sakelar terkunci.



Posisi untuk **membor pakai hamering** di beton atau batu



Posisi untuk **membor** tanpa getaran di kayu, logam, keramik dan bahan sintetik serta untuk menyekrup.




Posisi **Vario-Lock** untuk menyetel kedudukan pahat
Pada posisi ini sakelar pengatur tanpa hamering/tanpa putaran **13** tidak mengunci.




Posisi untuk **memahat**

Menyetel arah putaran

Dengan omsakelar arah putaran **8** Anda bisa merubah arah putaran dari perkakas listrik. Akan tetapi ini tidak mungkin jika tombol untuk menghidupkan dan mematikan mesin **10** sedang ditekan.

Arah kanan: Putar tombol selektor **8** sampai ke posisi berhenti .

Arah kiri: Putar tombol selektor **8** sampai ke posisi berhenti .

Setelkan selalu arah putaran ke kanan pada waktu membor pakai hamering, membor dan memahat.

Menghidupkan/mematikan

Untuk menghemat energi, hidupkan perkakas listrik hanya jika Anda menggunakannya.

- Untuk **menghidupkan** perkakas listrik, tekan tombol untuk menghidupkan dan mematikan **10**.

Pada waktu menghidupkan perkakas listrik untuk pertama kalinya, bisa jadi perkakas listrik tidak langsung jalan karena elektronika dari perkakas listrik harus melakukan konfigurasi dahulu.

- Untuk **mematikan**, lepaskan tombol untuk menghidupkan dan mematikan **10**.

Menyetel kecepatan putaran/banyaknya getaran

Anda bisa mengatur kecepatan putaran/ banyaknya getaran pada perkakas listrik yang sedang berjalan tanpa tingkatan, dengan cara menambah atau mengurangi tekanan pada tombol untuk menghidupkan dan mematikan **10**.

Tekanan yang ringan pada tombol untuk menghidupkan dan mematikan **10** mengakibatkan kecepatan putaran yang rendah/banyaknya getaran yang sedikit. Jika tekanan ditambah, kecepatan putaran/banyaknya getaran bertambah pula.

Electronic Precision Control (EPC) (lihat gambar L)

EPC mendukung Anda dalam pengerjaan pada bahan sensitif dengan bergerak secara lambat dan pengurangan kecepatan operasi.

- Putar tombol EPC **30** ke posisi yang diinginkan.

52 | Bahasa Indonesia



Posisi untuk kecepatan operasi maksimum



Posisi bergerak dengan lambat dan mengurangi kecepatan operasi

Kopling pengaman

- ▶ **Jika alat kerja terjepit atau tersangkut, maka daya penggerak ke sumbu utama berhenti. Peganglah perkakas listrik selalu dengan kedua belah tangan dan berdirilah secara mantap, berhubung dalam hal demikian terjadi momen yang besar.**
- ▶ **Matikan perkakas listrik dan lepaskan alat kerja, jika perkakas listrik memblok. Jika perkakas listrik dengan mata bor yang memblok dihidupkan, terjadi momen reaksi yang tinggi.**

Penonaktifan cepat (Kickback Control)

Fungsi penonaktifan cepat (Kickback Control) memberikan kontrol yang lebih baik pada perkakas listrik. Perkakas ini akan mati secara otomatis jika perkakas listrik berputar pada poros bor secara mendadak dan tak terduga.

- Untuk **menghidupkan kembali perkakas listrik**, lepaskan tombol On/Off, dan kemudian tekan kembali.

Penonaktifan cepat ini akan ditunjukkan melalui berkedipnya lampu kerja **14** pada perkakas listrik.

- ▶ **Fungsi penonaktifan cepat hanya dapat terpicu jika perkakas listrik bekerja di kecepatan putaran maksimal dan dapat berputar secara bebas pada poros bor.**

Petanda penjagaan suhu

Lampu petanda LED merah dari petanda penjagaan suhu **19** menunjukkan bahwa aki atau elektronika dari perkakas listrik (selama aki terpasang) tidak berada pada tingkatan suhu yang optimal. Dalam keadaan ini, perkakas listrik tidak jalan atau tidak jalan dengan daya penuh.

Penjagaan suhu aki:

- Lampu petanda LED merah **19** menyala menetap jika aki dimasukkan ke dalam alat perncas baterai: Suhu aki berada di luar tingkatan suhu untuk pengisian antara 0 °C dan 45 °C dan tidak bisa diisi.
- LED berwarna merah **19** akan berkedip saat Anda menekan tombol **21** atau tombol on/off **10** (dengan posisi baterai terpasang): Temperatur baterai berada di luar rentang temperatur pengoperasian yang diperbolehkan.
- Jika suhu aki di atas 70 °C perkakas listrik mati dengan sendirinya, sampai aki berada pada tingkatan suhu yang optimal.

Penjagaan suhu dari elektronika perkakas listrik:

- Lampu petanda LED merah **19** menyala menetap jika tombol untuk menghidupkan dan mematikan **10** ditekan: suhu dari elektronika perkakas listrik kurang dari 5 °C atau lebih dari 75 °C.

- Pada suhu di atas 90 °C elektronika dari perkakas listrik mati, sampai elektronika dari perkakas listrik kembali berada pada tingkatan suhu untuk kerja yang diizinkan.

Petunjuk-petunjuk untuk pemakaian

Menyetel kedalaman pemboran (lihat gambar M)

Dengan pembatas kedalaman lubang **17** kedalaman pemboran **X** bisa disetelkan.

- Tekan tombol untuk mengganti penyetelan pembatas kedalaman lubang **15** dan pasangkan pembatas kedalaman lubang pada gagang tambahan **16**. Sisi yang bergerigi dari pembatas kedalaman lubang **17** harus menghadap ke bawah.
- Dorongkan alat kerja SDS-plus ke dalam pemegang alat kerja SDS-plus **3** sampai batas. Alat kerja SDS-plus yang bergoyang bisa menyebabkan penyetelan kedalaman lubang yang tidak betul.
- Tarik pembatas kedalaman lubang sedemikian, sampai jarak antara pucuk mata bor dan pucuk pembatas kedalaman lubang adalah kedalaman pemboran **X** yang dikehendaki.

Mengganti kedudukan pahat (Vario-Lock)

Pahat bisa dikuncikan pada 36 posisi. Dengan demikian bisa disetelkan posisi kerja yang paling cocok.

- Masukkan pahat ke dalam pemegang alat kerja.
- Putarkan sakelar pengatur tanpa hamering/tanpa putaran **13** ke posisi „Vario-Lock“ (lihat „Menyetel macam pekerjaan“, halaman 51).
- Putarkan alat kerja dalam posisi pahat yang diperlukan.
- Putarkan sakelar pengatur tanpa hamering/tanpa putaran **13** ke posisi „memahat“. Dengan demikian pemegang alat kerja terkancing.
- Untuk memahat, setelkan arah putaran ke kanan.

Memasang mata obeng bit (lihat gambar N)

- ▶ **Pasangkan perkakas listrik pada mur/sekrup hanya jika perkakas listrik dalam keadaan mati.** Alat kerja-alat kerja yang berputar bisa meleset.

Untuk penggunaan mata obeng bit diperlukan pemegang mata obeng bit **31** dengan batang pegangan SDS-plus (aksesori).

- Bersihkan ujung pegang dari batang pegangan cekaman mata bor dan lumasnya sedikit.
- Pasangkan pemegang mata obeng bit dalam pemegang alat kerja sambil memutarannya, sampai mengancing sendiri.
- Periksa apakah sudah mengancing dengan cara menarik pemegang mata obeng bit.
- Pasangkan satu mata obeng bit dalam pemegang mata obeng bit. Gunakanlah hanya mata obeng bit yang cocok pada kepala sekrup.
- Untuk melepaskan pemegang mata obeng bit, geserkan selubung pengunci **5** ke belakang dan keluarkan pemegang mata obeng bit **31** dari pemegang alat kerja.

Peredaman getaran

Peredaman getaran yang terpadu mengurangi getaran yang terjadi.

Gagang empuk membuat supaya pegangan lebih mantap dan dengan demikian meningkatkan kecekatan dalam pemakaian perkakas listrik ini.

Petunjuk-petunjuk untuk penanganan baterai yang optimal

Lindungi baterai terhadap kelembaban dan air.

Simpkanlah baterai hanya pada tingkatan suhu antara -20 °C dan 50 °C. Janganlah membiarkan baterai di dalam mobil, misalnya selama musim panas.

Bersihkanlah lubang-lubang ventilasi dari baterai dengan kuas yang lunak, bersih dan kering secara berkala.

Jika setelah diisi waktu pemakaian baterai semakin pendek, ini petanda bahwa baterai sudah aus dan harus diganti.

Perhatikanlah petunjuk-petunjuk untuk membuang.

Rawatan dan servis**Rawatan dan kebersihan**

- ▶ **Sebelum melakukan semua pekerjaan pada perkakas listrik (misalnya merawat, mengganti alat kerja dsb.) serta selama transpor atau penyimpanan, keluarkanlah baterai dari perkakas listrik.** Jika tombol untuk menghidupkan dan mematikan digerakkan tanpa sengaja, bisa terjadi luka-luka.
- ▶ **Perkakas listrik dan lubang ventilasi harus selalu dibersihkan supaya perkakas bisa digunakan dengan baik dan aman.**
- ▶ **Kap pelindung debu yang rusak harus segera diganti. Kami anjurkan supaya pekerjaan ini dilakukan oleh suatu Service Center Bosch.**
- Bersihkan pemegang alat kerja 3 setiap kali setelah digunakan.

Layanan pasca beli dan konseling terkait pengoperasian

Layanan pasca beli Bosch menjawab semua pertanyaan Anda terkait reparasi dan maintenance serta suku cadang produk ini. Gambar tiga dimensi dan informasi terkait suku cadang dapat Anda lihat di:

www.bosch-pt.com

Tim konseling pengoperasian dari Bosch dengan senang hati membantu Anda, jika Anda hendak bertanya tentang produk-produk kami dan aksesorisnya.

Jika Anda hendak menanyakan sesuatu atau memesan suku cadang, sebutkan selalu nomor model yang terdiri dari 10 angka dan tercantum pada label tipe produk.

Indonesia

PT Robert Bosch
Palma Tower 10th Floor
Jl. RA Kartini II-S Kaveling 6 Sek II
Pondok Pinang, Kebayoran Lama
Jakarta Selatan 12310
Tel.: (021) 3005 5800
Fax: (021) 3005 5801
E-Mail: boschpowertools@id.bosch.com
www.bosch-pt.co.id

Transpor

Pada baterai-baterai ion-Li yang digunakan diterapkan persyaratan terkait peraturan-peraturan tentang bahan-bahan yang berbahaya. Baterai-baterai dapat diangkat oleh penggunaannya di jalanan tanpa harus memenuhi syarat-syarat tertentu.

Pada pengiriman oleh pihak ketiga (misalnya transportasi dengan pesawat udara atau perusahaan ekspedisi) harus ditaati syarat-syarat terkait kemasan dan pemberian tanda. Dalam hal ini, untuk mempersiapkan transportasi harus diminta dukungan seorang ahli bahan-bahan berbahaya.

Kirimkan baterai hanya jika rumahnya tidak rusak. Kontak-kontak yang terbuka harus ditutupi dengan pita perekat dan kemasan baterai sedemikian, sehingga baterai tidak bergerak-gerak di dalam kemasan.

Taatilah peraturan-peraturan nasional lainnya yang mungkin lebih rinci yang berlaku di negara Anda.

Cara membuang

Semua perkakas listrik, baterai, aksesoris dan kemasan sebaiknya didaur ulang sesuai dengan upaya untuk melindungi lingkungan hidup.



Janganlah membuang perkakas listrik, baterai isi ulang/baterai ke dalam sampah rumah tangga!

Baterai isi ulang/Baterai:**Ion-Li:**

Perhatikanlah petunjuk-petunjuk dalam bab „Transpor“, halaman 53.

Perubahan dapat terjadi tanpa pemberitahuan sebelumnya.

Tiếng Việt**Các Nguyên Tắc An Toàn****Cảnh báo tổng quát cách sử dụng an toàn dụng cụ điện cầm tay**

⚠ CẢNH BÁO **Đọc kỹ mọi cảnh báo an toàn và hướng dẫn.** Không tuân thủ mọi cảnh báo và hướng dẫn được liệt kê dưới đây có thể bị điện giật, gây cháy và/hay bị thương tật nghiêm trọng.

54 | Tiếng Việt

Hãy giữ tất cả tài liệu về cảnh báo và hướng dẫn để tham khảo về sau.

Thuật ngữ “dụng cụ điện cầm tay” trong phần cảnh báo là để cập đến sự sử dụng dụng cụ điện cầm tay của bạn, loại sử dụng điện nguồn (có dây cắm điện) hay vận hành bằng pin (không dây cắm điện).

Khu vực làm việc an toàn

- ▶ **Giữ nơi làm việc sạch và đủ ánh sáng.** Nơi làm việc bừa bộn và tối tăm dễ gây ra tai nạn.
- ▶ **Không vận hành dụng cụ điện cầm tay trong môi trường dễ gây nổ, chẳng hạn như nơi có chất lỏng dễ cháy, khí đốt hay rác.** Dụng cụ điện cầm tay tạo ra các tia lửa nên có thể làm rác bén cháy hay bốc khói.
- ▶ **Không để trẻ em hay người đến xem đứng gần khi vận hành dụng cụ điện cầm tay.** Sự phân tâm có thể gây ra sự mất điều khiển.

An toàn về điện

- ▶ **Phích cắm của dụng cụ điện cầm tay phải thích hợp với ổ cắm.** Không bao giờ được cải biến lại phích cắm dưới mọi hình thức. Không được sử dụng phích tiếp hợp nối tiếp đất (dây mát). Phích cắm nguyên bản và ổ cắm đúng loại sẽ làm giảm nguy cơ bị điện giật.
- ▶ **Tránh không để thân thể tiếp xúc với đất hay các vật có bề mặt tiếp đất như đường ống, lò sưởi, hàng rào và tủ lạnh.** Có nhiều nguy cơ bị điện giật hơn nếu cơ thể bạn bị tiếp hay nối đất.
- ▶ **Không được để dụng cụ điện cầm tay ngoài mưa hay ở tình trạng ẩm ướt.** Nước vào máy sẽ làm tăng nguy cơ bị điện giật.
- ▶ **Không được lạm dụng dây dẫn điện.** Không bao giờ được nắm dây dẫn để xách, kéo hay rút phích cắm dụng cụ điện cầm tay. Không để dây gần nơi có nhiệt độ cao, dầu nhớt, vật nhọn bén hay bộ phận chuyển động. Làm hỏng hay cuốn rối dây dẫn làm tăng nguy cơ bị điện giật.
- ▶ **Khi sử dụng dụng cụ điện cầm tay ngoài trời, dùng dây nối thích hợp cho việc sử dụng ngoài trời.** Sử dụng dây nối thích hợp cho việc sử dụng ngoài trời làm giảm nguy cơ bị điện giật.
- ▶ **Nếu việc sử dụng dụng cụ điện cầm tay ở nơi ẩm ướt là không thể tránh được, dùng thiết bị ngắt mạch tự động (RCD) bảo vệ nguồn.** Sử dụng thiết bị ngắt mạch tự động RCD làm giảm nguy cơ bị điện giật.

An toàn cá nhân

- ▶ **Hãy tỉnh táo, biết rõ mình đang làm gì và hãy sử dụng ý thức khi vận hành dụng cụ điện cầm tay.** Không sử dụng dụng cụ điện cầm tay khi đang mệt mỏi hay đang bị tác động do chất gây nghiện, rượu hay được phẩm gây ra. Một

thoáng mắt tập trung khi đang vận hành dụng cụ điện cầm tay có thể gây thương tích nghiêm trọng cho bản thân.

- ▶ **Sử dụng trang bị bảo hộ cá nhân. Luôn luôn đeo kính bảo vệ mắt.** Trang bị bảo hộ như khẩu trang, giày chống trượt, nón bảo hộ, hay dụng cụ bảo vệ tai khi được sử dụng đúng nơi đúng chỗ sẽ làm giảm nguy cơ thương tật cho bản thân.
- ▶ **Phòng tránh máy khởi động bất ngờ. Bảo đảm công tắc máy ở vị trí tắt trước khi cắm vào nguồn điện và/hay lắp pin vào, khi nhắc máy lên hay khi mang xách máy.** Ngang ngón tay vào công tắc máy để xách hay kích hoạt dụng cụ điện cầm tay khi công tắc ở vị trí mở để dẫn đến tai nạn.
- ▶ **Lấy mọi chìa hay khóa điều chỉnh ra trước khi mở điện dụng cụ điện cầm tay.** Khóa hay chìa còn gắn dính vào bộ phận quay của dụng cụ điện cầm tay có thể gây thương tích cho bản thân.
- ▶ **Không rướn người. Luôn luôn giữ tư thế đứng thích hợp và thăng bằng.** Điều này tạo cho việc điều khiển dụng cụ điện cầm tay tốt hơn trong mọi tình huống bất ngờ.
- ▶ **Trang phục thích hợp. Không mặc quần áo rộng lung tung hay mang trang sức. Giữ tóc, quần áo và găng tay xa khỏi các bộ phận chuyển động.** Quần áo rộng lung tung, đồ trang sức hay tóc dài có thể bị cuốn vào các bộ phận chuyển động.
- ▶ **Nếu có các thiết bị đi kèm để nối máy hút bụi và các phụ kiện khác, bảo đảm các thiết bị này được nối và sử dụng tốt.** Việc sử dụng các thiết bị gom hút bụi có thể làm giảm các độc hại liên quan đến bụi gây ra.

Sử dụng và bảo dưỡng dụng cụ điện cầm tay

- ▶ **Không được ép máy. Sử dụng dụng cụ điện cầm tay đúng loại theo đúng ứng dụng của bạn.** Dụng cụ điện cầm tay đúng chức năng sẽ làm việc tốt và an toàn hơn theo đúng tiến độ mà máy được thiết kế.
- ▶ **Không sử dụng dụng cụ điện cầm tay nếu như công tắc không tắt và mở được.** Bất kỳ dụng cụ điện cầm tay nào mà không thể điều khiển được bằng công tắc là nguy hiểm và phải được sửa chữa.
- ▶ **Rút phích cắm ra khỏi nguồn điện và/hay pin ra khỏi dụng cụ điện cầm tay trước khi tiến hành bất kỳ điều chỉnh nào, thay phụ kiện, hay cất dụng cụ điện cầm tay.** Các biện pháp ngăn ngừa như vậy làm giảm nguy cơ dụng cụ điện cầm tay khởi động bất ngờ.
- ▶ **Cất giữ dụng cụ điện cầm tay không dùng tới nơi trẻ em không lấy được và không cho người chưa từng biết dụng cụ điện cầm tay hay các**

hướng dẫn này sử dụng dụng cụ điện cầm tay. Dụng cụ điện cầm tay nguy hiểm khi ở trong tay người chưa được chỉ cách sử dụng.

- ▶ **Bảo quản dụng cụ điện cầm tay. Kiểm tra xem các bộ phận chuyển động có bị sai lệch hay kẹt, các bộ phận bị rạn nứt và các tình trạng khác có thể ảnh hưởng đến sự vận hành của máy. Nếu bị hư hỏng, phải sửa chữa máy trước khi sử dụng.** Nhiều tai nạn xảy ra do bảo quản dụng cụ điện cầm tay tồi.
- ▶ **Giữ các dụng cụ cất bện và sạch.** Bảo quản đúng cách các dụng cụ cất có cạnh cất bện làm giảm khả năng bị kẹt và dễ điều khiển hơn.
- ▶ **Sử dụng dụng cụ điện cầm tay, phụ kiện, đầu cài v. v., đúng theo các chỉ dẫn này, hãy lưu ý đến điều kiện làm việc và công việc phải thực hiện.** Sử dụng dụng cụ điện cầm tay khác với mục đích thiết kế có thể tạo nên tình huống nguy hiểm.

Sử dụng và bảo quản dụng cụ dùng pin

- ▶ **Chỉ được sạc pin lại với bộ nạp điện do nhà sản xuất chỉ định.** Bộ nạp điện thích hợp cho một loại pin có thể gây nguy cơ cháy khi sử dụng cho một loại pin khác.
- ▶ **Chỉ sử dụng dụng cụ điện cầm tay với loại pin được thiết kế đặt biệt dành riêng cho máy.** Sử dụng bất cứ loại pin khác có thể dẫn đến thương tật hay cháy.
- ▶ **Khi không sử dụng pin, để cách xa các vật bằng kim loại như kẹp giấy, tiền xu, chìa khoá, đinh, ốc vít hay các đồ vật kim loại nhỏ khác, thứ có thể tạo sự nối tiếp từ một đầu cực với một đầu cực khác.** Sự chập mạch của các đầu cực với nhau có thể gây bỏng hay cháy.
- ▶ **Bảo quản ở tình trạng tồi, dung dịch từ pin có thể tứa ra; tránh tiếp xúc.** Nếu vô tình chạm phải, hãy xối nước để rửa. Nếu dung dịch vào mắt, cần thêm sự hỗ trợ của y tế. Dung dịch tiết ra từ pin có thể gây ngứa hay bỏng.

Bảo dưỡng

- ▶ **Đưa dụng cụ điện cầm tay của bạn đến thợ chuyên môn để bảo dưỡng, chỉ sử dụng phụ tùng đúng chủng loại để thay.** Điều này sẽ đảm bảo sự an toàn của máy được giữ nguyên.

Các Cảnh Báo An Toàn Cho Khoan Búa

- ▶ **Hãy mang dụng cụ bảo vệ tai.** Để tai trần tiếp xúc với tiếng ồn có thể làm mất thính giác.
- ▶ **Hãy sử dụng tay nắm phụ, nếu như được giao kèm với dụng cụ.** Sự mất điều khiển có thể gây thương tích cho bản thân.
- ▶ **Nắm giữ dụng cụ điện nơi phần nắm cách điện khi thực hiện việc gia công nơi dụng cụ cắt có thể chạm vào dây điện không nhìn thấy được**

hay chính dây của máy. Dụng cụ cắt chạm vào dây "có điện" có thể làm cho các bộ phận kim loại không được bao bọc của dụng cụ điện "có điện" và có khả năng gây cho người sử dụng máy bị điện giật.

- ▶ **Sử dụng thiết bị dò tìm thích hợp để xác định các đường hay ống dẫn công ích nằm âm trong khu vực làm việc hay liên hệ với Cty công trình phúc lợi để nhờ giúp đỡ.** Tiếp xúc với dây điện có thể dẫn đến cháy và bị điện giật. Chạm đường dẫn khí đốt có thể gây nổ. Làm thủng ống dẫn nước có thể làm hư hại tài sản hay có thể gây ra điện giật.
- ▶ **Khi sử dụng máy, luôn luôn giữ chặt máy bằng cả hai tay và tạo tư thế đứng vững chắc.** Dụng cụ điện cầm tay vận hành an toàn hơn khi dùng cả hai tay.
- ▶ **Kẹp chặt vật gia công.** Vật gia công được kẹp bằng một thiết bị kẹp hay bằng êtô thì vững chắc hơn giữ bằng tay.
- ▶ **Luôn luôn đợi cho máy hoàn toàn ngừng hẳn trước khi đặt xuống.** Dụng cụ lắp vào máy có thể bị kẹp chặt dẫn đến việc dụng cụ điện cầm tay bị mất điều khiển.
- ▶ **Không được tháo pin ra.** Nguy cơ bị chập mạch.



Bảo vệ pin không để bị làm nóng, ví dụ, chống để lâu dài dưới ánh nắng gay gắt, lửa, nước, và sự ẩm ướt. Sự nguy hiểm của nổ.

- ▶ **Trong trường hợp pin bị hỏng hay sử dụng sai cách, hơi nước có thể bốc ra. Hãy làm cho thông thoáng khí và trong trường hợp bị đau phải nhờ y tế chữa trị.** Hơi nước có thể gây ngứa hệ hô hấp.
- ▶ **Chỉ sử dụng pin cùng chung với dụng cụ điện cầm tay Bosch của bạn.** Chỉ riêng với cách này đã bảo vệ cho pin không bị nguy hiểm do quá tải.
- ▶ **Pin có thể bị hư hại bởi các vật dụng nhọn như đinh hay tuốc-nơ-vít hoặc bởi các tác động lực từ bên ngoài.** Nó có thể dẫn tới đoản mạch nội bộ và làm pin bị cháy, bốc khói, phát nổ hoặc quá nóng.

Mô Tả Sản Phẩm và Đặc Tính Kỹ Thuật



Đọc kỹ mọi cảnh báo an toàn và mọi hướng dẫn. Không tuân thủ mọi cảnh báo và hướng dẫn được liệt kê dưới đây có thể bị điện giật, gây cháy và/hay bị thương tật nghiêm trọng.

56 | Tiếng Việt**Dành sử dụng cho**

Máy được thiết kế để khoan có động tác búa vào bê-tông, gạch và đá, và cũng như dùng để đục trong công việc sơ nhẹ. Máy cũng thích hợp để khoan gỗ, kim loại, gốm và nhựa mù mà không có động tác đập. Máy có bộ phận điều khiển điện tử và quay được chiều phải/trái cũng thích hợp cho việc bắt vít.

Biểu trưng của sản phẩm

Sự đánh số các biểu trưng của sản phẩm là để tham khảo hình minh họa của máy trên trang hình ảnh.

- 1 Mâm cặp không cần chia thay nhanh (GBH 36 VF-LI Plus)
- 2 Mâm cặp thay nhanh SDS-plus (GBH 36 VF-LI Plus)
- 3 Phần lắp dụng cụ SDS-plus
- 4 Chụp ngăn bụi
- 5 Vòng Khóa
- 6 Vòng khóa của mâm cặp thay nhanh (GBH 36 VF-LI Plus)
- 7 Bộ phận giảm chấn
- 8 Gạc vận chuyển đổi chiều quay
- 9 Tay nắm (bề mặt nắm cách điện)
- 10 Công tắc Tắt/Mở
- 11 Pin*
- 12 Nút nhà khóa để sử dụng gạc chọn phương thức hoạt động
- 13 Gạc chọn phương thức hoạt động
- 14 Đèn rọi

- 15 Nút điều chỉnh cho cỡ định độ sâu
- 16 Tay nắm phụ (có bề mặt nắm cách điện)
- 17 Cỡ định độ sâu
- 18 Nút tháo pin
- 19 Dụng cụ báo hiệu sự kiểm soát nhiệt độ
- 20 Đèn báo sự kiểm soát dòng điện nạp
- 21 Nút dành cho đèn báo sự kiểm soát dòng điện nạp
- 22 Vít bắt chặt cho mâm cặp khoan loại dùng chia (GBH 36 V-LI Plus) *
- 23 Mâm cặp khoan loại dùng chia (GBH 36 V-LI Plus) *
- 24 Chuôi tiếp hợp SDS-plus cho mâm cặp khoan (GBH 36 V-LI Plus) *
- 25 Miệng ống lắp mâm cặp khoan (GBH 36 VF-LI Plus)
- 26 Rãnh Khóa Nhận Dạng
- 27 Khóa của mâm cặp (GBH 36 V-LI Plus)
- 28 Vòng xoay ngoài của mâm cặp không cần chia thay nhanh (GBH 36 VF-LI Plus)
- 29 Vành cố định của mâm cặp không cần chia thay nhanh (GBH 36 VF-LI Plus)
- 30 Công tắc EPC (Kiểm soát Độ chính xác Điện tử/Electronic Precision Control)
- 31 Phần lắp đầu gài phổ thông với chuôi SDS-plus*

*Phụ tùng được trình bày hay mô tả không phải là một phần của tiêu chuẩn hàng hóa được giao kèm theo sản phẩm. Bạn có thể tham khảo tổng thể các loại phụ tùng, phụ kiện trong chương trình phụ tùng của chúng tôi.

Thông số kỹ thuật

Khoan Búa		GBH 36 V-LI Plus	GBH 36 VF-LI Plus
Mã số máy		3 611 J06 0..	3 611 J07 0..
Điều khiển tốc độ		●	●
Ngừng quay		●	●
Quay Phải/Trái		●	●
Mâm cặp thay nhanh		–	●
Điện thế danh định	V=	36	36
Công suất vào danh định	W	600	600
Tần suất đập	bpm	0–4200	0–4200
Năng lượng va đập của từng hành trình dựa theo Qui Chuẩn-EPTA 05/2009	J	3,2	3,2
Tốc độ danh định			
– Quay phải	v/p	0–940	0–940
– Quay trái	v/p	0–930	0–930
Phần lắp dụng cụ		SDS-plus	SDS-plus
Đường kính cổ trục	mm	50	50

1) tùy vào loại pin lốc đang sử dụng

2) hiệu suất giới hạn ở nhiệt độ <0 °C

Các dữ kiện kỹ thuật được xác định cho pin được giao cùng hàng hóa cung cấp.

Khoan Búa	GBH 36 V-LI Plus	GBH 36 VF-LI Plus
Đường kính khoan, tối đa:		
- Bê tông	mm 28	28
- Xây bằng gạch (mũi khoan ống)	mm 82	82
- Thép	mm 13	13
- Gỗ	mm 30	30
Trọng lượng theo Quy trình EPTA-Procedure 01:2014 (chuẩn EPTA 01:2014)	kg 4,0/4,5 ¹⁾	4,1/4,6 ¹⁾
Nhiệt độ môi trường cho phép		
- trong quá trình sạc điện	°C 0...+45	0...+45
- khi vận hành ²⁾ và khi lưu trữ	°C -20...+50	-20...+50
Pin được khuyến dùng	GBA 36V ...	GBA 36V ...
Thiết bị nạp được giới thiệu	AL36.. GAL 36..	AL36.. GAL 36..

1) tùy vào loại pin lắp đang sử dụng

2) hiệu suất giới hạn ở nhiệt độ <0 °C

Các dữ kiện kỹ thuật được xác định cho pin được giao cùng hàng hóa cung cấp.

Sự lắp vào

Nạp điện pin (xem hình A)

- **Chỉ nên sử dụng các bộ nạp điện pin được liệt kê trong trang phụ kiện.** Chỉ có các bộ nạp điện pin này mới thích hợp với pin lithium ion dùng cho dụng cụ điện cầm tay của bạn.

Ghi Chú: Pin giao kèm máy chỉ được nạp điện một phần. Để đảm bảo pin có đầy đủ điện dung, nạp điện hoàn toàn cho pin bằng bộ nạp điện pin trước khi bạn sử dụng dụng cụ điện cho lần đầu tiên.

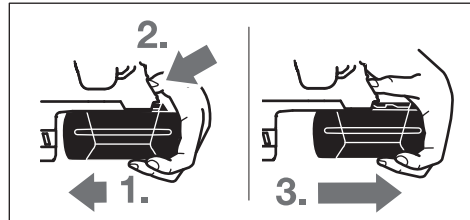
Pin Lithium ion có thể nạp điện bất cứ lúc nào mà vẫn không làm giảm tuổi thọ của pin. Sự làm gián đoạn qui trình nạp điện không làm cho pin bị hư hỏng.

Pin Li-on được bảo vệ ngăn sự phóng điện quá lớn nhờ vào "Bộ phận Điện tử Bảo vệ Pin (Electronic Cell Protection = ECP)". Khi pin hết điện, máy tự tắt nhờ vào thiết bị bảo vệ mạch: Dụng cụ đang lắp trong máy dừng quay hẳn.

- **Không được tiếp tục nhấn vào công tắc Tắt/Mở sau khi máy đã tự động tắt.** Có thể làm cho pin hỏng.

Tháo Pin

Pin **11** được trang bị hai lớp khóa để ngăn sao cho pin không bị rơi ra ngoài khi vô ý nhấn phải nút tháo pin **18**. Cứ khi nào pin còn được lắp trong dụng cụ điện, nó vẫn được giữ nguyên vị trí nhờ vào một lò xo.



Để tháo pin **11**:

- Đẩy pin từ chốt vào trong khoang để của dụng cụ điện (1.) và cùng lúc nhấn nút tháo pin **18** (2.).
- Kéo pin ra khỏi dụng cụ điện cho đến khi nhìn thấy được vạch màu đỏ (3.).
- Nhấn nút tháo pin **18** thêm lần nữa và kéo pin hoàn toàn ra ngoài.

Đèn Báo Sự Kiểm Soát Dòng Điện Nạp

Ba đèn LED màu xanh lá của bộ nạp điện pin báo hiệu sự kiểm soát sự nạp điện pin **20** báo hiệu tình trạng nạp điện của pin **11**. Vì lý do an toàn, ta chỉ có thể kiểm tra trạng thái của tình trạng nạp điện khi máy đã ngừng hoạt động hoàn toàn.

- Nút nhấn **21** để báo hiệu tình trạng nạp điện (cũng thực hiện được khi đã lấy pin ra). Dụng cụ báo hiệu sự kiểm soát sự nạp điện pin tự động tắt sau khoảng 5 giây.

LED	Điện dung
Sáng liên tục 3 x màu xanh lá	≥2/3
Sáng liên tục 2 x màu xanh lá	≥1/3
Sáng liên tục 1 x màu xanh lá	<1/3
Chớp sáng 1 x màu xanh lá	Sự Dự Phòng

Khi không có đèn LED nào sáng lên sau khi nhấn nút **21**, nếu vậy thì pin đã bị hỏng và phải được thay thế.

58 | Tiếng Việt

Trong quá trình nạp điện pin, ba đèn LED xanh lá chớp rồi tắt theo tuần tự. Pin đã được nạp đầy điện khi ba đèn LED xanh lá sáng lên liên tục. Ba đèn LED xanh lá lại tắt lần nữa khoảng 5 phút sau khi pin đã được nạp đầy.

Tay nắm phụ

► **Chỉ vận hành máy của bạn khi đã gắn tay nắm phụ 16.**

Xoay Tay Nắm Phụ (xem hình B)

Tay nắm phụ **16** có thể chỉnh đặt ở bất cứ vị trí nào mà tạo ra được sự an toàn và tư thế làm việc thoải mái nhất.

- Vận phần thân dưới của tay nắm phụ **16** ngược chiều kim đồng hồ và xoay tay nắm phụ **16** vào vị trí muốn đặt. Sau đó vận chặt phần thân dưới của tay nắm phụ **16** lại theo chiều kim đồng hồ.

Hãy lưu ý rằng nẹp định vị của tay nắm phụ được đặt trong rãnh nằm trên vỏ máy đúng như chủ định.

Chọn Lựa Mâm Cặp Khoan và Dụng Cụ

Để đục hay khoan búa, cần phải sử dụng loại dụng cụ SDS-plus để lắp vào mâm cặp khoan SDS-plus.

Để khoan gỗ, kim loại, gốm và nhựa mù cũng như để bắt vít mà không có động tác đập, hãy sử dụng loại dụng cụ không phải loại SDS-plus (vd., các mũi khoan có chuôi hình trụ). Đối với các dụng cụ này, cần sử dụng loại mâm cặp khoan dùng chìa hay không dùng chìa.

Lắp/ tháo đầu kẹp mũi khoan dạng chìa khóa (GBH 36 V-LI Plus)

Để vận hành với dụng cụ không phải là SDS-plus (vd., khoan có chuôi hình trụ), phải lắp loại mâm cặp khoan thích hợp vào (mâm cặp khoan cần chìa hay không cần chìa, phụ kiện).

Lắp Mâm Cặp Khoan Loại Dùng Chìa (xem hình C)

- Vận chuôi tiếp hợp SDS-plus **24** vào trong mâm cặp khoan loại dùng chìa **23**. Bắt cố định mâm cặp khoan loại dùng chìa **23** bằng vít giữ cố định **22**.
Xin vui lòng lưu ý vít giữ cố định có ren trái.

Lắp Mâm Cặp Khoan Loại Dùng Chìa (xem hình C)

- Làm sạch cán chuôi của chuôi tiếp hợp và bôi một lớp mỏng dầu bôi trơn lên.
- Lắp mâm cặp khoan loại dùng chìa với phần chuôi tiếp hợp vào trong phần lắp dụng cụ bằng động tác xoay cho đến khi được tự động khóa lại.
- Kiểm tra hiệu quả khóa bằng cách kéo thử mâm cặp khoan loại dùng chìa ra.

Tháo Mâm Cặp Khoan Loại Dùng Chìa

- Đẩy vòng khóa **5** ra phía sau và kéo mâm cặp khoan loại dùng chìa ra **23**.

Tháo/Lắp Mâm Cặp Thay Nhanh (GBH 36 VF-LI Plus)

Mâm cặp thay nhanh SDS-plus **2** có thể dễ dàng thay thế mâm cặp không cần chìa thay nhanh **1** được cung cấp.

Tháo Mâm Cặp Thay Nhanh (xem hình D)

- Kéo vòng khóa dành cho mâm cặp thay nhanh **6** ra phía sau, giữ nguyên ở vị trí này và kéo mâm cặp thay nhanh SDS-plus **2** hay mâm cặp thay nhanh loại không cần chìa **1** ra phía trước.
- Sau khi tháo ra, hãy bảo vệ cho mâm cặp thay ra không bị bẩn.

Lắp Mâm Cặp Thay Nhanh (xem hình E)

- **Chỉ sử dụng trang thiết bị đặc trưng nguyên bản và lưu ý đến số lượng rãnh khía nhận dạng 26. Chỉ cho phép sử dụng mâm cặp thay nhanh loại có hai hay ba rãnh khía nhận dạng.** Khi sử dụng mâm cặp thay nhanh không thích hợp, dụng cụ đang sử dụng có thể rơi ra trong lúc đang hoạt động.
- Trước khi lắp vào, lau sạch mâm cặp thay nhanh và bôi một lớp mỏng dầu bôi trơn lên cán chuôi.
- Nắm mâm cặp thay nhanh SDS-plus **2** hay mâm cặp thay nhanh loại không cần chìa **1** hoàn toàn bằng tay của bạn. Ráp mâm cặp thay nhanh vào bằng động tác xoay lên trên miệng ống lắp mâm cặp khoan **25** cho đến khi nghe thấy rõ tiếng động vào khớp.
- Mâm cặp thay nhanh tự động khóa lại. Kiểm tra hiệu quả khóa bằng cách kéo thử mâm cặp thay nhanh.

Thay Dụng Cụ

Chụp ngăn bụi **4** hầu như ngăn cản toàn bộ bụi khoan vào trong phần lắp dụng cụ trong lúc vận hành. Khi lắp dụng cụ vào, bảo đảm rằng chụp ngăn bụi **4** không bị làm hư hỏng.

► **Chụp ngăn bụi bị hư hỏng phải được thay ra ngay lập tức. Chúng tôi khuyến nghị việc thay thế này do một đại lý phục vụ hậu mãi thực hiện.**

Thay Dụng Cụ (SDS-plus)

Lắp Dụng Cụ Khoan SDS-plus (xem hình F)

Mâm cặp khoan SDS-plus cho phép thay đổi dụng cụ khoan được đơn giản và tiện lợi mà không cần rời các dụng cụ phụ trợ khác.

- GBH 36 VF-LI Plus: Lắp mâm cặp khoan thay nhanh SDS-plus **2**.

- Làm sạch và thoa một lớp mỏng dầu bôi trơn lên chuôi của dụng cụ.
- Lắp dụng cụ vào bằng cách xoay vặn dụng cụ vào ổ lắp dụng cụ cho đến khi tự ăn vào khớp.
- Kiểm tra xem đã cài chắc chưa bằng cách kéo thử dụng cụ ra.

Theo như yêu cầu của hệ thống, dụng cụ khoan SDS-plus có thể chuyển động tự do. Điều này tạo ra sự đảo toả tròn khi chạy không tải ở một mức nào đó, việc này không làm ảnh hưởng đến độ chính xác của lỗ khoan, vì mũi khoan định tâm của chính nó trong khi khoan.

Thay Dụng Cụ Khoan SDS-plus Ra (xem hình G)

- Đẩy vòng khóa xuống **5** và lấy dụng cụ ra.

Thay Dụng Cụ (không SDS-plus) (GBH 36 V-LI Plus)

Tra Lắp (xem hình H)

Ghi Chú: Không sử dụng dụng cụ không phải loại SDS-plus để khoan hay đục có động tác búa! Khoan hay đục có động tác búa làm hỏng dụng cụ không phải loại SDS-plus và mâm cặp của chúng.

- Lắp mâm cặp khoan loại dùng chia **23** (xem “Lắp/ tháo đầu kẹp mũi khoan dạng chia khóa”, trang 58).
- Mở mâm cặp khoan dùng khóa **23** bằng cách vặn cho đến khi dụng cụ có thể lắp vào được. Lắp dụng cụ vào.
- Tra chia vặn mâm cặp vào trong các lỗ tương ứng của mâm cặp khoan loại dùng chia **23** và siết đều các lỗ để kẹp chặt dụng cụ lại.
- Vặn gạt chọn phương thức hoạt động **13** về “vị trí” Khoan.

Thay ra (xem hình I)

- Vặn vòng xoay của mâm cặp khoan loại dùng chia **23** bằng chia vặn mâm cặp khoan theo ngược chiều đồng hồ cho đến khi có thể tháo dụng cụ khoan ra.

Thay Dụng Cụ (không SDS-plus) (GBH 36 VF-LI Plus)

Tra Lắp (xem hình J)

Ghi Chú: Không sử dụng dụng cụ không phải loại SDS-plus để khoan hay đục có động tác búa! Khoan hay đục có động tác búa làm hỏng dụng cụ không phải loại SDS-plus và mâm cặp của chúng.

- Lắp mâm cặp loại không cần chia thay nhanh **1**.
- Giữ chặt vành cố định **29** của mâm cặp thay nhanh. Mở phần lắp dụng cụ bằng cách vặn vòng xoay ngoài **28** cho đến khi có thể lắp dụng cụ vào. Giữ thật chặt vành cố định **29** và vặn chặt vòng xoay ngoài **28** theo chiều mũi tên cho đến khi nghe thật rõ tiếng động ăn vào khớp.

- Kiểm tra xem đã vào chắc chưa bằng cách kéo thử dụng cụ ra.

Ghi Chú: Nếu phần lắp dụng cụ vẫn mở khi đã vặn hết, vậy có thể nghe thấy tiếng ăn vào khớp trong khi đóng phần lắp dụng cụ lại và phần lắp dụng cụ sẽ không cập lại.

Trong trường hợp này, vặn vòng xoay ngoài **28** theo chiều ngược chiều mũi tên thêm một lần nữa. Sau cùng, phần lắp dụng cụ có thể đóng lại (cập chặt) như trước.

- Vặn gạt chọn phương thức hoạt động **13** về “vị trí” Khoan.

Thay ra (xem hình K)

- Giữ chặt vành cố định **29** của mâm cặp thay nhanh. Mở phần lắp dụng cụ bằng cách vặn vòng xoay ngoài **28** theo chiều của mũi tên cho đến khi có thể tháo dụng cụ ra.

Hút bụi bằng GDE 16 Plus (phụ tùng)

- ▶ Mạt bụi từ các vật liệu được sơn phủ ngoài có chứa chì trên một số loại gỗ, khoáng vật và kim loại có thể gây nguy hại đến sức khỏe con người. Dụng cụ hút bụi hay tất cả các bụi này có thể làm người sử dụng hay đứng gần bị dị ứng và/hoặc gây nhiễm trùng hệ hô hấp.

Một số mạt bụi cụ thể, ví dụ như bụi gỗ sồi hay dầu, được xem là chất gây ung thư, đặc biệt là có liên quan đến các chất phụ gia dùng xử lý gỗ (chất cromat, chất bảo quản gỗ). Có thể chỉ nên để thợ chuyên môn gia công các loại vật liệu có chứa amiăng.

- Cách xa ở mức có thể được, sử dụng hệ thống hút thích hợp cho loại vật liệu.
- Tạo không khí thông thoáng nơi làm việc.
- Khuyến nghị nên mang mặt nạ phòng độc có bộ lọc cấp P2.

Tuân thủ các qui định của quốc gia bạn liên quan đến loại vật liệu gia công.

- ▶ **Tránh không để rác tích tụ tại nơi làm việc.** Rác có thể dễ dàng bắt lửa.

Để hút bụi, cần phải có phụ tùng GDE 16 Plus.

Máy hút bụi phải thích hợp dành cho loại vật liệu đang gia công.

Khi hút bụi khô loại đặc biệt gây nguy hại đến sức khỏe hoặc gây ra ung thư, hãy sử dụng máy hút bụi loại chuyên dụng.

Vận Hành

Bắt Đầu Vận Hành

Lắp Pin Vào

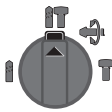
- Chính đặt gạc chỉ chiều quay **8** về vị trí chính giữa để bảo vệ dụng cụ điện phòng tránh sự khởi động vô tình.
- Lắp pin hợp khối đã nạp điện **11** từ phía sau vào trong khoang để lắp pin của dụng cụ điện. Nhấn pin hợp khối hoàn toàn vào bên trong khoang để lắp pin cho đến khi không còn nhìn thấy sọc màu đỏ, và pin đã được khóa lại an toàn.

Chỉnh Đặt Phương Thức Hoạt Động

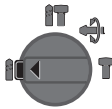
Sự hoạt động theo phương thức của dụng cụ điện được chọn bằng gạc chọn phương thức hoạt động **13**.

Ghi Chú: Thay đổi phương thức hoạt động chỉ khi đã tắt máy! Nếu không, có thể làm cho máy bị hư hỏng.

- Để thay đổi phương thức hoạt động, nhấn nút nhà khóa **12** và vận gạc chọn phương thức hoạt động **13** về vị trí theo yêu cầu cho đến khi nghe tiếng ần vào khớp.



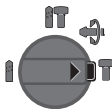
Vị trí để **khoan với động tác búa** vào bê tông hay đá



Vị trí để **khoan thường** không có động tác đập để khoan gỗ, gốm, kim loại và nhựa mũ cũng như để bắt vít



Vị trí **Khóa Thay Đổi Vị Trí** để điều chỉnh vị trí đục
Gạc chọn phương thức hoạt động **13** không ăn khớp ở vị trí này.



Vị trí để **đục**

Đảo Chiều Quay

Gạc chuyển đổi chiều quay **8** được sử dụng để đảo lại chiều quay của máy. Tuy nhiên, việc này không thể thực hiện được cùng lúc với công tắc Tắt/Mở **10** đang hoạt động.

Hướng đồng hồ quay: Bạn đẩy công tắc lật hướng xoay **8** cho đến hết ◀.

Ngược hướng đồng hồ quay: Bạn đẩy công tắc lật hướng xoay **8** cho đến hết ▶.

Luôn luôn chỉnh đặt chiều quay để khoan búa, khoan thường và đục về chiều quay phải.

Bật Mở và Tắt

Để tiết kiệm năng lượng, chỉ cho dụng cụ điện hoạt động khi sử dụng.

- Để **mở** máy, nhấn công tắc Tắt/Mở **10**.

Khi mở máy để vận hành lần đầu tiên, sự khởi động có thể bị chậm lại vì hệ thống điện tử của dụng cụ điện phải tự định hình trước.

- Để **tắt máy**, thả công tắc chuyển mạch Tắt/Mở **10** ra.

Chỉnh Đặt Tốc độ/Tần suất Đập

Có thể điều chỉnh thay đổi tốc độ/tần suất đập của dụng cụ điện đang hoạt động, tùy theo mức độ công tắc Tắt/Mở **10** được bóp vào.

Lực áp nhẹ lên công tắc Tắt/Mở **10** tạo ra tốc độ thấp/tần suất đập thưa. Lực áp mạnh hơn lên công tắc làm tăng tốc độ và tần suất đập.

Kiểm soát Độ chính xác Điện tử (EPC) (xem hình L)

EPC hỗ trợ bạn với khi làm việc bằng việc loại bỏ các nguyên liệu dễ hư hại do quá trình chạy đà chậm và số vòng quay làm việc giảm.

- Bạn đẩy công tắc EPC **30** vào vị trí mong muốn.



Vị trí của số vòng quay làm việc tối đa



Vị trí để chạy đà chậm và số vòng quay làm việc giảm

Khớp Ly Hợp Chống Quá Tải

► Nếu dụng cụ lắp trong máy bị kẹt hay kẹt, lực truyền động đến trục khoan bị ngăn lại. Do vậy tạo ra lực tác động, luôn luôn giữ dụng cụ điện cầm tay bằng cả hai tay thật chắc và tạo tư thế bán thân cho vững chãi.

► Nếu dụng cụ điện cầm tay bị kẹt, tắt máy và làm rơi dụng cụ lắp trong máy ra. Khi bật máy lên mà dụng cụ khoan còn đang bị kẹt, lực vận mạnh có thể xảy ra.

Chế độ ngắt nhanh (Kickback Control)

Chế độ ngắt nhanh (Kickback Control) sẽ cung cấp cách kiểm soát dụng cụ điện tốt hơn. Ở những vòng quay đột ngột và không thể đoán trước của dụng cụ điện, dụng cụ điện sẽ tắt trục máy khoan.

- Để **khởi động lại** hãy thả nút bật tắt và nhấn lại lần nữa.

Chế độ ngắt nhanh được thể hiện thông qua đèn làm việc của dụng cụ điện bị nháy **14**.

► **Chỉ có thể kích hoạt chế độ ngắt nhanh khi dụng cụ điện chạy với số vòng quay hoạt động tối đa và có thể thoải mái quay quanh trục máy khoan.**

Dụng Cụ Báo Hiệu Sự Kiểm Soát Nhiệt Độ

Đèn LED đỏ của dụng cụ báo hiệu sự kiểm soát nhiệt độ **19** phát tín hiệu báo rằng pin hay bộ phận điện tử (khi đã lắp pin vào) không nằm trong tầm nhiệt độ hoạt động tốt nhất. Trong trường hợp này, dụng cụ điện sẽ không hoạt động hết công suất.

Sự kiểm soát nhiệt độ pin:

- Đèn LED đỏ **19** sáng lên liên tục sau khi lắp pin vào trong bộ nạp điện pin: Pin không nằm trong tầm nhiệt độ giữa 0 °C và 45 °C nên không thể nạp điện được.
- Đèn LED màu đỏ **19** nháy khi ấn phím **21** hoặc công tắc bật/tắt **10** (ở ắc quy được lắp đặt): Ắc quy không hoạt động trong vùng nhiệt độ vận hành.
- Đối với pin có nhiệt độ lên quá 70 °C, dụng cụ điện tự động tắt cho đến khi pin trở lại tầm nhiệt độ tốt nhất.

Sự kiểm soát nhiệt độ của dụng cụ điện điện tử:

- Đèn LED đỏ **19** sáng liên tục khi nhấn công tắc Tắt/Mở **10**: Nhiệt độ của các bộ phận điện tử xuống dưới 5 °C hay vượt trên 75 °C.
- Ở nhiệt độ trên 90 °C, bộ phận điện tử của dụng cụ điện tự ngắt mạch cho đến khi tầm nhiệt độ cho phép trở về lại.

Hướng Dẫn Sử Dụng

Điều chỉnh Cỡ Sâu Khoan (xem hình M)

Cỡ sâu muốn khoan **X** có thể chỉnh đặt bằng cỡ định độ sâu **17**.

- Nhấn nút chỉnh đặt cỡ định độ sâu **15** và lắp cỡ định độ sâu vào tay nắm phụ **16**. Bề mặt khía vân của đĩa định độ sâu **17** phải hướng xuống dưới.
- Lắp dụng cụ khoan SDS-plus vào hết trong phần lắp dụng cụ SDS-plus **3**. Nếu không, sự chuyển dịch của dụng cụ khoan SDS-plus có thể dẫn đến sự điều chỉnh sai độ sâu khoan.
- Kéo cỡ định độ sâu ra cho đến khi khoảng cách giữa đầu mũi khoan và đầu cỡ định độ sâu thích ứng với chiều sâu lỗ khoan muốn có **X**.

Thay Đổi Vị Trí Đục (Khóa nhiều vị trí)

Mũi đục có thể được khóa 36 ở nhiều vị trí khác nhau. Nhờ như vậy, ta có thể tạo tự thể thao tác tốt nhất cho từng ứng dụng.

- Lắp mũi đục vào trong ổ lắp dụng cụ.
- Vận gạc chọn phương thức hoạt động **13** về "vị trí Khóa Thay Đổi Vị Trí" (xem "Chỉnh Đặt Phương Thức Hoạt Động", trang 60).
- Xoay phần lắp dụng cụ về vị trí đục theo yêu cầu.

- Vận gạc chọn phương thức hoạt động **13** về vị trí đục. Phần lắp dụng cụ được khóa lại ngay lúc này.
- Để đục, chỉnh đặt chiều quay về chiều quay phải.

Lắp Đầu Gài Vận Vít (xem hình N)

► **Tra dụng cụ điện cầm tay vào vít/đai ốc chỉ khi đã tắt công tắc.** Dụng cụ gắn trong máy đang xoay có thể trượt ra ngoài.

Để vận hành với đầu gài vận vít, cần sử dụng phần lắp đầu gài phổ thông **31** có chuỗi SDS-plus (phụ kiện).

- Làm sạch cán chuỗi của chuỗi tiếp hợp và bôi một lớp mỏng dầu bôi trơn lên.
- Lắp phần lắp đầu gài phổ thông bằng động tác xoay vào trong phần lắp dụng cụ cho đến khi được tự động khóa lại.
- Kiểm tra hiệu quả khóa bằng cách kéo thử phần lắp đầu gài phổ thông ra.
- Lắp đầu gài vận vít vào trong phần lắp đầu gài phổ thông. Chỉ sử dụng đầu gài vận vít vừa với đầu vít.
- Tháo phần lắp đầu gài phổ thông, kéo vòng khóa **5** về phía sau và tháo phần lắp đầu gài phổ thông **31** ra khỏi phần lắp dụng cụ.

Bộ Phận Giảm Chấn



Bộ phận giảm chấn nội kết làm giảm sự rung chấn phát sinh.

Tay nắm mềm làm tăng sự an toàn, ngăn ngừa sự tuột tay, và vì thế nó làm cho sự nắm giữ và điều khiển dụng cụ điện được tốt hơn.

Các Khuyến Nghị về Cách Bảo Dưỡng Tốt Nhất cho Pin

Tránh không để pin ở nơi ẩm ướt hoặc có nước.

Chỉ bảo quản pin trong tầm nhiệt độ nằm giữa -20 °C và 50 °C. Ví dụ, không để pin trong xe ôtô vào mùa hè.

Thỉnh thoảng làm sạch các khe thông gió của pin bằng cách dùng một cái cọ khô, mềm và sạch.

Sự giảm thời gian hoạt động một cách rõ rệt sau khi nạp điện chỉ cho thấy rằng pin đã được sử dụng và phải được thay.

Tuân thủ các chú thích dành cho việc thải bỏ.

Bảo Dưỡng và Bảo Quản

Bảo Dưỡng và Làm Sạch

► **Trước khi tiến hành bất cứ công việc gì với máy (vd., bảo dưỡng, thay dụng cụ v.v..) cũng như khi vận chuyển hay lưu kho, tháo pin ra khỏi dụng cụ điện.** Có nguy cơ gây thương tích khi vô tình làm kích hoạt công tắc Tắt/Mở.

62 | Tiếng Việt

- ▶ **Để được an toàn và máy hoạt động đúng chức năng, luôn luôn giữ máy và các khe thông gió được sạch.**
- ▶ **Chụp ngăn bụi bị hư hỏng phải được thay ra ngay lập tức. Chúng tôi khuyến nghị việc thay thế này do một đại lý phục vụ hậu mãi thực hiện.**
- Làm sạch phần lắp dụng cụ **3** sau mỗi lần sử dụng xong.

Dịch Vụ Sau Khi Bán và Dịch Vụ Ứng Dụng

Bộ phận phục vụ hàng sau khi bán của chúng tôi sẽ trả lời các câu hỏi liên quan đến việc bảo trì và sửa chữa các sản phẩm cũng như các phụ tùng thay thế của bạn. Hình ảnh chi tiết và thông tin phụ tùng thay thế có thể tìm hiểu theo địa chỉ dưới đây:

www.bosch-pt.com

Bộ phận dịch vụ ứng dụng Bosch sẽ hân hạnh trả lời các câu hỏi liên quan đến các sản phẩm của chúng tôi và linh kiện của chúng.

Trong tất cả các phản hồi và đơn đặt phụ tùng, xin vui lòng luôn luôn nhập số hàng hóa 10 chữ số theo nhãn của hàng hóa.

Việt Nam

CN Cty TNHH Bosch Vietnam tại TP. Hồ Chí Minh
Tầng 10, Tòa nhà 194 Golden
473 Điện Biên Phủ
Phường 25, Quận Bình Thạnh
Tp. Hồ Chí Minh
Tel.: (08) 6258 3690
Fax: (08) 6258 3692
Hotline: (08) 6250 8555
www.bosch-pt.com.vn

Campuchia

Công ty TNHH Robert Bosch (Campuchia)
Đơn nguyên 8BC, GT Tower, Tầng 08,
Đường 169, Tiệp Khắc Blvd, Sangkat Veal Vong,
Khan 7 Makara, Phnom Penh
VAT TIN : 100 169 511
Tel.: +855 23 900 685
Tel.: +855 23 900 660
www.bosch.com.kh

Vận Chuyển

Pin có chứa lithium-ion là đối tượng phải tuân theo các quy định của Pháp Luật về Hàng Hóa Nguy Hiểm. Người sử dụng có thể vận chuyển pin bằng đường bộ mà không cần có thêm yêu cầu nào khác. Khi được vận chuyển thông qua bên thứ ba (vd. vận chuyển bằng đường hàng không hay đại lý giao nhận), phải tuân theo các yêu cầu đặc biệt về đóng gói và dán nhãn. Để chuẩn bị cho món hàng sẽ được

gửi đi, cần tham khảo ý kiến của chuyên gia về vật liệu nguy hiểm.

Chỉ gửi pin đi khi vỏ ngoài không bị hư hỏng. Dán băng keo hay che kín các điểm tiếp xúc để hở và đóng gói pin cách sao cho pin không thể xê dịch khi nằm trong bao bì được.

Cũng xin vui lòng tuân theo quy định chi tiết có thể có của mỗi quốc gia.

Thải bỏ

Máy, pin nạp điện lại được, phụ kiện và bao bì phải được phân loại để tái chế theo hướng thân thiện với môi trường.

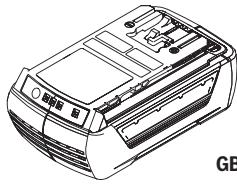


Không được vứt bỏ dụng cụ điện, pin/pin nạp điện lại được vào chung với rác sinh hoạt!

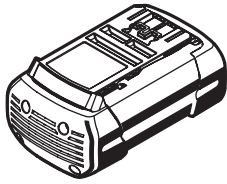
Pin lốc/pin:**Li-ion:**

Xin vui lòng tuân thủ theo thông tin dưới đây "Vận Chuyển", trang 62.

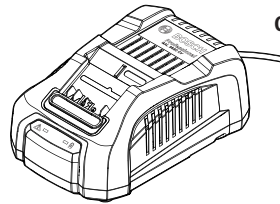
Được quyền thay đổi nội dung mà không phải thông báo trước.



GBA 36V ...



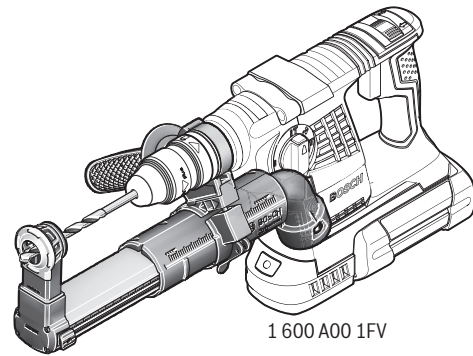
GAL 3680 CV



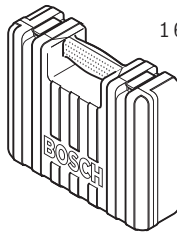
1 613 001 003



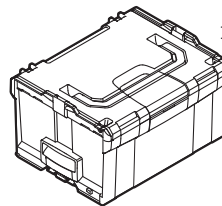
2 602 025 191



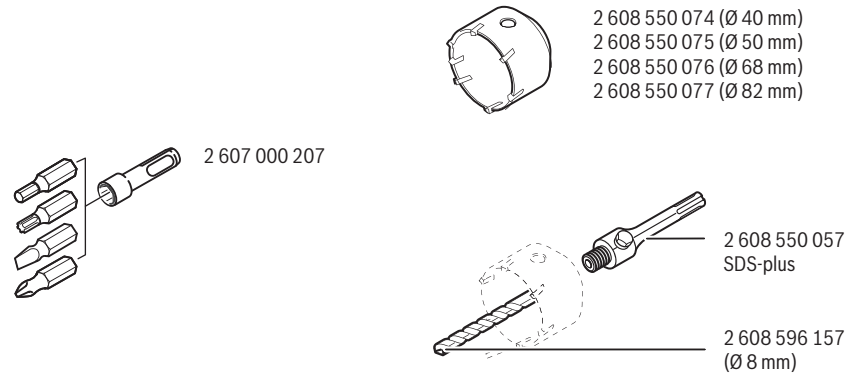
1 600 A00 1FV



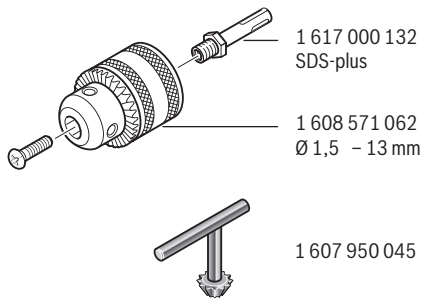
1 600 A00 4E5



1 600 A00 1RS



GBH 36 V-LI Plus



GBH 36 VF-LI Plus

