

Robert Bosch Power Tools GmbH
70538 Stuttgart
GERMANY

www.bosch-pt.com

1 609 92A 55B (2019.07) 0 / 25



1 609 92A 55B

GWS 10.8V-76 Professional

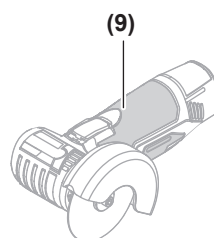
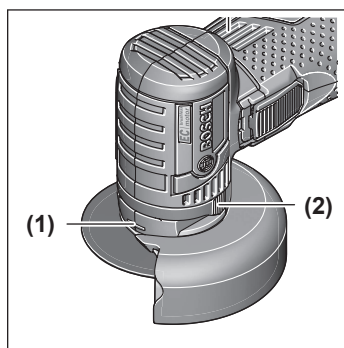
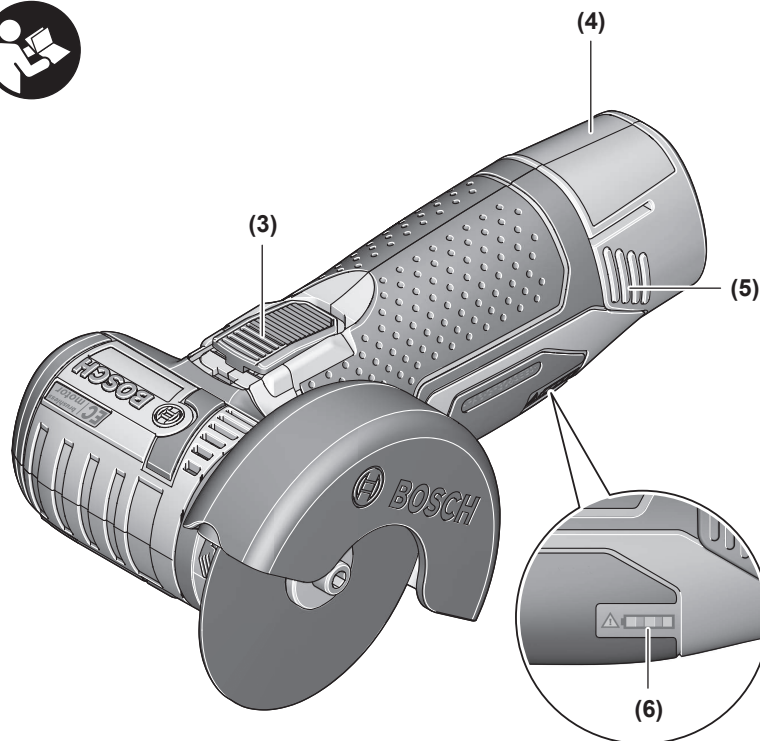
HEAVY
DUTY

 **BOSCH**

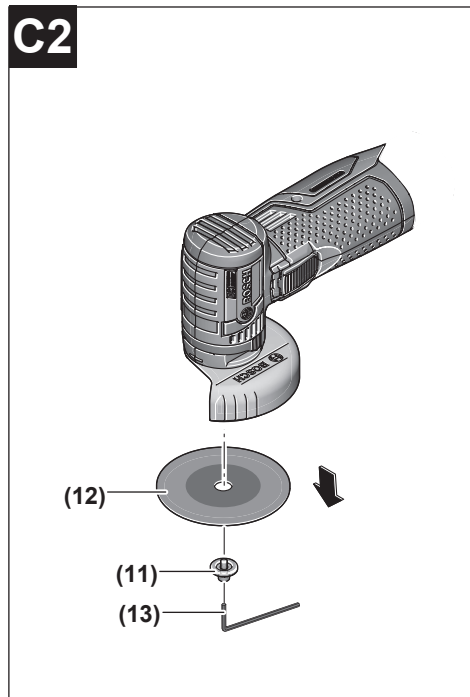
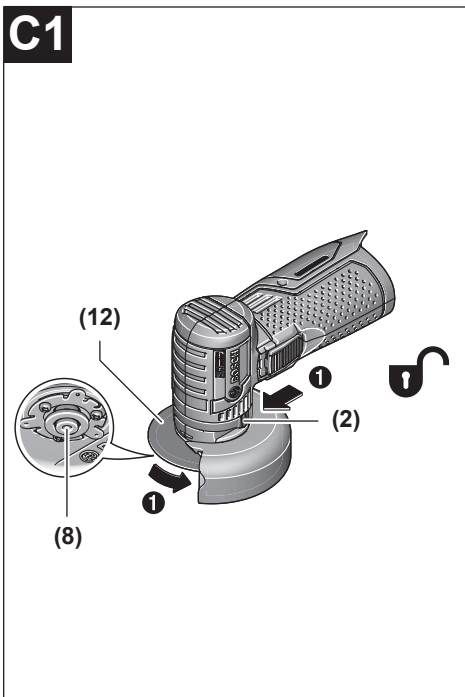
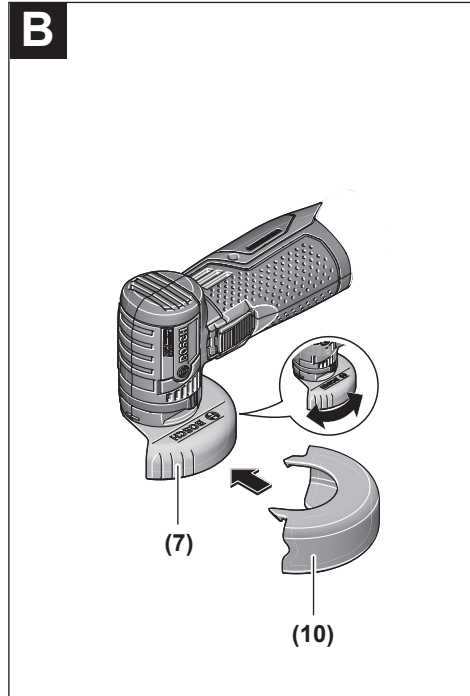
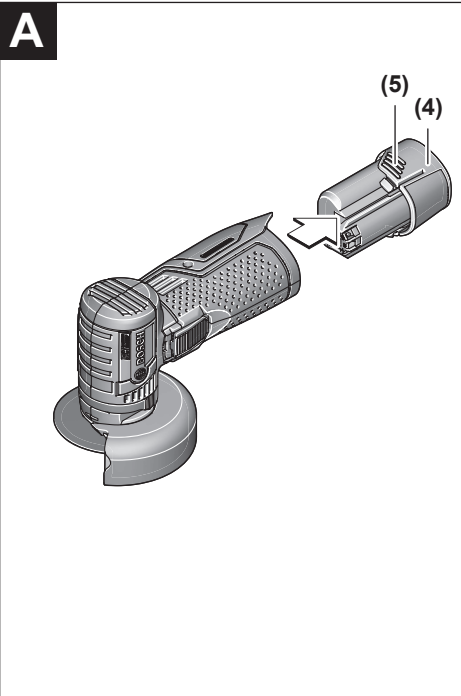
en Original instructions

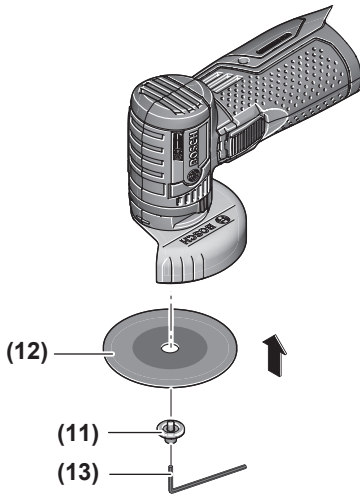
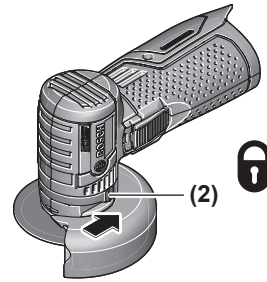
ko 사용 설명서 원본

English Page 6
한국어 페이지 15



GWS 10.8V-76



C3**C4**

English

Safety instructions

General Power Tool Safety Warnings

⚠ WARNING **Read all safety warnings and all instructions.** Failure to follow the warnings and instructions may result in electric shock, fire and/or serious injury.

Save all warnings and instructions for future reference.

The term "power tool" in the warnings refers to your mains-operated (corded) power tool or battery-operated (cordless) power tool.

Work area safety

- ▶ **Keep work area clean and well lit.** Cluttered or dark areas invite accidents.
- ▶ **Do not operate power tools in explosive atmospheres, such as in the presence of flammable liquids, gases or dust.** Power tools create sparks which may ignite the dust or fumes.
- ▶ **Keep children and bystanders away while operating a power tool.** Distractions can cause you to lose control.

Electrical safety

- ▶ **Power tool plugs must match the outlet. Never modify the plug in any way. Do not use any adapter plugs with earthed (grounded) power tools.** Unmodified plugs and matching outlets will reduce risk of electric shock.
- ▶ **Avoid body contact with earthed or grounded surfaces, such as pipes, radiators, ranges and refrigerators.** There is an increased risk of electric shock if your body is earthed or grounded.
- ▶ **Do not expose power tools to rain or wet conditions.** Water entering a power tool will increase the risk of electric shock.
- ▶ **Do not abuse the cord. Never use the cord for carrying, pulling or unplugging the power tool. Keep cord away from heat, oil, sharp edges or moving parts.** Damaged or entangled cords increase the risk of electric shock.
- ▶ **When operating a power tool outdoors, use an extension cord suitable for outdoor use.** Use of a cord suitable for outdoor use reduces the risk of electric shock.
- ▶ **If operating a power tool in a damp location is unavoidable, use a residual current device (RCD) protected supply.** Use of an RCD reduces the risk of electric shock.

Personal safety

- ▶ **Stay alert, watch what you are doing and use common sense when operating a power tool. Do not use a power tool while you are tired or under the influence of drugs, alcohol or medication.** A moment of inattention while operating power tools may result in serious personal injury.

- ▶ **Use personal protective equipment. Always wear eye protection.** Protective equipment such as dust mask, non-skid safety shoes, hard hat, or hearing protection used for appropriate conditions will reduce personal injuries.
- ▶ **Prevent unintentional starting. Ensure the switch is in the off-position before connecting to power source and/or battery pack, picking up or carrying the tool.** Carrying power tools with your finger on the switch or energising power tools that have the switch on invites accidents.
- ▶ **Remove any adjusting key or wrench before turning the power tool on.** A wrench or a key left attached to a rotating part of the power tool may result in personal injury.
- ▶ **Do not overreach. Keep proper footing and balance at all times.** This enables better control of the power tool in unexpected situations.
- ▶ **Dress properly. Do not wear loose clothing or jewellery. Keep your hair, clothing and gloves away from moving parts.** Loose clothes, jewellery or long hair can be caught in moving parts.
- ▶ **If devices are provided for the connection of dust extraction and collection facilities, ensure these are connected and properly used.** Use of dust collection can reduce dust-related hazards.

Power tool use and care

- ▶ **Do not force the power tool. Use the correct power tool for your application.** The correct power tool will do the job better and safer at the rate for which it was designed.
- ▶ **Do not use the power tool if the switch does not turn it on and off.** Any power tool that cannot be controlled with the switch is dangerous and must be repaired.
- ▶ **Disconnect the plug from the power source and/or the battery pack from the power tool before making any adjustments, changing accessories, or storing power tools.** Such preventive safety measures reduce the risk of starting the power tool accidentally.
- ▶ **Store idle power tools out of the reach of children and do not allow persons unfamiliar with the power tool or these instructions to operate the power tool.** Power tools are dangerous in the hands of untrained users.
- ▶ **Maintain power tools. Check for misalignment or binding of moving parts, breakage of parts and any other condition that may affect the power tool's operation. If damaged, have the power tool repaired before use.** Many accidents are caused by poorly maintained power tools.
- ▶ **Keep cutting tools sharp and clean.** Properly maintained cutting tools with sharp cutting edges are less likely to bind and are easier to control.
- ▶ **Use the power tool, accessories and tool bits etc. in accordance with these instructions, taking into account the working conditions and the work to be performed.**

formed. Use of the power tool for operations different from those intended could result in a hazardous situation.

Battery tool use and care

- ▶ **Recharge only with the charger specified by the manufacturer.** A charger that is suitable for one type of battery pack may create a risk of fire when used with another battery pack.
- ▶ **Use power tools only with specifically designated battery packs.** Use of any other battery packs may create a risk of injury and fire.
- ▶ **When battery pack is not in use, keep it away from other metal objects, like paper clips, coins, keys, nails, screws or other small metal objects, that can make a connection from one terminal to another.** Shorting the battery terminals together may cause burns or a fire.
- ▶ **Under abusive conditions, liquid may be ejected from the battery; avoid contact. If contact accidentally occurs, flush with water. If liquid contacts eyes, additionally seek medical help.** Liquid ejected from the battery may cause irritation or burns.

Service

- ▶ **Have your power tool serviced by a qualified repair person using only identical replacement parts.** This will ensure that the safety of the power tool is maintained.

Safety Warnings for Angle Grinder

Safety Warnings common for Grinding or Abrasive Cutting Off operations

- ▶ **Do not use accessories which are not specifically designed and recommended by the tool manufacturer.** Just because the accessory can be attached to your power tool, it does not assure safe operation.
- ▶ **The rated speed of the accessory must be at least equal to the maximum speed marked on the power tool.** Accessories running faster than their rated speed can break and fly apart.
- ▶ **The outside diameter and the thickness of your accessory must be within the capacity rating of your power tool.** Incorrectly sized accessories cannot be adequately guarded or controlled.
- ▶ **Threaded mounting of accessories must match the grinder spindle thread. For accessories mounted by flanges, the arbour hole of the accessory must fit the locating diameter of the flange.** Accessories that do not match the mounting hardware of the power tool will run out of balance, vibrate excessively and may cause loss of control.
- ▶ **Do not use a damaged accessory. Before each use inspect the accessory such as abrasive wheels for chips and cracks, backing pad for cracks, tear or excess wear, wire brush for loose or cracked wires. If power tool or accessory is dropped, inspect for damage or install an undamaged accessory. After inspecting and installing an accessory, position yourself and bystand-**

ers away from the plane of the rotating accessory and run the power tool at maximum no load speed for one minute. Damaged accessories will normally break apart during this test time.

- ▶ **Wear personal protective equipment. Depending on application, use face shield, safety goggles or safety glasses. As appropriate, wear dust mask, hearing protectors, gloves and workshop apron capable of stopping small abrasive or workpiece fragments.** The eye protection must be capable of stopping flying debris generated by various operations. The dust mask or respirator must be capable of filtering particles generated by your operation. Prolonged exposure to high intensity noise may cause hearing loss.
- ▶ **Keep bystanders a safe distance away from work area. Anyone entering the work area must wear personal protective equipment.** Fragments of workpiece or of a broken accessory may fly away and cause injury beyond immediate area of operation.
- ▶ **Never lay the power tool down until the accessory has come to a complete stop.** The spinning accessory may grab the surface and pull the power tool out of your control.
- ▶ **Do not run the power tool while carrying it at your side.** Accidental contact with the spinning accessory could snag your clothing, pulling the accessory into your body.
- ▶ **Regularly clean the power tool's air vents.** The motor's fan will draw the dust inside the housing and excessive accumulation of powdered metal may cause electrical hazards.
- ▶ **Do not operate the power tool near flammable materials.** Sparks could ignite these materials.
- ▶ **This power tool is intended to function as a grinder or cut-off tool. Read all safety warnings, instructions, illustrations and specifications provided with this power tool.** Failure to follow all instructions listed below may result in electric shock, fire and/or serious injury.
- ▶ **Operations such as sanding, wire brushing or polishing are not recommended to be performed with this power tool.** Operations for which the power tool was not designed may create a hazard and cause personal injury.
- ▶ **Do not use accessories that require liquid coolants.** Using water or other liquid coolants may result in electrocution or shock.
- ▶ **Hold the power tool by insulated gripping surfaces only, when performing an operation where the cutting accessory may contact hidden wiring.** Cutting accessory contacting a "live" wire may make exposed metal parts of the power tool "live" and could give the operator an electric shock.

Kickback and Related Warnings

Kickback is a sudden reaction to a pinched or snagged rotating wheel, backing pad, brush or any other accessory. Pinching or snagging causes rapid stalling of the rotating accessory which in turn causes the uncontrolled power tool to be

forced in the direction opposite of the accessory's rotation at the point of the binding.
 For example, if an abrasive wheel is snagged or pinched by the workpiece, the edge of the wheel that is entering into the pinch point can dig into the surface of the material causing the wheel to climb out or kick out. The wheel may either jump toward or away from the operator, depending on direction of the wheel's movement at the point of pinching. Abrasive wheels may also break under these conditions.
 Kickback is the result of power tool misuse and/or incorrect operating procedures or conditions and can be avoided by taking proper precautions as given below.

- ▶ **Maintain a firm grip on the power tool and position your body and arm to allow you to resist kickback forces. Always use auxiliary handle, if provided, for maximum control over kickback or torque reaction during start-up.** The operator can control torque reactions or kickback forces, if proper precautions are taken.
- ▶ **Never place your hand near the rotating accessory.** Accessory may kickback over your hand.
- ▶ **Do not position your body in the area where power tool will move if kickback occurs.** Kickback will propel the tool in direction opposite to the wheel's movement at the point of snagging.
- ▶ **Use special care when working corners, sharp edges etc. Avoid bouncing and snagging the accessory.** Corners, sharp edges or bouncing have a tendency to snag the rotating accessory and cause loss of control or kickback.
- ▶ **Do not attach a saw chain woodcarving blade or toothed saw blade.** Such blades create frequent kickback and loss of control.

Safety Warnings specific for Grinding and Abrasive Cutting-Off operations

- ▶ **Use only wheel types that are recommended for your power tool and the specific guard designed for the selected wheel.** Wheels for which the power tool was not designed cannot be adequately guarded and are unsafe.
- ▶ **The grinding surface of centre depressed wheels must be mounted below the plane of the guard lip.** An improperly mounted wheel that projects through the plane of the guard lip cannot be adequately protected.
- ▶ **The guard must be securely attached to the power tool and positioned for maximum safety, so the least amount of wheel is exposed towards the operator.** The guard helps to protect operator from broken wheel fragments, accidental contact with wheel and sparks that could ignite clothing.
- ▶ **Wheels must be used only for recommended applications. For example: do not grind with the side of cut-off wheel.** Abrasive cut-off wheels are intended for peripheral grinding, side forces applied to these wheels may cause them to shatter.
- ▶ **Always use undamaged wheel flanges that are of correct size and shape for your selected wheel.** Proper wheel flanges support the wheel thus reducing the pos-

sibility of wheel breakage. Flanges for cut-off wheels may be different from grinding wheel flanges.

- ▶ **Do not use worn down wheels from larger power tools.** Wheel intended for larger power tool is not suitable for the higher speed of a smaller tool and may burst.

Additional Safety Warnings specific for Abrasive Cutting Off operations

- ▶ **Do not "jam" the cut-off wheel or apply excessive pressure. Do not attempt to make an excessive depth of cut.** Overstressing the wheel increases the loading and susceptibility to twisting or binding of the wheel in the cut and the possibility of kickback or wheel breakage.
- ▶ **Do not position your body in line with and behind the rotating wheel.** When the wheel, at the point of operation, is moving away from your body, the possible kickback may propel the spinning wheel and the power tool directly at you.
- ▶ **When wheel is binding or when interrupting a cut for any reason, switch off the power tool and hold the power tool motionless until the wheel comes to a complete stop. Never attempt to remove the cut-off wheel from the cut while the wheel is in motion otherwise kickback may occur.** Investigate and take corrective action to eliminate the cause of wheel binding.
- ▶ **Do not restart the cutting operation in the workpiece. Let the wheel reach full speed and carefully re-enter the cut.** The wheel may bind, walk up or kickback if the power tool is restarted in the workpiece.
- ▶ **Support panels or any oversized workpiece to minimize the risk of wheel pinching and kickback.** Large workpieces tend to sag under their own weight. Supports must be placed under the workpiece near the line of cut and near the edge of the workpiece on both sides of the wheel.
- ▶ **Use extra caution when making a "pocket cut" into existing walls or other blind areas.** The protruding wheel may cut gas or water pipes, electrical wiring or objects that can cause kickback.

Additional safety information

Wear safety goggles.



- ▶ **Use suitable detectors to determine if there are hidden supply lines or contact the local utility company for assistance.** Contact with electric cables can cause fire and electric shock. Damaging gas lines can lead to explosion. Breaking water pipes causes property damage.
- ▶ **Do not touch grinding and cutting discs until they have cooled down.** The discs can become very hot while working.
- ▶ **Release the On/Off switch and set it to the Off position when the power supply is interrupted, e.g. when the battery pack is removed.** This prevents uncontrolled restarting.

- ▶ **In case of damage and improper use of the battery, vapours may be emitted. The battery can set alight or explode.** Ensure the area is well ventilated and seek medical attention should you experience any adverse effects. The vapours may irritate the respiratory system.
- ▶ **Do not open the battery.** There is a risk of short-circuiting.
- ▶ **The battery can be damaged by pointed objects such as nails or screwdrivers or by force applied externally.** An internal short circuit may occur, causing the battery to burn, smoke, explode or overheat.
- ▶ **Only use the battery with products from the manufacturer.** This is the only way in which you can protect the battery against dangerous overload.



Protect the battery against heat, e.g. against continuous intense sunlight, fire, dirt, water and moisture. There is a risk of explosion and short-circuiting.



- ▶ **Do not touch grinding discs until they have cooled down.** The discs can become very hot while working.
- ▶ **Secure the workpiece.** A workpiece clamped with clamping devices or in a vice is held more secure than by hand.

Product Description and Specifications



Read all the safety and general instructions.

Failure to observe the safety and general instructions may result in electric shock, fire and/or serious injury.

Please observe the illustrations at the beginning of this operating manual.

Intended use

The power tool is intended for cutting and roughing of metal, stone and wood materials, plastics, non-ferrous metals and tiles without the use of water. A specific protective guard must be used when cutting.

Product Features

The numbering of the product features refers to the diagram of the power tool on the graphics page.

- (1) Direction of rotation arrow on housing
- (2) Spindle lock button
- (3) On/off switch
- (4) Battery^{A)}
- (5) Battery release button^{A)}
- (6) Battery charge indicator
- (7) Protective guard for grinding
- (8) Grinding spindle
- (9) Handle (insulated gripping surface)
- (10) Protective guard for cutting^{A)}

(11) Clamping bolt with washer

(12) Cutting disc^{A)}

(13) Hex key

A) **Accessories shown or described are not included with the product as standard. You can find the complete selection of accessories in our accessories range.**

Technical Data

Grinder	GWS 10.8V-76	
Article number		3 601 JF2 0..
Rated voltage	V=	10.8
Rated speed ^{A)}	min ⁻¹	19,500
Max. grinding disc diameter	mm	76
Mounting diameter	mm	10
Weight according to EPTA-Procedure 01:2014 ^{A)}	kg	0.70 – 0.90
Recommended ambient temperature during charging	°C	0...+35
Permitted ambient temperature during operation ^{B)} and during storage	°C	-20 to +50
Recommended batteries		GBA 10.8V...
Recommended chargers		GAL 12... GAX 18...

A) Depends on battery in use

B) Limited performance at temperatures <0 °C

Fitting

Battery Charging

- ▶ **Use only the chargers listed in the technical data.** Only these chargers are matched to the lithium-ion battery of your power tool.

Note: The battery is supplied partially charged. To ensure full battery capacity, fully charge the battery in the charger before using your power tool for the first time.

The lithium-ion battery can be charged at any time without reducing its service life. Interrupting the charging process does not damage the battery.

The lithium-ion battery is protected against deep discharge by the "Electronic Cell Protection (ECP)". When the battery is discharged, the power tool is switched off by means of a protective circuit: The application tool no longer rotates.

- ▶ **Do not continue to press the On/Off switch after the power tool has automatically switched off.** The battery can be damaged.

Follow the instructions on correct disposal.

Removing the Battery (see figure A)

To remove the battery (4), press the release buttons (5) and pull the battery out of the power tool. **Do not use force to do this.**

Battery charge indicator

LED	Capacity
Continuous lighting 3 x green	60–100%
Continuous lighting 2 x green	30–60%
Continuous lighting 1 x green	10–30%
Slowly flashing light 1 x green	0–10%

Fitting Protective Equipment

- ▶ **Remove the battery from the power tool before carrying out work on the power tool (e.g. maintenance, changing tool, etc.). The battery should also be removed for transport and storage.** There is risk of injury from unintentionally pressing the on/off switch.

Note: If the grinding disc breaks during operation or the holding fixtures on the protective guard/power tool become damaged, the power tool must be sent to the after-sales service immediately; see the "After-Sales Service and Application Service" section for addresses.

Protective guard for cutting

- ▶ **Always use the protective guard for cutting (10) when cutting bonded abrasives.**
- ▶ **Provide sufficient dust extraction when cutting stone.**

Fitting the Protective Guard (see figure B)

Insert the protective guard for cutting (10) onto the protective guard for grinding (7) until this engages firmly.

Adjusting the Protective Guard (see figure B)

Turn the protective guard to the required position and ensure the protective guard is engaged. No tool is required for this.

Fitting the abrasive tools

- ▶ **Remove the battery from the power tool before carrying out work on the power tool (e.g. maintenance, changing tool, etc.). The battery should also be removed for transport and storage.** There is risk of injury from unintentionally pressing the on/off switch.
- ▶ **Do not touch grinding and cutting discs until they have cooled down.** The discs can become very hot while working.

Clean the grinding spindle (8) and all parts to be mounted. To tighten or loosen the abrasive tools, push the spindle lock button (2) forwards and simultaneously turn the grinding tool to fix the grinding spindle in place.

- ▶ **Do not press the spindle lock button while the grinding spindle is moving.** The power tool may become damaged if you do this.

Grinding/cutting disc

Pay attention to the dimensions of the abrasive tools. The diameter of the hole must match that of the mounting flange. Do not use an adapter or reducer.

When using diamond cutting discs, make sure that the direction of rotation arrow on the diamond cutting disc corresponds to the direction of rotation of the machine (see direction of rotation arrow on the housing).

See the graphics page for fitting instructions.

To **remove the grinding/cutting disc**, push the spindle lock button (2) forwards while simultaneously turning on the grinding/cutting disc (12) in order to fix the grinding spindle (8) in place (see figure C1).

Use a hex key (13) to remove the clamping bolt with washer (11) and take off the grinding/cutting disc (12) (see figure C2).

To **attach the grinding/cutting disc**, screw in the clamping bolt with washer (11). Tighten the bolt using the hex key (13) until the washer of the bolt is flush with the grinding/cutting disc (12) (see figure C3).

Then push the spindle lock button (2) back again (see figure C4).




- ▶ **After fitting the abrasive tool, check that the abrasive tool is fitted correctly and can turn freely before switching on the power tool. Make sure that the abrasive tool does not brush against the protective guard or other parts.**

Approved abrasive tools


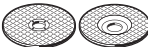
You can use all the abrasive tools mentioned in these operating instructions.



The permissible speed [min^{-1}] or the circumferential speed [m/s] of the abrasive tools used must at least match the values given in the table.

It is therefore important to observe the permissible **rotational/circumferential speed** on the label of the abrasive tool.

	max. [mm]	[mm]		
	D	b	d	[min^{-1}] [m/s]
	76	7	10	19,500 80

Selecting the Grinding/Cutting Disc

Abrasive tool		Material
	Carbide Multi Wheel	Wood (with nails), plastic, PVC, composite materials, acrylic glass, plaster, copper
	Expert for Inox	Stainless steel, steel

Abrasive tool	Material	
	Best for Ceramic	Tiles, ceramics
	Best for Hard Ceramic	Tiles, hard porcelain, fine stoneware

Dust/Chip Extraction

Dust from materials such as lead-containing coatings, some wood types, minerals and metal can be harmful to one's health. Touching or breathing-in the dust can cause allergic reactions and/or lead to respiratory infections of the user or bystanders.

Certain dust, such as oak or beech dust, is considered carcinogenic, especially in connection with wood-treatment additives (chromate, wood preservative). Materials containing asbestos may only be worked by specialists.

- Provide for good ventilation of the working place.
- It is recommended to wear a P2 filter-class respirator.

Observe the relevant regulations in your country for the materials to be worked.

- ▶ **Avoid dust accumulation at the workplace.** Dust can easily ignite.

Operation

Start-up

Inserting the battery

Note: The use of batteries unsuitable for your power tool can lead to malfunctions or damage to the power tool.

Insert the charged battery (4) into the handle of the power tool until you feel it engage and it is flush with the handle.

Switching on/off

To **start** the power tool, push the on/off switch (3) forward.

To **lock** the on/off switch (3) in position, push the on/off switch (3) forward and down until it clicks into place.

To **switch off** the power tool, release the on/off switch (3); or, if the switch is locked, briefly push the on/off switch (3) backward and down and then release it.

- ▶ **Always check abrasive tools before using them. The abrasive tool must be fitted properly and be able to move freely. Carry out a test run for at least one minute with no load. Do not use abrasive tools that are damaged, run untrue or vibrate during use.** Damaged abrasive tools can burst apart and cause injuries.

Temperature monitoring/overload protection indicator

The red LED indicator (6) helps you to protect the battery against overheating and the motor against overload.

If the LED indicator (6) is lit up **permanently in red**, the temperature of the battery is too high and the power tool switches off automatically.

- Switch the power tool off.

- Allow the battery to cool down before you carry on working.

If the LED indicator (6) is **flashing red**, then the power tool is blocked and will switch off automatically.

Pull the power tool out of the workpiece.

The power tool will continue to work as soon as the blockage is rectified.

Practical advice

- ▶ **Exercise caution when cutting slots in structural walls; see the "Information on structural design" section.**
- ▶ **When cutting lightweight materials, take into account the statutory provisions and recommendations of the material manufacturer.**
- ▶ **Clamp the workpiece if it is not secure under its own weight.**
- ▶ **Do not load the power tool so heavily that it comes to a stop.**
- ▶ **If the power tool has been subjected to a heavy load, continue to run it at no-load for several minutes to cool down the accessory.**
- ▶ **Do not use the power tool with a cut-off stand.**
- ▶ **Do not touch grinding and cutting discs until they have cooled down.** The discs can become very hot while working.

If the power tool becomes electrostatically charged, the built-in electronics will switch the power tool off. Press the on/off switch (3) again to restart the power tool.

Rough grinding

- ▶ **Never use cutting discs for rough grinding.**

The best rough grinding results are achieved with a set angle of 30° to 40°. Move the power tool back and forth with moderate pressure. This will ensure that the workpiece does not become too hot or discolour and that grooves are not formed.

Cutting metal

- ▶ **Always use the protective guard for cutting (10) when cutting bonded abrasives.**

When carrying out abrasive cutting, use a moderate feed that is suited to the material being machined. Do not exert pressure on the cutting disc and do not tilt or swing the power tool.

Do not attempt to reduce the speed of a cutting disc coming to a stop by applying pressure from the side.

The power tool must always work in an up-grinding motion. Otherwise there is a risk that it will be pushed **uncontrolled** out of the cut.

For best results when cutting profiles and rectangular tubing, start at the smallest cross section.

Cutting Stone

- ▶ **Provide sufficient dust extraction when cutting stone.**
- ▶ **Wear a dust mask.**

► **The power tool may be used only for dry cutting/grinding.**

For cutting stone, it is best to use a diamond cutting disc. When cutting especially hard materials such as concrete with a high pebble content, the diamond cutting disc can overheat and become damaged as a result. This is clearly indicated by circular sparking, rotating with the diamond cutting disc.

If this happens, stop cutting and allow the diamond cutting disc to cool down by running the power tool for a short time at maximum speed with no load.

If work is noticeably slower and circular sparking is present, this indicates that the diamond cutting disc has become blunt. You can sharpen the disc by briefly cutting into abrasive material (e.g. lime-sand brick).

Information on structural design

Slots in load-bearing walls are subject to DIN 1053 part 1 or country-specific regulations. These regulations must be observed under all circumstances. Seek advice from the responsible structural engineer, architect or construction supervisor before starting work.

Recommendations for optimal handling of the battery

Protect the battery against moisture and water.

Only store the battery only within a temperature range of -20 to 50 °C. Do not leave the battery in your car in the summer, for example.

Occasionally clean the ventilation slots on the battery using a soft brush that is clean and dry.

A significantly reduced operating time after charging indicates that the battery has deteriorated and must be replaced.

Follow the instructions on correct disposal.

Maintenance and Service

Maintenance and Cleaning

► **Remove the battery from the power tool before carrying out work on the power tool (e.g. maintenance, changing tool, etc.). The battery should also be removed for transport and storage.** There is risk of injury from unintentionally pressing the on/off switch.

► **To ensure safe and efficient operation, always keep the power tool and the ventilation slots clean.**

Store and handle the accessories carefully.

After-Sales Service and Application Service

Our after-sales service responds to your questions concerning maintenance and repair of your product as well as spare parts. You can find explosion drawings and information on spare parts at: www.bosch-pt.com

The Bosch product use advice team will be happy to help you with any questions about our products and their accessories.

In all correspondence and spare parts orders, please always include the 10-digit article number given on the nameplate of the product.

Cambodia

Robert Bosch (Cambodia) Co., Ltd
Unit 8BC, GT Tower, 08th Floor, Street 169,
Czechoslovakia Blvd, Sangkat Veal Vong
Khan 7 Makara, Phnom Penh
VAT TIN: 100 169 511
Tel.: +855 23 900 685
Tel.: +855 23 900 660
www.bosch.com.kh

People's Republic of China China Mainland

Bosch Power Tool (China) Co. Ltd.
Bosch Service Center
567, Bin Kang Road
Bin Kang District
Hangzhou, Zhejiang Province
China 310052
Tel.: (0571) 8887 5566 / 5588
Fax: (0571) 8887 6688 x 5566# / 5588#
E-Mail: bsc.hz@cn.bosch.com
www.bosch-pt.com.cn

HK and Macau Special Administrative Regions

Robert Bosch Co. Ltd.
Flat B, 2/F, Yeung Yiu Chung No. 6 Industrial Building,
19 Cheung Shun Street
Cheung Sha Wan
Kowloon, Hong Kong
Customer Service Hotline: +852 2101 0235
Fax: +852 2590 9762
E-Mail: info@hk.bosch.com
www.bosch-pt.com.hk

India

Bosch Service Center
69, Habibullah Road, (Next to PSBB School), T. Nagar
Chennai-600077
Phone: (044) 64561816
Bosch Service Center
18, Community Center
Phase 1, Mayapuri
New Delhi-110064
Phone: (011) 43166190

Indonesia

PT Robert Bosch
Palma Tower 10th Floor
Jalan RA Kartini II-S Kaveling 6
Pondok Pinang, Kebayoran Lama
Jakarta Selatan 12310
Tel.: (21) 3005-5800
www.bosch-pt.co.id

Malaysia

Robert Bosch Sdn. Bhd.(220975-V) PT/SMY
No. 8A, Jalan 13/6
46200 Petaling Jaya
Selangor
Tel.: (03) 79663194
Toll-Free: 1800 880188
Fax: (03) 79583838

E-Mail: kiathoe.chong@my.bosch.com
www.bosch-pt.com.my

Pakistan

Robert Bosch Middle East FZE – Pakistan Liaison Office
2nd Floor Plaza # 10, CCA Block, DHA Phase 5
Lahore, 54810
Phone: +92(303)4444311
Email: Faisal.Khan@bosch.com

Philippines

Robert Bosch, Inc.
28th Floor Fort Legend Towers,
3rd Avenue corner 31st Street,
Fort Bonifacio, Global City,
1634 Taguig City
Tel.: (632) 8703871
Fax: (632) 8703870
www.bosch-pt.com.ph

Singapore

Powerwell Service Centre Ptd Ltd
Bosch Authorised Service Centre (Power Tools)
4012 Ang Mo Kio Ave 10, #01-02 TECHplace
Singapore 569628
Tel.: 6452 1770
Fax: 6452 1760
E-Mail: ask@powerwellsc.com
www.powerwellsc.com
www.bosch-pt.com.sg

Thailand

Robert Bosch Ltd.
FYI Center Tower 1, 5th Floor,
2525 Rama IV Road, Klongtoei,
Bangkok 10110
Tel.: 02 0128888
Fax: 02 0645802
www.bosch.co.th
Bosch Service – Training Centre
La Salle Tower Ground Floor Unit No.2
10/11 La Salle Moo 16
Srinakharin Road
Bangkaew, Bang Plee
Samutprakarn 10540
Tel.: 02 7587555
Fax: 02 7587525

Vietnam

Branch of Bosch Vietnam Co., Ltd in HCMC
14th floor, Deutsches Haus, 33 Le Duan
Ben Nghe Ward, District 1, Ho Chi Minh City
Tel.: (028) 6258 3690
Fax: (028) 6258 3692 - 6258 3694
Hotline: (028) 6250 8555
Email: tuvankhachhang-pt@vn.bosch.com
www.bosch-pt.com.vn

Bahrain

EA Juffali and Brothers for Technical Equipment Company.
Kingdom of Bahrain, Al Aker - Block 0624 - Road 2403 -
Building 0055D

Phone: +97317704537
Fax: +973177045257
Email: h.berjas@ejab.com.sa

Egypt

RBEG-LLC
22 Kamal Eldin Hussein
Sheraton Heliopolis
11799 Cairo
E-mail: boschegypt.powertools@eg.bosch.com

Iran

Robert Bosch Iran
3rd Floor, No 3, Maadiran Building
Aftab St., Khodami St., Vanak Sq.
Tehran 1994834571
Phone: +9821- 86092057

Iraq

Sahba Technology Group
Al Muthana airport road
Baghdad
Phone Bagdad: +964 (0) 7 901 930366
Phone Dubai: +971 (0) 4 422 1898
Email: duraid@sahbatechnology.com

Jordan

Roots Arabia – Jordan
Al-Hurriyah Street, Al-Muqabalein
Amman 11623, Jordan
P.O. Box: 110068
Tel. : +962 6 4398990
E-mail: bosch@rootsjordan.com

Kuwait

Shuwaikh Industrial Area, Block 1, Plot 16, Street 3rd
P.O. Box 164 – Safat 13002
Phone: +965 - 2496 88 88
Fax: +965 - 2481 08 79
E-mail: josephkr@aaalmutawa.com

Lebanon

Tehini Hana & Co. S.A.R.L.
P.O. Box 90-449
Jdeideh 1202 2040
Dora-Beirut
Phone: +9611255211
Email: service-pt@tehini-hana.com

Libya

El Naser for Workshop Tools
Swanee Road, Alfalah Area
Tripoli
Phone: +218 21 4811184

Oman

Malatan Trading & Contracting LLC
P.O. Box 131, Ruwi, Muscat
Postal Code: 112, Sultanate of Oman
Phone: +968 2479 4035/4089/4901
Mob: +968-91315465
Fax: +968 2479 4058
E-Mail: sudhirkumar@malatan.net

Qatar

International Construction Solutions W L L
P. O. Box 51, Doha
Phone: +974 40065458
Fax: +974 4453 8585
Email: csd@icsdoha.com

Saudi Arabia

Juffali Technical Equipment Co. (JTECO)
P.O.Box: 1049 – Jeddah 21431 – KSA
Jeddah: 00966 (0) 12 692 0770 – Ext 433
Riyadh: 00966 (0) 11 409 3976 – Ext-30/34/39
Dammam: 00966 (0) 13 833 9565
E-mail: M.Zreik@ejab.com.sa

Syria

Dallal Establishment for Power Tools
Damascus. Baramkeh street - Ibn Amer street,
Phone: +963112241006 or 009631122414009
Mobile: 00963991141005
Email: rita.dallal@hotmail.com

United Arab Emirates

Central Motors & Equipment,
P.O. Box 26255, Dubai
Dubai: 00971 (0) 4 3090920/3090930
Abu Dhabi: 00971 (0) 2 4017745
Sharjah: 00971 (0) 6 5932777
Al Ain: 00971 (0) 3 7157419
E-Mail: Mallappa.Madari@centralmotors.ae

Yemen

Abu Alrejal Trading Corporation
P.O. Box : 17024 , Zubeiry St.
Sana'a, Yemen
Tel: +967-1-20 20 10
Fax: +967-1-47 19 17
E-mail: tech-tools@abualrejal.com/yahya@abualrejal.com

Ethiopia

Forever plc
Kebele 2,754, BP 4806,
Addis Ababa
Phone: +251 111 560 600
Email: foreverplc@ethionet.et

Ghana

Robert Bosch Ghana Limited
21 Kofi Annan Road Airport Residential Area Accra
Tel. +233 (0)3027 94616

Kenya

Robert Bosch East Africa Ltd
Mpaka Road P.O. Box 856
00606 Nairobi

Nigeria

Robert Bosch Nigeria Ltd.
52–54 Isaac John Street P.O. Box
GRA Ikeja – Lagos

Tanzania

Diesel & Autoelectric Service Ltd.
117 Nyerere Rd., P.O. Box 70839

Vingunguti 12109, Dar Es Salaam
Phone: +255 222 861 793/794

Australia, New Zealand and Pacific Islands

Robert Bosch Australia Pty. Ltd.
Power Tools
Locked Bag 66
Clayton South VIC 3169
Customer Contact Center
Inside Australia:
Phone: (01300) 307044
Fax: (01300) 307045
Inside New Zealand:
Phone: (0800) 543353
Fax: (0800) 428570
Outside AU and NZ:
Phone: +61 3 95415555
www.bosch-pt.com.au
www.bosch-pt.co.nz

**Republic of South Africa
Customer service**

Hotline: (011) 6519600

Gauteng – BSC Service Centre

35 Roper Street, New Centre
Johannesburg
Tel.: (011) 4939375
Fax: (011) 4930126
E-Mail: bsctools@icon.co.za

KZN – BSC Service Centre

Unit E, Almar Centre
143 Crompton Street
Pinetown
Tel.: (031) 7012120
Fax: (031) 7012446
E-Mail: bsc.dur@za.bosch.com

Western Cape – BSC Service Centre

Democracy Way, Prosperity Park
Milnerton
Tel.: (021) 5512577
Fax: (021) 5513223
E-Mail: bsc@zsd.co.za

Bosch Headquarters

Midrand, Gauteng
Tel.: (011) 6519600
Fax: (011) 6519880
E-Mail: rbsa-hq.pts@za.bosch.com

Armenia, Azerbaijan, Georgia

Robert Bosch Ltd.
David Agmashenebeli ave. 61
0102 Tbilisi, Georgia
Tel. +995322510073
www.bosch.com

**Kyrgyzstan, Mongolia, Tajikistan, Turkmenistan,
Uzbekistan**

TOO "Robert Bosch" Power Tools, After Sales Service
Muratbaev Ave., 180
050012, Almaty, Kazakhstan

Service Email: service.pt.ka@bosch.com
 Official Website: www.bosch.com, www.bosch-pt.com

Transport

The contained lithium-ion batteries are subject to the Dangerous Goods Legislation requirements. The batteries are suitable for road-transport by the user without further restrictions.

When shipping by third parties (e.g.: by air transport or forwarding agency), special requirements on packaging and labelling must be observed. For preparation of the item being shipped, consulting an expert for hazardous material is required.

Dispatch battery packs only when the housing is undamaged. Tape or mask off open contacts and pack up the battery in such a manner that it cannot move around in the packaging. Please also observe the possibility of more detailed national regulations.

Disposal



Power tools, rechargeable batteries, accessories and packaging should be sorted for environmental-friendly recycling.



Do not dispose of power tools and batteries/rechargeable batteries into household waste!

Battery packs/batteries:

Li-ion:

Please observe the notes in the section on transport (see "Transport", page 15).

한국어

안전 수칙

전동공구용 일반 안전수칙

경고

모든 안전수칙과 지시 사항을 상세히 읽고 지켜야 합니다. 다

음의 안전수칙과 지시 사항을 준수하지 않으면 화재 위험이 있으며 감전 혹은 중상을 입을 수 있습니다.

앞으로 참고할 수 있도록 이 안전수칙과 사용 설명서를 잘 보관하십시오.

다음에서 사용되는 "전동공구"라는 개념은 전원에 연결하여 사용하는 (전선이 있는) 전동 기기나 배터리를 사용하는 (전선이 없는) 전동 기기를 의미합니다.

작업장 안전

- ▶ **작업장을 항상 깨끗이 하고 조명을 밝게 하십시오.** 작업장 환경이 어수선하거나 어두우면 사고를 초래할 수 있습니다.
- ▶ **가연성 유체, 가스 또는 분진이 있어 폭발 위험이 있는 환경에서 전동공구를 사용하지 마십시오.**

전동공구는 분진이나 증기에 점화하는 스파크를 일으킬 수 있습니다.

- ▶ **전동공구를 사용할 때 구경꾼이나 어린이 혹은 다른 사람이 작업장에 접근하지 못하게 하십시오.** 다른 사람이 주의를 산만하게 하면 기기에 대한 통제력을 잃기 쉽습니다.

전기에 관한 안전

- ▶ **전동공구의 전원 플러그가 전원 콘센트에 잘 맞아야 합니다.** 플러그를 절대 변경시켜서는 안 됩니다. (접지된) 전동공구를 사용할 때 어댑터 플러그를 사용하지 마십시오. 변형되지 않은 플러그와 잘 맞는 콘센트를 사용하면 감전의 위험을 줄일 수 있습니다.
- ▶ **파이프 관, 라디에이터, 레인지, 냉장고와 같은 접지 표면에 몸이 닿지 않도록 하십시오.** 몸에 닿을 경우 감전될 위험이 높습니다.
- ▶ **전동공구를 비에 맞지 않게 하고 습기 있는 곳에 두지 마십시오.** 전동공구에 물이 들어가면 감전될 위험이 높습니다.
- ▶ **전원 코드를 잘못 사용하는 일이 없도록 하십시오.** 전원 코드를 잡고 전동공구를 운반해서는 안 되며, 콘센트에서 전원 플러그를 뽑을 때 전원 코드를 잡아 당겨서는 절대로 안 됩니다. 전원 코드가 열과 오일에 접촉하는 것을 피하고, 날카로운 모서리나 기기의 가동 부위에 닿지 않도록 주의 하십시오. 손상되거나 영긴 전원 코드는 감전을 유발할 수 있습니다.
- ▶ **실외에서 전동공구로 작업할 때는 실외용으로 적당한 연장 전원 코드만을 사용하십시오.** 실외용 연장 전원 코드를 사용하면 감전의 위험을 줄일 수 있습니다.
- ▶ **전동공구를 습기 찬 곳에서 사용해야 할 경우에는 누전 차단기를 사용하십시오.** 누전 차단기를 사용하면 감전 위험을 줄일 수 있습니다.

사용자 안전

- ▶ **신중하게 작업하며, 전동공구를 사용할 때 경솔하게 행동하지 마십시오.** 피로한 상태이거나 약물 복용 및 음주한 후에는 전동공구를 사용하지 마십시오. 전동공구를 사용할 때 잠시라도 주의가 산만해지면 중상을 입을 수 있습니다.
- ▶ **작업자 안전을 위한 장치를 사용하십시오.** 항상 보안경을 착용하십시오. 전동공구의 종류와 사용에 따라 먼지 보호 마스크, 미끄러지지 않는 안전한 신발, 안전모 또는 귀마개 등의 안전한 복장을 하면 상해의 위험을 줄일 수 있습니다.
- ▶ **실수로 기기가 작동되지 않도록 주의하십시오.** 전동공구를 전원에 연결하거나 배터리를 끼우기 전에, 혹은 기기를 들거나 운반하기 전에, 전원 스위치가 꺼져 있는지 다시 확인하십시오. 전동공구를 운반할 때 전원 스위치에 손가락을 대거나 전원 스위치가 켜진 상태에서 전원을 연결하면 사고 위험이 높습니다.
- ▶ **전동공구를 사용하기 전에 조절하는 톨이나 키 등을 빼 놓으십시오.** 회전하는 부위에 있는 톨이나 키로 인해 상처를 입을 수 있습니다.

- ▶ 자신을 과신하지 마십시오. 불안정한 자세를 피하고 항상 평형을 이룬 상태로 작업하십시오. 안정된 자세와 평형한 상태로 작업해야만이 의외의 상황에서도 전동공구를 안전하게 사용할 수 있습니다.
- ▶ 알맞은 작업복을 입으십시오. 헐렁한 복장을 하거나 장신구를 착용하지 마십시오. 머리카락 또는 장갑이 가동하는 기기 부위에 가까이 닿지 않도록 주의하십시오. 헐렁한 복장, 장신구 혹은 긴 머리는 가동 부위에 말려 사고를 초래할 수 있습니다.
- ▶ 분진 추출장치나 수거장치의 조립이 가능한 경우, 이 장치가 연결되어 있는지, 제대로 작동이 되는지 확인하십시오. 이러한 분진 추출장치를 사용하면 분진으로 인한 사고 위험을 줄일 수 있습니다.

전동공구의 올바른 사용과 취급

- ▶ 기기를 과부하 상태에서 사용하지 마십시오. 작업할 때 이에 적당한 전동공구를 사용하십시오. 알맞은 전동공구를 사용하면 지정된 성능 한도 내에서 더 효율적으로 안전하게 작업할 수 있습니다.
- ▶ 전원 스위치가 고정 난 전동공구를 사용하지 마십시오. 전원 스위치가 작동되지 않는 전동공구는 위험하므로, 반드시 수리를 해야 합니다.
- ▶ 기기에 세팅을 하거나 액세서리 부품을 교환하거나 혹은 기기를 보관할 때, 항상 전원 콘센트에서 플러그를 미리 빼어 놓으십시오. 이러한 조치는 실수로 전동공구가 작동하게 되는 것을 예방합니다.
- ▶ 사용하지 않는 전동공구는 어린이 손이 닿지 않는 곳에 보관하고, 전동공구 사용에 익숙지 않거나 이 사용 설명서를 읽지 않은 사람은 기기를 사용해서는 안 됩니다. 경험이 없는 사람이 전동공구를 사용하면 위험합니다.
- ▶ 전동공구를 조심스럽게 관리하십시오. 가동 부위가 하자 없이 정상적인 기능을 하는지, 걸리는 부위가 있는지, 혹은 전동공구의 기능에 중요한 부품이 손상되지 않았는지 확인하십시오. 손상된 기기의 부품은 전동공구를 다시 사용하기 전에 반드시 수리를 맡기십시오. 제대로 관리하지 않은 전동공구의 경우 많은 사고를 유발합니다.
- ▶ 절단 공구를 날카롭고 깨끗하게 관리하십시오. 날카로운 절단면이 있고 잘 관리된 절단공구는 걸리는 경우가 드물고 조절하기도 쉽습니다.
- ▶ 전동공구, 액세서리, 장착하는 공구 등을 사용할 때, 이 지시 사항과 특별히 기종 별로 나와있는 사용 방법을 준수하십시오. 이때 작업 조건과 실시하려는 작업 내용을 고려하십시오. 원래 사용 분야가 아닌 다른 작업에 전동공구를 사용할 경우 위험한 상황을 초래할 수 있습니다.

충전 전동공구의 올바른 사용과 취급

- ▶ 배터리를 충전할 때 제조 회사가 추천하는 충전기만을 사용하여 재충전해야 합니다. 특정 제품의 배터리를 위하여 제조된 충전기에 적합하지 않은 다른 배터리를 충전할 경우 화재 위험이 있습니다.

- ▶ 각 전동공구용으로 나와있는 배터리만을 사용하십시오. 다른 종류의 배터리를 사용하면 상해를 입거나 화재를 초래할 수 있습니다.
- ▶ 배터리를 사용하지 않을 때는, 각 극을 자극 할 수 있는 페이퍼 클립, 동전, 열쇠, 못, 나사 등 유사한 금속성 물체와 멀리하여 보관하십시오. 배터리 극 사이에 쇼트가 일어나 화상을 입거나 화재를 야기할 수 있습니다.
- ▶ 배터리를 잘못 사용하면 누수가 생길 수 있습니다. 누수가 생긴 배터리에 닿지 않도록 하십시오. 피부에 접촉하게 되었을 경우 즉시 물로 씻으십시오. 유체가 눈에 닿았을 경우 바로 의사와 상담하십시오. 배터리에서 나오는 유체는 피부에 자극을 주거나 화상을 입힐 수 있습니다.

서비스

- ▶ 전동공구 수리는 반드시 전문 인력에게 맡기고, 수리 정비 시 보쉬 순정 부품만을 사용하십시오. 그렇게 함으로써 기기의 안전성을 오래 유지할 수 있습니다.

앵글 그라인딩에 대한 안전 경고사항

그라인딩 및 연삭 절단 작업에 대한 일반 안전 경고 사항

- ▶ 명확하게 설계되지 않았거나 공구 제조사에서 권장하지 않는 액세서리는 사용하지 마십시오. 액세서리를 공구에 부착할 수 있다고 해서 안전한 작동이 보장되는 것은 아닙니다.
- ▶ 액세서리의 정격 속도는 적어도 공구에 표시되어 있는 최고 속도와 동일해야 합니다. 정격 속도보다 빠르게 작동되는 액세서리는 파손되어 분리될 수 있습니다.
- ▶ 액세서리의 외경 및 두께는 공구가 수용할 수 있는 범위 내에 있어야 합니다. 액세서리의 사이즈가 부정확한 경우 제대로 보호받지 못하거나 제 어되지 않을 수 있습니다.
- ▶ 액세서리에 끼워진 마운팅은 그라인더 스피들 나사산과 일치해야 합니다. 플랜지가 장착된 액세서리의 경우 액세서리의 주축 구멍이 플랜지의 로케이팅 직경에 맞아야 합니다. 전동공구의 하드웨어에 맞지 않는 액세서리를 장착할 경우 중심을 잃고 과도하게 진동하며, 통제력을 상실하게 됩니다.
- ▶ 손상된 액세서리를 사용하지 마십시오. 사용하기 전에 항상 연삭 휠이 깎이거나 갈라지지 않았는지, 이면 패드가 갈라지거나 또는 찢어지거나 과도하게 마모되지 않았는지, 와이어 브러시의 와이어가 느슨하거나 갈라지지 않았는지 액세서리를 점검하십시오. 전동공구나 액세서리를 떨어뜨린 경우 손상된 부분이 있는지 확인하고, 손상된 경우 손상되지 않은 액세서리를 설치하십시오. 액세서리를 점검 및 설치한 뒤 회전하는 액세서리 작업대에서 거리를 멀리 유지하고 전동공구를 1분 간 최대 무부하 속도로 작동시키십시오. 액세서리가 손상된 경우 일반적으로 테스트 도중에 떨어져 나갈 것입니다.
- ▶ 신체 보호 장비를 착용하십시오. 용도에 따라 안전 면 보호구, 안전 고글 또는 보안경을 착용하십시오.

오. 필요한 경우, 작은 연삭 파편 또는 가공품 파편을 막을 수 있는 방진 마스크, 청력 보호구, 장갑 및 작업용 앞치마를 착용하십시오. 보안경은 여러 작업을 진행하면서 생성되는 비산 파편들을 차단할 수 있어야 합니다. 마스크나 방독 마스크는 작업하면서 생성되는 먼지를 걸러낼 수 있어야 합니다. 오랫동안 고강도의 소음에 노출되면 청력이 손상될 수 있습니다.

- ▶ 주변 사람들이 작업 영역으로부터 안전거리를 유지하게 하십시오. 작업 영역에 진입하는 사람은 모두 신체 보호 장치를 착용해야 합니다. 가공품 또는 손상된 액세서리 파편이 작업 중인 곳을 벗어나서 날아가 부상을 초래할 수 있습니다.
- ▶ 액세서리가 완전히 멈출 때까지 절대 전동공구를 내려 놓지 마십시오. 회전 액세서리가 표면에 달라붙어 전동공구를 제어하지 못하게 될 수 있습니다.
- ▶ 전동공구를 곁에 두고 이동시킬 때 공구를 작동시키지 마십시오. 실수로 회전 액세서리에 닿게 되면 옷이 휘감겨 액세서리가 몸에 박힐 수 있습니다.
- ▶ 전동공구의 통풍구를 주기적으로 청소하십시오. 모터의 팬은 하우징 내부로 먼지를 흡입하는데, 금속 가루가 너무 많이 쌓이면 전기 사고 위험을 초래할 수 있습니다.
- ▶ 가연성 소재 근처에서 전동공구를 작동시키지 마십시오. 스파크로 인해 점화될 수 있습니다.
- ▶ 본 전동공구는 그라인더 또는 연삭 절단 공구와 같은 용도로 사용하기 위해 설계되었습니다. 본 전동공구와 함께 제공된 모든 안전경고, 지시사항, 그림 및 사양을 숙지하십시오. 다음의 지시 사항을 준수하지 않으면 감전, 화재, 또는 심각한 부상을 초래할 수 있습니다.
- ▶ 본 전동공구로 샌딩, 와이어 브러싱 또는 폴리싱과 같은 작업을 진행하는 것은 권장하지 않습니다. 본 전동공구의 설계 용도에 부합하지 않는 작업은 위험 상황 및 몸의 부상을 야기할 수 있습니다.
- ▶ 냉각용 액체가 필요한 액세서리는 사용하지 마십시오. 물이나 기타 액체 냉매를 이용하면 감전되거나 감전사할 수 있습니다.
- ▶ 절단용 액세서리가 숨겨진 배선에 접촉할 가능성이 있는 작업을 수행할 경우, 전동공구의 절연된 손잡이 면만 잡으십시오. 절단용 액세서리가 "전류가 흐르는" 전선에 접촉되면, 전동공구의 노출된 금속 부품에 "전류가 흐르는" 상태로 만들어 작업자가 감전될 수 있습니다.

반동 및 관련 경고사항

반동이란 회전하는 휠, 이면 패드, 브러시 또는 기타 액세서리가 꼭 끼이거나 장애물에 걸려 생기는 갑작스런 반작용을 의미합니다. 장애물에 끼이거나 걸리게 되면 회전하는 액세서리가 빠른 속도로 멈추게 되고, 이로 인해 통제력을 잃은 전동공구는 걸린 지점에서 액세서리 회전 방향의 반대 방향으로 밀립니다.

예를 들어, 연삭 휠이 가공품에 걸리거나 끼일 경우, 끼인 지점으로 들어가는 휠 가장자리가 가공물의 표

면을 파고 들어 휠이 튕겨 나올 수 있습니다. 끼인 지점에서의 휠 운동 방향에 따라 휠이 작업자 측 또는 그 반대 방향으로 튕 수 있습니다. 이러한 경우에는 연마 휠도 파손될 수 있습니다.

반동은 공구를 잘못 사용하거나 잘못된 조작 절차 또는 조건으로 인해 발생할 수 있으며 아래와 같은 적절한 예방 조치를 통해 반동을 막을 수 있습니다.

- ▶ 전동공구를 꼭 잡고 반발력에 저항할 수 있는 자세를 유지하십시오. 보조 손잡이가 있는 경우 항상 보조 손잡이를 이용하여 반동이나 시동 중에 토크 반발력을 최대한 제어할 수 있도록 하십시오. 작업자가 적절한 예방 조치를 취한다면 토크 반발력이나 반동력을 제어할 수 있습니다.
- ▶ 회전하는 액세서리에 손을 절대 가까이 두지 마십시오. 액세서리가 손쪽으로 튕겨 나올 수 있습니다.
- ▶ 반동으로 인해 전동공구가 튕겨 나올 수 있는 곳에서 있지 마십시오. 반동은 휠이 걸린 지점에서 공구가 휠 움직임과 반대되는 방향으로 튕겨 나가게 합니다.
- ▶ 모서리, 날카로운 가장자리 등을 가공할 때는 특히 주의하십시오. 액세서리가 튕겨 나가거나 걸리지 않게 하십시오. 모서리, 날카로운 가장자리 또는 탄성력이 있는 부분에는 회전하는 액세서리가 걸려 통제력을 잃거나 튀어 오르기 쉽습니다.
- ▶ 전기톱 목공용 날이나 톱니가 있는 톱날을 부착하지 마십시오. 이러한 톱날은 반동을 유발하거나 통제력을 잃게 하는 경우가 많습니다.

그라인딩 및 연삭 절단 작업에 대한 추가 안전 경고 사항

- ▶ 사용하는 전동공구에 권장하는 유형의 휠 및 선택한 휠용으로 설계된 특수 보호대만 사용하십시오. 전동공구의 설계에 맞지 않는 휠은 제대로 보호되지 않으며, 안전하지 않습니다.
- ▶ 가운데 부분이 눌린 휠의 연마 표면은 가드 립의 평면 아래에 장착되어야 합니다. 가드 립의 면을 통해 나오는 휠이 제대로 장착되지 않으면 휠이 제대로 보호받을 수 없습니다.
- ▶ 전동공구에 가드를 단단히 장착하고 안착시켜야만 안전성이 극대화되고, 작업자 쪽으로 최소한의 휠 부분이 노출됩니다. 가드는 휠 파편의 손상, 실수로 휠과 접촉하거나, 옷에 붙이 붙을 수 있는 스파크로부터 작업자를 보호해 줍니다.
- ▶ 휠은 권장된 용도로만 사용해야 합니다. 예를 들어, 절단 휠 측면에 그라인딩 작업을 하지 마십시오. 연삭 절단 휠은 원주 연삭 용도로 사용되며, 휠의 측면에 힘을 주면 산산이 부서질 수 있습니다.
- ▶ 항상 선택한 휠에 맞는 크기와 모양을 갖춘 손상되지 않은 휠 플랜지를 사용하십시오. 적합한 휠 플랜지는 휠을 받쳐주어 휠이 파손될 가능성을 줄여줍니다. 절단 휠 플랜지는 연마 휠 플랜지와 차이가 있을 수 있습니다.
- ▶ 더 큰 전동공구에서 사용했던 마모된 휠을 사용하지 마십시오. 더 큰 전동공구용으로 제작된 휠은 작은 공구의 빠른 속도에 적합하지 않아 파열될 수 있습니다.

연삭 절단 작업에 대한 추가 안전 경고사항

- ▶ 절단 휠이 “걸리게” 하거나 과도한 압력을 가하지 마십시오. 지나치게 깊이 절단하려 하지 마십시오. 휠에 과도한 압력을 가하면 부하가 증가해 휠이 뒤틀리거나 절단 부위에 고착되고, 반동이 생기거나 또는 휠이 파손될 수 있습니다.
- ▶ 회전하는 휠과 일직선상 또는 뒤쪽에서 있지 마십시오. 작업 위치에서 휠이 작업자의 몸에서 멀어져 가고 있을 경우 반동으로 인해 회전하는 휠과 전동공구가 작업자에게 바로 튕겨나갈 수 있습니다.
- ▶ 어떤 이유로든 휠이 고착되거나 절단되지 않을 경우 전동공구의 전원을 끄고 휠이 완전히 멈출 때까지 전동공구를 잡고 계십시오. 휠이 움직이는 동안은 절단 부위에서 절단 휠을 떼어내지 마십시오. 그렇지 않으면 반동이 생길 수 있습니다. 점검한 후 휠 고착 원인을 제거하십시오.
- ▶ 가공물에서 다시 절단 작업을 시작하지 마십시오. 휠이 최대 속도에 도달하면 조심스럽게 다시 절단을 시작하십시오. 가공물에서 다시 전동공구를 가동하면 휠이 고착되거나 가공물을 타고 휩 올라가거나 튕겨나갈 수 있습니다.
- ▶ 패널 또는 사이즈가 큰 가공물은 받침대로 받쳐 주어 휠이 끼여 반동이 발생할 수 있는 위험을 최소화하여 줄이십시오. 가공물이 너무 크면 그 무게로 인해 처질 수 있습니다. 받침대는 가공물 아래 절단선 가까이, 그리고 휠 양쪽의 가공물 가장자리 가까이에 배치해야 합니다.
- ▶ 기존의 벽 또는 앞이 안 보이는 다른 곳에 “포켓 절단 작업”을 할 때는 각별히 주의하십시오. 휠이 전진하면서 가스관이나 수도관, 전기 배선 또는 반동을 유발할 수 있는 물체를 절단할 수 있습니다.

추가 안전 경고사항

보안경을 착용하십시오.



- ▶ 보이지 않는 부위에 에너지 배선 및 배관 여부를 확인하려면 적당한 탐지기를 사용하거나 담당 전력 공급회사에 문의하십시오. 전선에 접하게 되면 화재나 전기 충격을 야기할 수 있습니다. 가스관을 손상시키면 폭발 위험이 있습니다. 수도관을 파손하게 되면 재산 피해를 야기할 수 있습니다.
- ▶ 완전히 식을 때까지 연마석이나 절단석을 만지지 마십시오. 작업 시 매우 뜨거워지기 때문입니다.
- ▶ 배터리 분리 등으로 인해 전원 공급이 중단된 경우 전원 스위치를 풀고 OFF 위치에 놓으십시오. 이렇게 하면 실수로 기기가 다시 작동하는 것을 방지할 수 있습니다.
- ▶ 배터리가 손상되었거나 잘못 사용될 경우 증기가 발생할 수 있습니다. 배터리에서 화재가 발생하거나 폭발할 수 있습니다. 작업장을 환기시키고, 필요한 경우 의사와 상담하십시오. 증기로 인해 호흡기가 자극될 수 있습니다.

- ▶ 배터리를 분해하지 마십시오. 단락이 발생할 위험이 있습니다.
- ▶ 못이나 스크류 드라이버 같은 뾰족한 물체 또는 외부에서 오는 충격 등으로 인해 축전지가 손상될 수 있습니다. 내부 단락이 발생하여 배터리가 타거나 연기가 발생하고, 폭발 또는 과열될 수 있습니다.
- ▶ 제조사의 배터리 제품만 사용하십시오. 그나마만 배터리 과부하의 위험을 방지할 수 있습니다.



배터리를 태양 광선 등 고열에 장시간 노출되지 않도록 하고 불과 오염물질, 물, 수분이 있는 곳에 두지 마십시오. 폭발 및 단락의 위험이 있습니다.



- ▶ 완전히 식을 때까지 연마석을 만지지 마십시오. 작업 시 매우 뜨거워지기 때문입니다.
- ▶ 작업물을 잘 고정하십시오. 고정장치나 기계 바이스에 끼워서 작업하면 손으로 잡는 것보다 더 안전합니다.

제품 및 성능 설명



모든 안전 수칙과 지침을 숙지하십시오. 다음의 안전 수칙과 지침을 준수하지 않으면 화재 위험이 있으며 감전 혹은 중상을 입을 수 있습니다.

사용 설명서 앞 부분에 제시된 그림을 확인하십시오.

규정에 따른 사용

본 전동공구는 물을 사용하지 않고 금속, 석재 및 목재, 플라스틱, 비철금속 및 타일에 절단작업 및 연마 작업을 하기 위한 용도로 고안되었습니다. 절단작업을 할 경우 특수한 안전반을 사용해야 합니다.

제품의 주요 명칭

제품의 주요 명칭에 표기되어 있는 번호는 기기 그림이 나와있는 면을 참고하십시오.

- (1) 하우징에 있는 회전 방향 화살표
- (2) 스팀을 잠금 버튼
- (3) 전원 스위치
- (4) 배터리^{A)}
- (5) 배터리 해제 버튼^{A)}
- (6) 배터리 충전상태 표시기
- (7) 연마 작업용 안전판
- (8) 연삭 스팀들
- (9) 손잡이(절연된 손잡이 부위)
- (10) 절단용 안전판^{A)}
- (11) 클램핑 볼트(와셔 포함)
- (12) 절단석^{A)}
- (13) 육각키

A) 도면이나 설명서에 나와있는 액세스러리는 표준 공급부품에 속하지 않습니다. 전체 액세스러리는 저희 액세스러리 프로그램을 참고하십시오.

제품 사양

그라인더		GWS 10,8V-76	
제품 번호		3 601 JF2 0..	
정격 전압	V=	10.8	
정격 속도 ^{A)}	min ⁻¹	19500	
연마석 최대 직경	mm	76	
툴 홀더 직경	mm	10	
EPTA-Procedure 01:2014에 따른 중량 ^{A)}	kg	0.70 - 0.90	
충전 시 권장되는 주변 온도	°C	0...+35	
작동 시 ^{B)} 및 보관 시 허용되는 주변 온도	°C	-20...+50	
권장 배터리		GBA 10.8V...	
권장하는 충전기		GAL 12... GAX 18...	

A) 사용하는 배터리에 따라 상이

B) 온도 <0 °C일 때 출력 제한

조립

배터리 충전하기

▶ **기술자료에 기재되어 있는 충전기만 사용하십시오.** 귀하의 전동공구에 사용된 리튬이온 배터리에 맞춰진 충전기들입니다.

지침: 배터리는 일부 충전되어 공급됩니다. 배터리의 성능을 완전하게 보장하기 위해서는 처음 사용하기 전에 배터리를 충전기에 완전히 충전하십시오.

리튬이온 배터리는 항상 충전할 수 있으며, 이로 인해 수명이 단축되지 않습니다. 충전을 하다 중간에 중지해도 배터리가 손상되지 않습니다.

리튬 이온 배터리는 “Electronic Cell Protection (ECP)” (전자 셀 보호) 기능이 있어 과도하게 방전되지 않습니다. 배터리가 방전되면 안전 스위치가 작동하여 전동공구가 꺼지고 비트가 더 이상 움직이지 않습니다.

▶ **전동공구가 자동으로 작동이 중단된 경우 전원 스위치를 계속 누르지 마십시오.** 배터리가 손상될 수 있습니다.

폐기처리에 관련된 지시 사항을 준수하십시오.

배터리 분리하기(그림 A 참조)

배터리 (4) 를 분리하려면 배터리 해제 버튼 (5) 을 누른 상태에서 배터리를 전동공구 측면으로 당겨내십시오. **무리하게 힘을 가하지 마십시오.**

배터리 충전상태 표시기

LED	용량
연속등 3 x 녹색	60 - 100 %
연속등 2 x 녹색	30 - 60 %
연속등 1 x 녹색	10 - 30 %

LED

느린 깜박등 1 x 녹색

용량

0 - 10 %

보호 장비 조립하기

▶ **전동공구에 각종 작업(보수 정비 및 액세스리 교환 등)을 하거나 전동공구를 운반하거나 보관할 경우 배터리를 전동공구에서 빼십시오.** 실수로 전원 스위치가 작동하게 되면 상해를 입을 위험이 있습니다.

지침 기기가 작동 중에 연마석이 깨지거나 안전반이나 전동공구에 있는 홀더 장치가 손상된 경우 전동공구를 즉시 고객 서비스 센터에 보내야 합니다, "AS 센터 및 사용 문의" 단락에 나온 주소 참조.

절단작업용 안전반

▶ **절단석을 이용한 절단 시에는 항상 절단작업용 안전반을 사용해야 합니다(10).**

▶ **석재 절단 시에는 분진 추출장치가 설치되어 있어야 합니다.**

안전반 조립하기(그림 B 참조)

절단 작업용 안전반 (10) 을 연마 작업용 안전반 (7) 에 장착하고 단단히 고정시킵니다.

안전반 설정하기(그림 B 참조)

안전반을 원하는 위치로 돌린 후 맞물려 끼우십시오. 이를 위해 특정한 공구는 필요하지 않습니다.

연마공구 조립하기

▶ **전동공구에 각종 작업(보수 정비 및 액세스리 교환 등)을 하거나 전동공구를 운반하거나 보관할 경우 배터리를 전동공구에서 빼십시오.** 실수로 전원 스위치가 작동하게 되면 상해를 입을 위험이 있습니다.

▶ **완전히 식을 때까지 연마석이나 절단석을 만지지 마십시오.** 작업 시 매우 뜨거워지기 때문입니다.

연삭 스펀들 (8) 의 조립할 부품을 모두 깨끗이 닦습니다.

연마공구를 고정하거나 풀려면 스펀들 잠금 버튼 (2) 을 앞쪽으로 밀면서 동시에 연마공구에서 돌려 연삭 스펀들이 고정되게 하십시오.

▶ **스핀들 잠금 버튼은 연삭 스펀들이 완전히 정지된 상태에서만 작동하십시오.** 그렇게 하지 않으면 전동공구가 손상될 수 있습니다.

연마석/절단석

연마공구의 치수를 확인하십시오. 구멍의 지름은 수용 플랜지에 정확히 맞아야 합니다. 변형 조각이나 어댑터를 사용해서는 안 됩니다.

다이아몬드 절단석을 사용할 경우, 다이아몬드 절단석의 회전 방향 화살표와 전동공구의 회전 방향이 일치해야 합니다(하우징의 회전 방향 화살표 참조). 조립 순서는 도면에 나와 있습니다.

연마석/절단석을 풀려면 스펀들 잠금 버튼 (2) 을 앞쪽으로 밀면서 동시에 연마석/절단석 (12) 에서 돌려 연삭 스펀들 (8) 이 고정되게 하십시오(그림 C1 참조).

육각키 (13) 를 이용해 클램핑 볼트(와셔 포함) (11) 를 제거한 후 연마석/절단석 (12) 을 분리하십시오(그림 C2 참조).

연마석/절단석을 고정하려면 클램핑 볼트(와셔 포함) (11) 를 돌려 끼우십시오. 볼트의 와셔가 연마석/절단석 (12) 에 완전히 밀착될 때까지 육각키 (13) 를 이용하여 볼트를 조이십시오(그림 C3 참조).

스핀들 잠금 버튼 (2) 을 민 후 다시 되돌리십시오(그림 C4 참조).



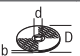
▶ **연마석을 조립하고 나서 전원 스위치를 켜기 전에 연마석이 제대로 조립되어 있는지 장애 없이 잘 돌아가는지 확인하십시오. 연마석이 안전반이나 다른 부위에 닿지 않도록 해야 합니다.**

허용 연마공구

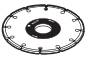
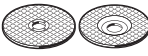


이 사용 설명서에 나와 있는 모든 연마공구를 사용할 수 있습니다.

사용된 연마공구의 허용 속도 [rpm]와 원주 속도 [m/s]는 적어도 다음의 도표에 나와 있는 수치와 일치해야 합니다.

그러므로 항상 사용하는 연마공구의 레벨에 나와 있는 **허용 속도와 원주 속도**를 확인하십시오.

	최대 [mm]	[mm]		
	D	b	d	[min ⁻¹] [m/s]
	76	7	10	19500 80

연마석/절단석 선택하기

연마공구	작업 소재
 Carbide Multi Wheel	목재(핀 포함), 플라스틱, PVC, 복합재, 아크릴, 석고, 구리
 Expert for Inox	스테인리스 스틸, 철재
 Best for Ceramic	타일, 세라믹
 Best for Hard Ceramic	타일, 경질 도자기, 자기 타일

분진 및 톱밥 추출장치

납 성분을 포함한 페인트나 몇몇 나무 종류, 또는 광물 성분 그리고 철과 같은 재료의 분진은 건강을 해칠 수 있습니다. 이 분진을 만지거나 호흡할 경우, 사용자나 주변 사람들은 알레르기 반응이나 호흡기 장애를 일으킬 수 있습니다.

떡갈나무나 너도밤나무와 같은 특정한 분진은 암을 유발시키며, 특히 목재 처리용으로 사용되는 부가 원료(크로마트, 목재 보호제)와 혼합되면 암을 유발시키게 됩니다. 석면 성분을 포함한 재료는 오직 전문가가 작업을 해야 합니다.

- 작업장의 통풍이 잘 되도록 하십시오.
- 필터등급 P2에 해당되는 호흡 마스크를 사용하십시오.

작업용 재료에 관해 국가가 지정한 규정을 고려하십시오.

▶ **작업장에 분진이 쌓이지 않도록 하십시오.** 분진이 쉽게 발화할 수 있습니다.

작동

기계 시동

배터리 장착하기

지침: 전동공구에 적합하지 않은 배터리를 사용하면 전동공구에 기능 장애가 생겨 기기가 손상될 수 있습니다.

충전된 배터리 (4) 를 전동공구의 손잡이 안에 넣고 제대로 걸리는 느낌이 들 때까지 정확하게 장착합니다.

전원 스위치 작동

전동공구를 작동하려면 전원 스위치 (3) 를 앞쪽으로 미십시오.

전원 스위치 (3) 를 잠금 상태로 유지하려면 전원 스위치 (3) 가 맞물려 고정될 때까지 더 앞으로 밀니다.

전동공구의 전원을 끄려면, 전원 스위치 (3) 에서 손을 떼거나 전원 스위치가 잠겨 있는 경우, 전원 스위치 (3) 를 잠깐 뒤쪽 아래로 눌렀다가 손을 땁니다.

▶ **기기를 사용하기 전 연마공구를 점검하십시오.** 연마공구는 아무런 이상 없이 장착되어서 잘 돌아가야 합니다. 최소한 1분간 무부하 상태로 시험 가동하십시오. 손상되었거나 원형이 아닌 진동하는 연마공구는 사용하지 마십시오. 손상된 연마공구는 파손되어 이로 인해 상해를 입을 수 있습니다.

온도 제어/과부하 방지 표시기

적색 LED 표시기 (6) 는 배터리 과열 및 모터 과부하를 방지할 수 있게 해줍니다.

LED 표시기 (6) 가 계속 적색으로 점등되면, 배터리의 온도가 너무 높기 때문이며 이때 전동공구가 자동으로 꺼집니다.

- 그리고 나서 전동공구의 스위치를 끄십시오.
- 배터리가 완전히 식은 후에 다시 작업을 계속하십시오.

LED 표시기 (6) 가 적색으로 깜박이면, 전동공구가 걸렸기 때문이며 이때 자동으로 꺼집니다.

전동공구를 작업물에서 빼십시오.

걸린 것이 없다면 전동공구가 바로 작동됩니다.

사용방법

▶ 건물 벽면에 흠을 내는 작업을 할 때 주의, 구조에 관한 정보 참조.

▶ 경량 소재를 절단할 경우 법적 규정 및 자재 제조사의 권장사항에 유의하십시오.

- ▶ 작업물이 자체의 중량으로 위치가 안정되어 있지 않으면 고정시켜야 합니다.
- ▶ 전동공구에 무리하게 힘을 가하면 자동으로 작동이 중단됩니다.
- ▶ 강한 부하 상태로 작업한 후에 전동공구를 몇 분간 무부하 상태로 돌아가게 하여 기기를 식혀 주십시오.
- ▶ 전동공구를 그라인더 스탠드와 함께 사용하지 마십시오.
- ▶ 완전히 식을 때까지 연마석이나 절단석을 만지지 마십시오. 작업 시 매우 뜨거워지기 때문입니다. 전동공구에 정전기가 일어나면 내장된 전자 제어장치가 전동공구의 작동을 멈추게 합니다. 전동공구를 재작동하려면 전원 스위치 (3) 를 다시 누르십시오.

연마작업

- ▶ 절대로 절단석을 연마용으로 사용해서는 안됩니다.

연마작업 시 접근 각도를 30° 에서 40°로 하면 작업 결과가 아주 좋습니다. 전동공구를 적당한 힘으로 앞뒤로 움직이십시오. 이로써 작업물이 과열되지 않고, 탈색되지 않으며, 패이지도 않습니다.

금속 절단작업

- ▶ 절단석을 이용한 절단 시에는 항상 절단작업용 안전반을 사용해야 합니다(10).

절단작업을 할 때 작업하려는 소재에 맞게 적당한 힘으로 앞으로 밀어 작업하십시오. 절단석에 무리하게 힘을 가하지 말고 비스듬히 기울이거나 진동해서는 안됩니다.

잔여 회전을 하고 있는 절단석을 측면에서 압력을 가해 정지해서는 안됩니다.

전동공구는 항상 회전 반대 방향으로 작업해야 합니다. 그렇지 않으면 절단선에서 **저절로** 벗어날 위험이 있습니다.

측면과 사각각을 절단할 때 가장 작은 모서리에서 시작하는 것이 가장 좋습니다.

석재 절단작업

- ▶ 석재 절단 시에는 분진 추출장치가 설치되어 있어야 합니다.
- ▶ 분진 마스크를 착용하십시오.
- ▶ 이 전동공구는 건식 절단/건식 연마를 하는 데에만 사용해야 합니다.

석재를 절단하려면 다이아몬드 절단석을 사용하는 것이 가장 좋습니다.

자갈이 많이 들어있는 콘크리트 등 특히 경도가 높은 작업 소재에 절단작업을 할 때 다이아몬드 절단석이 과열되어 손상될 수 있습니다. 이때 다이아몬드 절단석이 회전하며 스파크가 생깁니다.

이러한 경우 절단작업을 중지하고 다이아몬드 절단석을 무부하 상태로 최고 속도로 잠시 공회전시키며 냉각시킵니다.

작업 속도가 현저하게 늦어지고 회전하는 불꽃이 생기면 다이아몬드 절단석이 무디어진 것을 의미합니다. 이 경우 석회질 사암 등의 연마재에 잠깐 갈아주면 다시 날카로워 집니다.

구조에 관한 정보

들보 벽에 홈을 파는 작업을 할 때 DIN 규격 1053/1항이나 각국의 규정에 맞게 작업해야 합니다. 이 규정은 반드시 준수해야 합니다. 작업을 시작하기 전에 담당 건축가나 건설 책임자와 상의하십시오.

올바른 배터리의 취급 방법

배터리를 습기나 물이 있는 곳에 두지 마십시오. 배터리를 -20 °C 에서 50 °C 온도 범위에서만 저장하십시오. 예를 들면 배터리를 여름에 자동차 안에 두지 마십시오.

가끔 배터리의 통풍구를 부드럽고 깨끗한 마른 솔로 청소하십시오.

충전 후 작동 시간이 현저하게 짧아지면 배터리의 수명이 다한 것이므로 배터리를 교환해야 합니다. 처리에 관련된 지시 사항을 준수하십시오.

보수 정비 및 서비스

보수 정비 및 유지

- ▶ 전동공구에 각종 작업(보수 정비 및 액세스리 교환 등)을 하거나 전동공구를 운반하거나 보관할 경우 배터리를 전동공구에서 빼십시오. 실수로 전원 스위치가 작동하게 되면 상해를 입을 위험이 있습니다.

- ▶ 안전하고 올바른 작동을 위하여 전동공구와 전동공구의 통풍구를 항상 깨끗이 하십시오.

액세서리를 조심스럽게 취급하고 보관하십시오.

AS 센터 및 사용 문의

AS 센터에서는 귀하 제품의 수리 및 보수정비, 그리고 부품에 관한 문의를 받고 있습니다. 대체 부품에 관한 분해 조립도 및 정보는 인터넷에서도 찾아볼 수 있습니다 - www.bosch-pt.com

보수 사용 문의 팀에서는 보수의 제품 및 해당 액세서리에 관한 질문에 기꺼이 답변 드릴 것입니다.

문의나 대체 부품 주문 시에는 반드시 제품 네임 플레이트에 있는 10자리의 부품번호를 알려 주십시오.

콜센터
080-955-0909

운반

포함되어 있는 리튬이온 배터리는 위험물 관련 규정을 따라야 합니다. 별도의 요구사항 없이 배터리를 사용자가 직접 도로 상에서 운반할 수 있습니다.

제3자를 통해 운반할 경우(항공 운송이나 운송 회사 등) 포장과 표기에 관한 특별한 요구 사항을 준수해야 합니다. 이 경우 발송 준비를 위해 위험물 전문가와 상담해야 합니다.

표면이 손상되지 않은 배터리만 사용하십시오. 배터리의 접촉 단자면을 덮어 붙인 상태로 내부에서 움직이지 않도록 배터리를 포장하십시오. 또한 이와 관련한 국내 규정을 준수하십시오.

처리



전동공구, 배터리, 액세서리 및 포장은
환경 친화적인 방법으로 재활용할 수 있도
록 분류하십시오.

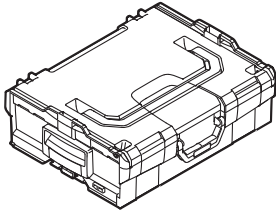


전동공구와 충전용 배터리/배터리를 가
정용 쓰레기로 처리하지 마십시오!

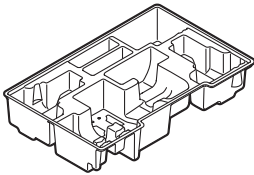
충전용 배터리/배터리:

리튬이온:

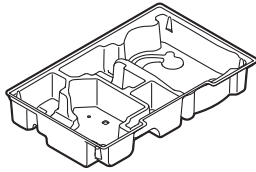
운반 단락에 나와 있는 지침을 참고하십시오 (참조
„운반“, 페이지 21).



1 600 A00 1RP
(L-BOXX 102)



1 600 A00 FOF



1 600 A00 2WY

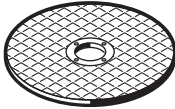
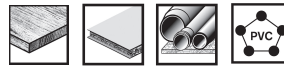


2 608 000 632



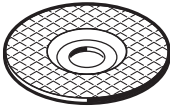
2 608 623 011

Carbide Multi Wheel



2 608 601 520

expert **for Inox**



2 608 601 705



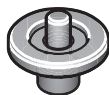
2 608 615 020

best **for Ceramic**



2 608 615 109

best **for HardCeramic**



2 608 000 633



1 619 P01 598