



 **BOSCH**

# GEX 10.8V-125 Professional

**HEAVY  
DUTY**

**Robert Bosch Power Tools GmbH**  
70538 Stuttgart  
GERMANY

[www.bosch-pt.com](http://www.bosch-pt.com)

1 609 92A 68M (2020.11) 0 / 20



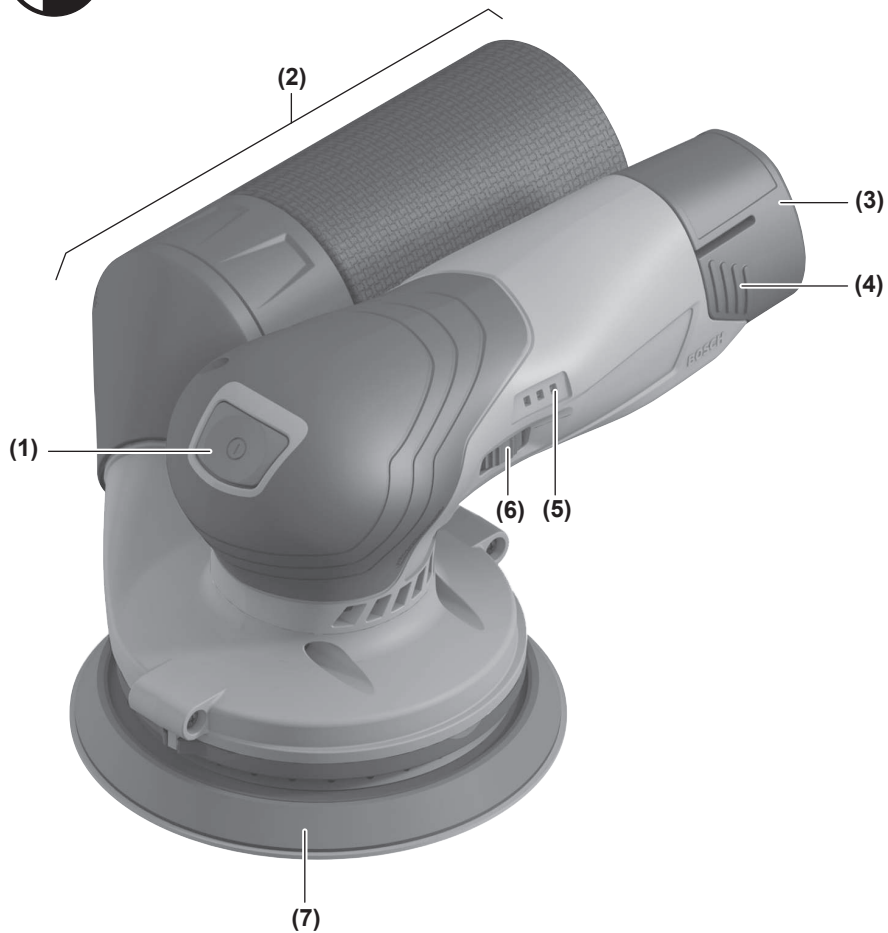
1 609 92A 68M



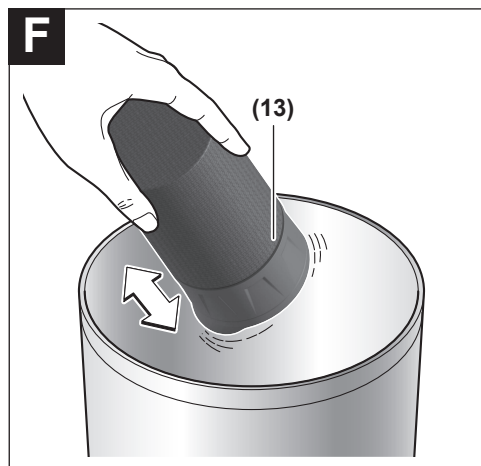
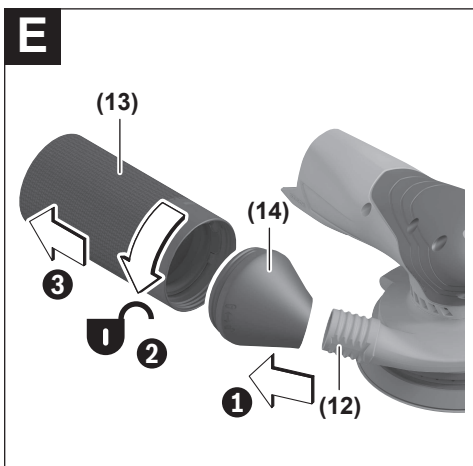
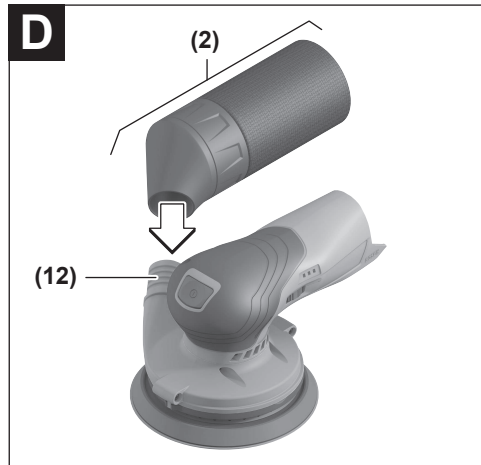
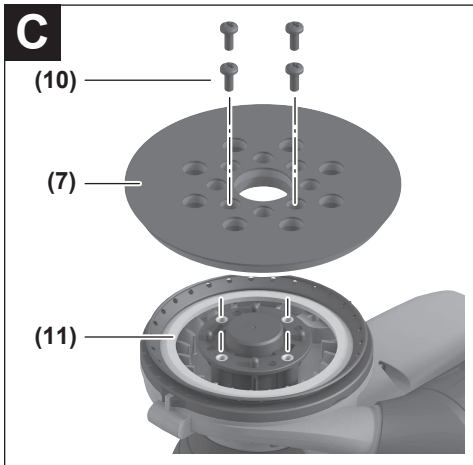
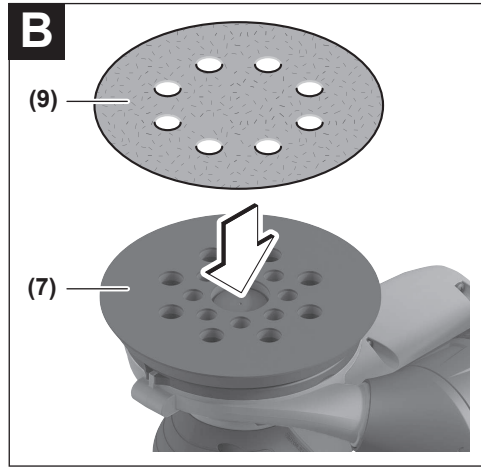
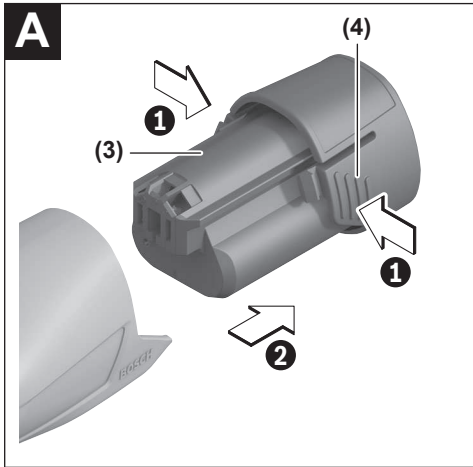
en Original instructions  
ko 사용 설명서 원본

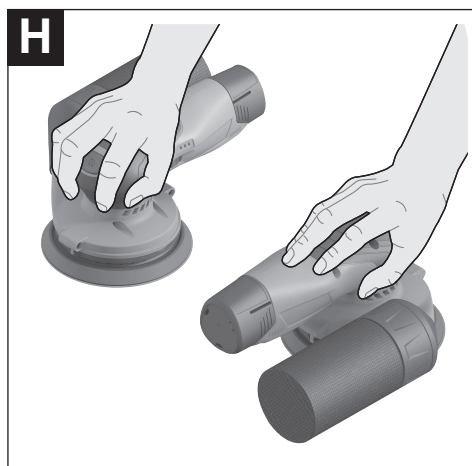
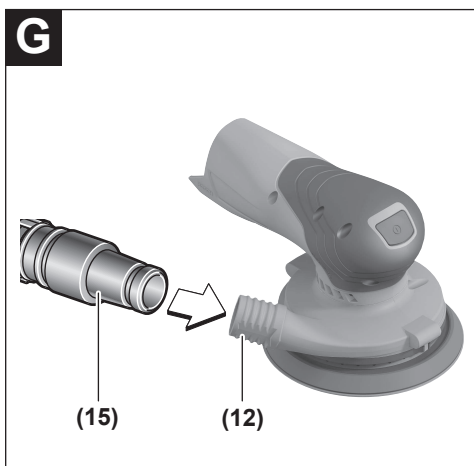


English ..... Page 6  
한국어 ..... 페이지 11



**GEX 10.8V - 125**





# English

## Safety instructions

### General Power Tool Safety Warnings

**⚠ WARNING** Read all safety warnings, instructions, illustrations and specifications provided with this power tool. Failure to follow all instructions listed below may result in electric shock, fire and/or serious injury.

**Save all warnings and instructions for future reference.**

The term "power tool" in the warnings refers to your mains-operated (corded) power tool or battery-operated (cordless) power tool.

#### Work area safety

- ▶ **Keep work area clean and well lit.** Cluttered or dark areas invite accidents.
- ▶ **Do not operate power tools in explosive atmospheres, such as in the presence of flammable liquids, gases or dust.** Power tools create sparks which may ignite the dust or fumes.
- ▶ **Keep children and bystanders away while operating a power tool.** Distractions can cause you to lose control.

#### Electrical safety

- ▶ **Power tool plugs must match the outlet. Never modify the plug in any way. Do not use any adapter plugs with earthed (grounded) power tools.** Unmodified plugs and matching outlets will reduce risk of electric shock.
- ▶ **Avoid body contact with earthed or grounded surfaces, such as pipes, radiators, ranges and refrigerators.** There is an increased risk of electric shock if your body is earthed or grounded.
- ▶ **Do not expose power tools to rain or wet conditions.** Water entering a power tool will increase the risk of electric shock.
- ▶ **Do not abuse the cord. Never use the cord for carrying, pulling or unplugging the power tool. Keep cord away from heat, oil, sharp edges or moving parts.** Damaged or entangled cords increase the risk of electric shock.
- ▶ **When operating a power tool outdoors, use an extension cord suitable for outdoor use.** Use of a cord suitable for outdoor use reduces the risk of electric shock.
- ▶ **If operating a power tool in a damp location is unavoidable, use a residual current device (RCD) protected supply.** Use of an RCD reduces the risk of electric shock.

#### Personal safety

- ▶ **Stay alert, watch what you are doing and use common sense when operating a power tool. Do not use a power tool while you are tired or under the influence of drugs, alcohol or medication.** A moment of inatten-

tion while operating power tools may result in serious personal injury.

- ▶ **Use personal protective equipment. Always wear eye protection.** Protective equipment such as a dust mask, non-skid safety shoes, hard hat or hearing protection used for appropriate conditions will reduce personal injuries.
- ▶ **Prevent unintentional starting. Ensure the switch is in the off-position before connecting to power source and/or battery pack, picking up or carrying the tool.** Carrying power tools with your finger on the switch or energising power tools that have the switch on invites accidents.
- ▶ **Remove any adjusting key or wrench before turning the power tool on.** A wrench or a key left attached to a rotating part of the power tool may result in personal injury.
- ▶ **Do not overreach. Keep proper footing and balance at all times.** This enables better control of the power tool in unexpected situations.
- ▶ **Dress properly. Do not wear loose clothing or jewellery. Keep your hair and clothing away from moving parts.** Loose clothes, jewellery or long hair can be caught in moving parts.
- ▶ **If devices are provided for the connection of dust extraction and collection facilities, ensure these are connected and properly used.** Use of dust collection can reduce dust-related hazards.
- ▶ **Do not let familiarity gained from frequent use of tools allow you to become complacent and ignore tool safety principles.** A careless action can cause severe injury within a fraction of a second.

#### Power tool use and care

- ▶ **Do not force the power tool. Use the correct power tool for your application.** The correct power tool will do the job better and safer at the rate for which it was designed.
- ▶ **Do not use the power tool if the switch does not turn it on and off.** Any power tool that cannot be controlled with the switch is dangerous and must be repaired.
- ▶ **Disconnect the plug from the power source and/or remove the battery pack, if detachable, from the power tool before making any adjustments, changing accessories, or storing power tools.** Such preventive safety measures reduce the risk of starting the power tool accidentally.
- ▶ **Store idle power tools out of the reach of children and do not allow persons unfamiliar with the power tool or these instructions to operate the power tool.** Power tools are dangerous in the hands of untrained users.
- ▶ **Maintain power tools and accessories. Check for misalignment or binding of moving parts, breakage of parts and any other condition that may affect the power tool's operation. If damaged, have the power tool repaired before use.** Many accidents are caused by poorly maintained power tools.

- ▶ **Keep cutting tools sharp and clean.** Properly maintained cutting tools with sharp cutting edges are less likely to bind and are easier to control.
- ▶ **Use the power tool, accessories and tool bits etc. in accordance with these instructions, taking into account the working conditions and the work to be performed.** Use of the power tool for operations different from those intended could result in a hazardous situation.
- ▶ **Keep handles and grasping surfaces dry, clean and free from oil and grease.** Slippery handles and grasping surfaces do not allow for safe handling and control of the tool in unexpected situations.

#### Battery tool use and care

- ▶ **Recharge only with the charger specified by the manufacturer.** A charger that is suitable for one type of battery pack may create a risk of fire when used with another battery pack.
- ▶ **Use power tools only with specifically designated battery packs.** Use of any other battery packs may create a risk of injury and fire.
- ▶ **When battery pack is not in use, keep it away from other metal objects, like paper clips, coins, keys, nails, screws or other small metal objects, that can make a connection from one terminal to another.** Shorting the battery terminals together may cause burns or a fire.
- ▶ **Under abusive conditions, liquid may be ejected from the battery; avoid contact. If contact accidentally occurs, flush with water. If liquid contacts eyes, additionally seek medical help.** Liquid ejected from the battery may cause irritation or burns.
- ▶ **Do not use a battery pack or tool that is damaged or modified.** Damaged or modified batteries may exhibit unpredictable behaviour resulting in fire, explosion or risk of injury.
- ▶ **Do not expose a battery pack or tool to fire or excessive temperature.** Exposure to fire or temperature above 130°C may cause explosion.
- ▶ **Follow all charging instructions and do not charge the battery pack or tool outside the temperature range specified in the instructions.** Charging improperly or at temperatures outside the specified range may damage the battery and increase the risk of fire.

#### Service

- ▶ **Have your power tool serviced by a qualified repair person using only identical replacement parts.** This will ensure that the safety of the power tool is maintained.
- ▶ **Never service damaged battery packs.** Service of battery packs should only be performed by the manufacturer or authorized service providers.

#### Safety Warnings for Sander

- ▶ **Only use the power tool for dry sanding.** Water entering a power tool will increase the risk of electric shock.

- ▶ **Warning: Danger of fire! Avoid overheating the workpiece and the sander. Always empty the dust container before taking a break from work.** Sanding dust in the dust bag, microfilter, paper bag (or in the filter bag or vacuum cleaner filter) can spontaneously ignite under unfavourable conditions. This risk is increased if the sanding dust is mixed with paint or polyurethane residue or with other chemical substances and if the workpiece is hot as a result of prolonged work.
- ▶ **In case of damage and improper use of the battery, vapours may be emitted. The battery can set alight or explode.** Ensure the area is well ventilated and seek medical attention should you experience any adverse effects. The vapours may irritate the respiratory system.
- ▶ **Do not open the battery.** There is a risk of short-circuiting.
- ▶ **The battery can be damaged by pointed objects such as nails or screwdrivers or by force applied externally.** An internal short circuit may occur, causing the battery to burn, smoke, explode or overheat.
- ▶ **Only use the battery with products from the manufacturer.** This is the only way in which you can protect the battery against dangerous overload.



**Protect the battery against heat, e.g. against continuous intense sunlight, fire, dirt, water and moisture.** There is a risk of explosion and short-circuiting.



- ▶ **Always wait until the power tool has come to a complete stop before placing it down.**
- ▶ **Secure the workpiece.** A workpiece clamped with clamping devices or in a vice is held more secure than by hand.

## Product Description and Specifications



**Read all the safety and general instructions.** Failure to observe the safety and general instructions may result in electric shock, fire and/or serious injury.

Please observe the illustrations at the beginning of this operating manual.

#### Intended Use

The power tool is intended for dry sanding of wood, plastic, filler and coated surfaces.

#### Product Features

The numbering of the product features refers to the diagram of the power tool on the graphics page.

- (1) On/off switch
- (2) Complete dust bag
- (3) Rechargeable battery<sup>A)</sup>
- (4) Battery release button<sup>A)</sup>
- (5) Rechargeable battery charge indicator<sup>A)</sup>

- (6) Orbital stroke rate preselection thumbwheel
- (7) Sanding disc
- (8) Handle (insulated gripping surface)
- (9) Sanding sheet
- (10) Screws for sanding disc
- (11) Sanding disc holder
- (12) Extraction outlet
- (13) Dust bag
- (14) Adapter for dust bag
- (15) Extraction hose<sup>A)</sup>

A) Accessories shown or described are not included with the product as standard. You can find the complete selection of accessories in our accessories range.

## Technical Data

Random orbit sander		GEX 10.8V-125
Article number		3 601 C72 1..
Rated voltage	V~	10.8
Orbital stroke rate preselection		●
No-load speed $n_0$ <sup>A)</sup>	min <sup>-1</sup>	6000–10,000
No-load orbital stroke rate <sup>A)</sup>	min <sup>-1</sup>	12,000–20,000
Orbit diameter	mm	2.5
Sanding disc diameter	mm	125
Weight according to EPTA-Procedure 01:2014 <sup>A)</sup>	kg	1.0–1.2
Recommended ambient temperature during charging	°C	0 to +35
Permitted ambient temperature during operation <sup>B)</sup> and during storage	°C	-15 to +50
Recommended rechargeable batteries		GBA 10.8V...
Recommended chargers		GAL 12... GAX 18...

A) Depends on battery in use

B) Limited performance at temperatures <0 °C

## Assembly

- **Remove the battery from the power tool before carrying out work on the power tool (e.g. maintenance, changing tool, etc.). The battery should also be removed for transport and storage.** There is risk of injury from unintentionally pressing the on/off switch.

## Battery Charging

- **Use only the chargers listed in the technical data.** Only these chargers are matched to the lithium-ion battery of your power tool.

**Note:** The battery is supplied partially charged. To ensure full battery capacity, fully charge the battery in the charger before using your power tool for the first time.

The lithium-ion battery can be charged at any time without reducing its service life. Interrupting the charging process does not damage the battery.

The lithium-ion battery is protected against deep discharge by the "Electronic Cell Protection (ECP)". When the battery is discharged, the power tool is switched off by means of a protective circuit: The application tool no longer rotates.

- **Do not continue to press the On/Off switch after the power tool has automatically switched off.** The battery can be damaged.

Follow the instructions on correct disposal.

## Removing the Battery (see figure A)

To remove the battery (3), press the release buttons (4) and pull the battery out of the power tool. **Do not use force to do this.**

## Battery charge indicator

The battery charge indicator (5) on the power tool consists of three green LEDs. It indicates the battery's state of charge for a few seconds after the power tool is switched on and off.

LED	Capacity
Continuous lighting 3 x green	60–100%
Continuous lighting 2 x green	30–60%
Continuous lighting 1 x green	10–30%
Slowly flashing light 1 x green	0–10%

**The three LEDs in the battery charge indicator flash quickly when the temperature of the battery is outside the operating temperature range of -30 to +70 °C and/or the overload protection has been triggered.**

## Changing the Sanding Sheet (see figure B)

To remove the sanding sheet (9), lift it from the side and pull it from the sanding pad (7).

Remove dirt and dust from the sanding pad (7), e.g. with a paintbrush, before attaching a new sanding sheet.

The surface of the sanding pad (7) is fitted with a hook-and-loop fastening, allowing sanding sheets with a hook-and-loop backing to be secured quickly and easily.

Press the sanding sheet (9) firmly onto the underside of the sanding pad (7).

To ensure optimum dust extraction, make sure that the punched holes in the sanding sheet (9) are aligned with the drilled holes in the sanding pad (7).

To increase the sanding pad's service life, in particular when using net abrasives (e.g. Bosch M480), apply the Pad Saver (accessory) between the sanding pad and abrasive.



## Selection of the Sanding Plate

The power tool can be fitted with sanding discs of various hardnesses, depending on the application:

- Soft sanding disc: Suitable for sensitive sanding even on curved surfaces
- Medium-hard sanding disc: Suitable for all sanding work, universal application
- Hard sanding disc: Suitable for heavy sanding on flat surfaces

## Changing the sanding pad (see figure C)

**Note:** Replace damaged sanding pads (7) immediately.

Pull off the sanding sheet. Unscrew the 4 screws (10) completely (using a T20 screwdriver) and remove the sanding pad (7). Attach the new sanding pad (7) and retighten the screws.

**Note:** When attaching the sanding pad, make sure that the teeth of the catch mate with the recesses in the sanding pad.

**Note:** Damaged sanding disc holders (11) must only be replaced by an after-sales service centre authorised to work with Bosch power tools.

## Dust/Chip Extraction

The dust from materials such as lead paint, certain types of wood and minerals can be harmful to human health. Touching or breathing in this dust can trigger allergic reactions and/or cause respiratory illnesses in the user or in people in the near vicinity.

Certain dusts, such as oak or beech dust, are classified as carcinogenic, especially in conjunction with wood treatment additives (chromate, wood preservative). Materials containing asbestos may only be machined by specialists.

- Use a dust extraction system that is suitable for the material wherever possible.
  - Provide good ventilation at the workplace.
  - It is advisable to wear a P2 filter class breathing mask.
- The regulations on the material being machined that apply in the country of use must be observed.

► **Avoid dust accumulation at the workplace.** Dust can easily ignite.

## Self-generated dust extraction with dust bag (see figures D–F)

Place and move the complete dust bag (2) onto the extraction outlet (12) until it lines up precisely with the power tool.

To empty the dust bag (13), pull the complete dust bag (2) away from the extraction outlet (12). Unscrew the adapter (14) from the dust bag (13) and empty the dust bag.

## Application Overview

	Application/Material	Abrasive	Speed setting
<b>Removing</b>	– Removing old paint and varnish	P60–P100	4–6
	– Sanding wood		
	– Sanding thermoplastic synthetic materials	P60–P100	1–3
<b>Preparing</b>	– Sanding wood and veneer prior to painting	P120–P180	4–6

**Note:** Empty the dust bag (13) in good time to ensure optimum dust extraction.

When working vertical surfaces, hold the power tool in such a manner that the dust bag (2) faces downward.

## External dust extraction (see figure G)

Fit a dust extraction hose (15) onto the extraction outlet (12).

Connect the dust extraction hose (15) to an extractor. You will find an overview of connecting to various dust extractors at the end of these operating instructions.

The dust extractor must be suitable for the material being worked.

When extracting dry dust that is especially detrimental to health or carcinogenic, use a special dust extractor.

When working on vertical surfaces, hold the power tool with the dust extraction hose facing downwards.

## Operation

### Starting Operation

#### Switching On/Off

► **Make sure that you are able to press the On/Off switch without releasing the handle.**

To **switch on** the power tool, press the on/off switch (1).

To **switch off** the power tool, press the on/off switch (1) again.

#### Preselecting the orbital stroke rate

You can even preselect the orbital stroke rate during operation using the necessary orbital stroke rate preselection thumbwheel (6).

1–2 Low orbital stroke rate

3–4 Medium orbital stroke rate

5–6 High orbital stroke rate

The required orbital stroke rate is dependent on the material and the work conditions and can be determined using practical tests.

The Constant Electronic keeps the orbital stroke rate at no load and under load virtually consistent, guaranteeing uniform performance.

After working at a low orbital stroke rate for an extended period, you should operate the power tool at the maximum orbital stroke rate for approximately three minutes without load to cool it down.

Application/Material	Abrasive	Speed setting
<ul style="list-style-type: none"> <li>- Edge chamfering on wooden materials</li> <li>- Smoothing wooden surfaces before staining</li> </ul>		
<ul style="list-style-type: none"> <li>- Intermediate lacquer sanding and sanding undercoats</li> <li>- Intermediate lacquer sanding on edges</li> </ul>	P220-P280	1-3
<b>Finishing</b>		
<ul style="list-style-type: none"> <li>- Sanding wood</li> <li>- Sanding solid wood edges and veneer edges</li> </ul>	P150-P180	4-6
<ul style="list-style-type: none"> <li>- Lacquer sanding on stained surfaces and edges</li> </ul>	P240-P320	1-3

## Working Advice

- ▶ **Remove the battery from the power tool before carrying out work on the power tool (e.g. maintenance, changing tool, etc.). The battery should also be removed for transport and storage.** There is risk of injury from unintentionally pressing the on/off switch.
- ▶ **Always wait until the power tool has come to a complete stop before placing it down.**
- ▶ **This power tool is not suitable for bench-mounted use.** It must not be clamped into a vice or fastened to a workbench, for example.

For fatigue-free work, you can hold the power tool from above, from the side or from the front, depending on the application (see figure H).

## Sanding Surfaces

Switch the power tool on, place the entire sanding surface against the surface of the workpiece and apply moderate pressure as you move the sander over the workpiece.

The material removal rate and sanding result are primarily determined by the choice of sanding sheet, the preselected orbital stroke rate level and the contact pressure.

Only immaculate sanding sheets achieve good sanding performance and make the power tool last longer.

Be sure to apply consistent contact pressure in order to increase the lifetime of the sanding sheets.

Excessively increasing the contact pressure will not lead to increased sanding performance, rather it will cause more severe wear of the power tool and of the sanding sheet.

Use only original **Bosch**-sanding accessories.

## Rough Sanding

Attach a coarse grit sanding sheet.

Apply only light pressure to the power tool so that it runs at a higher orbital stroke rate and a higher material removal rate is achieved.

## Fine Sanding

Attach a fine grit sanding sheet.

You can reduce the sanding plate orbital stroke rate by lightly varying the contact pressure or changing the orbital stroke rate level; the random orbit motion will be retained.

Move the power tool with moderate pressure flat on the workpiece in a circular motion or alternately along and across it. Do not tilt the power tool in order to avoid sanding through the workpiece, e.g. veneers.

Switch the power tool off after completing operation.

## Maintenance and Service

### Maintenance and Cleaning

- ▶ **Remove the battery from the power tool before carrying out work on the power tool (e.g. maintenance, changing tool, etc.). The battery should also be removed for transport and storage.** There is risk of injury from unintentionally pressing the on/off switch.
- ▶ **To ensure safe and efficient operation, always keep the power tool and the ventilation slots clean.**

### After-Sales Service and Application Service

Our after-sales service responds to your questions concerning maintenance and repair of your product as well as spare parts. You can find explosion drawings and information on spare parts at: [www.bosch-pt.com](http://www.bosch-pt.com)

The Bosch product use advice team will be happy to help you with any questions about our products and their accessories.

In all correspondence and spare parts orders, please always include the 10-digit article number given on the nameplate of the product.

### Korea

Tel.: 080-955-0909 (Hotline)

### You can find further service addresses at:

[www.bosch-pt.com/serviceaddresses](http://www.bosch-pt.com/serviceaddresses)

### Transport

The contained lithium-ion batteries are subject to the Dangerous Goods Legislation requirements. The batteries are suitable for road-transport by the user without further restrictions.

When shipping by third parties (e.g.: by air transport or forwarding agency), special requirements on packaging and labelling must be observed. For preparation of the item being shipped, consulting an expert for hazardous material is required.

Dispatch battery packs only when the housing is undamaged. Tape or mask off open contacts and pack up the battery in such a manner that it cannot move around in the packaging. Please also observe the possibility of more detailed national regulations.

**Disposal**



Power tools, rechargeable batteries, accessories and packaging should be sorted for environmental-friendly recycling.



Do not dispose of power tools and batteries/rechargeable batteries into household waste!

**Battery packs/batteries:**

**Li-ion:**

Please observe the notes in the section on transport (see "Transport", page 10).

**한국어**

**안전 수칙**

**전동공구 일반 안전 수칙**

**경고** 본 전동공구와 함께 제공된 모든 안전경고, 지시사항, 그림 및 사양을 숙지하십시오.

다음의 지시 사항을 준수하지 않으면 감전, 화재, 또는 심각한 부상을 초래할 수 있습니다.

앞으로 참고할 수 있도록 이 안전수칙과 사용 설명서를 잘 보관하십시오.

다음에서 사용되는 "전동공구"라는 개념은 전원에 연결하여 사용하는 (전선이 있는) 전동 기기나 배터리를 사용하는 (전선이 없는) 전동 기기를 의미합니다.

**작업장 안전**

- ▶ 작업장을 항상 깨끗이 하고 조명을 밝게 하십시오. 작업장 환경이 어수선하거나 어두우면 사고를 초래할 수 있습니다.
- ▶ 가연성 유체, 가스 또는 분진이 있어 폭발 위험이 있는 환경에서 전동공구를 사용하지 마십시오. 전동공구는 분진이나 증기에 점화하는 스파크를 일으킬 수 있습니다.
- ▶ 전동공구를 사용할 때 구경꾼이나 어린이 혹은 다른 사람이 작업장에 접근하지 못하게 하십시오. 다른 사람이 주의를 산만하게 하면 기기에 대한 통제력을 잃기 쉽습니다.

**전기에 관한 안전**

- ▶ 전동공구의 전원 플러그가 전원 콘센트에 잘 맞아야 합니다. 플러그를 절대 변경시켜서는 안 됩니다. (접지된) 전동공구를 사용할 때 어댑터 플러그를 사용하지 마십시오. 변형되지 않은 플러그와 잘 맞는 콘센트를 사용하면 감전의 위험을 줄일 수 있습니다.
- ▶ 파이프 관, 라디에이터, 레인지, 냉장고와 같은 접지 표면에 몸이 닿지 않도록 하십시오. 몸에 닿을 경우 감전될 위험이 높습니다.

- ▶ 전동공구를 비에 맞지 않게 하고 습기 있는 곳에 두지 마십시오. 전동공구에 물이 들어가면 감전될 위험이 높습니다.
- ▶ 전원 코드를 잘못 사용하는 일이 없도록 하십시오. 전원 코드를 잡고 전동공구를 운반해서는 안 되며, 콘센트에서 전원 플러그를 뺄 때 전원 코드를 잡아 당겨서는 절대로 안 됩니다. 전원 코드가 열과 오일에 접촉하는 것을 피하고, 날카로운 모서리나 기기의 가동 부위에 닿지 않도록 주의 하십시오. 손상되거나 영긴 전원 코드는 감전을 유발할 수 있습니다.
- ▶ 실외에서 전동공구로 작업할 때는 실외용으로 적당한 연장 전원 코드만을 사용하십시오. 실외용 연장 전원 코드를 사용하면 감전의 위험을 줄일 수 있습니다.
- ▶ 전동공구를 습기 찬 곳에서 사용해야 할 경우에는 누전 차단기를 사용하십시오. 누전 차단기를 사용하면 감전 위험을 줄일 수 있습니다.

**사용자 안전**

- ▶ 신중하게 작업하며, 전동공구를 사용할 때 경솔하게 행동하지 마십시오. 피로한 상태이거나 약물 복용 및 음주한 후에는 전동공구를 사용하지 마십시오. 전동공구를 사용할 때 잠시라도 주의가 산만해지면 중상을 입을 수 있습니다.
- ▶ 작업자 안전을 위한 장치를 사용하십시오. 항상 보안경을 착용하십시오. 전동공구의 종류와 사용에 따라 먼지 보호 마스크, 미끄러지지 않는 안전화, 안전모 또는 귀마개 등의 안전한 복장을 하면 상해의 위험을 줄일 수 있습니다.
- ▶ 실수로 기기가 작동되지 않도록 주의하십시오. 전동공구를 전원에 연결하거나 배터리를 끼우기 전에, 혹은 기기를 들거나 운반하기 전에, 전원 스위치가 꺼져 있는지 다시 확인하십시오. 전동공구를 운반할 때 전원 스위치에 손가락을 대거나 전원 스위치가 켜진 상태에서 전원을 연결하면 사고 위험이 높습니다.
- ▶ 전동공구를 사용하기 전에 조절하는 톨이나 키 등을 빼 놓으십시오. 회전하는 부위에 있는 톨이나 키로 인해 상처를 입을 수 있습니다.
- ▶ 자신을 과신하지 마십시오. 불안정한 자세를 피하고 항상 평형용 이론 상태로 작업하십시오. 안정된 자세와 평형한 상태로 작업해야만이 의외의 상황에서도 전동공구를 안전하게 사용할 수 있습니다.
- ▶ 알맞은 작업복을 입으십시오. 헐렁한 복장을 하거나 장신구를 착용하지 마십시오. 머리나 옷이 가동하는 기기 부위에 가까이 닿지 않도록 주의 하십시오. 헐렁한 복장, 장신구 혹은 긴 머리는 가동 부위에 말려 사고를 초래할 수 있습니다.
- ▶ 분진 추출장치나 수거장치의 조립이 가능한 경우, 이 장치가 연결되어 있는지, 제대로 작동이 되는지 확인하십시오. 이러한 분진 추출장치를 사용하면 분진으로 인한 사고 위험을 줄일 수 있습니다.
- ▶ 톨을 자주 사용한다고 해서 안주하는 일이 없게 하고 공구의 안전 수칙을 무시하지 않도록 하십시오.

시오. 부주의하게 취급하여 순간적으로 심각한 부상을 입을 수 있습니다.

#### 전동공구의 올바른 사용과 취급

- ▶ 기기를 과부하 상태에서 사용하지 마십시오. 작업할 때 이에 적당한 전동공구를 사용하십시오. 알맞은 전동공구를 사용하면 지정된 성능 한도 내에서 더 효율적으로 안전하게 작업할 수 있습니다.
- ▶ 전원 스위치가 고장 난 전동공구를 사용하지 마십시오. 전원 스위치가 작동되지 않는 전동공구는 위험하므로, 반드시 수리를 해야 합니다.
- ▶ 전동공구를 조정하거나 액세서리 부품 교환 혹은 공구를 보관할 때, 항상 전원 콘센트에서 플러그를 미리 빼어 놓거나 배터리를 분리하십시오. 이러한 조치는 실수로 전동공구가 작동하게 되는 것을 예방합니다.
- ▶ 사용하지 않는 전동공구는 어린이 손이 닿지 않는 곳에 보관하고, 전동공구 사용에 익숙지 않거나 이 사용 설명서를 읽지 않은 사람은 기기를 사용해서는 안됩니다. 경험이 없는 사람이 전동공구를 사용하면 위험합니다.
- ▶ 전동공구 및 액세서리를 조심스럽게 관리하십시오. 가동 부위가 하자 없이 정상적인 기능을 하는지, 걸리는 부위가 있는지, 혹은 전동공구의 기능에 중요한 부품이 손상되지 않았는지 확인하십시오. 손상된 기기의 부품은 전동공구를 다시 사용하기 전에 반드시 수리를 맡기십시오. 제대로 관리하지 않은 전동공구의 경우 많은 사고를 유발합니다.
- ▶ 절단 공구를 날카롭고 깨끗하게 관리하십시오. 날카로운 절단면이 있고 잘 관리된 절단공구는 걸리는 경우가 드물고 조절하기도 쉽습니다.
- ▶ 전동공구, 액세서리, 장착하는 공구 등을 사용할 때, 이 지시 사항과 특별히 기종 별로 나와있는 사용 방법을 준수하십시오. 이때 작업 조건과 실시하려는 작업 내용을 고려하십시오. 원래 사용 분 야가 아닌 다른 작업에 전동공구를 사용할 경우 위험한 상황을 초래할 수 있습니다.
- ▶ 손잡이 및 잡는 면을 건조하게 유지하고, 오일 및 그리스가 묻어 있지 않도록 깨끗하게 하십시오. 손잡이 또는 잡는 면이 미끄러우면 예상치 못한 상황에서 안전한 취급 및 제어가 어려워집니다.

#### 충전 전동공구의 올바른 사용과 취급

- ▶ 배터리를 충전할 때 제조 회사가 추천하는 충전 기만을 사용하여 재충전해야 합니다. 특정 제품의 배터리를 위하여 제조된 충전기에 적합하지 않은 다른 배터리를 충전할 경우 화재 위험이 있습니다.
- ▶ 각 전동공구용으로 나와있는 배터리만을 사용하십시오. 다른 종류의 배터리를 사용하면 상해를 입거나 화재를 초래할 수 있습니다.
- ▶ 배터리를 사용하지 않을 때는, 각 극을 자극 할 수 있는 페이퍼 클립, 동전, 열쇠, 못, 나사 등 유사한 금속성 물체와 멀리하여 보관하십시오. 배터리 극 사이에 쇼트가 일어나 화상을 입거나 화재를 야기할 수 있습니다.

- ▶ 배터리를 잘못 사용하면 누수가 생길 수 있습니다. 누수가 생긴 배터리에 닿지 않도록 하십시오. 피부에 접촉하게 되었을 경우 즉시 물로 씻으십시오. 유체가 눈에 닿았을 경우 바로 의사와 상담 하십시오. 배터리에서 나오는 유체는 피부에 자극을 주거나 화상을 입힐 수 있습니다.
- ▶ 손상된 배터리 또는 공구를 사용하지 마십시오. 손상되었거나 개조된 배터리는 예기치 못한 특성으로 인해 화재, 폭발 또는 부상의 위험을 초래할 수 있습니다.
- ▶ 배터리 또는 공구가 화기 또는 지나치게 높은 온도에 노출되지 않도록 하십시오. 화기 또는 130 °C 이상의 온도에 노출되면 폭발할 위험이 있습니다.
- ▶ 충전 지침을 준수하고 지침에 제시된 범위를 벗어난 온도에서 충전하지 마십시오. 제시된 범위를 벗어난 부적절한 온도에서 충전할 경우 배터리가 손상되어 화재 발생의 위험이 증가됩니다.

#### 서비스

- ▶ 전동공구 수리는 반드시 전문 인력에게 맡기고, 수리 정비 시 보쉬 순정 부품만을 사용하십시오. 그렇게 함으로써 기기의 안전성을 오래 유지할 수 있습니다.
- ▶ 손상된 배터리는 절대 수리하지 마십시오. 배터리 수리는 제조사 또는 공인 서비스센터에서만 진행할 수 있습니다.

#### 그라인더 관련 안전 수칙

- ▶ 본 전동공구는 건식 작업에만 사용하십시오. 전동공구에 물이 들어가면 감전될 위험이 높습니다.
- ▶ 주의 화재 위험! 가공물과 그라인더가 과열되지 않도록 하십시오. 작업을 중단하기 전에 항상 먼지 용기를 비우십시오. 분진 박스, 마이크로 필터, 종이백 (또는 필터 주머니 또는 집진기의 필터)에 있는 샌딩 분진은 자체적으로 점화될 수 있습니다. 특히 니스, 폴리우레탄 혹은 다른 화학 물질과 혼합될 경우 혹은 장시간 작업 후 작업물이 뜨거워진 경우 위험하므로 주의하십시오.
- ▶ 배터리가 손상되었거나 잘못 사용될 경우 증기가 발생할 수 있습니다. 배터리에서 화재가 발생하거나 폭발할 수 있습니다. 작업장을 환기시키고, 필요한 경우 의사와 상담하십시오. 증기로 인해 호흡기가 자극될 수 있습니다.
- ▶ 배터리를 분해하지 마십시오. 단락이 발생할 위험이 있습니다.
- ▶ 못이나 스크류 드라이버 같은 뾰족한 물체 또는 외부에서 오는 충격 등으로 인해 축전지가 손상될 수 있습니다. 내부 단락이 발생하여 배터리가 타거나 연기가 발생하고, 폭발 또는 과열될 수 있습니다.
- ▶ 제조사의 배터리 제품만 사용하십시오. 그래야만 배터리 과부하의 위험을 방지할 수 있습니다.



배터리를 태양 광선 등 고열에 장시간 노출되지 않도록 하고 불과 오염물질, 물, 수분이 있는 곳에 두지 마십시오. 폭발 및 단락의 위험이 있습니다.



- ▶ 전동공구를 내려놓기 전에 기기가 완전히 멈추었는지 확인하십시오.
- ▶ 작업물을 잘 고정하십시오. 고정장치나 기계 바이스에 끼워서 작업하면 손으로 잡는 것보다 더 안전합니다.

## 제품 및 성능 설명



모든 안전 수칙과 지침을 숙지하십시오. 다음의 안전 수칙과 지침을 준수하지 않으면 화재 위험이 있으며 감전 혹은 중상을 입을 수 있습니다.

사용 설명서 앞 부분에 제시된 그림을 확인하십시오.

### 규정에 따른 사용

본 전동공구는 목재 플라스틱 혼합재 및 도장된 표면에 건식 샌딩을 하는 데 사용해야 합니다.

### 제품의 주요 명칭

제품의 주요 명칭에 표기되어 있는 번호는 기기 그림이 나와있는 면을 참고하십시오.

- (1) 전원 스위치
- (2) 전체 분진 박스
- (3) 배터리<sup>A)</sup>
- (4) 배터리 해제 버튼<sup>A)</sup>
- (5) 배터리 충전상태 표시기<sup>A)</sup>
- (6) 진동수 사전 선택 조정 휠
- (7) 샌딩판
- (8) 손잡이(절연된 손잡이 부위)
- (9) 샌딩 페이퍼
- (10) 샌딩판용 나사
- (11) 샌딩판 베이스
- (12) 연결 부위
- (13) 분진 박스
- (14) 분진 박스 어댑터
- (15) 흡입 호스<sup>A)</sup>

A) 도면이나 설명서에 나와있는 액세서리는 표준 공급부품에 속하지 않습니다. 전체 액세서리는 저희 액세서리 프로그램을 참고하십시오.

### 제품 사양

원형 샌더	GEX 10.8V-125	
제품 번호	3 601 C72 1..	
정격 전압	V <sub>m</sub>	10.8
진동수 선택	●	
무부하 속도 n <sub>0</sub> <sup>A)</sup>	min <sup>-1</sup>	6000-10000
무부하 진동수 <sup>A)</sup>	min <sup>-1</sup>	12000-20000

원형 샌더	GEX 10.8V-125	
진동 직경	mm	2.5
샌딩판 직경	mm	125
EPTA-Procedure 01:2014에 따른 중량 <sup>A)</sup>	kg	1.0-1.2
충전 시 권장되는 주변 온도	°C	0 ... +35
작동 시 <sup>B)</sup> 및 보관 시 허용되는 주변 온도	°C	-15 ... +50
권장 배터리	GBA 10.8V...	
권장하는 충전기	GAL 12... GAX 18...	

- A) 사용하는 배터리에 따라 상이
- B) 온도 <0 °C일 때 출력 제한

## 조립

- ▶ 전동공구에 각종 작업(보수 정비 및 액세서리 교환 등)을 하거나 전동공구를 운반하거나 보관할 경우 배터리를 전동공구에서 빼십시오. 실수로 전원 스위치가 작동하게 되면 상해를 입을 위험이 있습니다.

### 배터리 충전하기

- ▶ 기술자료에 기재되어 있는 충전기만 사용하십시오. 귀하의 전동공구에 사용된 리튬이온 배터리에 맞춰진 충전기들입니다.

**지침:** 배터리는 일부 충전되어 공급됩니다. 배터리의 성능을 완전하게 보장하기 위해서는 처음 사용하기 전에 배터리를 충전기에 완전히 충전하십시오. 리튬이온 배터리는 항상 충전할 수 있으며, 이로 인해 수명이 단축되지 않습니다. 충전을 하다 중간에 중지해도 배터리가 손상되지 않습니다.

리튬 이온 배터리는 “Electronic Cell Protection (ECP)” (전자 셀 보호) 기능이 있어 과도하게 방전되지 않습니다. 배터리가 방전되면 안전 스위치가 작동하여 전동공구가 꺼지고 비트가 더 이상 움직이지 않습니다.

- ▶ 전동공구가 자동으로 작동이 중단된 경우 전원 스위치를 계속 누르지 마십시오. 배터리가 손상될 수 있습니다.

폐기처리에 관련된 지시 사항을 준수하십시오.

### 배터리 분리하기(그림 A 참조)

배터리 (3) 를 분리하려면 배터리 해제 버튼 (4) 을 누른 상태에서 배터리를 전동공구 측면으로 당겨내십시오. 무리하게 힘을 가하지 마십시오.

### 배터리 충전상태 표시기

전동공구의 배터리 충전상태 표시기 (5) 는 세 개의 녹색 LED로 구성되어 있습니다. 전원을 켜거나 끈 후 몇 초 간 배터리 충전상태를 보여줍니다.

LED	용량
연속등 3 x 녹색	60 - 100 %

LED	용량
연속등 2 x 녹색	30 - 60 %
연속등 1 x 녹색	10 - 30 %
느린 깜박등 1 x 녹색	0 - 10 %

**배터리 충전상태 표시기의 3개 LED는 배터리 온도가 작동 온도 범위 -30 ~ +70°C 사이를 벗어나는 경우 그리고/또는 과부하 방지장치가 반응하는 경우 빠르게 깜박입니다.**

### 샌딩 페이퍼 교체하기(그림 B 참조)

샌딩 페이퍼 (9) 교환 시 샌딩판 (7) 옆면을 잡고 당겨 빼십시오.

새로운 샌딩 페이퍼를 끼우기 전에 브러시 등을 이용해 샌딩판 (7) 의 이물질 및 분진을 제거하십시오.

샌딩판 (7) 의 표면은 접착형 소재로 되어있어 샌딩 페이퍼를 쉽고 간단히 고정할 수 있습니다.

샌딩 페이퍼 (9) 를 샌딩판 (7) 아랫면에 대고 단단히 누르십시오.

효과적으로 분진을 제거하기 위해서는 샌딩 페이퍼 (9) 의 구멍과 샌딩판 (7) 의 구멍이 일치해야 합니다.

특히 망사 페이퍼(예: Bosch M480) 사용 시 샌딩판의 수명을 높이려면, 샌딩판과 절단석 사이에 Pad Saver(엑세서리)를 설치할 수 있습니다.

### 샌딩판의 선택

본 전동공구는 작업 용도에 따라 다양한 강도의 샌딩판을 적용할 수 있습니다:

- 연질의 샌딩판: 섬세한 샌딩 작업 및 휘어진 표면에 적합
- 중간 강도의 샌딩판: 범용적이며 모든 샌딩 작업 가능
- 경질의 샌딩판: 평평한 표면에 높은 강도의 작업에 적합

### 샌딩판 교체하기(그림 C 참조)

**지침:** 샌딩판 (7) 이 손상된 경우 즉시 교체하십시오.

샌딩 페이퍼를 빼내십시오. (스크류 드라이버 T20 을 이용해) 4개 볼트 (10) 를 돌려 완전히 빼낸 후 샌딩판 (7) 을 분리하십시오. 새로운 샌딩판 (7) 을 끼우고 볼트를 다시 체결하십시오.

**지침:** 샌딩판을 끼울 때 샌딩판 뒤쪽에 구동 부분과 맞물리는 톱니형 홈더가 있는데 이를 맞추어 끼워 주어야 합니다.

**지침:** 손상된 샌딩판 베이스 (11) 는 반드시 보쉬 지정 전동공구 전문 서비스 센터에 맡겨 교환하십시오.

### 분진 및 톱밥 추출장치

납 성분을 포함한 페인트나 몇몇 나무 종류 및 광물 성분과 같은 재료의 분진은 건강을 해칠 수 있습니다. 이 분진을 만지거나 호흡할 경우, 사용자나 주변 사람들이 알레르기 반응이나 호흡기 장애를 일으킬

수 있습니다.

떡갈나무나 너도밤나무와 같은 특정한 분진은 암을 유발시키며, 특히 목재 처리용으로 사용되는 부가 원료 (크로마트, 목재 보호제)와 혼합되면 암을 유발시키게 됩니다. 석면 성분을 포함한 재료는 오직 전문가가 작업을 해야 합니다.

- 가능하면 작업물 소재에 적당한 분진 추출장치를 사용하십시오.
- 작업장의 통풍이 잘 되도록 하십시오.
- 필터등급 P2에 해당되는 호흡 마스크를 사용하십시오.

작업용 재료에 관해 국가가 지정한 규정을 고려하십시오.

**▶ 작업장에 분진이 쌓이지 않도록 하십시오.** 분진이 쉽게 발화할 수 있습니다.

### 분진 박스를 통한 자체 분진 처리(그림 D-F 참조)

분진 박스가 공구와 밀접을 이루어 닫힐 때까지 전체 분진 박스 (2) 를 연결 부위 (12) 로 밀어 설치하십시오.

분진 박스 (13) 를 비우려면, 전체 분진 박스 (2) 를 연결 부위 (12) 에서 빼내십시오. 어댑터 (14) 를 분진 박스 (13) 에서 빼내고 분진 박스의 내용물을 비우십시오.

**지침:** 분진 제거 성능을 최적으로 유지하려면, 분진 박스 (13) 를 적시에 비워주십시오.

수직면에 작업할 때 분진 박스 (2) 가 아래로 향하도록 전동공구를 잡으십시오.

### 외부 분진 처리(그림 G 참조)

흡입 호스 (15) 를 연결 부위 (12) 에 끼우십시오.

흡입 호스 (15) 를 진공 청소기에 연결하십시오. 다양한 진공 청소기 연결에 관한 정보는 본 설명서의 마지막 부분에서 확인할 수 있습니다.

진공 청소기는 작업하는 소재에 적당한 것이어야 합니다.

특히 건강에 유해한 발암성 혹은 건조한 분진을 처리해야 할 경우에는 특수한 청소기를 사용해야 합니다.

수직면에 작업할 때 흡입 호스가 아래로 향하도록 전동공구를 잡으십시오.

## 작동

### 기계 시동

#### 전원 스위치 작동

**▶ 손잡이에서 손을 떼지 않고 전원 스위치를 작동할 수 있는지 확인하십시오.**

전동공구의 전원을 켜려면 전원 스위치 (1) 를 누르십시오.

전동공구의 전원을 끄려면 전원 스위치 (1) 를 다시 누르십시오.

#### 진동수 선택하기

기기가 작동 중에도 진동수 선택 스위치 (6) 로 필요한 진동수를 선택할 수 있습니다.



- 1 - 2 낮은 속도
- 3 - 4 중간 속도
- 5 - 6 높은 속도

필요한 진동수는 작업하려는 소재와 작업 조건에 따라 달라지므로 직접 시험을 통해 결정할 수 있습니다.

**작업 개요**

작업/소재	샌딩용품	회전속도 단계
벗겨내기	- 오래된 페인트 및 광택제 벗겨내기	P60-P100
	- 목재 샌딩	
중간 샌딩	- 열가소성 플라스틱 샌딩	P60-P100
	- 광택 작업 전 목재 및 베니어 샌딩	P120-P180
	- 목재 부품 모서리 다듬기	
	- 부식 처리 전 목재 표면 마무리 광택 작업	
미세 샌딩	- 광택 중간 샌딩 및 광택 작업 전 샌딩 작업	P220-P280
	- 모서리에서 광택 중간 샌딩	
	- 목재 샌딩	P150-P180
미세 샌딩	- 경목 및 베니어 모서리 샌딩 작업	
	- 부식 처리된 표면 및 모서리에 광택 샌딩	P240-P320
		1-3

정속도 전자장치가 공회전 시 및 부하 시 진동수를 거의 일정하게 유지하여 균일한 작업 성능을 보장합니다.

느린 속도로 장시간 연속 작업을 했을 경우 전동공구를 식히기 위해 약 3분간 무부하 상태의 최고 속도로 작동하여 주십시오.

**사용 방법**

- ▶ 전동공구에 각종 작업(보수 정비 및 액세서리 교환 등)을 하거나 전동공구를 운반하거나 보관할 경우 배터리를 전동공구에서 빼십시오. 실수로 전원 스위치가 작동하게 되면 상해를 입을 위험이 있습니다.
- ▶ 전동공구를 내려놓기 전에 기기가 완전히 멈추었는지 확인하십시오.
- ▶ 본 전동공구는 고정시켜 작업하는 용도로는 적합하지 않습니다. 예를 들어 바이스에 고정시키거나 작업 거치대에 고정시켜 사용할 수 없습니다.

작업 시 피로하지 않도록 전동공구를 작업에 따라 위나 옆에서 혹은 앞에서 잡을 수 있습니다(그림 H 참조).

**표면 샌딩 작업**

전동공구의 스위치를 켜고 기기의 전체 샌딩 면을 작업하려는 바닥에 놓고 일정한 압력을 가하여 작업하도록 하십시오.

샌딩작업의 성공 여부와 결과는 대체로 샌딩 페이퍼의 선택, 설정한 진동 단계 그리고 누르는 힘에 따라 좌우됩니다.

아무런 하자가 없는 샌딩 페이퍼를 사용해야 훌륭한 샌딩 작업 결과를 얻을 수 있고 전동공구를 보호할 수 있습니다.

일정한 압력으로 작업을 하면 샌딩 페이퍼의 수명을 연장할 수 있습니다.

지나치게 눌러 작업을 하면, 샌딩 효과가 좋아지는 것이 아니라 전동공구와 샌딩 페이퍼가 더 빨리 소모됩니다.

**Bosch** 순정 샌딩 액세서리만 사용하십시오.

**조도 연마**

굵은 입방수의 샌딩 페이퍼를 끼웁니다.

높은 속도로 작동하여 피드가 많이 생기도록 전동공구를 가볍게 눌러 주십시오.

**미세 연마**

미세한 입방수의 샌딩 페이퍼를 끼웁니다.

기기에 가하는 힘을 약간 변경하거나 작업 속도 단계를 조정하면 원형 동작을 그대로 유지하면서 진동수를 줄일 수 있습니다.

작업을 표면에 적당한 압력을 가하면서 원형으로 혹은 가로세로로 번갈아가며 전동공구를 움직입니다. 베니어 판 등 작업물이 뚫어지는 경우를 피하기 위하여 전동공구를 기울여 작동하지 마십시오.

작업을 마치고 나서 전동공구의 스위치를 끕니다.

**보수 정비 및 서비스**

**보수 정비 및 유지**

- ▶ 전동공구에 각종 작업(보수 정비 및 액세서리 교환 등)을 하거나 전동공구를 운반하거나 보관할 경우 배터리를 전동공구에서 빼십시오. 실수로 전원 스위치가 작동하게 되면 상해를 입을 위험이 있습니다.
- ▶ 안전하고 올바른 작동을 위하여 전동공구와 전동공구의 통풍구를 항상 깨끗이 하십시오.

**AS 센터 및 사용 문의**

AS 센터에서는 귀하 제품의 수리 및 보수정비, 그리고 부품에 관한 문의를 받고 있습니다. 대체 부품에 관한 분해 조립도 및 정보는 인터넷에서도 찾아볼 수 있습니다 - [www.bosch-pt.com](http://www.bosch-pt.com)

보수 사용 문의 팀에서는 보수의 제품 및 해당 액세서리에 관한 질문에 기꺼이 답변 드릴 것입니다.

## 16 | 한국어

문의나 대체 부품 주문 시에는 반드시 제품 네임 플레이트에 있는 10자리의 부품번호를 알려 주십시오.

콜센터

080-955-0909

**다른 AS 센터 주소는 아래 사이트에서 확인할 수 있습니다:**

[www.bosch-pt.com/serviceaddresses](http://www.bosch-pt.com/serviceaddresses)

### 운반

포함되어 있는 리튬이온 배터리는 위험물 관련 규정을 따라야 합니다. 별도의 요구사항 없이 배터리를 사용자가 직접 도로 상에서 운반할 수 있습니다.

제3자를 통해 운반할 경우(항공 운송이나 운송 회사 등) 포장과 표기에 관한 특별한 요구 사항을 준수해야 합니다. 이 경우 발송 준비를 위해 위험물 전문가와 상담해야 합니다.

표면이 손상되지 않은 배터리만 사용하십시오. 배터리의 접촉 단자면을 덮어 붙인 상태로 내부에서 움직이지 않도록 배터리를 포장하십시오. 또한 이와 관련한 국내 규정을 준수하십시오.

### 처리



전동공구, 배터리, 액세서리 및 포장은 환경 친화적인 방법으로 재생할 수 있도록 분류하십시오.



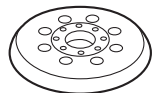
전동공구와 충전용 배터리/배터리를 가정용 쓰레기로 처리하지 마십시오!

### 충전용 배터리/배터리:

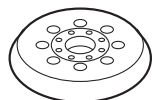
#### 리튬이온:

운반 단락에 나와 있는 지침을 참고하십시오 (참조 „운반“, 페이지 16).

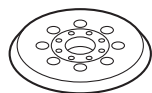




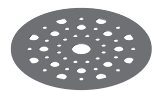
2 608 000 714 (medium)



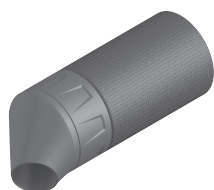
2 608 000 351 (soft)



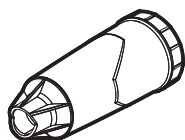
2 608 000 352 (hard)



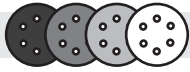
2 608 000 689 (pad saver)



2 608 000 715

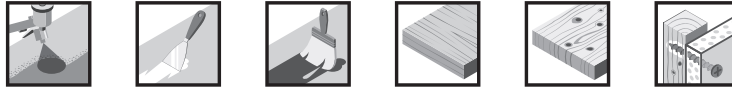


2 605 411 233



**M480 Net**

best **for** **Wood+Paint**



Rough/Remove	80	Medium/Prepare	100 120 150 180	Fine/Finish	220 240 320 400
--------------	----	----------------	--------------------------	-------------	--------------------------

**C470**

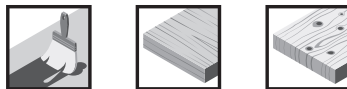
best **for** **Wood+Paint**



Rough/Remove	40 60 80	Medium/Prepare	100 120 150 180	Fine/Finish	220 240 320
--------------	----------------	----------------	--------------------------	-------------	-------------------

**C430**

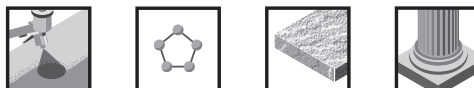
expert **for** **Wood+Paint**



Rough/Remove	40 60 80	Medium/Prepare	120 180	Fine/Finish	240
--------------	----------------	----------------	------------	-------------	-----

**F355**

best **for** **Coatings+Composites**



Rough/Remove	80	Medium/Prepare	100 120 180	Fine/Finish	240 320 400	Very fine/Finish	600 1200
--------------	----	----------------	-------------------	-------------	-------------------	------------------	-------------

