

Robert Bosch GmbH
Power Tools Division
70745 Leinfelden-Echterdingen
Germany

www.bosch-pt.com

2 609 140 653 (2009.04) PS / 84 ASIA

GMR 1 Professional

 **BOSCH**

en Original instructions

cn 正本使用说明书

tw 正本使用說明書

ko 사용 설명서 원본

th หนังสือคู่มือการใช้งานฉบับต้นแบบ

id Petunjuk-Petunjuk untuk
Penggunaan Orisinal

vi Bảng hướng dẫn nguyên bản

fr Notice originale

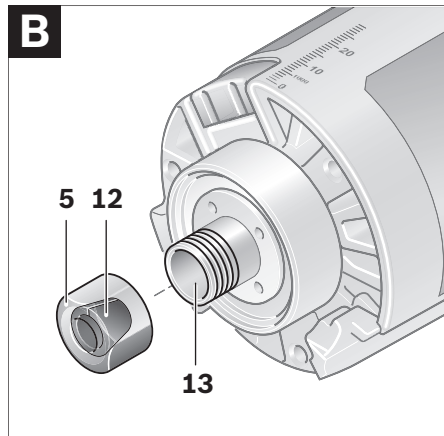
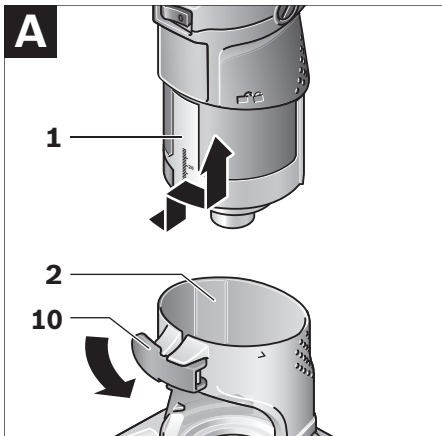
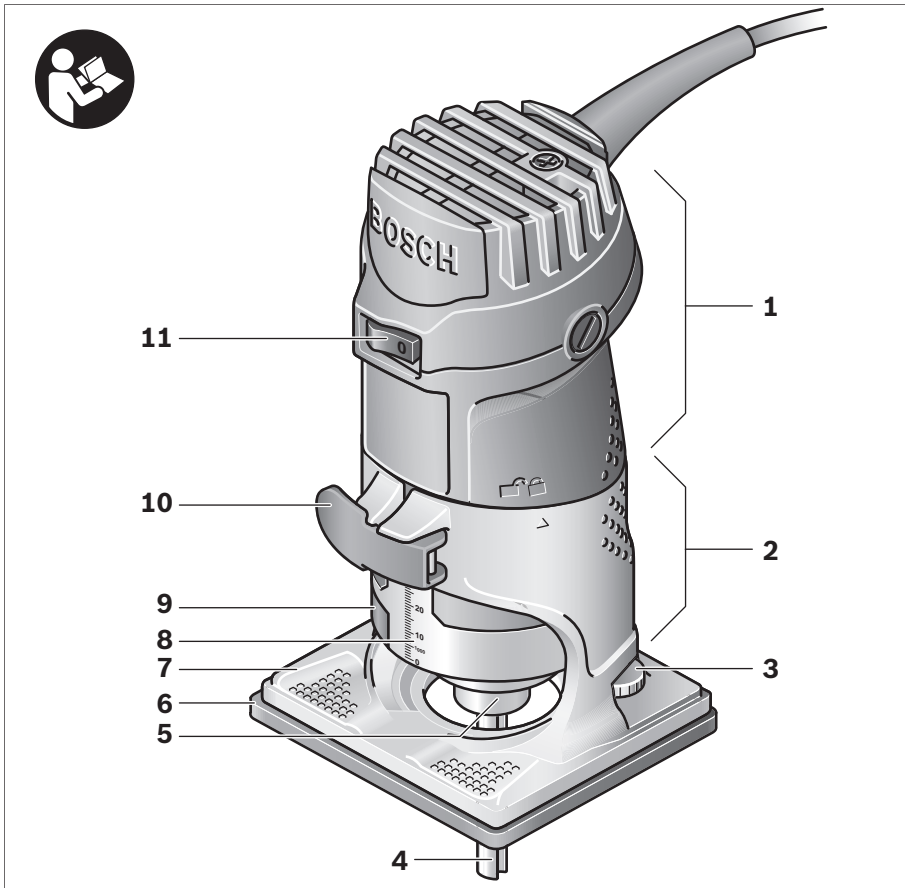
ar تعليمات التشغيل الأصلية

fa راهنمای طرز کار اصلی

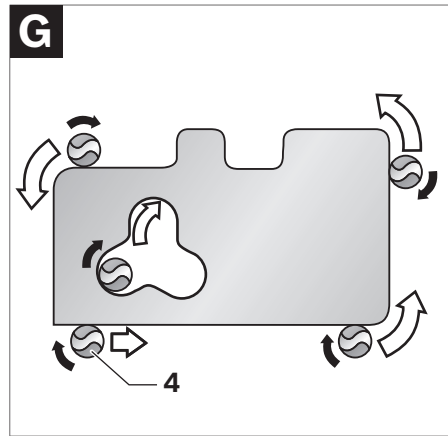
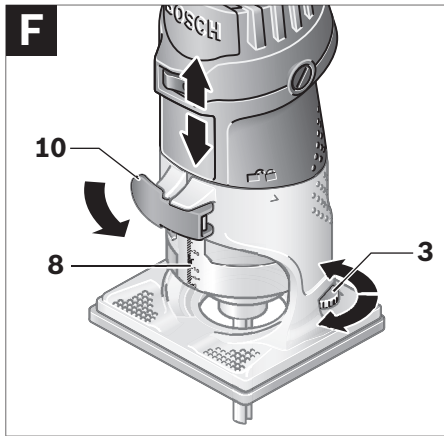
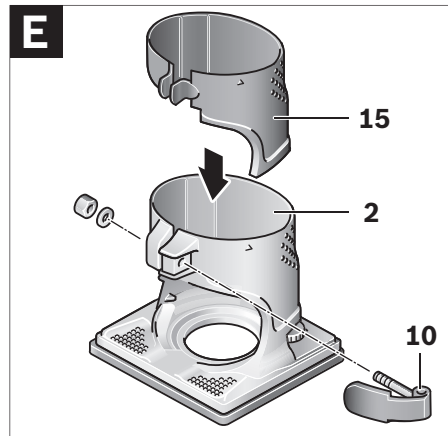
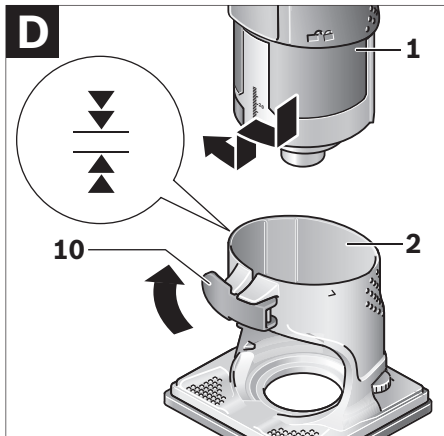
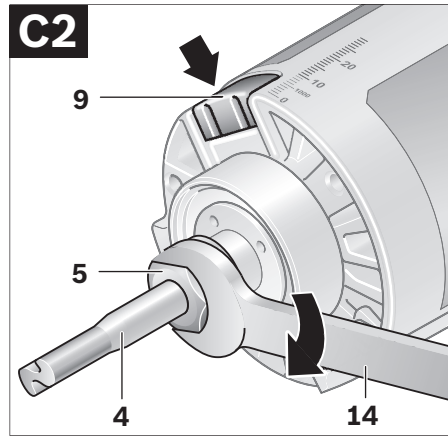
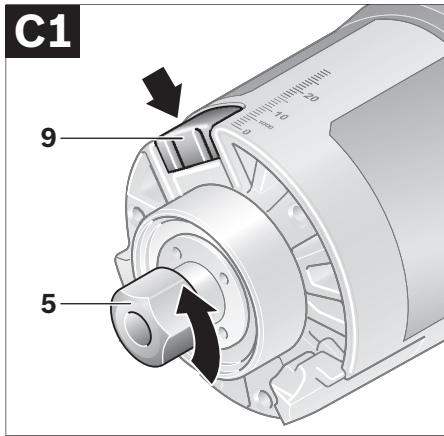


English	Page	7
中文.....	页	16
中文.....	頁	22
한국어.....	면	28
ภาษาไทย.....	หน้า	35
Bahasa Indonesia	Halaman	43
Tiếng Việt.....	Trang	52
Français	Page	60
عربي	صفحة	75
فارسی	صفحه	83

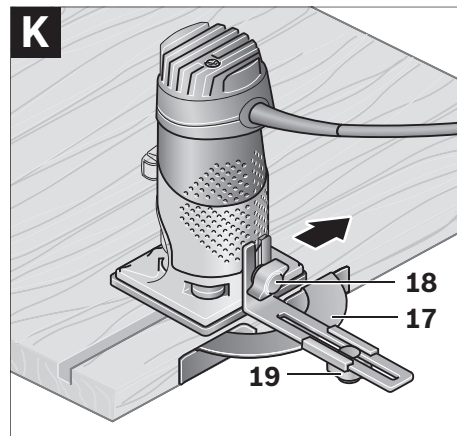
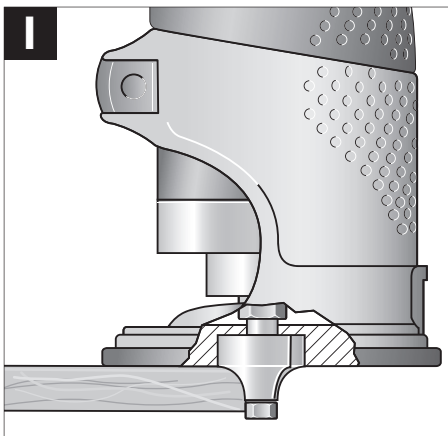
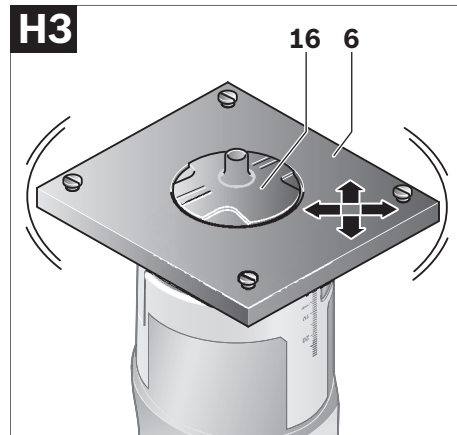
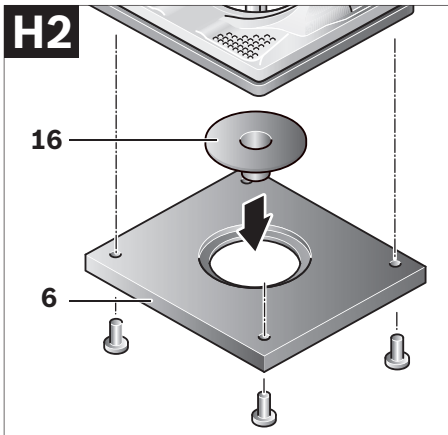
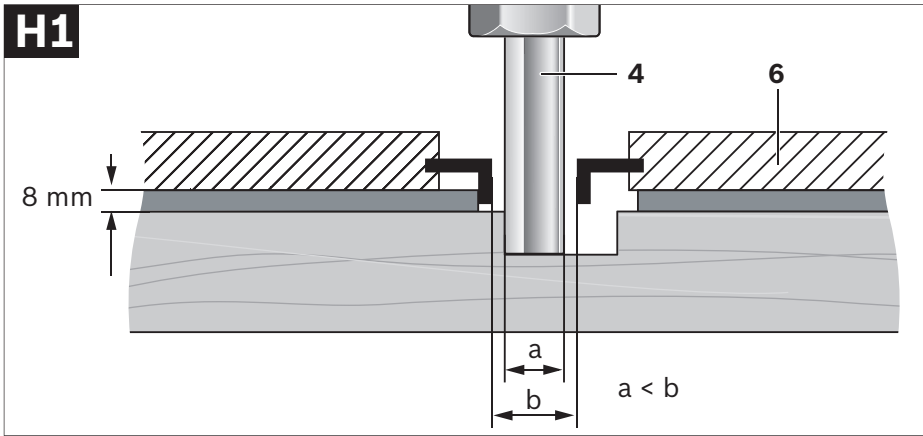
3 |



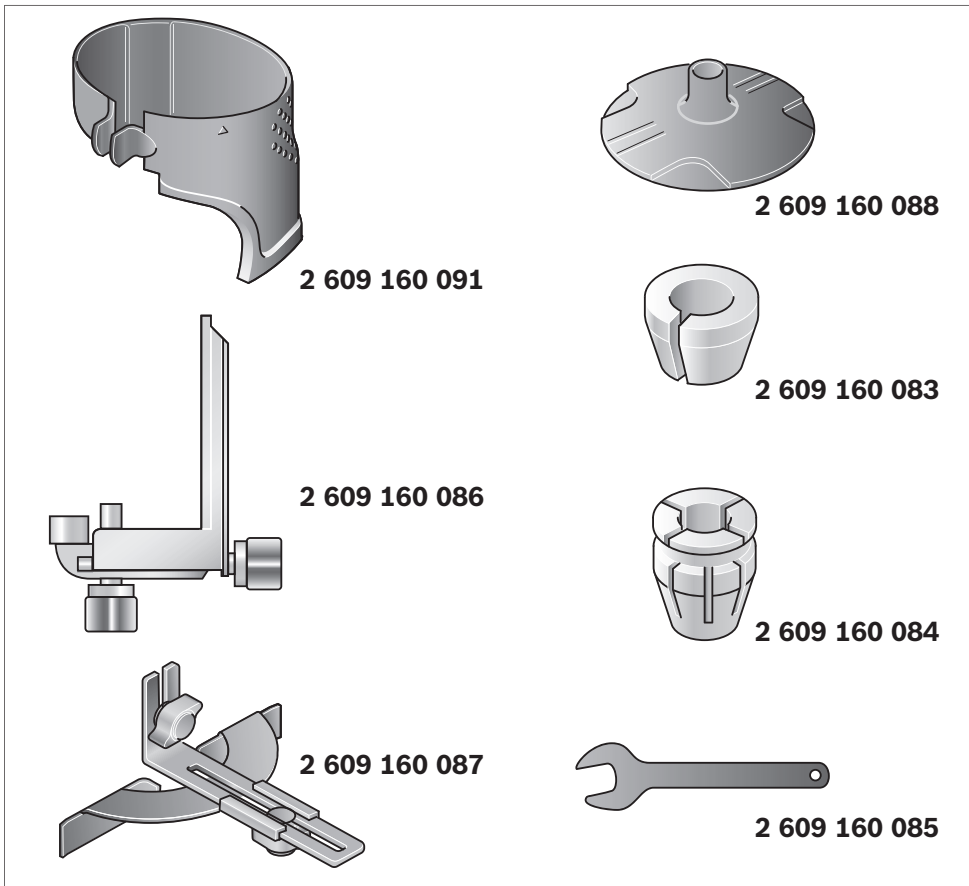
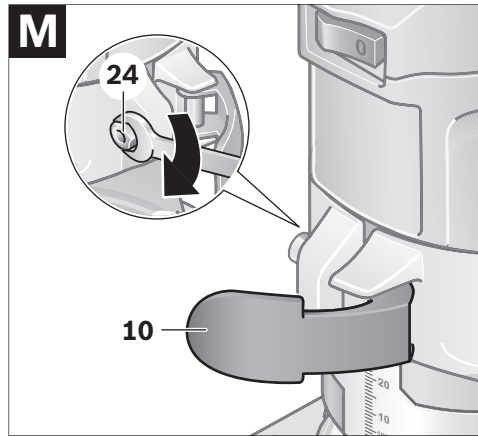
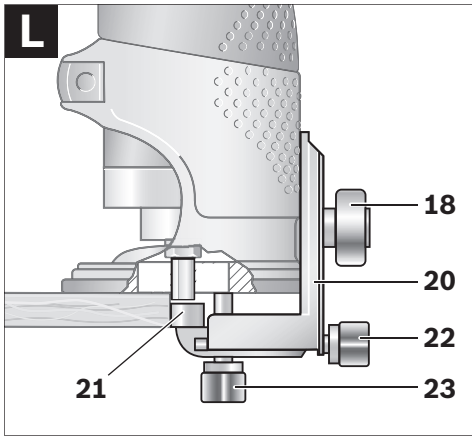
4 |



5 |



6 |



Safety Notes

General Power Tool Safety Warnings

⚠ WARNING Read all safety warnings and all instructions. Failure to follow

the warnings and instructions may result in electric shock, fire and/or serious injury.

Save all warnings and instructions for future reference.

The term “power tool” in the warnings refers to your mains-operated (corded) power tool or battery-operated (cordless) power tool.

1) Work area safety

- a) **Keep work area clean and well lit.** Cluttered or dark areas invite accidents.
- b) **Do not operate power tools in explosive atmospheres, such as in the presence of flammable liquids, gases or dust.** Power tools create sparks which may ignite the dust or fumes.
- c) **Keep children and bystanders away while operating a power tool.** Distractions can cause you to lose control.

2) Electrical safety

- a) **Power tool plugs must match the outlet. Never modify the plug in any way. Do not use any adapter plugs with earthed (grounded) power tools.** Unmodified plugs and matching outlets will reduce risk of electric shock.
- b) **Avoid body contact with earthed or grounded surfaces, such as pipes, radiators, ranges and refrigerators.** There is an increased risk of electric shock if your body is earthed or grounded.
- c) **Do not expose power tools to rain or wet conditions.** Water entering a power tool will increase the risk of electric shock.
- d) **Do not abuse the cord. Never use the cord for carrying, pulling or unplugging the power tool. Keep cord away from heat, oil, sharp edges and moving parts.** Damaged or entangled cords increase the risk of electric shock.

e) **When operating a power tool outdoors, use an extension cord suitable for outdoor use.** Use of a cord suitable for outdoor use reduces the risk of electric shock.

f) **If operating a power tool in a damp location is unavoidable, use a residual current device (RCD) protected supply.** Use of an RCD reduces the risk of electric shock.

3) Personal safety

- a) **Stay alert, watch what you are doing and use common sense when operating a power tool. Do not use a power tool while you are tired or under the influence of drugs, alcohol or medication.** A moment of inattention while operating power tools may result in serious personal injury.
- b) **Use personal protective equipment. Always wear eye protection.** Protective equipment such as dust mask, non-skid safety shoes, hard hat, or hearing protection used for appropriate conditions will reduce personal injuries.
- c) **Prevent unintentional starting. Ensure the switch is in the off-position before connecting to power source and/or battery pack, picking up or carrying the tool.** Carrying power tools with your finger on the switch or energising power tools that have the switch on invites accidents.
- d) **Remove any adjusting key or wrench before turning the power tool on.** A wrench or a key left attached to a rotating part of the power tool may result in personal injury.
- e) **Do not overreach. Keep proper footing and balance at all times.** This enables better control of the power tool in unexpected situations.
- f) **Dress properly. Do not wear loose clothing or jewellery. Keep your hair, clothing and gloves away from moving parts.** Loose clothes, jewellery or long hair can be caught in moving parts.

8 | English

g) If devices are provided for the connection of dust extraction and collection facilities, ensure these are connected and properly used. Use of dust collection can reduce dust-related hazards.

4) Power tool use and care

a) Do not force the power tool. Use the correct power tool for your application. The correct power tool will do the job better and safer at the rate for which it was designed.

b) Do not use the power tool if the switch does not turn it on and off. Any power tool that cannot be controlled with the switch is dangerous and must be repaired.

c) Disconnect the plug from the power source and/or the battery pack from the power tool before making any adjustments, changing accessories, or storing power tools. Such preventive safety measures reduce the risk of starting the power tool accidentally.

d) Store idle power tools out of the reach of children and do not allow persons unfamiliar with the power tool or these instructions to operate the power tool. Power tools are dangerous in the hands of untrained users.

e) Maintain power tools. Check for misalignment or binding of moving parts, breakage of parts and any other condition that may affect the power tool's operation. If damaged, have the power tool repaired before use. Many accidents are caused by poorly maintained power tools.

f) Keep cutting tools sharp and clean. Properly maintained cutting tools with sharp cutting edges are less likely to bind and are easier to control.

g) Use the power tool, accessories and tool bits etc. in accordance with these instructions, taking into account the working conditions and the work to be performed. Use of the power tool for operations different from those intended could result in a hazardous situation.

5) Service

a) Have your power tool serviced by a qualified repair person using only identical replacement parts. This will ensure that the safety of the power tool is maintained.

Safety Warnings for Routers

- ▶ **The allowable speed of the router bit must be at least as high as the maximum speed listed on the power tool.** Accessories that rotate faster than permitted can be destroyed.
- ▶ **Router bits or other accessories must fit exactly in the tool holder (collet) of your machine.** Routing bits that do not fit precisely in the tool holder of the machine rotate irregularly, vibrate heavily and can lead to loss of control.
- ▶ **Apply the machine to the workpiece only when switched on.** Otherwise there is danger of kickback when the cutting tool jams in the workpiece.
- ▶ **Never cut over metal objects, nails or screws.** The router bit can become damaged and lead to increased vibrations.
- ▶ **Hold the power tool only by the insulated gripping surfaces when performing an operation where the cutting tool may contact hidden wiring or its own cord.** Contact with a "live" wire will also make exposed metal parts of the power tool "live" and shock the operator.
- ▶ **Use appropriate detectors to determine if utility lines are hidden in the work area or call the local utility company for assistance.** Contact with electric lines can lead to fire and electric shock. Damaging a gas line can lead to explosion. Penetrating a water line causes property damage or may cause an electric shock.
- ▶ **Do not use blunt or damaged router bits.** Blunt or damaged router bits cause increased friction, can become jammed and lead to imbalance.
- ▶ **Secure the workpiece.** A workpiece clamped with clamping devices or in a vice is held more secure than by hand.

- ▶ **Always wait until the machine has come to a complete stop before placing it down.** The tool insert can jam and lead to loss of control over the power tool.
- ▶ **Never use the machine with a damaged cable. Do not touch the damaged cable and pull the mains plug when the cable is damaged while working.** Damaged cables increase the risk of an electric shock.

Products sold in GB only: Your product is fitted with an BS 1363/A approved electric plug with internal fuse (ASTA approved to BS 1362). If the plug is not suitable for your socket outlets, it should be cut off and an appropriate plug fitted in its place by an authorised customer service agent. The replacement plug should have the same fuse rating as the original plug. The severed plug must be disposed of to avoid a possible shock hazard and should never be inserted into a mains socket elsewhere.

Products sold in AUS and NZ only: Use a residual current device (RCD) with a rated residual current of 30 mA or less.

Functional Description



Read all safety warnings and all instructions. Failure to follow the warnings and instructions may result in electric shock, fire and/or serious injury.

While reading the operating instructions, unfold the graphics page for the machine and leave it open.

Intended Use

The machine is intended for routing grooves, edges, profiles and elongated holes as well as for copy routing in wood, plastic and light building materials, while resting firmly on the workpiece.

Product Features

The numbering of the components shown refers to the representation of the power tool on the graphic pages.

- 1 Motor unit
- 2 Routing base
- 3 Thumbwheel for depth-of-cut fine adjustment
- 4 Router bit*
- 5 Tightening nut with collet
- 6 Guide plate
- 7 Base plate
- 8 Scale for depth-of-cut
- 9 Spindle lock button
- 10 Clamping lever
- 11 On/Off switch
- 12 Collet chuck
- 13 Tool holder
- 14 Open-end spanner (17 mm)
- 15 Base cover sleeve
- 16 Guide bushing*
- 17 Parallel guide
- 18 Wing bolt for attachment of side stop
- 19 Wing bolt for parallel guide
- 20 Roller guide *
- 21 Roller
- 22 Wing bolt for locking of the horizontal alignment
- 23 Wing bolt for horizontal alignment of the roller guide
- 24 Nut for adjustment of the tensioning force

***Accessories shown or described are not part of the standard delivery scope of the product. A complete overview of accessories can be found in our accessories program.**

10 | English

Technical Data

Plunge router	GMR 1 Professional	
Article number		3 601 FOA 0..
Rated power input	W	550
No-load speed	min ⁻¹	33000
Tool holder	mm	6
	inch	¼
Weight according to EPTA-Procedure 01/2003	kg	1.5

Protection class □/II

The values given are valid for nominal voltages [U] of 230/240 V. For lower voltage and models for specific countries, these values can vary.


Please observe the article number on the type plate of your machine. The trade names of the individual machines may vary.

Assembly**Changing the Tool**

- ▶ **Before any work on the machine itself, pull the mains plug.**
- ▶ **It is recommended to wear protective gloves when inserting or replacing router bits.**

Disassembling the Routing Base (see figure A)

Before a router bit can be inserted, the routing base **2** must first be removed from the motor unit **1**.

- Open the clamping lever **10** and turn the routing base **2** so that the ▲ mark is in line with the  symbol on the motor unit **1**.
- Pull the motor unit upward to the stop.
- Turn the motor unit in anticlockwise direction to the stop and pull it out of the routing base.

Replacing the Collet (see figure B)

Depending on the routing tool being used, the tightening nut with the collet **5** may need to be replaced before inserting the router bit.

When the right collet for your router bit is already mounted, follow the work steps as described under “Inserting a Router Bit”.

The collet **12** must have somewhat play when seated in the tightening nut. The tightening nut **5** must assemble easily. Should the tightening nut or collet be damaged, replace immediately.

- Push the spindle lock button **9** and keep it pressed. If required, rotate the motor spindle by hand until it locks. (see Fig. C1)
- Unscrew the tightening nut **5** with open-end spanner **14** turning in anticlockwise direction.
- Release the spindle lock button.
- If required, clean all parts to be mounted prior to assembling, using a soft brush or by blowing out with compressed air.
- Start the new tightening nut on tool holder **13**.
- Hand-tighten the tightening nut.

▶ **Do not tighten the tightening nut of the collet without a router bit inserted.** Otherwise the collet can be damaged.

Inserting a Router Bit (see figures C1–C2)

Depending on the application, router bits are available in the most different designs and qualities.

Router bits made of high speed steel (HSS) are suitable for the machining of soft materials, e. g. softwood and plastic.

Carbide tipped router bits (HM) are particularly suitable for hard and abrasive materials, e. g. hardwood and aluminium.

Original router bits from the extensive Bosch accessories program are available at your specialist shop.

Only use clean router bits that are in perfect condition.

- Push the spindle lock button **9** and keep it pressed. If required, rotate the motor spindle by hand until it locks. (see Fig. C1)
 - Loosen the tightening nut **5** with the open-end spanner by turning in anticlockwise direction **14**. (see Fig. C2)
 - Insert the router bit into the collet. The shank of the router bit must be immersed at least 20 mm into the collet.
 - Retighten the tightening nut by turning in clockwise direction.
 - Release the spindle lock button.
- **Do not tighten the tightening nut of the collet without a router bit inserted.** Otherwise the collet can be damaged.

Mounting the Routing Base (see figure D)

For routing, the routing base **2** must be mounted on the motor unit **1** again.

- Open the clamping lever **10** on the motor unit if locked.
- Bring the two double arrows on the motor unit and the routing base **2** into alignment.
- Push the motor unit into the routing base and turn the motor unit in clockwise direction until the ▲ mark points against the ▣ symbol.
- Push the motor unit further into the routing base.
- After mounting is completed, turn the ▲ mark on the routing base to the ▣ symbol on the motor unit.
- Lock the clamping lever.

► **After mounting, always check if the motor unit is seated tightly in the routing base.**

If required, change the pre-tension of the clamping lever **10** (see "Readjusting the Clamping Lever", page 14).

Mounting the Base Cover Sleeve (see figure E)

Intensive use of the trimmer will cause the routing base to become hot. In this case, a base cover sleeve (accessory) can be mounted for protection of the hands.

- Remove the clamping lever **10**.
- Place the base cover sleeve **15** on the routing base **2** from above.
- Reassemble the clamping lever again in such a manner that the motor unit **1** is held securely in the routing base when the clamping lever is locked.

Dust/Chip Extraction

Dusts from materials such as lead-containing coatings, some wood types, minerals and metal can be harmful to one's health. Touching or breathing-in the dusts can cause allergic reactions and/or lead to respiratory infections of the user or bystanders.

Certain dusts, such as oak or beech dust, are considered as carcinogenic, especially in connection with wood-treatment additives (chromate, wood preservative). Materials containing asbestos may only be worked by specialists.

- Provide for good ventilation of the working place.
- It is recommended to wear a P2 filter-class respirator.

► **Observe the relevant regulations in your country for the materials to be worked.**

Operation

Adjusting the Depth-of-cut (see figure F)

- ▶ **The adjustment of the depth-of-cut may only be carried out when the router is switched off.**

For coarse adjustment of the depth-of-cut, proceed as follows:

- Place the machine with the router bit mounted on the workpiece to be machined.
- Open the clamping lever **10** on the motor unit if locked.
- Turn the routing base **2** so that the ▲ mark points against the ☒ symbol and slowly lower the motor unit until the router bit touches the workpiece.
- Lock the clamping lever.
- Read the measuring value off the scale **8** and note it down (zeroing). Add the desired depth-of-cut to this value.
- Open the clamping lever and adjust the motor unit to the calculated scale value.
- Turn the routing base so that the ▲ mark points against the ☒ symbol and lock the clamping lever again.
- Check the carried out depth-of-cut adjustment with a trial cut and correct it, if necessary.

For fine adjustment of the depth-of-cut, proceed as follows:

- With the clamping lever **10** open, turn the routing base so that the ▲ mark points against the ☒ symbol.
- Adjust the desired depth-of-cut with thumb-wheel **3**.
- Lock the clamping lever.

Starting Operation

- ▶ **Observe correct mains voltage! The voltage of the power source must agree with the voltage specified on the nameplate of the machine. Power tools marked with 230 V can also be operated with 220 V.**

Switching On and Off

To **start** the machine, set the On/Off switch **11** to **I**.

To **switch off** the machine, set the On/Off switch **11** to **0**.

Working Advice

- ▶ **Protect router bits against shock and impact.**

Direction of Feed and Routing Process (see figure G)

- ▶ **The feed motion of the router bit **4** must always be carried out against the rotation direction of the router bit (up-grinding).**

When routing in the rotation direction of the router bit (down-cutting), the machine can break loose, eliminating control by the user.

- ▶ **Use the machine only with the routing base **2** mounted.** Loss of control over the machine can cause injuries.
- ▶ **Before beginning the routing procedure, check if the ▲ mark on the routing base is positioned in line with the ☒ symbol on the motor unit **1**.**

Note: Take into consideration that the router bit **4** always extends out of the base plate **7**. Do not damage the template or the workpiece.

- Set the desired depth-of-cut (see “Adjusting the Depth-of-cut”, page 12).
- Switch the machine on and guide it to the location subject to working.
- Carry out the routing process applying uniform feed.
- Switch the machine off after finishing the routing process.
- ▶ **Do not place the power tool down until after the router bit has come to a complete stop.** Coasting application tools can cause injuries.

Routing with Guide Bushing (see figures H1 – H3)

The guide bushing **16** enables template and pattern routing on workpieces.

Choose a suitable guide bushing, depending on the thickness of the template or the pattern. Because of the projecting height of the guide bushing, the template must have a minimum thickness of 8 mm. (see figure H1)

► **Select a router bit with a diameter smaller than the interior diameter of the guide bushing.**

- Unscrew the four pan head screws on the bottom side of the guide plate **6** and remove the guide plate.
- Insert the guide bushing **16** into the guide plate. (see figure H2)
- Screw the guide plate loosely onto the base plate **7** again. The guide plate must be able to move freely.

To ensure that the distance from router bit centre and guide bushing edge is uniform, the guide bushing and the guide plate must be adjusted to each other, if required.

- Align the guide plate in such a manner that router bit and guide bushing are centred to the guide plate opening. (see figure H3)
- Hold the guide plate in this position and tighten the fastening screws.

For routing with the guide bushing **16** proceed as follows:

- Place the machine with the guide bushing **16** against the template.
- Guide the switched on power tool with the protruding guide bushing alongside the template applying lateral pressure.

Shaping or Molding Applications (see figure I)

For shaping or molding applications without the use of a parallel guide, the router bit must be equipped with a pilot or a ball bearing.

- Guide the switched on power tool from the side toward the workpiece until the pilot or the ball bearing of the router bit faces against the workpiece edge to be machined.
- Guide the machine alongside the workpiece edge. Ensure rectangular support. Excessive pressure can damage the edge of the workpiece.

Routing with Parallel Guide (see figure K)

For edge-parallel cuts, mount the parallel guide **17**.

- Fasten the parallel guide **17** to the routing base **2** with wing bolt **18**.
- Adjust the desired depth setting with wing bolt **19** on the parallel guide.
- Guide the switched on power tool with uniform feed and lateral pressure on the parallel guide alongside the workpiece edge.

Routing with Roller Guide (see figure L)

The roller guide **20** is used for routing edges with router bits without pilot or ball bearing.

- Fasten the roller guide **2** to the routing base with wing bolt **18**.
- Guide the machine with uniform feed alongside the workpiece edge.

Lateral Clearance: In order to change the amount of material removal, the lateral clearance between workpiece and the guide roller **21** of the roller guide **20** can be adjusted.

- Loosen wing bolt **22**, adjust the desired lateral clearance by turning wing bolt **23** and tighten wing bolt **22** again.

Height: Adjust the vertical alignment of the roller guide depending on the router bit in use and the thickness of the material to be worked.

- Loosen wing bolt **18** on the roller guide, move the roller guide to the desired position and tighten the wing bolt again.

Readjusting the Clamping Lever (see figure M)

When the motor unit **1** is no longer tightly seated in the routing base, the tensioning force of the clamping lever **10** must be readjusted.

- Open the clamping lever.
- Turn nut **24** approx. 45° in clockwise direction with an open-end spanner (size 8 mm).
- Tighten the clamping lever again.
- Check if the motor unit is clamped securely. Do not over-tighten the nut.

Maintenance and Service

Maintenance and Cleaning

- ▶ **Before any work on the machine itself, pull the mains plug.**
- ▶ **For safe and proper working, always keep the machine and ventilation slots clean.**

If the replacement of the supply cord is necessary, this has to be done by Bosch or an authorized Bosch service agent in order to avoid a safety hazard.

If the machine should fail despite the care taken in manufacturing and testing procedures, repair should be carried out by an after-sales service centre for Bosch power tools.

In all correspondence and spare parts order, please always include the 10-digit article number given on the type plate of the machine.

After-sales Service and Customer Assistance

Our after-sales service responds to your questions concerning maintenance and repair of your product as well as spare parts. Exploded views and information on spare parts can also be found under:

www.bosch-pt.com

Our customer consultants answer your questions concerning best buy, application and adjustment of products and accessories.

People's Republic of China

Website: www.bosch-pt.com.cn

China Mainland

Bosch Power Tools (China) Co., Ltd.
567, Bin Kang Road
Bin Jiang District 310052
Hangzhou, P. R. China
Service Hotline: 800 8 20 84 84
Tel.: +86 (571) 87 77 43 38
Fax: +86 (571) 87 77 45 02

HK and Macau Special Administrative Regions

Robert Bosch Hong Kong Co. Ltd.
21st Floor, 625 King's Road
North Point, Hong Kong
Customer Service Hotline: +852 (21) 02 02 35
Fax: +852 (25) 90 97 62
E-Mail: info@hk.bosch.com
www.bosch-pt.com.cn

Indonesia

PT. Multi Tehaka
Kawasan Industri Pulogadung
Jalan Rawa Gelam III No. 2
Jakarta 13930
Indonesia
Tel.: +62 (21) 4 60 12 28
Fax: +62 (21) 46 82 68 23
E-Mail: sales@multitehaka.co.id
www.multitehaka.co.id

Philippines

Robert Bosch, Inc.
 Zuellig Building
 Sen. Gil Puyat Avenue
 Makati City 1200, Metro Manila
 Philippines
 Tel.: +63 (2) 8 17 32 31
 www.bosch.com.ph

Malaysia

Robert Bosch (SEA.) Pte. Ltd.
 No. 8a, Jalan 13/6
 46200 Petaling Jaya,
 Selangor,
 Malaysia
 Tel.: +6 (03) 7966 3000
 Fax: +6 (03) 7958 3838
 E-Mail: hengsiang.yu@my.bosch.com
 Toll Free Tel.: 1 800 880 188
 Fax: +6 (03) 7958 3838
 www.bosch.com.sg

Thailand

Robert Bosch Ltd.
 Liberty Square Building
 No. 287, 11 Floor
 Silom Road, Bangrak
 Bangkok 10500
 Tel.: +66 (2) 6 31 18 79 – 18 88 (10 lines)
 Fax: +66 (2) 2 38 47 83
 Robert Bosch Ltd., P. O. Box 2054
 Bangkok 10501, Thailand
 Bosch Service – Training Centre
 2869-2869/1 Soi Ban Kluay
 Rama IV Road (near old Paknam Railway)
 Prakanong District
 10110 Bangkok
 Thailand
 Tel.: +66 (2) 6 71 78 00 – 4
 Fax: +66 (2) 2 49 42 96
 Fax: +66 (2) 2 49 52 99

Singapore

Robert Bosch (SEA.) Pte. Ltd.
 38 C Jalan Pemimpin
 Singapore 915701
 Republic of Singapore
 Tel.: +65 (3) 50 54 94
 Fax: +65 (3) 50 53 27
 www.bosch.com.sg

Vietnam

Robert Bosch (SEA) Pte. Ltd – Vietnam
 Representative Office
 Saigon Trade Center, Suite 1206
 37 Ton Duc Thang Street,
 Ben Nghe Ward, District 1
 HCMC
 Vietnam
 Tel.: +84 (8) 9111 374 – 9111 375
 Fax: +84 (8) 9111376

Australia, New Zealand and Pacific Islands

Robert Bosch Australia Pty. Ltd.
 Power Tools
 Locked Bag 66
 Clayton South VIC 3169
 Customer Contact Center
 Inside Australia:
 Phone: +61 (01300) 307 044
 Fax: + 61 (01300) 307 045
 Inside New Zealand:
 Phone: +64 (0800) 543 353
 Fax: +64 (0800) 428 570
 Outside AU and NZ:
 Phone: +61 (03) 9541 5555
 www.bosch.com.au

Disposal

The machine, accessories and packaging should be sorted for environmental-friendly recycling.

Subject to change without notice.

安全规章

电动工具通用安全警告

警告 阅读所有警告和所有说明！不遵照以下警告和说明会导致电击、着火和/或严重伤害。

保存所有警告和说明书以备查阅。

在所有下列的警告中术语“电动工具”指市电驱动（有线）电动工具或电池驱动（无线）电动工具。

1) 工作场地的安全

- a) 保持工作场地清洁和明亮。混乱和黑暗的场地会引发事故。
- b) 不要在易爆环境，如有易燃液体、气体或粉尘的环境下操作电动工具。电动工具产生的火花会点燃粉尘或气体。
- c) 让儿童和旁观者离开后操作电动工具。注意力不集中会使你失去对工具的控制。

2) 电气安全

- a) 电动工具插头必须与插座相配。绝不能以任何方式改装插头。需接地的电动工具不能使用任何转换插头。未经改装的插头和相配的插座将减少电击危险。
- b) 避免人体接触接地表面，如管道、散热片和冰箱。如果你身体接地会增加电击危险。
- c) 不得将电动工具暴露在雨中或潮湿环境中。水进入电动工具将增加电击危险。
- d) 不得滥用电线。绝不用电线搬运、拉动电动工具或拔出其插头。使电线远离热源、油、锐边或运动部件。受损或缠绕的软线会增加电击危险。
- e) 当在户外使用电动工具时，使用适合户外使用的外接软线。适合户外使用的软线将减少电击危险。
- f) 如果在潮湿环境下操作电动工具是不可避免的，应使用剩余电流动作保护器（RCD）。使用RCD可减小电击危险。

3) 人身安全

- a) 保持警觉，当操作电动工具时关注所从事的操作并保持清醒。当你感到疲倦，或在有药物、酒精或治疗反应时，不要操作电动工具。在操作电动工具时瞬间的疏忽会导致严重人身伤害。
- b) 使用个人防护装置。始终佩戴护目镜。安全装置，诸如适当条件下使用防尘面具、防滑安全鞋、安全帽、听力防护等装置能减少人身伤害。
- c) 防止意外起动。确保开关在连接电源和/或电池盒、拿起或搬运工具时处于关断位置。手指放在已接通电源的开关上或开关处于接通时插入插头可能会导致危险。
- d) 在电动工具接通之前，拿掉所有调节钥匙或扳手。遗留在电动工具旋转零件上的扳手或钥匙会导致人身伤害。
- e) 手不要伸展得太长。时刻注意立足点和身体平衡。这样在意外情况下能很好地控制电动工具。
- f) 着装适当。不要穿宽松衣服或佩戴饰品。让你的衣服、手套和头发远离运动部件。宽松衣服、配饰或长发可能会卷入运动部件中。
- g) 如果提供了与排屑、集尘设备连接用的装置，要确保他们连接完好且使用得当。使用这些装置可减少尘屑引起的危险。

4) 电动工具使用和注意事项

- a) 不要滥用电动工具，根据用途使用适当的电动工具。选用适当设计的电动工具会使你工作更有效、更安全。
- b) 如果开关不能接通或关断工具电源，则不能使用该电动工具。不能用开关来控制的电动工具是危险的且必须进行修理。
- c) 在进行任何调节、更换附件或贮存电动工具之前，必须从电源上拔掉插头和/或使电池盒与工具脱开。这种防护性措施将减少工具意外起动的危险。
- d) 将闲置不用的电动工具贮存在儿童所及范围之外，并且不要让不熟悉电动工具或对这些说明不了解的人操作电动工具。电动工具在未经培训的用户手中是危险的。

- e) 保养电动工具。检查运动件是否调整到位或卡住，检查零件破损情况和影响电动工具运行的其他状况。如有损坏，电动工具应在使用前修理好。许多事故由维护不良的电动工具引发。
- f) 保持切削刀具锋利和清洁。保养良好的有锋利切削刃的刀具不易卡住而且容易控制。
- g) 按照使用说明书，考虑作业条件和进行的作业来使用电动工具、附件和工具的刀头等。将电动工具用于那些与其用途不符的操作可能会导致危险。
- 5) 维修
- a) 将你的电动工具送交专业维修人员，使用同样的备件进行修理。这样将确保所维修的电动工具的安全性。

有关雕刻刀的安全规章

- ▶ 所选用的安装工具的许可转速，不可以低于电动工具的最高转速。机器的转速如果超出安装工具的许可范围，会导致安装工具损毁。
- ▶ 铣刀或其他附件必须和电动工具的工具接头（夹钳）完全吻合。如果安装工具和电动工具的砂轮轴之间有间隙，不仅安装工具无法均匀旋转，转动时甚至会强烈震动，进而造成机器失控。
- ▶ 先开动电动工具后再把工具放置在工件上切割。如果电动工具被夹在工件中，会有反击的危险。
- ▶ 铣削时，铣刀不可以接触金属、钉子或螺丝。如此会损坏铣刀，而且会造成强烈震动。
- ▶ 如果工作时可能割断隐藏着的电线或机器本身的电源线，那么一定要握紧绝缘手柄操作机器。电动工具如果接触了带电的线路，机器上的金属部件会导电，并可能造成操作者触电。
- ▶ 使用合适的侦测器，以便找出隐藏着的电源线的位罝。或者向当地的供电单位索取相关资料。钻穿电线会造成火灾并遭受电击。损坏瓦斯管会引起爆炸。如果水管被刺穿了会导致财物损失。
- ▶ 不可以使用已经变钝或损坏的铣刀。变钝和损坏的铣刀不仅磨擦大，而且容易被夹住并且失去平衡。
- ▶ 固定好工件。使用固定装置或老虎钳固定工件，会比用手持握工件更牢固。

- ▶ 等待电动工具完全静止后才能够放下机器。机器上的工具可能在工作中被夹住，而令您无法控制电动工具。
- ▶ 勿使用电线已经损坏的电动工具。如果电源电线在工作中受损，千万不可触摸损坏的电线，并马上拔出插头。损坏的电线会提高使用者触电的危险。

功能解说



阅读所有的警告提示和指示。如未确实遵循警告提示和指示，可能导致电击、火灾并且 / 或其他严重伤害。

翻开标示了机器详解图的折叠页。阅读操作指南时必须翻开折叠页参考。

按照规定使用机器

本电动工具适合在木材、塑胶和轻建材上进行修边、铣槽、雕刻、铣长孔以及仿形雕刻的工作。操作时机器必须紧贴贴在工件表面。

技术数据

电动雕刻刀		GMR 1 Professional
物品代码		3 601 F0A 0..
额定输入功率	瓦	550
无负载转速	次 / 分	33000
工具夹头	毫米	6
	英寸	1/4
重量符合 EPTA-Procedure 01/2003	公斤	1,5
绝缘等级		II/III

本说明书提供的参数是以 230/240 V 为依据，于低电压地区，此数据有可能不同。

请认清电动工具铭牌上的物品代码。电动工具在销售市场上没有统一的商品名称。

插图上的机件

机件的编号和电动工具详解图上的编号一致。

- 1 传动单元
- 2 铣笼
- 3 微调铣深的调整轮
- 4 铣刀*
- 5 带夹钳的外加螺母
- 6 滑板
- 7 底座
- 8 铣深刻度尺
- 9 主轴锁定键
- 10 拧紧杆
- 11 起停开关
- 12 夹钳
- 13 工具接头
- 14 开口扳手 (17 毫米)
- 15 铣笼套
- 16 仿形衬套*
- 17 平行挡块
- 18 固定挡块的蝶翼螺丝
- 19 平行挡块的蝶翼螺丝
- 20 导引辅件*
- 21 滑轮
- 22 固定水平校准单元的蝶翼螺丝
- 23 蝶翼螺丝, 用来水平移动导引辅件
- 24 调整拧紧力的螺母

*图表或说明上提到的附件, 并不包含在基本的供货范围中。本公司的附件清单中有完整的附件供应项目。

安装

更换工具

- ▶ **维修电动工具或更换零、配件之前, 务必从插座上拔出插头。**
- ▶ **安装和更换铣刀时必须戴好防护手套。**

拆卸铣笼 (参考插图 A)

安装铣刀之前, 必须先从传动单元 1 上拆下铣笼 2。

- 打开拧紧杆 10 打开拧紧杆 2, 让铣笼上的 ▲ 记号对齐传动单元 1 上的 ■ 记号。
- 把传动单元向上拉到尽头。
- 朝着逆时针的方向, 把传动单元拧转到尽头, 接着便可以从铣笼中抽出传动单元。

更换夹钳 (参考插图 B)

安装铣刀之前, 必须根据所选择的铣刀, 安装合适的外加螺母 5 和夹钳。

如果已经安装了合适的夹钳, 请按照 "安装铣刀" 上的指示安装铣刀。

外加螺母和夹钳 12 之间必须保留少许空隙。必须能够轻易地拧入外加螺母 5 如果外加螺母或夹钳损坏了, 必须马上更换。

- 按下主轴锁定键 9 并将它按住。必要时得用手转动主轴, 至主轴锁定为止。(参考插图 C1)
- 使用开口扳手 14 朝着逆时针的转向拧转出外加螺母 5。
- 放开主轴锁定键。
- 必要时得在安装之前, 使用软毛刷子或压缩空气清洁所有的安装部件。
- 把新的外加螺母安装在工具接头 13 上。
- 拧转外加螺母, 但勿拧紧。

- ▶ **未装上铣刀之前, 千万不可拧紧外加螺母和夹钳。** 否则可能损坏夹钳。

安装铣刀 (参考插图 C1-C2)

根据各种用途，本公司提供了不同品质和款式的铣刀。

以高效率高速钢 (HSS) 制造的铣刀 适合用来加工软的工件，例如软木和塑料。

配备了硬金属 (HM) 刀刃的铣刀，是特别为硬的和粗的物料而设计，例如硬木和铝。

您可以向您的专业经销商，购买博世附件系列中的各式各样博世原厂铣刀。

只能安装完好而且干净的铣刀。

- 按下主轴锁定键 **9** 并将它按住。必要时得用手转动主轴，至主轴锁定为止。(参考插图 C1)
- 使用开口扳手 **14** 朝着逆时针的方向拧松外加螺母 **5**。(参考插图 C2)
- 把铣刀装入夹钳中。铣刀柄必须至少陷入夹钳中 20 毫米。
- 顺着时钟的转向拧紧外加螺母。
- 放开主轴锁定键。

▶ **未装上铣刀之前，千万不可拧紧外加螺母和夹钳。** 否则可能损坏夹钳。

安装铣笼 (参考插图 D)

进行铣削之前，必须先把铣笼 **2** 再度装回传动单元 **1** 上。

- 如果传动单元上的拧紧杆还锁着，必须先打开拧紧杆 **10**。
- 让传动单元上和铣笼 **2** 上的两个双箭头对齐。
- 把传动单元推入铣笼中，顺着时钟的转向旋转传动单元，让 ▲ 记号和 ■ 记号对齐。
- 继续把传动单元推入铣笼中。
- 安装完后再转动铣笼，让 ▲ 记号和 ■ 记号对齐。
- 收紧拧紧杆。

▶ **安装完毕后务必检查传动单元是否牢牢地装在铣笼中。**

必要时得改变拧紧杆 **10** 的拉紧力 (参考 "调整拧紧杆", 第 21 页)。

安装铣笼套 (参考插图 E)

经过长时间的操作之后，雕刻机的铣笼会变热。为了保护您的手，可以在机器上安装铣笼套 (附件)。

- 拆下拧紧杆 **10**。
- 由铣笼的上方把铣笼套 **15** 装在铣笼 **2** 上。
- 再度固定好拧紧杆。收紧拧紧杆之后，必须确定传动单元 **1** 已经牢牢地固定在铣笼中。

吸锯尘 / 吸锯屑

含铅的颜料以及某些木材、矿物和金属的加工废尘有害健康。机器操作者或者工地附近的人如果接触、吸入这些废尘，可能会有过敏反应或者感染呼吸道疾病。

某些尘埃 (例如加工橡木或山毛榉的废尘) 可能致癌，特别是和处理木材的添加剂 (例如木材的防腐剂等) 结合之后。只有经过专业训练的人才能够加工含石棉的物料。

- 工作场所要保持空气流通。
- 最好佩戴 P2 滤网等级的口罩。

▶ **请留心并遵守贵国和加工物料有关的法规。**

操作**调整铣深 (参考插图 F)**

▶ **关闭电动工具之后才可以调整铣深。**

遵循以下的步骤初步调整铣深：

- 把已经装好铣刀的电动工具放在工件上。
- 如果传动单元上的拧紧杆还锁着，必须先打开拧紧杆 **10**。
- 拧转铣笼 **2** 让 ▲ 记号指着 ■ 记号。慢慢放下传动单元，至铣刀接触工件为止。
- 收紧拧紧杆。
- 读刻度尺 **8** 上的值并记录这个值 (零点平衡)。把需要的铣深加到这个值上。
- 打开拧紧杆，把传动单元调整到计数出来的值上。
- 拧转铣笼让 ▲ 记号指着 ■ 记号，收紧拧紧杆。
- 先实际操作以便检查设定是否正确，必要的话得修改设定。

20 | 中文

遵循以下的步骤微调铣深:

- 打开拧紧杆 **10**, 拧转传动单元让 ▲ 记号指着 记号。
- 使用调整轮 **3** 设定需要的铣深。
- 收紧拧紧杆。

操作机器

- ▶ **注意电源的电压! 电源的电压必须和电动工具铭牌上标示的电压一致。**

开动 / 关闭

开动 电动工具, 把起停开关 **11** 调到 **I** 的位置。

关闭 电动工具, 把起停开关 **11** 调到 **0** 的位置。

有关操作方式的指点

- ▶ **保护铣刀免受冲撞和敲击。**

铣削方向和铣削过程 (参考插图 G)

- ▶ **铣削的方向必需和铣刀 4 的转向相反 (反向运作)。** 如果铣削的方向和铣刀的转向相同 (同向运作), 雕刻机会从操作者的手上滑开。
- ▶ **只能使用已经安装了铣笼 2 的电动工具。** 如果无法控制电动工具会造成意外伤害。
- ▶ **正式开始铣削之前, 必须检查铣笼上的 ▲ 记号是否对准传动单元 1 上的 记号。**

指示: 务必检查铣刀 **4** 是否凸出于底座 **7** 之外。切勿损坏模板或工件。

- 设定好需要的铣深 (参考 "调整铣深", 第 19 页)。
- 开动电动工具, 把电动工具放在即将铣削的位置上。
- 推进机器时必须施力均匀。
- 铣削完毕后要关闭电动工具。
- ▶ **铣刀未完全停止转动时勿放下电动工具。** 如果安装在机器上的工具仍在惯性旋转, 可能造成伤害。

使用仿形衬套铣削 (参考插图 H1-H3)

借助仿形衬套 **16**, 可以在工件上铣削模板上的轮廓。

根据模板的厚度选择合适的仿形衬套。由于仿形衬套凸出在外, 所以模板的厚度至少要有 **8 毫米**。(参考插图 H1)

▶ 铣刀的直径必须小于仿形衬套的内直径。

- 拧出滑板 **6** 上的四个螺丝, 拆下滑板。
- 把仿形衬套 **16** 装入滑板中。(参考插图 H2)
- 把滑板装回底座 **7** 但不要拧紧, 滑板必须能够自由转动。

为了确保铣刀中心点到仿形衬套边缘的距离一致, 必要时得适度调整, 让铣刀位在仿形衬套的中央。

- 移动滑板让铣刀和仿形衬套位在滑板开口的正中央。(参考插图 H3)
- 让滑板保持在调整好的位置, 并拧紧固定螺丝。

使用仿形衬套铣削时可以参考以下的建议:

- 把安装了仿形衬套 **16** 的电动工具靠在模板上。
- 沿这模板推进装了仿形衬套的电动工具。

修边或雕刻 (参考插图 I)

进行修边或雕刻时如果不使用平行挡块, 则必须在铣刀上装配导向榫头或滚珠轴承。

- 把已经开动的电动工具慢慢地移近工件的边缘, 至铣刀上的导向榫头或滚珠轴承接触了工件的边缘为止。
- 接著沿著工件的边缘推动电动工具, 电动工具和工件表面的角度要保持直角, 不可倾斜。推进机器时如果用力过猛可能损坏工件的边缘。

使用平行挡块铣削 (参考插图 K)

沿著工件边缘铣削时可以使用平行挡块 **17**。

- 使用蝶翼螺丝 **18** 把平行挡块 **17** 固定在铣笼 **2** 上。
- 借助平行挡块 **19** 上的蝶翼螺丝设定好挡块的位置。
- 用力均匀地向前推进已经开动的电动工具。必须紧靠着平行挡块, 并沿著工件边缘推动电动工具。

使用导引辅件铣削（参考插图 L）

如果铣刀上没有装配导引榫头或滚珠轴承，则可以使用导引辅件 **20** 铣削工件的边缘。

- 使用蝶翼螺丝 **18** 把导引辅件固定在铣笼 **2** 上。
- 沿著工件边缘施力均匀地推进电动工具。

侧面距离：调整工件和滑轮 **21**（位在导引辅件 **20** 上）之间的距离 可以改变铣削的深浅度。

- 放鬆蝶翼螺丝 **22**，拧转蝶翼螺丝 **23** 来设定需要的侧面距离。调整完毕后再度收紧蝶翼螺丝 **22**。

高度：根据所使用的铣刀和工件的厚度，适当地调整导引辅件的垂直高度。

- 放鬆导引辅件上的蝶翼螺丝 **18**，把导引辅件推到需要的位置上，再度收紧蝶翼螺丝。

调整拧紧杆（参考插图 M）

如果无法把传动单元 **1** 牢牢地固定在铣笼上，那么就必須调整拧紧杆 **10** 的夹紧力。

- 打开拧紧杆。
- 使用开口扳手（8 毫米）把螺母 **24** 顺着时针的转向拧转 **45** 度。
- 再度收紧拧紧杆。
- 检查传动单元是否被夹紧了，螺母不可以拧得太紧。

维修和服务**维修和清洁**

- ▶ **维修电动工具或换装零、配件之前，务必从插座上拔出插头。**
- ▶ **电动工具和通风间隙都必须保持清洁，这样才能够提高工作品质和安全性。**

如果必须更换连接线，务必把这项工作交给博世或者授权的博世电动工具客户服务执行，以避免危害机器的安全性能。

本公司生产的电动工具都经过严密的品质检验，如果机器仍然发生故障，请将机器交给博世电动工具公司授权的客户服务处修理。

询问和订购备件时，务必提供机器铭牌上标示的 **10** 位数字物品代码。

顾客服务处和顾客咨询中心

本公司顾客服务处负责回答有关本公司产品的修理，维护和备件的问题。以下的网页中有爆炸图和备件的资料：

www.bosch-pt.com

博世顾客咨询团队非常乐意为您解答有关购买，使用和设定本公司产品及附件的问题。

有关保证，维修或更换零件事宜，请向合格的经销商查询。

中国大陆

博世电动工具（中国）有限公司

中国 浙江省 杭州市

滨江区滨康路 567 号

邮政编码：310052

免费服务热线：800 820 8484

传真：+86 571 8777 4502

电邮：service.hz@cn.bosch.com

电话：+86 571 8777 4338

传真：+86 571 8777 4502

电邮：service.hz@cn.bosch.com

www.bosch-pt.com.cn

羅伯特·博世有限公司

香港北角英皇道 625 號 21 樓

客戶服務熱線：+852 (21) 02 02 35

傳真：+852 (25) 90 97 62

電郵：info@hk.bosch.com

網站：www.bosch-pt.com.cn

制造商地址：

罗伯博世有限公司

营业范围电动工具

邮箱号码 100156

70745 Leinfelden-Echterdingen（莱菲登 - 艾希德登）

Deutschland（德国）

处理废弃物

必须以符合环保的方式，回收再利用损坏的机器、附件和废弃的包装材料。

保留修改权。

安全規章

電動工具通用安全警告

警告 閱讀所有警告和所有說明。不遵照以下警告和說明會導致電擊、著火和/或嚴重傷害。

保存所有警告和說明書以備查閱。

在所有下列的警告中術語 " 電動工具 " 指市電驅動 (有線) 電動工具或電池驅動 (無線) 電動工具。

1) 工作場地的安全

- a) 保持工作場地清潔和明亮。混亂和黑暗的場地會引發事故。
- b) 不要在易爆環境，如有易燃液體、氣體或粉塵的環境下操作電動工具。電動工具產生的火花會點燃粉塵或氣體。
- c) 讓兒童和旁觀者離開後操作電動工具。注意力不集中會使你失去對工具的控制。

2) 電氣安全

- a) 電動工具插頭必須與插座相配。絕不能以任何方式改裝插頭。需接地的電動工具不能使用任何轉換插頭。未經改裝的插頭和相配的插座將減少電擊危險。
- b) 避免人體接觸接地表面，如管道、散熱片和冰箱。如果你身體接地會增加電擊危險。
- c) 不得將電動工具暴露在雨中或潮濕環境中。水進入電動工具將增加電擊危險。
- d) 不得濫用電線。絕不能用電線搬運、拉動電動工具或拔出其插頭。使電線遠離熱源、油、銳邊或運動部件。受損或纏繞的軟線會增加電擊危險。
- e) 當在戶外使用電動工具時，使用適合戶外使用的外控軟線。適合戶外使用的軟線，將減少電擊危險。
- f) 如果在潮濕環境下操作電動工具是不可避免的，應使用剩餘電流動作保護器 (RCD)。使用 RCD 可減小電擊危險。

3) 人身安全

- a) 保持警覺，當操作電動工具時關注所從事的操作並保持清醒。當你感到疲倦，或在有藥物、酒精或治療反應時，不要操作電動工具。在操作電動工具時瞬間的疏忽會導致嚴重人身傷害。
- b) 使用個人防護裝置。始終佩戴護目鏡。安全裝置，諸如適當條件下使用防塵面具、防滑安全鞋、安全帽、聽力防護等裝置能減少人身傷害。
- c) 防止意外起動。確保開關在連接電源和 / 或電池盒、拿起或搬運工具時處於關斷位置。手指放在已接通電源的開關上或開關處於接通時插入插頭可能會導致危險。
- d) 在電動工具接通之前，拿掉所有調節鑰匙或扳手。遺留在電動工具旋轉零件上的扳手或鑰匙會導致人身傷害。
- e) 手不要伸展得太長。時刻注意立足點和身體平衡。這樣在意外情況下能很好地控制電動工具。
- f) 著裝適當。不要穿寬鬆衣服或佩戴飾品。讓你的衣服、手套和頭髮遠離運動部件。寬鬆衣服、佩飾或長髮可能會捲入運動部件中。
- g) 如果提供了與排屑、集塵設備連接用的裝置，要確保他們連接完好且使用得當。使用這些裝置可減少塵屑引起的危險。

4) 電動工具使用和注意事項

- a) 不要濫用電動工具，根據用途使用適當的電動工具。選用適當設計的電動工具會使你工作更有效、更安全。
- b) 如果開關不能接通或關斷工具電源，則不能使用該電動工具。不能用開關來控制的電動工具是危險的且必須進行修理。
- c) 在進行任何調節、更換附件或貯存電動工具之前，必須從電源上拔掉插頭和 / 或使電池盒與工具脫開。這種防護性措施將減少工具意外起動的危險。
- d) 將閒置不用的電動工具貯存在兒童所及範圍之外，並且不要讓不熟悉電動工具或對這些說明不瞭解的人操作電動工具。電動工具在未經培訓的用戶手中是危險的。

- e) 保養電動工具。檢查運動件是否調整到位或卡住，檢查零件破損情況和影響電動工具運行的其他狀況。如有損壞，電動工具應在使用前修理好。許多事故由維護不良的電動工具引發。
 - f) 保持切削刀具鋒利和清潔。保養良好的有鋒利切削刀的刀具不易卡住而且容易控制。
 - g) 按照使用說明書，考慮作業條件和進行的作業來使用電動工具、附件和工具的刀頭等。將電動工具用於那些與其用途不符的操作可能會導致危險。
- 5) 檢修
- a) 將你的電動工具送交專業維修人員，必須使用同樣的備件進行更換。這樣將確保所維修的電動工具的安全性。

有關雕刻刀的安全規章

- ▶ 所選用的安裝工具的許可轉速，不可以低於電動工具的最高轉速。機器的轉速如果超出安裝工具的許可範圍，會導致安裝工具損毀。
- ▶ 銼刀或其他的附件必須和電動工具的工具夾頭（夾鉗）完全吻合。如果安裝工具和電動工具的砂輪軸之間有餘隙，不僅安裝工具無法均勻旋轉，轉動時甚至會強烈震動，進而造成機器失控。
- ▶ 先開動電動工具後再把工具放置在工件上切割。如果電動工具被夾在工件中，會有反擊的危險。
- ▶ 銼割時，銼刀不可以接觸金屬、釘子或螺絲。如此會損壞銼刀，而且會造成強烈震動。
- ▶ 如果工作時可能割斷隱藏著的電線或機器本身的電源線，那麼一定要握著絕緣手柄操作機器。電動工具如果接觸了帶電的線路，機器上的金屬部件會導電，並可能造成操作者觸電。
- ▶ 使用合適的偵測器，以便找出隱藏著的電源線的位置。或者向當地的供電單位索取相關資料。鑽穿電線會造成火災並遭受電擊。損壞瓦斯管會引起爆炸。如果水管被刺穿了會導致財物損失。
- ▶ 不可以使用已經變鈍或損壞的銼刀。變鈍和損壞的銼刀不僅磨擦大，而且容易被夾住並且失去平衡。
- ▶ 固定好工件。使用固定裝置或老虎鉗固定工件，會比用手持握工件更牢固。

- ▶ 等待電動工具完全靜止後才能夠放下機器。機器上的工具可能在工作中被夾住，而令您無法控制電動工具。
- ▶ 勿使用電線已經損壞的電動工具。如果電源電線在工作中受損，千萬不可觸摸損壞的電線，並馬上拔出插頭。損壞的電線會提高使用者觸電的危險。

功能解說



閱讀所有的警告提示和指示。如未確實遵循警告提示和指示，可能導致電擊、火災並且 / 或其他的嚴重傷害。

翻開標示了機器詳解圖的折疊頁。閱讀操作指南時必須翻開折疊頁參考。

按照規定使用機器

本電動工具適合在木材、塑膠和輕建材上進行修邊、銼槽、雕刻、銼長孔以及仿形雕刻的工作。操作時機器必須緊貼在工件表面。

技術性數據

電動雕刻刀		GMR 1 Professional
物品代碼		3 601 FOA 0..
額定輸入功率	瓦	550
無負載轉速	次 / 分	33000
工具夾頭	毫米	6
	英寸	1/4
重量符合 EPTA- Procedure 01/2003	公斤	1,5
絕緣等級		□/II

本說明書提供的參數是以 230/240 V 為依據，於低電壓地區，此數據有可能不同。

請認清電動工具銘牌上的物品代碼。電動工具在銷售市場上沒有統一的商品名稱。

插圖上的機件

機件的編號和電動工具詳解圖上的編號一致。

- 1 傳動單元
- 2 銑籠
- 3 微調銑深的調整輪
- 4 銑刀*
- 5 帶夾鉗的外加螺母
- 6 滑板
- 7 底座
- 8 銑深刻度尺
- 9 主軸鎖定鍵
- 10 擰緊桿
- 11 起停開關
- 12 夾鉗
- 13 工具接頭
- 14 開口扳手 (17 毫米)
- 15 銑籠套
- 16 仿形襯套*
- 17 平行擋塊
- 18 固定擋塊的蝶翼螺絲
- 19 平行擋塊的蝶翼螺絲
- 20 導引輔件*
- 21 滑輪
- 22 固定水平校準單元的蝶翼螺絲
- 23 蝶翼螺絲，用來水平移動導引輔件
- 24 調整擰緊力的螺母

*圖表或說明上提到的附件，並不包含在基本的供貨範圍中。本公司的附件清單中有完整的附件供應項目。

安裝

更換工具

- ▶ 維修電動工具或換裝零、配件之前，務必從插座上拔出插頭。
- ▶ 安裝和更換銑刀時必須戴好防護手套。

拆卸銑籠 (參考插圖 A)

安裝銑刀之前，必須先從傳動單元 1 上拆下銑籠 2。

- 打開擰緊桿 10 並轉動銑籠 2，讓銑籠上的 ▲ 記號對齊傳動單元 1 上的 ■ 記號。
- 把傳動單元向上拉到盡頭。
- 朝著逆時鐘的方向，把傳動單元擰轉到盡頭，接著便可以從銑籠中抽出傳動單元。

更換夾鉗 (參考插圖 B)

安裝銑刀之前，必須根據所選擇的銑刀，安裝合適的外加螺母 5 和夾鉗。

如果已經安裝了合適的夾鉗，請按照 "安裝銑刀" 上的指示安裝銑刀。

外加螺母和夾鉗 12 之間必須保留少許空隙。必須能夠輕易地擰入外加螺母 5。如果外加螺母或夾鉗損壞了，必須馬上更換。

- 按下主軸鎖定鍵 9 並將其按住。必要時得用手轉動主軸，至主軸鎖定為止。(參考插圖 C1)
- 使用開口扳手 14 朝著逆時鐘的轉向擰轉出外加螺母 5。
- 放開主軸鎖定鍵。
- 必要時得在安裝之前，使用軟毛刷子或壓縮空氣清潔所有的安裝部件。
- 把新的外加螺母安裝在工具接頭 13 上。
- 擰轉外加螺母，但勿擰緊。
- ▶ 未裝上銑刀之前，千萬不可擰緊外加螺母和夾鉗。否則可能損壞夾鉗。

安裝銑刀 (參考插圖 C1-C2)

根據各種用途，本公司提供了不同品質和款式的銑刀。

以高效率高速鋼 (HSS) 制造的銑刀 適合用來加工軟的工件，例如軟木和塑料。

配備了硬金屬 (HM) 刀刃的銑刀，是特別為硬的和粗的物料而設計，例如硬木和鋁。

您可以向您的專業經銷商，購買博世附件系列中的各式各樣博世原廠銑刀。

只能安裝完好而且干淨的銑刀。

- 按下主軸鎖定鍵 **9** 並將它按住。必要時得用手轉動主軸，至主軸鎖定為止。(參考插圖 C1)
- 使用開口扳手 **14** 朝著逆時鐘的方向擰松外加螺母 **5**。(參考插圖 C2)
- 把銑刀裝入夾鉗中。銑刀柄必須至少陷入夾鉗中 20 毫米。
- 順著時鐘的轉向擰緊外加螺母。
- 放開主軸鎖定鍵。
- ▶ **未裝上銑刀之前，千萬不可擰緊外加螺母和夾鉗。**否則可能損壞夾鉗。

安裝銑籠 (參考插圖 D)

進行銑削之前，必須先把銑籠 **2** 再度裝回傳動單元 **1** 上。

- 如果傳動單元上的擰緊桿還鎖著，必須先打開擰緊桿 **10**。
- 讓傳動單元上和銑籠 **2** 上的兩個雙箭頭對齊。
- 把傳動單元推入銑籠中，順著時鐘的轉向旋轉傳動單元，讓 ▲ 記號和 ■ 記號對齊。
- 繼續把傳動單元推入銑籠中。
- 安裝完畢後再轉動銑籠，讓 ▲ 記號和 ■ 記號對齊。
- 收緊擰緊桿。
- ▶ **安裝完畢後務必檢查傳動單元是否牢牢地裝在銑籠中。**

必要時得改變擰緊桿 **10** 的拉緊力 (參考 "調整擰緊桿"，第 27 頁)。

安裝銑籠套 (參考插圖 E)

經過長時間的操作之後，雕刻機的銑籠會變熱。為了保護您的手，可以在機器上安裝銑籠套 (附件)。

- 拆下擰緊桿 **10**。
- 由銑籠的上方把銑籠套 **15** 裝在銑籠 **2** 上。
- 再度固定好擰緊桿。收緊擰緊桿之後，必須確定傳動單元 **1** 已經牢牢地固定在銑籠中。

吸鋸塵 / 吸鋸屑

含鉛的顏料以及某些木材、礦物和金屬的加工廢塵有害健康。機器操作者或者工地附近的人如果接觸、吸入這些廢塵，可能會有過敏反應或者感染呼吸道疾病。某些塵埃 (例如加工橡木或山毛櫸的廢塵) 可能致癌，特別是和處理木材的添加劑 (例如木材的防腐劑等) 結合之後。只有經過專業訓練的人才能夠加工含石棉的物料。

- 工作場所要保持空氣流通。
- 最好佩戴 P2 濾網等級的口罩。

▶ **請留心並遵守貴國和加工物料有關的法規。**

操作**調整銑深 (參考插圖 F)**

▶ **關閉電動工具之後才可以調整銑深。**

遵循以下的步驟初步調整銑深：

- 把已經裝好銑刀的電動工具放在工件上。
- 如果傳動單元上的擰緊桿還鎖著，必須先打開擰緊桿 **10**。
- 擰轉銑籠 **2** 讓 ▲ 記號指著 ■ 記號。慢慢放下傳動單元，至銑刀接觸工件為止。
- 收緊擰緊桿。
- 讀刻度尺 **8** 上的值並記錄這個值 (零點平衡)。把需要的銑深加到這個值上。
- 打開擰緊桿，把傳動單元調整到計數出來的值上。
- 擰轉銑籠讓 ▲ 記號指著 ■ 記號，收緊擰緊桿。
- 先實際操作以便檢查設定是否正確，必要的話得修改設定。

26 | 中文

遵循以下的步驟微調銑深：

- 打開擰緊桿 **10**，擰轉傳動單元讓 ▲ 記號指著 ◻ 記號。
- 使用調整輪 **3** 設定需要的銑深。
- 收緊擰緊桿。

操作機器

- ▶ **注意電源的電壓！電源的電壓必須和電動工具銘牌上標示的電壓一致。**

開動 / 關閉

開動 電動工具，把起停開關 **11** 調到 **I** 的位置。

關閉 電動工具，把起停開關 **11** 調到 **0** 的位置。

有關操作方式的指點

- ▶ **保護銑刀免受沖撞和敲擊。**

銑削方向和銑削過程（參考插圖 G）

- ▶ **銑削的方向必需和銑刀 4 的轉向相反（反向運作）。** 如果銑削的方向和銑刀的轉向相同（同向運作），雕刻機會從操作者的手上滑開。
- ▶ **只能使用已經安裝了銑籠 2 的電動工具。** 如果無法控制電動工具會造成意外傷害。
- ▶ **正式開始銑削之前，必須檢查銑籠上的 ▲ 記號是否對準傳動單元 1 上的 ◻ 記號。**

指示：務必檢查銑刀 4 是否凸出于底座 7 之外。切勿損壞模板或工件。

- 設定好需要的銑深（參考 "調整銑深"，第 25 頁）。
- 開動電動工具，把電動工具放在即將銑削的位置上。
- 推進機器時必須施力均勻。
- 銑削完畢後要關閉電動工具。
- ▶ **銑刀未完全停止轉動時勿放下電動工具。** 如果安裝在機器上的工具仍在慣性旋轉，可能造成傷害。

使用仿形襯套銑削（參考插圖 H1-H3）

借助仿形襯套 **16**，可以在工件上銑削模板上的輪廓。

根據模板的厚度選擇合適的仿形襯套。由於仿形襯套凸出在外，所以模板的厚度至少要有 **8 毫米**。（參考插圖 H1）

- ▶ **銑刀的直徑必須小於仿形襯套的內直徑。**
- 擰出滑板 **6** 上的四個螺絲，拆下滑板。
- 把仿形襯套 **16** 裝入滑板中。（參考插圖 H2）
- 把滑板裝回底座 **7** 但不要擰緊，滑板必須能夠自由轉動。

為了確保銑刀中心點到仿形襯套邊緣的距離一致，必要時得 適度調整，讓銑刀位在仿形襯套的中央。

- 移動滑板讓銑刀和仿形襯套位在滑板開口的正中央。（參考插圖 H3）
- 讓滑板保持在調整好的位置，並擰緊固定螺絲。

使用仿形襯套銑 **16** 銑削時可以參考以下的建議：

- 把安裝了仿形襯套 **16** 的電動工具靠在模板上。
- 沿這模板推進裝了仿形襯套的電動工具。

修邊或雕刻（參考插圖 I）

進行修邊或雕刻時如果不使用平行擋塊，則必須在銑刀上裝配導向桿頭或滾珠軸承。

- 把已經開動的電動工具慢慢地移近工件的邊緣，至銑刀上的導向桿頭或滾珠軸承接觸了工件的邊緣為止。
- 接著沿著工件的邊緣推動電動工具，電動工具和工件表面的角度要保持直角，不可傾斜。推進機器時如果用力過猛可能損壞工件的邊緣。

使用平行擋塊銑削（參考插圖 K）

沿著工件邊緣銑削時可以使用平行擋塊 **17**。

- 使用蝶翼螺絲 **18** 把平行擋塊 **17** 固定在銑籠 **2** 上。
- 借助平行擋塊 **19** 上的蝶翼螺絲設定好擋塊的位置。
- 用力均勻地向前推進已經開動的電動工具。必須緊靠著平行擋塊，並沿著工件邊緣推動電動工具。

使用導引輔件銑削 (參考插圖 L)

如果銑刀上沒有裝配導引樺頭或滾珠軸承，則可以使用導引輔件 **20** 銑削工件的邊緣。

- 使用蝶翼螺絲 **18** 把導引輔件固定在銑籠 **2** 上。
- 沿著工件邊緣施力均勻地推進電動工具。

側面距離：調整工件和滑輪 **21** (位在導引輔件 **20** 上) 之間的距離 可以改變銑削的深淺度。

- 放鬆蝶翼螺絲 **22**，擰轉蝶翼螺絲 **23** 來設定需要的側面距離。調整完畢後再度收緊蝶翼螺絲 **22**。

高度：根據所使用的銑刀和工件的厚度，適當地調整導引輔件的垂直高度。

- 放鬆導引輔件上的蝶翼螺絲 **18**，把導引輔件推到需要的位置上，再度收緊蝶翼螺絲。

調整擰緊桿 (參考插圖 M)

如果無法把傳動單元 **1** 牢牢地固定在銑籠上，那麼就必須調整擰緊桿 **10** 的夾緊力。

- 打開擰緊桿。
- 使用開口扳手 (8 毫米) 把螺母 **24** 順著時針的轉向擰轉 **45** 度。
- 再度收緊擰緊桿。
- 檢查傳動單元是否被夾緊了，螺母不可以擰得太緊。

維修和服務

維修和清潔

- ▶ **維修電動工具或換裝零、配件之前，務必從插座上拔出插頭。**
- ▶ **電動工具和通風間隙都必須保持清潔，這樣才能夠提高工作品質和安全性。**

如果必須更換連接線，務必把這項工作交給博世或者經授權的博世電動工具顧客服務執行，以避免危害機器的安全性能。

本公司生產的電動工具都經過嚴密的品質檢驗，如果機器仍然發生故障，請將機器交給博世電動工具公司授權的顧客服務處修理。

詢問和訂購備件時，務必提供機器銘牌上標示的 **10** 位數物品代碼。

顧客服務處和顧客諮詢中心

本公司顧客服務處負責回答有關本公司產品的修理，維護和備件的問題。以下的網頁中有爆炸圖和備件的資料：
www.bosch-pt.com

博世顧客諮詢團隊非常樂意為您解答有關購買，使用和設定本公司產品及附件的問題。

台灣

德商美最時貿易股份有限公司
台灣分公司
台北市 10454 林森北路 380 號 9 樓
電話：+886 2 2551 3264
傳真：+886 2 2536 3783
客服專線：0800 051 051
原廠維修中心
桃園縣大園鄉中山南路 472 號
傳真：+886 3 386 0534
www.bosch-pt.com.tw

制造商地址：

羅伯博世有限公司
營業範圍電動工具
郵箱號碼 100156
70745 Leinfelden-Echterdingen (萊菲登·艾希德登)
Deutschland (德國)

處理廢棄物

必須以符合環保的方式，回收再利用損壞的機器、附件和廢棄的包裝材料。

保留修改權。

안전 수칙

전동공구용 일반 안전수칙

⚠ 경고 모든 안전수칙과 지시 사항을 상세히 읽고 지켜야 합니다. 다음의 안전수칙과 지시 사항을 준수하지 않으면 화재 위험이 있으며 감전 혹은 중상을 입을 수 있습니다.

앞으로의 참고를 위해 이 안전수칙과 사용 설명서를 잘 보관하십시오.

다음에서 사용되는 "전동공구" 라는 개념은 전원에 연결하여 사용하는 전동 기기 (전선이 있는) 나 배터리를 사용하는 전동 기기 (전선이 없는) 를 의미합니다.

1) 작업장 안전

- 작업장을 항상 깨끗이 하고 조명을 밝게 하십시오. 작업장 환경이 어수선하거나 어두우면 사고를 초래할 수 있습니다.
- 가연성 유체, 가스 또는 분진이 있어 폭발 위험이 있는 환경에서 전동공구를 사용하지 마십시오. 전동공구는 분진이나 증기에 점화하는 불꽃을 일으킬 수 있습니다.
- 전동공구를 사용할 때 구경꾼이나 어린이 혹은 다른 사람이 작업장에 접근하지 못하게 하십시오. 다른 사람이 주의를 산만하게 하면 기기에 대한 통제를 잃기 쉽습니다.

2) 전기에 관한 안전

- 전동공구의 전원 플러그가 전원 콘센트에 잘 맞아야 합니다. 플러그를 조금이라도 변경시켜서는 안됩니다. 접지된 전동공구를 사용할 때 어댑터 플러그를 사용하지 마십시오. 변형되지 않은 플러그와 잘 맞는 콘센트를 사용하면 감전의 위험을 감소할 수 있습니다.
- 파이프 판, 라디에이터, 배인지, 냉장고와 같은 접지 표면에 몸이 닿지 않도록 하십시오. 몸에 닿을 경우 감전될 위험이 높습니다.
- 전동공구를 비에 맞지 않게 하고 습기 있는 곳에 두지 마십시오. 전동공구에 물이 들어가면 감전될 위험이 높습니다.

d) 전원 코드를 잡고 전동공구를 운반하거나 걸어 놓아서는 안되며, 콘센트에서 전원 플러그를 뽑을 때 전원 코드를 잡아 당겨서는 절대로 안됩니다. 전원 코드가 열과 오일에 접촉하는 것을 피하고, 날카로운 모서리나 기기의 가동 부위에 닿지 않도록 주의하십시오. 손상되거나 영긴 전원 코드는 감전을 유발할 수 있습니다.

e) 실외에서 전동공구로 작업할 때는 실외용으로 적당한 연장 전원 코드만을 사용하십시오. 실외용 연장 전원 코드를 사용하면 감전의 위험을 줄일 수 있습니다.

f) 전동공구를 습기 찬 곳에서 사용해야 할 경우에는 누전 차단기를 사용하십시오. 누전 차단기를 사용하면 감전 위험을 줄일 수 있습니다.

3) 사용자 안전

- 신중하게 작업하십시오. 작업을 할 때 주의를 하며, 전동공구를 사용할 때 경솔하게 행동하지 마십시오. 피로한 상태이거나 약물 복용 및 음주한 후에는 전동공구를 사용하지 마십시오. 전동공구를 사용할 때 잠시라도 주의를 산만해지면 중상을 입을 수 있습니다.
- 작업자 안전을 위한 장치를 사용하십시오. 항상 보안경을 착용하십시오. 전동공구의 종류와 사용에 따라 먼저 보호 마스크, 미끄러지지 않는 안전한 신발, 안전모 또는 귀마개 등의 안전한 복장을 하던 상태의 위험을 줄일 수 있습니다.
- 실수로 기기가 작동되지 않도록 주의하십시오. 전동공구를 전원에 연결하거나 배터리를 끼우기 전에, 혹은 기기를 돌거나 운반하기 전에, 전원 스위치가 꺼져 있는지 다시 확인하십시오. 전동공구를 운반할 때 전원 스위치에 손가락을 대거나 전원 스위치가 켜진 상태에서 전원을 연결하면 사고 위험이 높습니다.
- 전동공구를 사용하기 전에 조절하는 물이나 나사 키 등을 때 놓으십시오. 회전하는 부위에 있는 물이나 나사 키로 인해 상처를 입을 수 있습니다.
- 자신을 과신하지 마십시오. 불안정한 자세를 피하고 항상 평형을 이룰 상태로 작업하십시오. 안정된 자세와 평행한 상태로 작업해야만이 의외의 상황에서 전동공구를 안전하게 사용할 수 있습니다.
- 달맞은 작업복을 입으십시오. 헐렁한 복장을 하거나 장식품을 착용하지 마십시오. 머리나 옷 또는 장갑이 가동하는 기기 부위에 가짜이 닿지 않도록 주의하십시오. 헐렁한 복장, 장식품 혹은 긴 머리는 가동 부위에 말려 사고를 초래할 수 있습니다.

g) 봉진 추출장치나 수거장치의 조립이 가능한 경우, 이 장치가 연결되어 있는지, 제대로 작동이 되는지 확인하십시오. 이러한 봉진 추출장치를 사용하면 봉진으로 인한 사고 위험을 줄일 수 있습니다.

4) 전동공구의 올바른 사용과 취급

a) 기기를 과부하 상태에서 사용하지 마십시오. 작업을 하는 때 이에 적당한 전동공구를 사용하십시오. 알맞은 전동공구를 사용하면 지정된 성능 한도 내에서 더 효율적으로 안전하게 작업할 수 있습니다.

b) 전원 스위치가 고장 난 전동공구를 사용하지 마십시오. 전원 스위치가 작동되지 않는 전동공구는 위험하므로, 반드시 수리를 해야 합니다.

c) 기기에 새끼를 하거나 액세서리 부품을 교환하거나 혹은 기기를 보관할 때, 항상 전원 콘센트에서 플러그를 미리 빼어 놓으십시오. 이러한 조치는 실수로 전동공구가 작동하게 되는 것을 예방합니다.

d) 사용하지 않는 전동공구는 어린이 손이 닿지 않는 곳에 보관하고, 전동공구 사용에 익숙지 않거나 이 사용 설명서를 읽지 않은 사람은 기기를 사용해서는 안 됩니다. 경험이 없는 사람이 전동공구를 사용하면 위험합니다.

e) 전동공구를 조심스럽게 관리하십시오. 작동 부위가 하자 없이 정상적인 기능을 하는지, 걸리는 부위가 있는지, 혹은 전동공구의 기능에 중요한 부품이 손상되지 않았는지 확인하십시오. 손상된 기기의 부품은 전동공구를 다시 사용하기 전에 반드시 수리를 맡기십시오. 제대로 관리하지 않은 전동공구의 경우 많은 사고를 유발합니다.

f) 절단 공구를 날카롭고 깨끗하게 관리하십시오. 날카로운 절단면이 있고 잘 관리된 절단공구는 걸리는 경우가 드물고 조절하기도 쉽습니다.

g) 전동공구, 액세서리, 장착하는 공구 등을 사용할 때, 이 지시 사항과 특별히 기종별로 나와있는 사용 방법을 준수하십시오. 이때 작업 조건과 실시하려는 작업 내용을 고려하십시오. 원래 사용 분야가 아닌 다른 작업에 전동공구를 사용할 경우 위험한 상황을 초래할 수 있습니다.

5) 서비스

a) 전동공구 수리는 반드시 전문 인력에게 맡기고, 수리 정비 시 보충 승정 부품만을 사용하십시오. 그렇게 함으로써 기기의 안전성을 오래 유지할 수 있습니다.

트리머용 안전수칙

▶ 삽입 비트의 허용 RPM 은 전동공구에 나와 있는 최대 속도 이상이어야 합니다. 허용된 수치보다 더 빨리 회전하는 비트는 손상될 수 있습니다.

▶ 루터 비트나 기타 액세서리는 귀하의 전동공구 비트 홀더 (플랫) 에 정확히 맞은 것이어야 합니다. 전동공구의 비트 홀더에 정확히 맞지 않는 삽입 비트는 불균형하게 회전하며 진동이 심해서 기기에 대한 통제가 어려워질 수 있습니다.

▶ 전동공구를 려 상태에서 작업물에 서서히 접근하십시오. 그렇지 않으면 비트가 작업물에 걸리면서 반동이 생길 위험이 있습니다.

▶ 금속물체, 못과 나사에 절단작업을 하지 마십시오. 루터 비트가 손상될 수 있으며 심하게 진동할 수 있습니다.

▶ 작업할 때 비트가 보이지 않는 전선이나 기기 자체의 코드에 닿을 위험이 있으면 전동공구의 절연된 손잡이 면만을 잡으십시오. 전류가 흐르는 전선에 접하게 되면 기기의 금속 부위에 전기가 통해 감전될 위험이 있습니다.

▶ 보이지 않는 부위에 에너지 배선 및 배관여부를 확인하려면 적당한 탐지기를 사용하거나 탐강 에너지 공금회사에 문의하십시오. 전선에 접촉하게 되면 화재나 전기 충격을 유발할 수 있습니다. 가스관을 손상시키면 폭발 위험이 있으며 수도관을 파손하게 되면 재산 피해를 야기할 수 있습니다.

▶ 날카롭고 아무런 하자가 없는 루터 비트만을 사용하십시오. 무디거나 손상된 루터 비트는 심한 마찰로 인해 걸리거나 반동을 유발할 수 있습니다.

▶ 작업물을 잘 고정하십시오. 고정장치나 기계 바이스에 끼워서 작업하면 손으로 잡는 것보다 더 안전합니다.

▶ 전동공구를 내려놓기 전에 기기가 완전히 멈추었는지를 확인하십시오. 날이 걸리거나 전동공구에 대한 통제가 어려워질 수 있습니다.

▶ 절대로 전원 코드가 손상된 전동공구를 사용하지 마십시오. 작업하다가 전원 코드가 손상된 경우 손상된 코드를 만지지 말고 바로 소켓을 빼십시오. 손상된 전원 코드는 감전을 일으킬 위험이 높습니다.

30 | 한국어

기능 설명



모든 안전수칙과 지시 사항을 상세히 읽고 지켜야 합니다. 다음의 안전수칙과 지시 사항을 준수하지 않으면 화재 위험이 있으며 감전 혹은 중상을 입을 수 있습니다.

사용 설명서를 읽는 동안 기기의 그림이 나와 있는 접힌 면을 펴 놓고 참고하십시오.

규정에 따른 사용

본 전동공구는 단단한 바닥 위에서 목재 플라스틱 그리고 연질의 건축 소재에 홈이나 모서리 윤곽 혹은 길쭉한 구멍을 정리고 윤곽을 그려주는 작업을 하는 데 사용해야 합니다.

제품 사양

트림머	GMR 1 Professional	
제품 번호		3 601 FOA 0..
소비 전력	W	550
무부하 속도	rpm	33000
툴 홀더	mm	6
EPTA 공정 01/2003 에 따른 중량	kg	1.5
안전 등급		□/II

자료는 정격 전압 [U] 230/240 V 를 기준으로 한 것입니다. 전압이 낮거나 각국의 특수한 모델에 따라 달라질 수 있습니다.

전동공구의 명판에 표시된 제품 번호를 확인하십시오. 각 전동공구의 명칭이 시중에서 상이하게 사용될 수 있습니다.

제품의 주요 명칭

제품의 주요 명칭에 표기된 번호는 도면에 나와있는 전동공구의 그림을 참조하십시오.

- 1 모터 부분
- 2 루팅 베이스
- 3 절단 깊이 미세 조절용 다이얼
- 4 루터 비트*
- 5 풀타이 있는 고정 너트
- 6 가이드 환
- 7 밀판
- 8 절단 깊이 조절용 눈금자
- 9 스펀들 잠금 버튼
- 10 고정 레버
- 11 전원 스위치
- 12 풀릿
- 13 툴 홀더
- 14 양구 스페너 (17 mm)
- 15 루팅 베이스 커버 슬리브
- 16 가이드 부상*
- 17 평행 조절자
- 18 측면 고정용 날개 나사
- 19 평행 조절자용 날개 나사
- 20 롤러 가이드*
- 21 블러
- 22 수평 조절용 날개 나사
- 23 롤러 가이드 수평 조절용 날개 나사
- 24 장력 조절 너트

*도면이나 설명서에 나와있는 액세서리는 표준 공급부품에 속하지 않습니다. 전체 액세서리는 저희 액세서리 프로그램을 참고하십시오.


조립

비트의 교환

- ▶ **전동공구용 보수 정비하기 전에 반드시 콘센트에서 전원 플러그를 빼십시오.**
- ▶ **루터 비트를 끼우거나 교환할 때 보호장갑을 착용하는 것이 좋습니다.**

루팅 베이스 분해하기 (그림 A 참조)

루터 비트를 장착하기 전에 먼저 루팅 베이스 **2** 를 모터 부분 **1** 에서 분리해야 합니다.

- 고정 레버 **10** 을 열고 루팅 베이스 **2** 의 ▲ 표시가 모터 부분 **1** 의  쪽으로 향하게 돌립니다.
- 모터 부분을 끝까지 위쪽으로 당깁니다.
- 모터 부분을 시계 반대 방향으로 끝까지 돌린 다음, 루팅 베이스에서 위로 빼냅니다.

콜릿 교환하기 (그림 B 참조)

사용하는 루터 비트에 따라 루터 비트를 끼우기 전에 먼저 콜릿이 있는 고정 너트 **5** 를 교환해야 합니다.

루터 비트에 적당한 콜릿이 이미 들어 있으면, "루터 비트 끼우기" 부분에 나와 있는대로 계속하십시오.

콜릿 **12** 는 고정 너트에 약간 느슨하게 들어 있어야 합니다. 고정 너트 **5** 는 쉽게 조립이 가능해야 합니다. 고정 너트나 콜릿이 손상된 경우 즉시 교환해 주십시오.

- 스핀들 잠금 버튼 **9** 를 누르고 그 상태를 유지하십시오. 경우에 따라 잠금 상태가 될 때까지 전동 스핀들을 손으로 돌립니다. (그림 C1 참조)
- 고정 너트 **5** 를 양구 스페너 **14** 로 시계 반대 방향으로 돌려 풀어 줍니다.
- 스핀들 잠금 버튼을 놓습니다.
- 경우에 따라, 다시 조립하기 전에 모든 조립 부품을 부드러운 솔이나 압축 공기를 사용하여 깨끗이 닦아 주십시오.
- 새로운 고정 너트를 비트 홀더 **13** 에 끼웁니다.
- 고정 너트를 느슨하게 조입니다.

- ▶ **절대로 루터 비트가 끼워지지 않은 상태에서 콜릿의 고정 너트를 세게 조이지 마십시오.** 이 경우 콜릿이 손상될 수 있습니다.

루터 비트 끼우기 (그림 C1-C2 참조)

사용하는 분야에 따라 다양한 크기와 품질의 루터 비트가 있습니다.

초고속강(HSS) 루터 비트는 연목이나 플라스틱 등 연질의 소재에 작업할 때 적합합니다.

끝에 카바이드 팁이 붙어 있는(HM) 루터 비트는 특히 경목이나 알루미늄과 같은 경질의 연마 소재에 적합합니다.

보쉬 전문 대리점에서 다양한 보쉬 액세서리 프로그램의 순정 루터 비트를 구매할 수 있습니다.

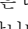

반드시 결함이 없고 깨끗한 루터 비트만을 사용하십시오.

- 스핀들 잠금 버튼 **9** 를 누르고 그 상태를 유지하십시오. 경우에 따라 잠금 상태가 될 때까지 전동 스핀들을 손으로 돌립니다. (그림 C1 참조)
- 고정 너트 **5** 를 양구 스페너 **14** 로 시계 반대 방향으로 돌려 풀어 줍니다. (그림 C2 참조)
- 콜릿 안으로 루터 비트를 밀어 넣습니다. 루터 비트 축의 최소 **20 mm** 가 콜릿 안에 끼워져야 합니다.
- 고정 너트를 시계 방향으로 다시 꼭 조입니다.
- 스핀들 잠금 버튼을 놓습니다.

- ▶ **절대로 루터 비트가 끼워지지 않은 상태에서 콜릿의 고정 너트를 세게 조이지 마십시오.** 이 경우 콜릿이 손상될 수 있습니다.

루팅 베이스 조립하기 (그림 D 참조)

루팅작업을 하려면 루팅 베이스 **2** 를 다시 모터 부분 **1** 에 조립해야 합니다.

- 모터 부분의 고정 레버 **10** 이 잠겨 있다면 열어 주십시오.
- 모터 부분과 루팅 베이스 **2** 의 양쪽 화살표가 서로 일치하도록 맞추십시오.
- 모터 부분을 루팅 베이스 안으로 밀어 넣은 다음, 시계 방향으로 돌려 ▲ 표시가  를 향하게 합니다.
- 모터 부분을 다시 루팅 베이스 안으로 밀어 넣습니다.
- 조립하고 나서 루팅 베이스의 ▲ 표시가 모터 부분의  에 오도록 돌립니다.
- 고정 레버를 잠그십시오.

- ▶ **조립하고 나서, 항상 모터 부분이 루팅 베이스에 제대로 끼워져 있는지 확인하십시오.**

경우에 따라 고정 레버 **10** 의 프리텐션을 변경할 수 있습니다 ("고정 레버 재조절하기" 참조, 33 면).

32 | 한국어

루팅 베이스 커버 슬리브 조립하기 (그림 E 참조)

트리머를 장시간 사용하면 루팅 베이스가 뜨거워집니다. 이 경우 손을 보호하기 위해 루팅 베이스 커버 슬리브 (별매 액세서리)를 조립할 수 있습니다.

- 고정 레버 **10** 을 뺍니다.
- 루팅 베이스 커버 슬리브 **15** 를 위에서 부터 루팅 베이스 **2** 에 끼웁니다.
- 고정 레버를 잠글 때 모터 부분 **1** 이 확실하게 루팅 베이스에 걸리도록 하여 다시 조입니다.

분진 및 톱밥 추출장치

납 성분을 포함한 페인트나 몇몇 나무 종류, 또는 광물 성분 그리고 철과 같은 재료의 분진은 건강을 해칠 수 있습니다. 이 분진을 만지거나 호흡할 경우, 사용자나 주변 사람들은 알레르기 반응이나 호흡기 장애를 일으킬 수 있습니다.

떡갈나무나 너도밤나무와 같은 특정한 분진은 암을 유발시키며, 특히 목재 처리용으로 사용되는 부가 원료 (크로마트, 목재 보호제)와 혼합되면 암을 유발시키게 됩니다. 석면 성분을 포함한 재료는 오직 전문가가 작업을 해야 합니다.

- 작업장의 통풍이 잘 되도록 하십시오.
- 필터등급 P2 가 장착된 호흡 마스크를 사용하십시오.

▶ **작업용 재료에 관해 국가가 지정한 규정을 고려 하십시오.**

작동

절단 깊이 조절하기 (그림 F 참조)

▶ **절단 깊이의 조절은 전동공구의 스위치가 꺼진 상태에서에서만 해야 합니다.**

절단 깊이를 대략 조절하려면 다음과 같이 하십시오:

- 루터 비트를 끼운 전동공구를 작업물에 올려 놓습니다.
- 모터 부분의 고정 레버 **10** 이 잠겨 있다면 열어 주십시오.
- 루팅 베이스 **2** 의 ▲ 표시가 ☑ 쪽으로 향하게 됩니다. 그리고 루터 비트가 작업물에 닿을 때까지 모터 부분을 천천히 아래로 움직입니다.
- 고정 레버를 잠그십시오.

- 눈금자 **8** 에 나와 있는 수치를 읽고 기록해 두십시오(제로 균형). 이 수치에 원하는 절단 깊이를 더하십시오.
- 고정 레버를 열고 모터 부분을 계산한 눈금 수치에 맞춥니다.
- 루팅 베이스의 ▲ 표시가 ☑ 쪽으로 향하게 돌리고 고정 레버를 다시 잠급니다.
- 절단 깊이의 설정 상태가 적당한지 실제 시험을 통해 확인해 보고 경우에 따라 조정하십시오.

절단 깊이를 미세하게 조절하는 방법은 다음과 같습니다:

- 고정 레버 **10** 이 열린 상태에서 ▲ 표시가 모터 부위의 ☑ 쪽에 맞춥니다.
- 다이얼 **3** 으로 원하는 절단 깊이를 맞춥니다.
- 고정 레버를 잠그십시오.

기계 시동

▶ **공공 배전 전압에 주의! 공급되는 전압은 전동공구의 명판에 표기된 전압과 동일해야 합니다.**

전원 스위치 작동

전동공구를 **시동**하려면 전원 스위치 **11** 을 **1** 에 맞춥니다.

전동공구의 **작동**을 중지하려면 전원 스위치 **11** 을 **0** 에 맞춥니다.

사용방법

▶ **루터 비트가 충격이나 타격을 받지 않도록 주의 하십시오.**

절단 방향과 루팅 과정 (그림 G 참조)

▶ **루팅 과정은 항상 루터 비트 4 의 회전 방향과 반대로 이루어져야 합니다 (역회전).** 루터 비트의 회전 방향과 같은 방향으로 절단작업을 하면 (정회전), 전동공구가 작업자의 손에서 빠져 나갈 수 있습니다.

▶ **항상 루팅 베이스 2 를 조립한 상태로 전동공구를 사용하십시오.** 전동공구의 통제가 불가능해지면 상해를 입을 수 있습니다.

▶ **절단작업을 시작하기 전에, 루팅 베이스의 ▲ 표시가 모터 부분 1 의 ☑ 쪽에 있는지 확인 하십시오.**

주의: 루터 비트 **4** 가 항상 밀핀 **7** 밖으로 나와 있다는 것을 고려하십시오. 형판이나 작업물이 손상되지 않도록 하십시오.

- 원하는 절단 깊이를 설정하십시오 ("절단 깊이 조절하기" 참조, 32 면).

- 전동공구의 스위치를 켜 상태에서 작업하려는 곳으로 가까이 접근하십시오.
- 일정한 속도로 밀면서 루팅작업을 하십시오.
- 절단작업을 마치고 나서 전동공구의 스위치를 끄십시오.

▶ **루터 비트가 완전히 정지한 다음에 전동공구를 내려 놓으십시오.** 잔여 회전을 하는 비트로 인해 상해를 입을 수 있습니다.

가이드 부싱을 사용한 루팅작업 (그림 H1-H3 참조)

가이드 부싱 16 을 사용하면 작업물에 본이나 형판의 형태를 옮길 수 있습니다.

형판과 본의 두께에 따라 적당한 가이드 부싱을 선택하십시오. 밖으로 나와 있는 가이드 부싱의 높이 때문에 형판의 두께는 최소 8 mm 이상이어야 합니다. (그림 H1 참조)

▶ **루터 비트의 직경이 가이드 부싱의 내부 직경보다 작은 것을 선택하십시오.**

- 가이드 판 6 아래 있는 네 개의 뱀비머리 나사를 풀고 가이드 판을 뺍니다.
- 가이드 부싱 16 을 가이드 판에 끼웁니다. (그림 H2 참조)
- 가이드 판을 다시 밀판 7에 느슨하게 나사를 조입니다. 가이드 판은 자유로이 움직일 수 있어야 합니다.

루터 비트 중심과 가이드 부싱 가장자리 사이의 간격을 일정하게 유지하려면, 경우에 따라 가이드 부싱과 가이드 판의 중심을 맞추어야 합니다.

- 루터 비트와 가이드 부싱이 가이드 판의 구멍 중심에 있도록 가이드 판을 조절하십시오. (그림 H3 참조)
- 이 위치에서 가이드 판을 잡고 고정 나사를 세게 조입니다.

가이드 부싱 16 을 사용하여 루팅작업을 하려면 다음과 같이 하십시오:

- 가이드 부싱 16 을 끼운 전동공구를 형판에 땁니다.
- 밖으로 나온 가이드 부싱이 있는 전동공구를 옆으로 누르면서 형판을 따라 움직입니다.

외형 또는 주조작업 (그림 I 참조)

평행 조절자가 없이 외형 또는 주조작업을 할 때는 루터 비트에 파일럿 베어링이나 볼 베어링이 있어야 합니다.

- 전동공구의 스위치를 켜 상태에서, 루터 비트의 파일럿 베어링이나 볼 베어링이 작업물 모서리에 닿을 때까지 전동공구를 옆에서 부터 작업을 가까이 접근합니다.
- 전동공구를 작업물 모서리를 따라 움직이면서 직각으로 각도가 유지되도록 주의하십시오. 지나치게 누르면 작업물 모서리가 손상될 수 있습니다.

평행 조절자를 사용한 루팅작업 (그림 K 참조)

모서리와 평행하게 절단작업을 하려면 평행 조절자 17 을 조립할 수 있습니다.

- 평행 조절자 17 을 날개 나사 18 로 루팅 베이스 2 에 고정 하십시오.
- 평행 조절자에 있는 날개 나사 19 로 깊이로 조절하십시오.
- 전동공구의 스위치를 켜 상태에서 작업을 모서리를 따라 일정한 속도로 평행 조절자에 측면 압력을 가하면서 움직입니다.

롤러 가이드를 사용한 루팅작업 (그림 L 참조)

롤러 가이드 20 은 파일럿 베어링 혹은 볼 베어링이 없는 루터 비트로 모서리에 루팅작업을 할 때 사용할 수 있습니다.

- 루팅 베이스 2 에 있는 롤러 가이드를 날개 나사 18 을 사용하여 고정하십시오.
- 일정한 피드로 작업을 모서리를 따라 전동공구를 움직여 작업하십시오.

측면 간격: 짙어 나가는 소재의 양을 바꾸려면, 작업물과 롤러 가이드 20 의 롤러 21 사이의 간격을 조절해야 합니다.

- 날개 나사 22를 풀고, 날개 나사 23을 돌리면서 원하는 측면 간격을 맞춥니다. 그리고 나서 날개 나사 22 를 다시 조입니다.

높이: 사용 중인 루터 비트와 작업하려는 작업물의 두께에 따라 롤러 가이드의 수직 방향을 맞추십시오.

- 롤러 가이드에 있는 날개 나사 18 을 풀고, 롤러 가이드를 원하는 위치로 밀고 나서 날개 나사를 다시 조입니다.

고정 레버 제조절하기 (그림 M 참조)

모터 부분 1 이 제대로 루터 베이스에 끼워져 있지 않으면 고정 레버 10 의 장력을 제조절해야 합니다.

- 고정 레버를 엽니다.
- 양구 스페너 (8 mm) 를 사용하여 너트 24 를 약 45° 정도 시계 방향으로 돌리십시오.
- 고정 레버를 다시 잠급니다.
- 모터 부분이 제대로 고정되어 있는지 확인해 보십시오. 너트를 지나치게 세게 조이지 마십시오.

34 | 한국어

보수 정비 및 서비스

보수 정비 및 유지

- ▶ 전동공구를 보수 정비하기 전에 반드시 콘센트에서 전원 플러그를 빼십시오.
- ▶ 안전하고 올바른 작동을 위하여 전동공구와 전동공구의 환기구를 항상 깨끗이 하십시오.

연결 코드를 교환해야 할 경우 안전을 기하기 위해 보쉬사나 보쉬 지정 전동공구 서비스 센터에 맡겨야 합니다.

세심한 제작과 검사에도 불구하고 전동공구가 불량한 경우가 있다면 보쉬 고객 지원본부나 가까운 보쉬 지정 전동공구 서비스 센터에 수리를 의뢰하십시오.

문의 사항이 있거나 스페어 부품을 주문할 때 반드시 전동공구의 타입 표시판에 적힌 10 자리의 제품 번호를 알려 주십시오.

AS 센터 및 고객 상담

AS 센터에서는 귀하 제품의 수리 및 보수정비, 그리고 부품에 관한 문의를 받고 있습니다. 제품의 분해도 및 부품에 관한 정보는 다음의 주소에서도 보실 수 있습니다:

www.bosch-pt.com

보쉬 AS 센터 팀은 제품과 액세서리의 구매, 사용법 및 설정에 관해 상담해 드립니다.

한국로버트보쉬기전주식회사

Robert Bosch Korea Mechanics and Electronics Ltd.

전동공구 사업부

경기도 용인시 기흥구 보정동 298 번지
전화 : +82 31 270 - 4143/4148/4620
팩스 : +82 31 270 - 4144

고객지원본부

전화 : +82 31 270 - 4680/4681/4682
팩스 : +82 31 270 - 4686
E-Mail: Bosch-pt.hotline@kr.bosch.com
Internet: www.bosch.co.kr

처리

기기와 액세서리 및 포장 등은 환경 친화적인 방법으로 재생활 수 있도록 분류하십시오.

위 사항은 사전 예고 없이 변경될 수도 있습니다.

กฎระเบียบเพื่อความปลอดภัย

คำเตือนทั่วไปเพื่อความปลอดภัย

ในการใช้เครื่องมือไฟฟ้า

คำเตือน ต้องอ่านคำเตือนเพื่อความปลอดภัยและคำสั่งทั้งหมด การไม่ปฏิบัติตามคำเตือนและคำสั่งอาจเป็นสาเหตุให้ถูกไฟฟ้าดูด เกิดไฟไหม้ และ/หรือได้รับบาดเจ็บอย่างร้ายแรง

เก็บรักษาคำเตือนและคำสั่งทั้งหมดสำหรับเปิดอ่านในภายหลัง

คำว่า "เครื่องมือไฟฟ้า" ในคำเตือนหมายถึง เครื่องมือไฟฟ้าของท่านที่ทำงานด้วยพลังงานไฟฟ้าที่ต่อจากเต้าเสียบ (มีสายไฟฟ้า) และเครื่องมือไฟฟ้าที่ทำงานด้วยพลังงานไฟฟ้าจากแบตเตอรี่ (ไร้สาย)

1) ความปลอดภัยในสถานที่ทำงาน

- ก) รักษาสถานที่ทำงานให้สะอาดและมีไฟส่องสว่างดี สถานที่ที่มีมืดหรือทึบรังสีนำมาซึ่งอุบัติเหตุ
- ข) อย่าใช้เครื่องมือไฟฟ้าในสภาพแวดล้อมที่เสี่ยงต่อการติดระเบิดได้ เช่น ในที่มีของเหลว แก๊ส หรือฝุ่นที่ติดไฟได้ เมื่อใช้เครื่องมือไฟฟ้าจะเกิดประกายไฟซึ่งอาจจุดฝุ่นหรือไอให้ลุกเป็นไฟได้
- ค) ขณะใช้เครื่องมือไฟฟ้าทำงาน ต้องกันเด็กและผู้ยืนดูให้ออกห่าง การหันเหความสนใจอาจทำให้ท่านขาดการควบคุมเครื่องได้

2) ความปลอดภัยเกี่ยวกับไฟฟ้า

- ก) ปลั๊กของเครื่องมือไฟฟ้าต้องมีขนาดพอดีกับเต้าเสียบ อย่าดัดแปลงหรือแก้ไขตัวปลั๊กอย่างเด็ดขาด อย่าต่อปลั๊กต่อกันได้ เชื่อมกับเครื่องมือไฟฟ้าที่มีสายดิน ปลั๊กที่ไม่ดัดแปลงและเต้าเสียบที่เข้ากันช่วยลดความเสี่ยงจากการถูกไฟฟ้าดูด
- ข) หลีกเลี่ยงไม่ให้ร่างกายสัมผัสกับพื้นผิวของสิ่งของที่ต่อสายดินไว้ เช่น ท่อ เครื่องทำความร้อน เตา และตู้เย็น จะเสี่ยงอันตรายจากการถูกไฟฟ้าดูดมากขึ้นหากกระแสไฟฟ้าวิ่งผ่านร่างกายของท่านลงดิน
- ค) อย่าวางเครื่องมือไฟฟ้าตกผ่านหรือทิ้งไว้ในที่ชื้นและหากน้ำเข้าในเครื่องมือไฟฟ้า จะเพิ่มความเสี่ยงจากการถูกไฟฟ้าดูด

- ง) อย่าใช้สายไฟฟ้าอย่างผิดๆ อย่าถือเครื่องมือไฟฟ้าที่สาย อย่าใช้สายช้อนเครื่อง หรือยึดสายไฟฟ้าเพื่อถอดปลั๊กออกจากเต้าเสียบ กันสายไฟฟ้าออกห่างจากความร้อน น้ำมัน ขอบแหลมคม หรือส่วนของเครื่องมือที่กำลังเคลื่อนไหว สายไฟฟ้าที่ชำรุดหรือพันกันยุ่ง เพิ่มความเสี่ยงจากการถูกไฟฟ้าดูด
- จ) เมื่อใช้เครื่องมือไฟฟ้าทำงานกลางแจ้ง ให้ใช้สายไฟต่อที่ได้รับการรับรองให้ใช้ต่อในที่กลางแจ้งเท่านั้น การใช้สายไฟต่อที่เหมาะสมสำหรับงานกลางแจ้งช่วยลดอันตรายจากการถูกไฟฟ้าดูด
- ฉ) หากไม่สามารถหลีกเลี่ยงการใช้เครื่องมือไฟฟ้าทำงานในสถานที่เปียกชื้นได้ ให้ใช้สวิทช์ตัดวงจรเมื่อเกิดการรั่วไหลของไฟฟ้าจากสายดิน การใช้สวิทช์ตัดวงจรเมื่อเกิดการรั่วไหลของไฟฟ้าจากสายดินช่วยลดความเสี่ยงต่อการถูกไฟฟ้าดูด

3) ความปลอดภัยของบุคคล

- ก) ท่านต้องอยู่ในสภาพเตรียมพร้อม ระวังสิ่งที่กำลังทำอยู่ และมีสติขณะใช้เครื่องมือไฟฟ้าทำงาน อย่าใช้เครื่องมือไฟฟ้าขณะที่ท่านกำลังเหนื่อย หรืออยู่ภายใต้การครอบงำของฤทธิ์ของยาเสพติด แอลกอฮอล์ และยา เมื่อใช้เครื่องมือไฟฟ้าทำงาน ในช่วงเวลาที่ท่านขาดความเอาใจใส่อาจทำให้บุคคลบาดเจ็บรุนแรงได้
- ข) ใช้อุปกรณ์ปกป้องร่างกาย สวมแว่นตาป้องกันเสมอ อุปกรณ์ปกป้อง เช่น หน้ากากกันฝุ่น รองเท้านิรภัย หมวกแข็ง หรือประคบหูกันเสียงดัง ที่เลือกใช้ตามความเหมาะสมกับสภาพการทำงาน สามารถลดอันตรายต่อบุคคลได้
- ค) ป้องกันการติดเครื่องโดยไม่ตั้งใจ ต้องดูให้แน่ใจว่าสวิทช์อยู่ในตำแหน่งปิดก่อนเสียบปลั๊กไฟเข้าในเต้าเสียบ และ/หรือใส่แท่งแบตเตอรี่ ยึดขึ้นหรือถือเครื่องมือ การถือเครื่องโดยใช้นิ้วหัวที่สวิทช์ หรือเสียบปลั๊กไฟฟ้าขณะสวิทช์เปิดอยู่ อาจนำไปสู่อุบัติเหตุที่ร้ายแรงได้
- ง) เอาเครื่องมือปรับแต่งหรือประแจปากตายออกจากเครื่องมือไฟฟ้าก่อนเปิดสวิทช์ เครื่องมือหรือประแจปากตายที่วางอยู่กึ่งส่วนของเครื่องที่กำลังหมุนจะทำให้บุคคลบาดเจ็บได้

- จ) หลีกเลี่ยงการตั้งท่าที่ผิดปกติ ตั้งทำขึ้นที่มั่นคงและวางน้ำหนักให้สมดุลตลอดเวลา ในลักษณะนี้ท่านสามารถควบคุมเครื่องมือไฟฟ้าในสถานการณ์ที่ไม่คาดคิดได้ดีกว่า
- ฉ) ใส่เสื้อผ้าที่เหมาะสม อย่าใส่เสื้อผ้าหลวมหรือสวมเครื่องประดับ เข็มหมุด เสื้อผ้า และถุงมือออกห่างส่วนของเครื่องที่กำลังหมุน เสื้อผ้าหลวม เครื่องประดับ และผมยาวอาจเข้าไปติดในส่วนของเครื่องที่กำลังหมุนได้
- ช) หากต้องต่อเครื่องมือไฟฟ้าเข้ากับเครื่องดูดฝุ่นหรือเครื่องเก็บผง ดูให้แน่ใจว่าการเชื่อมต่อและการใช้งานเป็นไปอย่างถูกต้อง การใช้อุปกรณ์ดูดฝุ่นช่วยลดอันตรายที่เกิดจากฝุ่นได้
- 4) การใช้และการดูแลรักษาเครื่องมือไฟฟ้า
- ก) อย่าใช้เครื่องมือไฟฟ้าอย่างหักโหม ใช้เครื่องมือไฟฟ้าที่ถูกต้องตรงตามลักษณะงาน เครื่องมือไฟฟ้าที่ถูกต้องจะทำงานได้ดีกว่าและปลอดภัยกว่าในระดับสมรรถภาพที่ออกแบบไว้
- ข) อย่าใช้เครื่องมือไฟฟ้าที่สวิตช์เปิดปิดเสีย เครื่องมือไฟฟ้าที่ไม่สามารถควบคุมการเปิดปิดด้วยสวิตช์ได้ เป็นเครื่องมือไฟฟ้าที่ไม่ปลอดภัยและต้องส่งซ่อมแซม
- ค) ก่อนปรับแต่งเครื่อง เปลี่ยนอุปกรณ์ประกอบ หรือเก็บเครื่องเข้าที่ ต้องถอดปลั๊กไฟออกจากเต้าเสียบและ/หรือถอดแท่งแบตเตอรี่ออกจากเครื่องมือไฟฟ้า มาตรการป้องกันเพื่อความปลอดภัยนี้ช่วยลดความเสี่ยงจากการติดเครื่องโดยไม่ได้ตั้งใจ
- ง) เมื่อเลิกใช้งานเครื่องมือไฟฟ้า ให้เก็บเครื่องไว้ในที่ที่เด็กหยิบไม่ถึง และไม่อนุญาตให้บุคคลที่ไม่คุ้นเคยกับเครื่องหรือบุคคลที่ไม่ได้อ่านคำแนะนำนี้ใช้เครื่อง เครื่องมือไฟฟ้าเป็นของอันตรายหากตกอยู่ในมือของผู้ใช้ที่ไม่ได้รับการฝึกฝน
- จ) เอาใจใส่ดูแลรักษาเครื่อง ตรวจหาส่วนที่เคลื่อนไหวได้ของเครื่องว่าวางอยู่ตรงแนวหรือติดขัดหรือไม่ ตรวจหาการแตกหักของชิ้นส่วนและสภาพอื่นใดที่อาจมีผลต่อการทำงานของเครื่องมือไฟฟ้า หากชำรุดต้องส่งเครื่องมือไฟฟ้าซ่อมแซมก่อนใช้งาน อุบัติเหตุหลายอย่างเกิดขึ้นเนื่องจากดูแลรักษาเครื่องไม่ดีพอ
- ฉ) รักษาเครื่องมือตัดใหม่และสะอาด หากบำรุงรักษาเครื่องมือที่มีขอบตัดแหลมคมอย่างถูกต้อง จะสามารถตัดได้สั้นไม่ติดขัดและควบคุมได้ง่ายกว่า
- ช) ใช้เครื่องมือไฟฟ้า อุปกรณ์ประกอบ เครื่องมือ และอุปกรณ์อื่น ๆ ให้ตรงตามคำแนะนำนี้ และในลักษณะตามที่เครื่องมือไฟฟ้าประเภทนั้น ๆ กำหนดไว้ โดยต้องคำนึงถึงเงื่อนไขการทำงานและงานที่จะทำด้วย การใช้เครื่องมือไฟฟ้าทำงานที่ต่างไปจากวัตถุประสงค์การใช้งานของเครื่อง อาจนำไปสู่สถานการณ์ที่เป็นอันตรายได้
- 5) การบริการ
- ก) ส่งเครื่องมือไฟฟ้าให้ช่างผู้เชี่ยวชาญตรวจสอบและใส่อะไหล่เปลี่ยนของแท้เท่านั้น ในลักษณะนี้ท่านจะแน่ใจได้ว่าเครื่องมือไฟฟ้าอยู่ในสภาพที่ปลอดภัย

คำเตือนเพื่อความปลอดภัยสำหรับเครื่องเซาะแบบ

- ▶ เครื่องมือเซาะต้องมีความเร็วรอบหมุนอนุญาตสูงเท่ากับความเร็วรอบสูงสุดที่ระบุไว้บนเครื่องมือไฟฟ้าเป็นอย่างน้อยที่สุด อุปกรณ์ประกอบที่หมุนเร็วกว่าความเร็วรอบอนุญาต อาจถูกทำลายได้
- ▶ เครื่องมือเซาะหรืออุปกรณ์ประกอบชิ้นอื่น ๆ ต้องประกอบเข้าในค้ำจับเครื่องมือ (แหวนรัดก้านเครื่องมือ) ของเครื่องของท่านได้อย่างเหมาะสมพอดี เครื่องมือเซาะที่สวมเข้าไม่กระชับพอดีกับค้ำจับเครื่องมือของเครื่องจะหมุนไม่ราบเรียบ สั่นรบกวนหนัก และอาจทำให้ขาดการควบคุม
- ▶ จับเครื่องมือเข้าหาชิ้นงานเมื่อเครื่องเปิดทำงานอยู่เท่านั้น มิฉะนั้นอาจได้รับอันตรายจากการตีกลับหากเครื่องมือติดติดขัดอยู่ในชิ้นงาน
- ▶ อย่าเซาะบนวัตถุที่เป็นโลหะ ตะปู หรือสกรู เครื่องมือเซาะอาจชำรุดและสั่นรบกวนมากขึ้น
- ▶ เมื่อทำงานในบริเวณที่เครื่องมืออาจเจาะเข้าในสายไฟฟ้าที่ซ่อนอยู่หรือเจาะเข้าในสายไฟหลักของเครื่อง ต้องจับเครื่องมือไฟฟ้าตรงค้ำจับที่หมุนจนวนเท่านั้น การสัมผัสกับสายที่มีกระแสไฟฟ้าไหลอยู่จะทำให้ส่วนที่เป็นโลหะของเครื่องเกิดมีกระแสไฟฟ้าด้วย และส่งผลให้ผู้ใช้งานเครื่องถูกไฟฟ้ากระตุกได้

- ▶ ใช้เครื่องมือที่เหมาะสมตรวจหาท่อและสายไฟฟ้าที่อาจซ่อนอยู่ในบริเวณที่จะทำงาน หรือขอความช่วยเหลือจากบริษัทวางท่อและสายไฟฟ้าในท้องถิ่น การสัมผัสกับสายไฟฟ้าอาจทำให้เกิดไฟไหม้หรือถูกไฟฟ้าช็อกหรือดูดได้ การทำให้ท่อแก๊สเสียหายอาจเกิดระเบิดได้ การเจาะเข้าไปในท่อน้ำทำให้ทรัพย์สินเสียหาย
- ▶ อย่าใช้เครื่องมือเจาะที่ท่อหรือชำรุด เครื่องมือเจาะที่ท่อหรือชำรุดจะทำให้ฝดยิ่งขึ้น เกิดติดขัด และนำไปสู่ความไม่สมดุล
- ▶ ยึดชิ้นงานให้แน่น การยึดชิ้นงานด้วยเครื่องมือหนีบหรือแทนจับจะมั่นคงกว่าการยึดด้วยมือ
- ▶ ก่อนวางเครื่องลงบนพื้นทุกครั้ง ต้องรอให้เครื่องหยุดนิ่งอยู่กับที่เสมอ มิฉะนั้นเครื่องมือที่ปล่อยอาจติดขัดและนำไปสู่การสูญเสียการควบคุมเครื่องมือไฟฟ้า
- ▶ อย่าใช้เครื่องมือสายไฟฟ้าชำรุด หากสายไฟฟ้าชำรุดขณะทำงาน อย่าสัมผัสสายไฟฟ้าที่ชำรุด ให้ดึงปลั๊กไฟฟ้าหลักออกจากเต้าเสียบ สายไฟฟ้าชำรุดเพิ่มความเสี่ยงจากการถูกไฟฟ้าช็อกหรือดูด

ลักษณะหน้าที่



ต้องอ่านคำเตือนเพื่อความปลอดภัยและคำสั่งทั้งหมด การไม่ปฏิบัติตามคำเตือนและคำสั่งอาจเป็นสาเหตุให้ถูกไฟฟ้าดูด เกิดไฟไหม้ และ/หรือได้รับบาดเจ็บอย่างร้ายแรง

ขณะอ่านคู่มือการใช้งานเครื่อง ให้เปิดหน้าที่แสดงภาพประกอบของเครื่องและเปิดค้างไว้

ประโยชน์การใช้งานของเครื่อง

เครื่องนี้ใช้สำหรับเจาะร่อง เส้นขอบ รูปโครงร่าง และร่องตามยาว และยังใช้สำหรับเจาะกอบปีในไม้ พลาสติก และวัสดุอุดกอสว่างน้ำหนักเบา โดยจับเครื่องวางอย่างมั่นคงบนวัสดุชิ้นงาน

ส่วนประกอบผลิตภัณฑ์

ลำดับเลขของส่วนประกอบผลิตภัณฑ์ข้างถึงส่วนประกอบของเครื่องที่แสดงในหน้าภาพประกอบ

- 1 มอเตอร์
- 2 ฐานเจาะ
- 3 ปุ่มหมุนสำหรับปรับละเอียดความลึกการตัด
- 4 เครื่องมือเจาะ*
- 5 นอตยึดพร้อมแหวนรัดก้านเครื่องมือ
- 6 แผ่นนำทาง
- 7 แผ่นฐาน
- 8 มาตราส่วนสำหรับปรับความลึกการตัด
- 9 ปุ่มลีดคแกน
- 10 ก้านหนีบ
- 11 สวิตช์เปิด-ปิด
- 12 แหวนรัดก้านเครื่องมือ
- 13 ตามจับเครื่องมือ
- 14 ประแจปากตาย (17 มม.)
- 15 ปลอกหุ้มฐาน
- 16 ปลอกสวมสำหรับลอกแบบ*
- 17 แผงกำหนดแนวขนาน
- 18 นอตปีกสำหรับยึดแผงด้านข้าง
- 19 นอตปีกสำหรับแผงกำหนดแนวขนาน
- 20 แผงนำลูกกลิ้ง*
- 21 ลูกกลิ้ง
- 22 นอตปีกสำหรับยึดการปรับแนวขนาน
- 23 นอตปีกสำหรับปรับแนวขนานของแผงนำลูกกลิ้ง
- 24 นอตสำหรับปรับแรงขันตึง

*อุปกรณ์ประกอบที่แสดงหรือระบุไม่รวมอยู่ในการจัดส่งมาตรฐาน กรุณาดูอุปกรณ์ประกอบทั้งหมดในรายการแสดงอุปกรณ์ประกอบของเรา

ข้อมูลทางเทคนิค

เครื่องเซาะแบบ	GMR 1 Professional	
หมายเลขสินค้า		3 601 FOA 0..
กำลังไฟฟ้าเข้ากำหนด	วัตต์	550
ความเร็วรอบเดินตัวเปล่า	รอบ/นาที	33000
ด้ามจับเครื่องมือ	มม.	6
	นิ้ว	¼
น้ำหนักตามระเบียบการ-EPTA-Procedure 01/2003	กก.	1.5
ระดับความปลอดภัย		□/II
ค่าที่ให้นี้ใช้กับแรงดันไฟฟ้าระบุ [U] 230/240 โวลต์ ค่าเหล่านี้อาจผิดแผกไปสำหรับแรงดันไฟฟ้าที่ต่ำกว่า และโมเดลที่สร้างสำหรับเฉพาะประเทศ		
เครื่องแต่ละเครื่องมือชื่อทางการค้าแตกต่างกัน ดังนั้นกรุณาสังเกตหมายเลขสินค้าบนแผ่นป้ายรุ่นของเครื่องของท่าน		

การประกอบ**การเปลี่ยนเครื่องมือ**

- ▶ ดึงปลั๊กไฟออกจากเต้าเสียบก่อนปรับแต่งเครื่อง
- ▶ ขอแนะนำให้สวมถุงมือป้องกันอันตรายเมื่อใส่หรือเปลี่ยนเครื่องมือเซาะ

การถอดฐานเซาะ (ดูภาพประกอบ A)

ก่อนใส่เครื่องมือเซาะ ต้องจับฐานเซาะ 2 แยกออกจากมอเตอร์ 1

- เปิดก้านหนีบ 10 และหมุนฐานเซาะ 2 โดยให้เครื่องหมาย ▲ อยู่ตรงกับสัญลักษณ์ ■ บนมอเตอร์ 1
- ดึงมอเตอร์ขึ้นด้านบนจนสุด
- หมุนมอเตอร์ในทิศทวนเข็มนาฬิกาจนสุด และดึงมอเตอร์ออกจากฐานเซาะ

การเปลี่ยนแหวนรัดก้านเครื่องมือ (ดูภาพประกอบ B)

ก่อนใส่เครื่องมือเซาะ อาจต้องเปลี่ยนนอตยึดพร้อมแหวนรัดก้านเครื่องมือ 5 ทั้งนี้ขึ้นอยู่กับรูปลักษณะเครื่องมือเซาะที่กำลังใช้อยู่ เมื่อประกอบแหวนรัดก้านเครื่องมือตัวที่เข้ากันได้กับเครื่องมือเซาะแล้ว ให้ปฏิบัติตามขั้นตอนการทำงานในบท "การใส่เครื่องมือเซาะ"

เมื่อแหวนรัดก้านเครื่องมือ 12 วางอยู่ในนอตยึด ต้องมีช่องหลวมบ้าง นอตยึด 5 ต้องประกอบเข้าได้อย่างง่ายดาย หากนอตยึดหรือแหวนรัดก้านเครื่องมือชำรุด ต้องเปลี่ยนใหม่ทันที

- กดปุ่มล๊อคแกน 9 และกดค้างไว้ อาจต้องใช้มือหมุนแกนเครื่องจนเซาะล๊อค (ดูภาพประกอบ C1)
- ชันนอตยึด 5 ออกด้วยประแจปากตาย 14 โดยหมุนไปในทิศทวนเข็มนาฬิกา
- ปล่อนิ้วจากปุ่มล๊อคแกน
- หากจำเป็น ก่อนการประกอบ ให้ทำความสะอาดทุกชิ้นส่วนที่จัดต้องประกอบเข้าโดยใช้แปรงขนอ่อนบิดหรือใช้อากาศอัดเป่าออก
- ประกอบนอตยึดตัวใหม่เข้ากับด้ามจับเครื่องมือ 13
- ชันนอตยึดเข้าอย่างหลวมๆ

- ▶ **อย่าขันนอตยึดแหวนรัดก้านเครื่องมือเข้าโดยไม่มีเครื่องมือเซาะใส่อยู่ด้านใน** มิฉะนั้น แหวนรัดก้านเครื่องมือจะชำรุดได้

การใส่เครื่องมือเซาะ (ดูภาพประกอบ C1–C2)

เครื่องมือเซาะมีให้เลือกใช้ในรูปแบบและคุณภาพต่างๆ กันมากมาย ทั้งนี้ขึ้นอยู่กับวัตถุประสงค์การใช้งาน

เครื่องมือเซาะทำจากเหล็กเหนียวที่มีคุณภาพ (HSS) เหมาะสำหรับเซาะวัสดุอ่อน ต.ย. เช่น ไม้เนื้ออ่อน และพลาสติก

เครื่องมือเซาะเลี่ยมปลายด้วยคาร์ไบด์ (HM) เหมาะอย่างยิ่งสำหรับเซาะวัสดุแข็งและวัสดุที่กัดกร่อนได้ ต.ย. เช่น ไม้เนื้อแข็ง และอะลูมิเนียม

หาซื้อเครื่องมือเซาะของแท้จากรายการอุปกรณ์ประกอบของ บอช ที่มีให้เลือกมากมายได้จากร้านขายอุปกรณ์เฉพาะด้าน

ใช้เฉพาะเครื่องมือเซาะที่สะอาดหมดจดและมีสภาพสมบูรณ์แบบ

- กดปุ่มล๊อคแกน 9 และกดค้างไว้ อาจต้องใช้มือหมุนแกนเครื่องจนเซาะล๊อค (ดูภาพประกอบ C1)
- คลายนอตยึด 5 ออกด้วยประแจปากตาย 14 โดยหมุนในทิศทวนเข็มนาฬิกา (ดูภาพประกอบ C2)

- ใส่เครื่องมือเข้าในแหวงรัดก้านเครื่องมือ ก้านเครื่องมือ
เข้าที่ใส่อยู่ในแหวงรัดก้านเครื่องมือต้องมีความยาวอย่างน้อย
ที่สุด 20 มม.
- ชั้นนอตยึดพร้อมแหวงรัดก้านเครื่องมือในทิศตามเข็มนาฬิกา
กลับเข้าให้แน่นอีกครั้ง
- ปลดย่นิวจากปุ่มล็อคด้าน
- ▶ **อย่าขันนอตยึดแหวงรัดก้านเครื่องมือเข้าโดยไม่มี
เครื่องมือเข้าใส่อยู่ด้านใน** มิฉะนั้น แหวงรัดก้านเครื่องมือ
จะชำรุดได้

การประกอบฐานเซาะ (ดูภาพประกอบ D)

สำหรับการเซาะ ต้องสวมฐานเซาะ 2 เข้าบนมอเตอร์ 1 เช่นเดิม

- หากก้านหนีบปิดอยู่ ให้เปิดก้านหนีบ 10 ที่อยู่บนฐานเซาะออก
- จัดเครื่องมือหมุนลูกศรคู่บนมอเตอร์และบนฐานเซาะ 2
ให้อยู่ในแนวเดียวกัน
- สวมมอเตอร์เข้าในฐานเซาะ และหมุนมอเตอร์ในทิศตามเข็
มนาฬิกาจนเครื่องมือ ▲ ชี้ตรงกับสัญลักษณ์ ■
- ดันมอเตอร์เข้าในฐานเซาะอีก
- หลังประกอบแล้ว ให้หมุนฐานเซาะโดยให้เครื่องมือ ▲
อยู่ตรงกับสัญลักษณ์ ■ บนมอเตอร์
- ล็อคก้านหนีบ

- ▶ **เมื่อประกอบเสร็จแล้ว ต้องตรวจสอบว่ามอเตอร์ได้วาง
แน่นสนิทอยู่ในฐานเซาะแล้วหรือไม่**

หากจำเป็น ให้เปลี่ยนแรงขันตึงของก้านหนีบ 10 ที่ตั้งก่อนหน้า
(ดู "การปรับขั้วก้านหนีบ" หน้า 41)

การประกอบปลอกหุ้มฐาน (ดูภาพประกอบ E)

เมื่อใช้เครื่องมือแบบบ่อยๆ เป็นเวลานาน ฐานเซาะจะร้อนขึ้น
ในกรณีนี้ ท่านสามารถประกอบปลอกหุ้มฐาน (อุปกรณ์ประกอบ)
เข้าเพื่อป้องกันมือ

- ถอดก้านหนีบ 10 ออก
- สวมปลอกหุ้มฐาน 15 จากด้านบนครอบฐานเซาะ 2
- ประกอบก้านหนีบกลับเข้าที่เดิมให้แน่น โดยเมื่อล็อคก้านหนีบ
แล้ว มอเตอร์ 1 จะถูกยึดอย่างมั่นคงอยู่ในฐานเซาะ

การดูดฝุ่น/ซีลื้อย

ฝุ่นที่ได้จากวัสดุ เช่น เคลือบผิวที่มีสารตะกั่ว ไม้บางประเภท แร่ธาตุ
และโลหะ อาจเป็นอันตรายต่อสุขภาพ การสัมผัสหรือ
การหายใจเอาฝุ่นเข้าปอดทำให้เกิดปฏิกิริยาแพ้ฝุ่น และ/
หรือนำมาซึ่งโรคติดเชื้อระบบหายใจแก่ผู้ใช้เครื่องมือหรือผู้ที่ยืนอยู่
ใกล้เคียง

ฝุ่นบางประเภท เช่น ฝุ่นไม้ไผ่ หรือไม้บีช นับเป็นสารที่ทำให้เกิด
มะเร็ง โดยเฉพาะอย่างยิ่งเมื่อผสมกับสารเติมแต่งเพื่อบำบัดไม้
(โครเมต ผลิตภัณฑ์รักษาเนื้อไม้) สำหรับวัสดุที่มีแอสเบสทอส
ต้องให้ผู้เชี่ยวชาญทำงานเท่านั้น

- จัดสถานที่ทำงานให้มีภาวะระบายอากาศที่ดี
- ขอแนะนำให้สวมหน้ากากป้องกันการติดเชื้อที่มีระดับ-ไลกรอง
P2

- ▶ **ปฏิบัติตามกฎข้อบังคับสำคัญอื่น ๆ ที่เกี่ยวกับวัสดุชิ้นงาน
ที่บังคับใช้ในประเทศของท่าน**

การปฏิบัติงาน

การปรับความลึกการเซาะ (ดูภาพประกอบ F)

- ▶ **ปรับความลึกการเซาะ เมื่อเครื่องปิดสวิตช์อยู่เท่านั้น**

สำหรับการปรับความลึกการเซาะ ให้ปฏิบัติดังต่อไปนี้:

- วางเครื่องมือไฟฟ้าที่ใส่เครื่องมือเซาะแล้วลงบนชิ้นงาน
- หากก้านหนีบปิดอยู่ ให้เปิดก้านหนีบ 10 ที่อยู่บนฐานเซาะออก
- หมุนฐานเซาะ 2 โดยให้เครื่องมือ ▲ ไปตรงกับสัญลักษณ์
■ และลดมอเตอร์ลงต่ำอย่างช้าๆ จนเครื่องมือเซาะแตะ
ชิ้นงาน
- ล็อคก้านหนีบ
- อ่านค่าวัดบนมาตราส่วน 8 และบันทึกไว้ (ปรับสัดส่วนที่จุดศูนย์)
บอกความลึกการเซาะที่ต้องการเข้ากับค่านี้นี้
- เปิดก้านหนีบ และตั้งมอเตอร์ไว้ที่ค่ามาตราส่วนที่คิดคำนวณได้
- หมุนฐานเซาะ โดยให้เครื่องมือ ▲ ไปตรงกับสัญลักษณ์ ■
และล็อคก้านหนีบเช่นเดิม
- ตรวจสอบความลึกการเซาะที่ปรับไว้โดยการทดลองเซาะ
และปรับซ้ำ หากจำเป็น

สำหรับการปรับระดับยึดความลึกการเซาะ ให้ปฏิบัติดังต่อไปนี้:

- เปิดก้านหนีบ 10 ออก และตั้งเครื่องหมาย ▲ บนมอเตอร์ให้ตรงกับสัญลักษณ์
- ปรับความลึกการเซาะที่ต้องการด้วยปุ่มหมุน 3
- ล็อคก้านหนีบ

เริ่มต้นปฏิบัติงาน

- ▶ ให้สังเกตแรงดันไฟฟ้า! แรงดันไฟฟ้าจากแหล่งจ่ายไฟฟ้าต้องมีค่าตรงกับค่าแรงดันไฟฟ้าที่ระบุไว้บนแผ่นป้ายพิกัดเครื่อง

การเปิด-ปิดเครื่อง

เปิดเครื่องทำงานโดยสับสวิตช์เปิด-ปิด 11 ไปที่ 1

ปิดเครื่องโดยสับสวิตช์เปิด-ปิด 11 ไปที่ 0

ข้อแนะนำในการทำงาน

- ▶ ป้องกันไม่ให้เครื่องมือเซาะถูกกระทบกระแทก

ทิศทางการป้อนและกระบวนการเซาะ (ดูภาพประกอบ G)

- ▶ ต้องเคลื่อนเครื่องมือเซาะในทิศทางตรงข้ามกับทิศทางหมุนของเครื่องมือเซาะ 4 เสมอ (หมุนขึ้นย้อนทิศ) การเซาะในทิศทางเดียวกับการหมุนของเครื่องมือเซาะ (หมุนลงตามทิศ) อาจทำให้เครื่องดีดออกจากมือผู้ใช้และเสียการควบคุม
- ▶ ใช้เครื่องทำงานเมื่อมีฐานเซาะ 2 ประกอบอยู่ด้วยเท่านั้น การขาดการควบคุมเครื่องอาจทำให้ได้รับอันตรายบาดเจ็บ
- ▶ ก่อนเริ่มกระบวนการเซาะ ให้ตรวจสอบว่าเครื่องหมาย ▲ บนฐานเซาะอยู่ตรงกับสัญลักษณ์ บนมอเตอร์ 1 แล้วหรือไม่

หมายเหตุ: พึงนึกถึงว่าเครื่องมือเซาะ 4 จะต้องยื่นออกจากแผ่นฐาน 7 เสมอ อย่าทำให้แผ่นลอกลายหรือชิ้นงานเสียหาย

- ปรับความลึกการเซาะที่ต้องการ (ดู "การปรับความลึกการเซาะ" หน้า 39)
- เปิดสวิตช์เครื่องทำงานและนำเครื่องไปยังตำแหน่งที่จะทำการเซาะ
- ทำการเซาะโดยป้อนเครื่องอย่างสม่ำเสมอ
- เมื่อเซาะเสร็จแล้ว ให้ปิดสวิตช์เครื่องมือไฟฟ้า

- ▶ อย่าวางเครื่องมือไฟฟ้าลงกับพื้นจนกว่าเครื่องมือเซาะจะหยุดนิ่งอยู่กับที่แล้ว เครื่องมือที่ยังวิ่งต่ออาจทำให้ได้รับบาดเจ็บ

การเซาะด้วยปลอกสวมสำหรับลอกแบบ (ดูภาพประกอบ H1 – H3)

ปลอกสวมสำหรับลอกแบบ 16 ทำให้สามารถถ่ายทอดเส้นโครงร่างจากแพทเทิร์นหรือแผ่นลอกลายลงบนชิ้นงานได้

เลือกปลอกสวมสำหรับลอกแบบที่มีขนาดเหมาะสมตามความหนาของแผ่นลอกลายหรือแพทเทิร์น เนื่องจากปลอกสวมสำหรับลอกแบบมีความสูงยื่นออกมา แผ่นลอกลายจึงต้องมีความหนาอย่างน้อยที่สุด 8 มม. (ดูภาพประกอบ H1)

- ▶ เลือกเครื่องมือเซาะที่มีขนาดเส้นผ่านศูนย์กลางเล็กกว่าเส้นผ่านศูนย์กลางด้านในของปลอกสวมสำหรับลอกแบบ

- คลายสกรูทรงกระบอกสี่ตัวข้างใต้แผ่นนำทาง 6 และถอดแผ่นนำทางออก
- ใส่ปลอกสวมสำหรับลอกแบบ 16 เข้าในแผ่นนำทาง (ดูภาพประกอบ H2)
- ชันแผ่นนำทางเข้ากับแผ่นฐาน 7 อย่างหลวมๆ กลับเข้าอีกครั้ง แผ่นนำทางต้องยังคงเคลื่อนไหวได้อย่างอิสระ

เพื่อให้แน่ใจว่าระยะจากจุดศูนย์กลางเครื่องมือเซาะและขอบของปลอกสวมสำหรับลอกแบบมีความห่างเสมอกัน ต้องปรับปลอกสวมสำหรับลอกแบบและแผ่นนำทางเข้าหากัน หากจำเป็น

- จัดตำแหน่งแผ่นนำทางให้ถูกต้อง โดยให้เครื่องมือเซาะและปลอกสวมสำหรับลอกแบบอยู่ตรงกลางช่องเปิดในแผ่นนำทาง (ดูภาพประกอบ H3)

– จับแผ่นนำทางให้อยู่ในตำแหน่งนี้ และขันสกรูยึดเข้าให้แน่น สำหรับการเซาะด้วยปลอกสวมสำหรับลอกแบบ 16 ให้ปฏิบัติดังต่อไปนี้:

- วางเครื่องมือที่มีปลอกสวมสำหรับลอกแบบ 16 ประกอบอยู่ทับกับแผ่นลอกลาย
- จับเครื่องพร้อมปลอกสวมสำหรับลอกแบบที่ยื่นออกมาเคลื่อนไปตามแผ่นลอกลายโดยกดลงด้านข้างเล็กน้อย

การเซาะขอบหรือรูปร่าง (ดูภาพประกอบ I)

สำหรับการเซาะขอบหรือรูปร่างโดยใช้แฉกกำหนดแนวขนาน เครื่องมือเซาะต้องมีหมุดนำร่องหรือดัลบลูกกลิ้งประกอบติด

- จับเครื่องมือที่เปิดสวิตซ์ทำงานเข้าหาชิ้นงานทางด้านข้างโดยให้ หมุดนำร่องหรือดัลบลูกกลิ้งของเครื่องมือเซาะแตะกับขอบ ชิ้นงานที่จะเซาะ
- เคลื่อนเครื่องเทียบไปตามขอบชิ้นงาน ดูให้แน่ใจว่าได้วาง เครื่องตั้งเป็นมุมฉากบนชิ้นงาน การกดแรงเกินไปอาจทำให้ ขอบชิ้นงานเสียหาย

การเซาะด้วยแฉกกำหนดแนวขนาน (ดูภาพประกอบ K)

สำหรับการเซาะขอบแนวขนาน ท่านสามารถประกอบแฉกกำหนด แนวขนาน 17 เข้า

- ยึดแฉกกำหนดแนวขนาน 17 ให้ติดกับฐานเซาะ 2 ด้วยนอตปีก 18
- ปรับการตั้งความลึกที่ต้องการบนแฉกกำหนดแนวขนานด้วย นอตปีก 19
- เคลื่อนเครื่องมือที่เปิดสวิตซ์ทำงานไปข้างหน้าอย่างสม่ำเสมอ และ กดลงด้านข้างบนแฉกกำหนดแนวขนานเทียบไปตามขอบ ชิ้นงาน

การเซาะด้วยแฉกนำลูกกลิ้ง (ดูภาพประกอบ L)

แฉกนำลูกกลิ้ง 20 ใช้สำหรับเซาะขอบโดยใช้เครื่องมือเซาะที่ไม่มี หมุดนำร่องหรือดัลบลูกกลิ้ง

- ยึดแฉกนำลูกกลิ้งให้ติดกับฐานเซาะ 2 ด้วยนอตปีก 18
- เคลื่อนเครื่องไปข้างหน้าอย่างสม่ำเสมอเทียบไปตามขอบชิ้นงาน

การจัดระยะช่องว่างด้านข้าง: เมื่อต้องการเปลี่ยนปริมาณ การเซาะออกให้มากหรือน้อย ให้ปรับระยะช่องว่างด้านข้างระหว่าง ชิ้นงานและลูกกลิ้ง 21 บนแฉกนำลูกกลิ้ง 20

- คลายนอตปีก 22 ออก ปรับช่องว่างด้านข้างให้ได้ระยะตาม ต้องการโดยหมุนนอตปีก 23 และขันนอตปีก 22 กลับเข้าที่เดิม ให้แน่น

ความสูง: ปรับแนวตั้งตรงของแฉกนำลูกกลิ้งตามประเภทเครื่องมือ เซาะที่ใช้และความหนาของวัสดุชิ้นงาน

- คลายนอตปีก 18 บนแฉกนำลูกกลิ้งออก เลื่อนแฉกนำลูกกลิ้ง ไปยังตำแหน่งที่ต้องการ และขันนอตปีกกลับเข้าที่เดิมให้แน่น

การปรับชัก้านหนีบ (ดูภาพประกอบ M)

เมื่อมอเตอร์ 1 ไม่วางอยู่ในฐานเซาะอย่างแน่นสนิท ต้องปรับแรง ชันดึงของก้านหนีบ 10 ใหม่

- เปิดก้านหนีบ
- หมุนนอต 24 ไปประมาณ 45 องศา ในทิศทางเข็มนาฬิกาด้วย ประแจปากตาย (ขนาด 8 มม.)
- ล็อคก้านหนีบกลับเข้าที่เดิม
- ตรวจสอบว่ามอเตอร์ได้ถูกหนีบไว้อย่างมั่นคงแล้วหรือไม่ อย่าขัน นอตให้ตึงเกินไป

การบำรุงรักษาและการบริการ**การบำรุงรักษาและการทำความสะอาด**

- ▶ **ดึงปลั๊กไฟออกจากเต้าเสียบก่อนปรับแต่งเครื่อง**
- ▶ **เพื่อให้ทำงานได้อย่างถูกต้องและปลอดภัย ต้องรักษา เครื่องและช่องระบายอากาศให้สะอาดอยู่เสมอ**

เมื่อจำเป็นต้องเปลี่ยนสายไฟฟ้า ให้ส่งเครื่องให้บริษัท บอช หรือ ศูนย์บริการลูกค้าสำหรับเครื่องมือไฟฟ้า บอช ที่ได้รับมอบหมาย ทำการเปลี่ยนให้ เพื่อหลีกเลี่ยงอันตรายด้านความปลอดภัย

เครื่องมือไฟฟ้านี้ผ่านกรรมวิธีการผลิตและตรวจสอบอย่างละเอียด ถัดวนมาแล้ว ถึงกระนั้น หากเครื่องเกิดขัดข้อง ต้องส่งเครื่องให้ศูนย์ บริการหลังการขายสำหรับเครื่องมือไฟฟ้า บอช ซ่อมแซม

เมื่อต้องการสอบถามและสั่งซื้ออะไหล่ กรุณาแจ้งหมายเลขสินค้า สิบลักษณ์บนแผ่นป้ายรุ่นของเครื่องทุกครั้ง

การบริการหลังการขายและการให้คำแนะนำลูกค้า

ศูนย์บริการหลังการขายของเรายินดีตอบคำถามของท่านที่เกี่ยวกับการบำรุงรักษาและการซ่อมแซมผลิตภัณฑ์รวมทั้งเรื่องอะไหล่ ภาพขยายและข้อมูลเกี่ยวกับอะไหล่ กรุณาดูใน:

www.bosch-pt.com

แผนกให้คำปรึกษาลูกค้าของเราพร้อมให้คำแนะนำที่ดีที่สุดแก่ท่านในเรื่องการซื้อผลิตภัณฑ์ การใช้งานและการปรับแต่งผลิตภัณฑ์ และอุปกรณ์ประกอบต่างๆ

ในกรณีประกัน ซ่อมแซม หรือซื้อชิ้นส่วนมาเปลี่ยน กรุณาติดต่อผู้ขายที่ได้รับแต่งตั้งเท่านั้น

ประเทศไทย**สำนักงาน**

บริษัท โรเบิร์ต บ๊อช จำกัด
ชั้น 11 ตึกลิเบอร์ตี สแควร์

287 ถนนสีลม

กรุงเทพฯ 10500

โทรศัพท์ +66 (0)2 / 6 31 18 79 – 18 88 (10 หมายเลข)

โทรสาร +66 (0)2 / 2 38 47 83

ตู้ไปรษณีย์

บริษัท โรเบิร์ต บ๊อช จำกัด

แผนกเครื่องมือไฟฟ้า

ตู้ ปณ. 20 54

กรุงเทพฯ 10501

ประเทศไทย

ศูนย์บริการซ่อมและฝึกอบรม

ศูนย์บริการซ่อมและฝึกอบรมบ๊อช

2869 – 2869/1 ซอยบ้านกล้วย

ถนนพระรามที่ 4 (ใกล้ทางรถไฟสายปากน้ำเก่า)

พระโขนง

กรุงเทพฯ 10110

ประเทศไทย

โทรศัพท์ +66 (0)2 / 6 71 78 00 – 4

โทรสาร +66 (0)2 / 2 49 42 96

โทรสาร +66 (0)2 / 249 5299

การกำจัดขยะ

เครื่องมือ อุปกรณ์ประกอบ และหีบห่อ ต้องนำไปแยกประเภทวัสดุ เพื่อนำกลับมาใช้ใหม่โดยไม่ทำลายสภาพแวดล้อม

ขอสงวนสิทธิ์ในการเปลี่ยนแปลงโดยไม่ต้องแจ้งล่วงหน้า

Petunjuk-Petunjuk untuk Keselamatan Kerja

Petunjuk-Petunjuk Umum untuk Perkakas Listrik

⚠ PERHATIKANLAH Bacalah semua petunjuk-petunjuk untuk keselamatan kerja dan petunjuk-petunjuk untuk penggunaan. Kesalahan dalam menjalankan petunjuk-petunjuk untuk keselamatan kerja dan petunjuk-petunjuk untuk penggunaan dapat mengakibatkan kontak listrik, kebakaran dan/atau luka-luka yang berat.

Simpanlah semua petunjuk-petunjuk untuk keselamatan kerja dan petunjuk-petunjuk lainnya untuk penggunaan di masa depan.

Kata „perkakas listrik“ yang disebutkan di dalam petunjuk-petunjuk untuk keselamatan kerja adalah sebutan untuk perkakas listrik pakai listrik jaringan (dengan kabel) dan untuk perkakas listrik pakai aki (tanpa kabel listrik).

1) Keselamatan kerja di tempat kerja

- a) Jagalah supaya tempat kerja selalu **bersih dan terang**. Tempat kerja yang tidak rapi atau tidak terang dapat mengakibatkan terjadinya kecelakaan.
- b) **Janganlah menggunakan perkakas listrik di tempat di mana dapat terjadi ledakan, di mana ada cairan, gas atau debu yang mudah terbakar**. Perkakas listrik dapat memancarkan bunga api yang lalu mengakibatkan debu atau uap terbakar.
- c) **Selama menggunakan perkakas listrik, jauhkan anak-anak dan orang-orang lain dari tempat kerja**. Jika konsentrasi terganggu, bisa jadi Anda tidak bisa mengendalikan perkakas listrik tersebut.

2) Keamanan listrik

- a) **Steker dari perkakas listrik harus cocok pada stopkontak. Janganlah sekali-kali merubah steker. Janganlah menggunakan steker perantara bersama dengan perkakas listrik yang mempunyai hubungan arde**. Steker yang tidak dirubah dan stopkontak yang cocok mengurangi bahaya terjadinya kontak listrik.
- b) **Jagalah supaya badan Anda tidak bersentuhan dengan permukaan yang mempunyai hubungan arde, misalnya pipa-pipa, radiator pemanas ruangan, kompor listrik dan lemari es**. Ada risiko besar terjadi kontak listrik, jika badan Anda mempunyai hubungan arde.
- c) **Jagalah supaya perkakas listrik tidak kena hujan atau menjadi basah**. Air yang masuk ke dalam perkakas listrik menambah risiko terjadinya kontak listrik.
- d) **Janganlah menyalah gunakan kabel listrik untuk mengangkat dan menggantungkan perkakas listrik atau untuk menarik steker dari stopkontak. Jagalah supaya kabel listrik tidak kena panas, minyak, pinggiran yang tajam atau bagian-bagian perkakas yang bergerak**. Kabel listrik yang rusak atau tersangkut menambah risiko terjadinya kontak listrik.
- e) **Jika Anda menggunakan perkakas listrik di luar gedung, gunakanlah hanya kabel sambungan yang juga cocok untuk pemakaian di luar gedung**. Penggunaan kabel sambungan yang cocok untuk pemakaian di luar gedung mengurangi risiko terjadinya kontak listrik.
- f) **Jika penggunaan perkakas listrik di tempat yang basah tidak bisa dihindarkan, gunakanlah sakelar pengaman terhadap arus penyimpangan**. Penggunaan sakelar pengaman terhadap arus penyimpangan mengurangi risiko terjadinya kontak listrik.

3) Keselamatan kerja

a) Berhati-hatilah selalu, perhatikanlah apa yang Anda kerjakan dan bekerjalah dengan seksama jika menggunakan perkakas listrik. Janganlah menggunakan perkakas listrik, jika Anda capai atau berada di bawah pengaruh narkoba, minuman keras atau obat. Jika Anda sekejap mata saja tidak berhati-hati sewaktu menggunakan perkakas listrik, dapat terjadi luka-luka berat.

b) Pakailah pakaian dan sarana pelindung dan pakailah selalu kaca mata pelindung.

Dengan memakai pakaian dan sarana pelindung, misalnya kedok anti debu, sepatu tertutup yang tidak licin, helm pelindung atau pemalut telinga sesuai dengan pekerjaan yang dilakukan dengan perkakas listrik, bahaya terjadinya luka-luka dapat dikurangi.

c) Jagalah supaya perkakas listrik tidak dihidupkan secara tidak disengaja. Perhatikan bahwa perkakas listrik dalam penyetalan mati, jika steker disambungkan pada pengadaan listrik dan/atau aki, jika perkakas listrik diangkat atau dibawa. Jika selama mengangkat perkakas listrik jari Anda berada pada tombol untuk menghidupkan dan mematikan atau perkakas listrik yang dalam penyetalan hidup disambungkan pada listrik, dapat terjadi kecelakaan.

d) Lepaskan semua perkakas-perkakas penyetalan atau kunci-kunci pas sebelum perkakas listrik dihidupkan. Perkakas atau kunci yang berada di dalam bagian yang berputar dapat mengakibatkan terjadinya luka-luka.

e) Aturkan badan sedemikian sehingga Anda bisa bekerja dengan aman. Berdirilah secara mantap dan jagalah selalu keseimbangan. Dengan demikian Anda bisa mengendalikan perkakas listrik dengan lebih baik, jika terjadi sesuatu dengan tiba-tiba.

f) Pakailah pakaian yang cocok. Janganlah memakai pakaian yang longgar atau perhiasan. Jagalah supaya rambut, pakaian dan sarung tangan tidak masuk dalam bagian-bagian perkakas yang bergerak. Pakaian yang longgar, rambut panjang atau perhiasan dapat tersangkut dalam bagian perkakas yang bergerak.

g) Jika ada kemungkinan untuk memasang sarana penghisapan dan penampungan debu, perhatikan bahwa sarana-sarana ini telah dipasangkan dan digunakan dengan betul. Penggunaan sarana penghisapan bisa mengurangi bahaya yang disebabkan debu.

4) Penggunaan dan penanganan perkakas listrik dengan seksama

a) Janganlah membebankan perkakas listrik terlalu berat. Gunakan selalu perkakas listrik yang cocok untuk pekerjaan yang dilakukan. Dengan perkakas listrik yang cocok Anda bekerja lebih baik dan lebih aman dalam batas-batas kemampuan yang ditentukan.

b) Janganlah menggunakan perkakas listrik yang tombolnya rusak. Perkakas listrik yang tidak bisa dihidupkan atau dimatikan, berbahaya dan harus direparasikan.

c) Tariklah steker dari stopkontak dan/atau keluarkan aki, sebelum Anda melakukan penyetalan pada perkakas listrik, mengganti alat-alat kerja atau sebelum menyimpan perkakas listrik. Tindakan keselamatan kerja ini mengurangi bahaya perkakas listrik hidup secara tidak disengaja.

d) Simpanlah perkakas listrik yang tidak digunakan di luar jangkauan anak-anak. Janganlah mengizinkan orang-orang yang tidak mengenal perkakas listrik ini atau yang belum membaca petunjuk-petunjuk ini, menggunakan perkakas listrik ini. Perkakas listrik bisa menjadi berbahaya, jika digunakan oleh orang-orang yang tidak mengenalnya.

e) **Rawatlah perkakas listrik dengan seksama. Periksalah, apakah bagian-bagian perkakas listrik yang bergerak berfungsi dengan baik dan tidak tersangkut, apakah ada bagian-bagian yang patah atau rusak sedemikian, sehingga dapat mempengaruhi jalannya perkakas listrik. Biarkan bagian-bagian perkakas yang rusak direparasikan, sebelum Anda mulai menggunakan perkakas listrik.**

Banyak kecelakaan terjadi karena perkakas listrik tidak dirawat dengan seksama.

f) **Perhatikan supaya alat-alat pemotong selalu tajam dan bersih.** Alat-alat pemotong dengan mata-mata pemotong yang tajam dan dirawat dengan seksama tidak mudah tersangkut dan lebih mudah dikendalikan.

g) **Gunakanlah semua perkakas listrik, aksesori, alat-alat kerja dsb. sesuai dengan petunjuk-petunjuk. Perhatikan syarat-syarat kerja dan macam pekerjaan yang dilakukan.** Penggunaan perkakas listrik untuk macam pekerjaan yang tidak cocok dengan kegunaannya bisa mengakibatkan keadaan yang berbahaya.

5) Servis

a) **Biarkan perkakas listrik Anda direparasikan hanya oleh orang-orang ahli yang berpengalaman dan hanya dengan menggunakan suku cadang yang asli.** Dengan demikian terjamin keselamatan kerja dengan perkakas listrik ini secara sinambung.

Petunjuk-petunjuk untuk keselamatan kerja untuk mesin frais

- ▶ **Kecepatan putaran yang diizinkan dari alat kerja harus paling sedikit sebesar kecepatan putaran maksimal yang tercantum pada perkakas listrik.** Aksesori yang diputar lebih cepat dari nilai yang diizinkan, bisa menjadi rusak karenanya.
- ▶ **Mata frais atau aksesori lainnya harus duduk pas dalam pemegang alat kerja (cekaman) dari perkakas listrik Anda.** Alat kerja-alat kerja yang tidak duduk pas dalam pemegang alat kerja dari perkakas listrik, berputar secara tidak memusat, bervibrasi sangat keras dan bisa mengakibatkan perkakas listrik tidak bisa dikendalikan.
- ▶ **Hidupkan dahulu perkakas listrik, baru kemudian perkakas listrik didekatkan pada benda yang dikerjakan.** Jika tidak demikian ada bahaya perkakas listrik membanting jika alat kerja tersangkut dalam benda yang dikerjakan.
- ▶ **Janganlah sekali-kali memfrais melalui benda-benda dari logam, paku-paku atau sekrup-sekrup.** Mata frais bisa menjadi rusak dan mengakibatkan vibrasi yang keras.
- ▶ **Peganglah perkakas listrik hanya pada pegangan yang terisolir, jika Anda melakukan pekerjaan di mana alat kerjanya bisa terkena pada saluran listrik yang tidak terlihat atau kabelnya sendiri.** Sentuhan pada kabel yang bertegangan dapat mengakibatkan bagian-bagian logam dari perkakas listrik juga bertegangan dan lalu mengakibatkan kontak listrik.
- ▶ **Gunakanlah alat detektor logam yang cocok untuk mencari kabel dan pipa pengadaaan yang tidak terlihat, atau hubungi perusahaan pengadaan setempat.** Sentuhan dengan kabel-kabel listrik bisa mengakibatkan api dan kontak listrik. Pipa gas yang dirusak bisa mengakibatkan ledakan. Pipa air yang dirusak mengakibatkan barang-barang menjadi rusak.
- ▶ **Janganlah menggunakan mata frais yang tumpul atau rusak.** Mata frais yang tumpul atau rusak mengakibatkan gesekan yang lebih besar, bisa tersangkut dan mengakibatkan putaran yang tidak rata.
- ▶ **Usahakan supaya benda yang dikerjakan tidak goyang.** Benda yang ditahan dalam alat pemegang atau bais lebih mantap daripada benda yang dipegang dengan tangan.

- ▶ **Sebelum meletakkan perkakas listrik, tunggulah sampai perkakas berhenti memutar.** Alat kerja bisa tersangkut dan membuat perkakas listrik tidak bisa dikendalikan.
- ▶ **Janganlah menggunakan perkakas listrik, jika kabelnya rusak. Janganlah menyentuh kabel yang rusak dan tariklah steker dari stopkontak, jika kabel menjadi rusak selama penggunaan perkakas listrik.** Kabel yang rusak membuat risiko terjadinya kontak listrik menjadi lebih besar.

Penjelasan tentang cara berfungsi



Bacalah semua petunjuk-petunjuk untuk keselamatan kerja dan petunjuk-petunjuk untuk penggunaan. Kesalahan dalam menjalankan petunjuk-petunjuk untuk keselamatan kerja dan petunjuk-petunjuk untuk penggunaan dapat mengakibatkan kontak listrik, kebakaran dan/atau luka-luka yang berat.

Bukalah halaman lipatan dengan gambar dari perkakas dan biarkan halaman ini terbuka selama Anda membaca petunjuk-petunjuk untuk penggunaan.

Penggunaan perkakas listrik

Perkakas listrik ini cocok untuk memfrais alur, pinggiran-pinggiran, profil-profil dan lubang-lubang panjang di kayu, bahan sintetik dan bahan ringan untuk bangunan serta untuk memfrais sesuai dengan contoh, dengan cara meletakkannya pada permukaan yang dikerjakan.

Bagian-bagian pada gambar

Nomor-nomor dari bagian-bagian sesuai dengan nomor-nomor pada gambar perkakas listrik pada halaman bergambar.

- 1 Satuan penggerak
- 2 Rumah frais
- 3 Roda untuk penyetelan secara halus kedalaman memfrais
- 4 Mata frais*
- 5 Mur pengunci cekaman
- 6 Alas peluncur
- 7 Pelat dasar
- 8 Skala untuk penyetelan kedalaman memfrais
- 9 Tombol penahan poros kerja
- 10 Tuas penegang
- 11 Tombol untuk menghidupkan dan mematikan
- 12 Cekaman
- 13 Pemegang alat kerja
- 14 Kunci pas (17 mm)
- 15 Penutup rumah frais
- 16 Sarung penyalinan*
- 17 Mistar sejajar
- 18 Baut kupu-kupu untuk menahan pembatas
- 19 Baut kupu-kupu untuk mistar sejajar
- 20 Mistar berbentuk batang siku*
- 21 Rol peluncur
- 22 Baut kupu-kupu untuk menahan penyetelan mendatar
- 23 Baut kupu-kupu untuk penyetelan mendatar dari mistar berbentuk batang siku
- 24 Mur untuk penyetelan tegangan

***Aksesori yang ada pada gambar atau yang dijelaskan, tidak termasuk pasokan standar. Semua aksesori yang ada bisa Anda lihat dalam program aksesori Bosch.**

Data teknis

Mesin frais vertikal	GMR 1 Professional	
Nomor model		3 601 F0A 0..
Masukan nominal	W	550
Kecepatan putaran tanpa beban	min ⁻¹	33000
Pemegang alat kerja	mm	6
	inci	¼
Berat sesuai dengan EPTA-Procedure 01/2003	kg	1,5
Klasifikasi keamanan		□/II

Data-data berlaku untuk tegangan nominal [U] 230/240 V. Pada tegangan yang lebih rendah dan pada model khusus mancanegara data-data ini bisa berlainan.

Perhatikanlah nomor model perkakas listrik Anda yang tercantum pada label tipe mesin. Nama dagang dari beberapa perkakas listrik bisa berbeda.


Cara memasang

Mengganti alat kerja

- ▶ **Sebelum mulai dengan pekerjaan pada perkakas listrik, tariklah steker dari stopkontak.**
- ▶ **Pada waktu memasang dan mengganti mata frais kami anjurkan supaya Anda memakai sarung tangan pelindung.**

Melepaskan rumah frais (lihat gambar A)

Sebelum memasang mata frais, rumah frais **2** harus dilepaskan dahulu dari satuan penggerak **1**.

- Bukalah dahulu tuas penegang **10** dan putarkan rumah frais **2** dengan tanda ▲ pada simbol  yang ada di satuan penggerak **1**.
- Tariklah satuan penggerak ke atas sampai batas.
- Putarkan satuan penggerak dalam arah yang berlawanan dengan jalannya jarum jam sampai batas dan kemudian satuan penggerak ditarik dari rumah frais.

Mengganti cekaman (lihat gambar B)

Tergantung dari mata frais yang digunakan, sebelum memasang mata frais, mur pengunci cekaman **5** harus digantikan. Jika mur pengunci cekaman yang cocok untuk mata frais telah dipasang, maka ikutilah petunjuk-petunjuk dalam bab „Memasang mata frais“.

Cekaman **12** harus duduk dengan kelonggaran kecil dalam mur pengunci cekaman. Mur pengunci cekaman **5** harus bisa dipasangkan dengan mudah. Mur pengunci cekaman atau cekaman yang rusak harus segera digantikan.

- Tekan tombol penahan poros kerja **9** dan tahan tekanan pada tombol ini. Jika perlu, putarkan sumbu motor dengan tangan sampai mengancing. (lihat gambar C1)
- Lepaskan mur pengunci cekaman **5** dengan cara memutar dengan kunci pas **14** dalam arah yang berlawanan dengan jalannya jarum jam.
- Lepaskan tekanan pada tombol penahan poros kerja.
- Jika perlu, bersihkan semua bagian-bagian yang akan dirakit sebelum merakitkannya, dengan satu kuas yang lunak atau dengan cara meniup dengan udara bertekanan.
- Pasangkan mur pengunci cekaman yang baru pada pemegang alat kerja **13**.
- Putarkan mur pengunci cekaman, tetapi jangan sampai terlalu kencang.
- ▶ **Janganlah sekali-kali mengencangkan cekaman dengan mur pengunci cekaman, jika belum terpasang mata frais.** Cekaman bisa menjadi rusak karenanya.

Memasang mata frais (lihat gambar-gambar C1 – C2)

Tergantung dari hasil pekerjaan yang diharapkan ada tersedia mata frais dalam berbagai macam dan mutu.

Mata frais dari baja cepat (HSS) cocok untuk mengerjakan bahan-bahan yang lunak, seperti misalnya kayu lunak dan bahan sintetik.

Mata frais dengan mata pisau baja intan (HM) khusus cocok untuk mengerjakan bahan-bahan yang keras dan abrasif seperti misalnya kayu keras dan aluminium.

Mata frais-mata frais yang asli yang termasuk dalam program aksesoris dari Bosch bisa Anda beli di agen penjualan Bosch.



Pasangkan hanya mata frais-mata frais yang mulus dan bersih.

- Tekan tombol penahan poros kerja **9** dan tahan tekanan pada tombol ini. Jika perlu, putarkan sumbu motor dengan tangan sampai mengancing. (lihat gambar C1)
- Lepaskan mur pengunci cekaman **5** dengan cara memutar dengan kunci pas **14** dalam arah yang berlawanan dengan jalannya jarum jam. (lihat gambar C2)
- Dorong mata frais ke dalam cekaman. Gagang mata frais paling sedikit harus masuk ke dalam cekaman sebanyak 20 mm.
- Kencangkan kembali mur pengunci cekaman dengan cara memutar dalam arah jalannya jarum jam.
- Lepaskan tekanan pada tombol penahan poros kerja.

► **Janganlah sekali-kali mengencangkan cekaman dengan mur pengunci cekaman, jika belum terpasang mata frais.** Cekaman bisa menjadi rusak karenanya.

Memasang rumah frais (lihat gambar D)

Untuk melakukan pekerjaan memfrais, rumah frais **2** harus dipasangkan kembali pada satuan penggerak **1**.

- Bukakan tuas penegang **10** pada satuan penggerak, jika tuas ini tertutup.
- Cocokkan kedua panah ganda pada satuan penggerak dan rumah frais **2** sampai berhadapan.
- Dorongkan satuan penggerak ke dalam rumah frais dan putarkan satuan penggerak dalam arah jalannya jarum jam sampai tanda ▲ cocok pada simbol .
- Lanjutkan mendorong satuan penggerak ke dalam rumah frais.
- Setelah selesai memasang, putarkan rumah frais dengan tanda ▲ pada simbol  di satuan penggerak.
- Tutup tuas penegang.

► **Setelah selesai memasang, periksalah selalu apakah satuan penggerak sudah kencang duduknya dalam rumah frais.**

Jika perlu, tegangan dasar dari tuas penegang **10** dirubah (lihat „Merubah penyetelan tuas penegang“, halaman 51).

Memasang penutup rumah frais (lihat gambar E)

Jika mesin frais vertikal digunakan secara intensif, rumah frais menjadi panas. Untuk melindungi tangan kita, dalam hal demikian bisa dipasangkan satu penutup rumah frais (aksesori).

- Lepaskan tuas penegang **10**.
- Pasangkan penutup rumah frais **15** dari atas pada rumah frais **2**.
- Sekrupkan tuas penegang sedemikian sehingga jika tuas penegang tertutup, satuan penggerak **1** ditahan dengan baik dalam rumah frais.

Penghisapan debu/serbuk

Debu dari bahan-bahan seperti misalnya cat yang mengandung timbel (timah hitam), beberapa jenis kayu, bahan mineral dan logam bisa berbahaya bagi kesehatan. Menyentuh atau menghirup debu-debu ini bisa mengakibatkan reaksi alergi dan/atau penyakit saluran pernafasan dari orang yang menggunakan mesin atau orang yang berada di dekatnya. Beberapa debu tertentu seperti misalnya debu kayu pohon quercus atau pohon fagus silvatica dianggap bisa mengakibatkan penyakit kanker, terutama dalam campuran dengan bahan-bahan tambahan untuk pengolahan kayu (kromat, obat pengawet kayu). Bahan-bahan yang mengandung asbestos hanya boleh dikerjakan oleh orang-orang yang ahli.

- Perhatikanlah supaya ada pertukaran udara di tempat kerja.
- Kami anjurkan supaya Anda memakai kedok anti debu dengan saringan (filter) kelas P2.



► **Taatilah peraturan-peraturan untuk bahan-bahan yang dikerjakan yang berlaku di negara Anda.**

Penggunaan


Menyetel kedalaman memfrais (lihat gambar F)

- ▶ **Menyetel kedalaman memfrais hanya boleh dilakukan pada perkakas listrik yang dalam keadaan mati.**

Untuk penyetelan kasar kedalaman memfrais:

- Letakkan perkakas listrik dengan mata frais yang sudah dipasangkan pada benda yang akan dikerjakan.
- Bukakan tuas pengang **10** pada satuan penggerak, jika tuas ini tertutup.
- Putarkan rumah frais **2** dengan tanda ▲ pada simbol  dan biarkan satuan penggerak ke bawah perlahan-lahan, sampai mata frais terkena pada benda yang akan dikerjakan.
- Tutup tuas pengang.
- Bacakan bilangan pada skala **8** dan tuliskan nilainya (penyetelan nol). Tambahkan pada nilai ini kedalaman memfrais yang dikehendaki.
- Buka tuas pengang dan setelkan satuan penggerak pada nilai skala yang telah dihitung.
- Putarkan rumah frais dengan tanda ▲ pada simbol  dan tutupkan tuas pengang kembali.
- Periksaah penyetelan untuk kedalaman memfrais yang telah dilakukan dengan cara uji coba dan betulkan jika belum betul.

Untuk penyetelan halus dari kedalaman memfrais:

- Setelkan satuan penggerak dengan tuas pengang **10** yang dalam keadaan terbuka dengan tanda ▲ pada simbol .
- Setelkan kedalaman memfrais yang dikehendaki dengan roda **3**.
- Tutup tuas pengang.

Cara penggunaan

- ▶ **Perhatikan tegangan jaringan listrik! Tegangan jaringan listrik harus sesuai dengan tegangan listrik yang tercantum pada label tipe perkakas listrik.**

Menghidupkan/mematikan perkakas listrik

Untuk **menghidupkan** perkakas listrik, pasangkan tombol untuk menghidupkan dan mematikan **11** pada **I**.


Untuk **mematikan** perkakas listrik, pasangkan tombol untuk menghidupkan dan mematikan **11** pada **0**.

Petunjuk-petunjuk untuk pemakaian

- ▶ **Lindungilah mata frais terhadap benturan dan pukulan.**

Arah dan cara memfrais (lihat gambar G)

- ▶ **Arah memfrais harus selalu berlawanan dengan arah putar dari mata frais 4 (gerak berlawanan).** Jika arah memfrais sesuai dengan arah putar dari mata frais (gerak sama), perkakas listrik bisa terpelanting dari tangan penggunanya.

- ▶ **Gunakanlah perkakas listrik ini hanya dengan rumah frais 2 yang sudah dipasangkan.** Bisa terjadi luka-luka jika perkakas listrik tidak bisa dikendalikan.
- ▶ **Sebelum mulai memfrais, periksaah apakah rumah frais dengan tanda ▲ berada pada simbol  di satuan penggerak 1.**

Petunjuk: Perhatikanlah bahwa mata frais **4** selalu menonjol dari pelat dasar **7**. Janganlah merusakkan sablon atau benda yang dikerjakan.

- Setelkan kedalaman memfrais yang dikehendaki (lihat „Menyetel kedalaman memfrais“, halaman 49).
- Hidupkan perkakas listrik dan letakkan perkakas listrik pada bagian benda yang akan dikerjakan.
- Lakukan pekerjaan memfrais dengan dorongan ke depan yang rata.
- Setelah pekerjaan memfrais rampung, matikan perkakas listrik.
- ▶ **Janganlah meletakkan perkakas listrik, jika mata frais belum berhenti sama sekali.** Alat kerja-alat kerja yang belum berhenti memutar bisa mengakibatkan luka-luka.

Memfrais dengan sarung penyalinan (lihat gambar-gambar H1–H3)

Dengan menggunakan sarung penyalinan **16** Anda bisa menyalin potongan berliku-liku dari contoh atau sablon pada benda yang dikerjakan. Pilihlah sarung penyalinan yang cocok, tergantung dari ketebalan sablon atau contoh. Berhubung sarung penyalinan menonjol ke luar, maka sablon harus mempunyai ketebalan paling sedikit sebesar 8 mm. (lihat gambar H1)

► Pilihlah mata frais dengan diameter yang lebih kecil daripada diameter sarung penyalinan bagian dalam.

- Lepaskan ke empat baut berbentuk silinder di bagian bawah dari alas peluncur **6** dan lepaskan alas peluncur.
- Pasangkan sarung penyalinan **16** ke dalam alas peluncur. (lihat gambar H2)
- Sekrupkan kembali alas peluncur pada pelat dasar **7** dengan kelonggaran. Alas peluncur harus bisa bergoyang dengan bebas.

Supaya jarak antara pusat mata frais dan pinggiran sarung penyalinan selalu sama, jika perlu sarung penyalinan dan alas peluncur harus dicocokkan pusatnya.

- Pasangkan alas peluncur sedemikian sehingga mata frais dan sarung penyalinan berada di pusat dari lubang di tengah alas peluncur. (lihat gambar H3)
- Tahan alas peluncur dalam kedudukan ini dan putarkan baut-baut sampai kencang.

Untuk memfrais dengan sarung penyalinan **16**:

- Dekatkan perkakas listrik dengan sarung penyalinan **16** pada sablon.
- Dorongkan perkakas listrik dengan sarung penyalinan yang menonjol ke luar dengan tekanan dari samping sepanjang sablon.

Memfrais sisi atau profil (lihat gambar I)

Pada pekerjaan memfrais sisi atau profil tanpa mistar sejajar, maka mata frais yang dipakai harus memiliki ujung bundar atau bantalan peluru.

- Dekatkan perkakas listrik yang sudah dihidupkan dari samping pada benda yang akan dikerjakan sampai ujung bundar atau bantalan peluru dari mata frais terkena pada sisi dari benda yang akan dikerjakan.

- Dorongkan perkakas listrik sepanjang sisi benda yang dikerjakan. Perhatikan supaya mata frais berada dalam kedudukan bersiku-siku. Tekanan yang terlalu besar bisa merusakkan sisi benda yang dikerjakan.

Memfrais dengan mistar sejajar (lihat gambar K)

Untuk memfrais sisi-sisi yang sejajar Anda bisa memasangkan mistar sejajar **17** sebagai pembatas kesejajaran.

- Pasangkan mistar sejajar **17** pada rumah frais **2** dengan baut kupu-kupu **18**.
- Setelkan jarak dari sisi yang dikehendaki dengan baut kupu-kupu pada mistar sejajar **19**.
- Dorongkan perkakas listrik yang sudah dihidupkan sepanjang sisi benda yang dikerjakan dengan tekanan ke depan dan tekanan dari samping yang sama pada mistar sejajar.

Memfrais dengan mistar berbentuk batang siku (lihat gambar L)

Dengan mistar berbentuk batang siku **20** bisa dikerjakan pekerjaan memfrais sisi-sisi dengan mata frais tanpa ujung bundar atau bantalan peluru.

- Pasangkan mistar berbentuk batang siku pada rumah frais **2** dengan baut kupu-kupu **18**.
- Dorongkan perkakas listrik sepanjang sisi dari benda yang dikerjakan dengan tekanan ke depan yang sama.

Jarak dari samping: Untuk merubah banyaknya bahan yang difrais, jarak dari samping antara benda yang dikerjakan dan rol pengendali **21** pada mistar berbentuk batang siku **20** bisa dirubah.

- Lepaskan baut kupu-kupu **22**, setelkan jarak dari samping yang diperlukan dengan cara memutar baut kupu-kupu **23** dan kemudian kencangkan kembali baut kupu-kupu **22**.

Ketinggian: Setelkan kedudukan vertikal dari mistar berbentuk batang siku sesuai dengan mata frais yang digunakan dan ketebalan benda yang akan dikerjakan.

- Lepaskan baut kupu-kupu **18** pada mistar berbentuk batang siku, dorongkan mistar berbentuk batang siku ke kedudukan yang diperlukan dan kemudian kencangkan kembali baut kupu-kupu.

Merubah penyetelan tuas penegang (lihat gambar M)

Jika satuan penggerak **1** tidak duduk secara kencang di dalam rumah frais, ketegangan dari tuas penegang **10** harus dirubah penyetalannya.

- Buka tuas penegang.
- Putarkan mur untuk penyetelan tegangan **24** dengan kunci pas (8 mm) kira-kira 45° dalam arah jalannya jarum jam.
- Kemudian tutup kembali tuas penegang.
- Periksa apakah satuan penggerak sudah baik duduknya. Janganlah mengencangkan mur terlalu keras.

Rawatan dan servis

Rawatan dan kebersihan

- ▶ **Sebelum mulai dengan pekerjaan pada perkakas listrik, tariklah steker dari stopkontak.**
- ▶ **Perkakas listrik dan lubang ventilasi harus selalu dibersihkan supaya perkakas bisa digunakan dengan baik dan aman.**

Jika kabel listrik harus digantikan, pekerjaan ini harus dilakukan oleh Bosch atau Service Center untuk perkakas listrik Bosch yang resmi, supaya keselamatan kerja selalu terjamin.

Jika pada suatu waktu perkakas listrik ini tidak bisa berjalan meskipun telah diproduksi dan diperiksa dengan seksama, maka reparasinya harus dilakukan oleh Service Center perkakas listrik Bosch yang resmi.

Jika Anda hendak menanyakan sesuatu atau memesan suku cadang, sebutkan selalu nomor model yang terdiri dari 10 angka dan tercantum pada label tipe perkakas.

Layanan pasca beli dan konsultasi bagi pelanggan

Layanan pasca beli Bosch menjawab semua pertanyaan Anda tentang reparasi dan perawatan serta tentang suku cadang produk ini. Gambar tiga dimensi dan informasi tentang suku cadang bisa Anda lihat di:

www.bosch-pt.com

Tim konsultan Bosch dengan senang hati membantu Anda pada pembelian, penggunaan dan penyetelan produk ini dan aksesorinya.

Indonesia

PT. Multi Tehaka
Kawasan Industri Pulogadung
Jalan Rawa Gelam III No. 2
Jakarta 13930
Indonesia
Tel.: +62 (21) 4 60 12 28
Fax: +62 (21) 46 82 68 23
E-Mail: sales@multitehaka.co.id
www.multitehaka.co.id

Cara membuang

Perkakas listrik, aksesoris dan kemasan sebaiknya didaur ulang sesuai dengan upaya untuk melindungi lingkungan hidup.

Perubahan adalah hak Bosch.

Các Nguyên Tắc An Toàn

Cảnh báo tổng quát cách sử dụng an toàn dụng cụ điện cầm tay

⚠ CẢNH BÁO Đọc kỹ mọi cảnh báo an toàn và hướng dẫn. Không tuân thủ mọi

cảnh báo và hướng dẫn được liệt kê dưới đây có thể bị điện giật, gây cháy và/hoặc bị thương tật nghiêm trọng.

Hãy giữ tất cả tài liệu về cảnh báo và hướng dẫn để tham khảo về sau.

Thuật ngữ “dụng cụ điện cầm tay” trong phần cảnh báo là đề cập đến sự sử dụng dụng cụ điện cầm tay của bạn, loại sử dụng điện nguồn (có dây cắm điện) hay vận hành bằng pin (không dây cắm điện).

1) Khu vực làm việc an toàn

- Giữ nơi làm việc sạch và đủ ánh sáng.** Nơi làm việc bừa bộn và tối tăm dễ gây ra tai nạn.
- Không vận hành dụng cụ điện cầm tay trong môi trường dễ gây nổ, chẳng hạn như nơi có chất lỏng dễ cháy, khí đốt hay rác.** Dụng cụ điện cầm tay tạo ra các tia lửa nên có thể làm rác bén cháy hay bốc khói.
- Không để trẻ em hay người đến xem đứng gần khi vận hành dụng cụ điện cầm tay.** Sự phân tâm có thể gây ra sự mất điều khiển.

2) An toàn về điện

- Phích cắm của dụng cụ điện cầm tay phải thích hợp với ổ cắm. Không bao giờ được cải biến lại phích cắm dưới mọi hình thức. Không được sử dụng phích tiếp hợp nối tiếp đất (dây mát).** Phích cắm nguyên bản và ổ cắm đúng loại sẽ làm giảm nguy cơ bị điện giật.
- Tránh không để thân thể tiếp xúc với đất hay các vật có bề mặt tiếp đất như đường ống, lò sưởi, hàng rào và tủ lạnh.** Có nhiều nguy cơ bị điện giật hơn nếu cơ thể bạn tiếp xúc với đất.
- Không được để dụng cụ điện cầm tay ngoài mưa hay ở tình trạng ẩm ướt.** Nước vào máy sẽ làm tăng nguy cơ bị điện giật.

d) Không được lạm dụng dây dẫn điện.

Không bao giờ được nắm dây dẫn để xách, kéo hay rút phích cắm dụng cụ điện cầm tay. Không để dây gần nơi có nhiệt độ cao, dầu nhớt, vật nhọn bén hay bộ phận chuyển động. Làm hỏng hay cuộn rối dây dẫn làm tăng nguy cơ bị điện giật.

e) Khi sử dụng dụng cụ điện cầm tay ngoài trời, dùng dây nối thích hợp cho việc sử dụng ngoài trời.

Sử dụng dây nối thích hợp cho việc sử dụng ngoài trời làm giảm nguy cơ bị điện giật.

f) Nếu việc sử dụng dụng cụ điện cầm tay ở nơi ẩm ướt là không thể tránh được, dùng thiết bị ngắt mạch tự động (RCD) bảo vệ nguồn.

Sử dụng thiết bị ngắt mạch tự động RCD làm giảm nguy cơ bị điện giật.

3) An toàn cá nhân

- Hãy tỉnh táo, biết rõ mình đang làm gì và hãy sử dụng ý thức khi vận hành dụng cụ điện cầm tay.** Không sử dụng dụng cụ điện cầm tay khi đang mệt mỏi hay đang bị tác động do chất gây nghiện, rượu hay được phẩm gây ra. Một thoáng mất tập trung khi đang vận hành dụng cụ điện cầm tay có thể gây thương tích nghiêm trọng cho bản thân.
- Sử dụng trang bị bảo hộ cá nhân. Luôn luôn đeo kính bảo vệ mắt.** Trang bị bảo hộ như khẩu trang, giày chống trượt, nón bảo hộ, hay dụng cụ bảo vệ tai khi được sử dụng đúng nơi đúng chỗ sẽ làm giảm nguy cơ thương tật cho bản thân.
- Phòng tránh máy khởi động bất ngờ. Bảo đảm công tắc máy ở vị trí tắt trước khi cắm vào nguồn điện và/hay lắp pin vào, khi nhắc máy lên hay khi mang xách máy.** Ngáng ngón tay vào công tắc máy để xách hay kích hoạt dụng cụ điện cầm tay khi công tắc ở vị trí mở dễ dẫn đến tai nạn.
- Lấy mọi chìa hay khóa điều chỉnh ra trước khi mở điện dụng cụ điện cầm tay.** Khóa hay chìa còn gắn dính vào bộ phận quay của dụng cụ điện cầm tay có thể gây thương tích cho bản thân.

- e) **Không rướn người. Luôn luôn giữ tư thế đứng thích hợp và thẳng bằng.** Điều này tạo cho việc điều khiển dụng cụ điện cầm tay tốt hơn trong mọi tình huống bất ngờ.
 - f) **Trang phục thích hợp. Không mặc quần áo rộng lủng thùng hay mang trang sức. Giữ tóc, quần áo và găng tay xa khỏi các bộ phận chuyển động.** Quần áo rộng lủng thùng, đồ trang sức hay tóc dài có thể bị cuốn vào các bộ phận chuyển động.
 - g) **Nếu có các thiết bị đi kèm để nối máy hút bụi và các phụ kiện khác, bảo đảm các thiết bị này được nối và sử dụng tốt.** Việc sử dụng các thiết bị gom hút bụi có thể làm giảm các độc hại liên quan đến bụi gây ra.
- 4) **Sử dụng và bảo dưỡng dụng cụ điện cầm tay**
- a) **Không được ép máy. Sử dụng dụng cụ điện cầm tay đúng loại theo đúng ứng dụng của bạn.** Dụng cụ điện cầm tay đúng chức năng sẽ làm việc tốt và an toàn hơn theo đúng tiến độ mà máy được thiết kế.
 - b) **Không sử dụng dụng cụ điện cầm tay nếu như công tắc không tắt và mở được.** Bất kỳ dụng cụ điện cầm tay nào mà không thể điều khiển được bằng công tắc là nguy hiểm và phải được sửa chữa.
 - c) **Rút phích cắm ra khỏi nguồn điện và/hay pin ra khỏi dụng cụ điện cầm tay trước khi tiến hành bất kỳ điều chỉnh nào, thay phụ kiện, hay cất dụng cụ điện cầm tay.** Các biện pháp ngăn ngừa như vậy làm giảm nguy cơ dụng cụ điện cầm tay khởi động bất ngờ.
 - d) **Cất giữ dụng cụ điện cầm tay không dùng tới nơi trẻ em không lấy được và không cho người chưa từng biết dụng cụ điện cầm tay hay các hướng dẫn này sử dụng dụng cụ điện cầm tay.** Dụng cụ điện cầm tay nguy hiểm khi ở trong tay người chưa được chỉ cách sử dụng.

- e) **Bảo quản dụng cụ điện cầm tay. Kiểm tra xem các bộ phận chuyển động có bị sai lệch hay kẹt, các bộ phận bị rạn nứt và các tình trạng khác có thể ảnh hưởng đến sự vận hành của máy. Nếu bị hư hỏng, phải sửa chữa máy trước khi sử dụng.** Nhiều tai nạn xảy ra do bảo quản dụng cụ điện cầm tay tồi.
 - f) **Giữ các dụng cụ cất bện và sạch.** Bảo quản đúng cách các dụng cụ cất có cạnh cất bện làm giảm khả năng bị kẹt và dễ điều khiển hơn.
 - g) **Sử dụng dụng cụ điện cầm tay, phụ kiện, đầu cài v. v., đúng theo các chỉ dẫn này, hãy lưu ý đến điều kiện làm việc và công việc phải thực hiện.** Sử dụng dụng cụ điện cầm tay khác với mục đích thiết kế có thể tạo nên tình huống nguy hiểm.
- 5) **Bảo dưỡng**
- a) **Đưa dụng cụ điện cầm tay của bạn đến thợ chuyên môn để bảo dưỡng, chỉ sử dụng phụ tùng đúng chủng loại để thay.** Điều này sẽ đảm bảo sự an toàn của máy được giữ nguyên.

Cảnh Báo An Toàn cho Máy Phay (Máy Bào Soi)

- ▶ **Tốc độ cho phép của mũi phay ít nhất là phải cao bằng tốc độ tối đa được liệt kê trên dụng cụ điện.** Phụ kiện mà quay nhanh hơn tốc độ cho phép có thể bị làm cho hỏng.
- ▶ **Mũi phay hay các phụ tùng khác phải vừa khít chính xác với phần cặp dụng cụ (cổ góp) của máy bạn.** Mũi phay mà không vừa khít chính xác với phần cặp dụng cụ của máy sẽ quay không đều, rung lắc dữ dội và có thể dẫn đến sự mất kiểm soát.
- ▶ **Chỉ cho máy gia công vật liệu khi máy đã hoạt động.** Nếu không làm vậy thì sẽ có nguy cơ bị giật ngược do dụng cụ cắt bị kẹp chặt trong vật gia công.
- ▶ **Không bao giờ được cắt càn qua các vật kim loại, đinh hay vít.** Mũi phay có thể bị làm hỏng và làm gia tăng sự rung lắc.

54 | Tiếng Việt

- ▶ **Chỉ nắm máy nơi nắm có bề mặt cách điện khi thực hiện công việc nơi mà dụng cụ cắt có thể chạm vào dây điện âm hay chính dây dẫn điện của máy.** Tiếp xúc với dây “sống” sẽ làm các bộ phận kim loại không được bao bọc của dụng cụ “có điện” và giết người vận hành máy.
- ▶ **Sử dụng thiết bị dò tìm thích hợp để xác định các đường hay ống dẫn công ích nằm âm trong khu vực làm việc hay liên hệ với cty công trình phúc lợi để nhờ giúp đỡ.** Tiếp xúc với dây điện có thể dẫn đến cháy và bị điện giật. Chạm đường dẫn khí đốt có thể gây nổ. Làm thủng ống dẫn nước có thể làm hư hại tài sản hay có thể gây ra điện giật.
- ▶ **Không sử dụng mũi phay đã cùn hay hư hỏng.** Mũi phay đã cùn hay hư hỏng làm tăng sự ma sát, có thể bị kẹt chặt và rời dẫn đến sự mất thăng bằng.
- ▶ **Kẹp chặt vật gia công.** Vật gia công được kẹp bằng một thiết bị kẹp hay bằng ê-tô thì vững chắc hơn giữ bằng tay.
- ▶ **Luôn luôn đợi cho máy hoàn toàn ngừng hẳn trước khi đặt xuống.** Dụng cụ lắp vào máy có thể bị kẹt chặt dẫn đến việc dụng cụ điện cầm tay bị mất điều khiển.
- ▶ **Không bao giờ được sử dụng máy có dây dẫn bị hỏng. Không được chạm vào dây dẫn bị hỏng và kéo phích cắm điện nguồn ra trong lúc vận hành mà dây dẫn bị hỏng.** Dây dẫn bị hỏng làm tăng nguy cơ bị điện giật.

Mô tả chức năng



Đọc kỹ mọi cảnh báo an toàn và mọi hướng dẫn. Không tuân thủ mọi cảnh báo và hướng dẫn được liệt kê dưới đây có thể bị điện giật, gây cháy và/hay bị thương tật nghiêm trọng.

Trong khi đọc các hướng dẫn sử dụng, mở trang gấp hình ảnh máy và để mở nguyên như vậy.

Dành sử dụng cho

Máy được thiết kế để soi rãnh, viền cạnh, bắt cạnh xiên và lỗ hình ovan cũng như soi chép hình trên gỗ, nhựa dẻo và các loại vật liệu xây dựng nhẹ trong khi vẫn nằm vững nguyên trên vật gia công.

Biểu trưng của sản phẩm

Sự đánh số các biểu trưng của sản phẩm là để tham khảo hình minh họa của máy trên trang hình ảnh.

- 1 Động cơ máy
- 2 Khuôn bao phay
- 3 Núm điều khiển sự điều chỉnh chính xác độ sâu phay
- 4 Mũi phay*
- 5 Mâm cặp
- 6 Tấm hướng dòng
- 7 Chân đế khuôn bao
- 8 Thước chia độ dùng điều chỉnh độ sâu phay
- 9 Nút khóa trục
- 10 Cần khóa gài
- 11 Công tắc Tắt/Mở
- 12 Cổ góp
- 13 Phần lắp dụng cụ
- 14 Chìa vận miệng mở (17 mm)
- 15 Ống bọc khuôn bao phay
- 16 Bạc dẫn hướng*
- 17 Dỡng cặp cạnh
- 18 Bu-long tai hồng bắt bộ phận chặn cạnh
- 19 Bu-long tai hồng của đỡng cặp cạnh
- 20 Bộ phận dẫn hướng bánh lăn*
- 21 Bánh lăn
- 22 Bu-long tai hồng để ráp bộ phận định hình ngang
- 23 Bu-long tai hồng định hình ngang của bộ phận dẫn hướng bánh lăn
- 24 Đai ốc điều chỉnh độ siết căng

*Phụ tùng được trình bày hay mô tả không phải là một phần của tiêu chuẩn hàng hóa được giao kèm theo sản phẩm. Bạn có thể tham khảo tổng thể các loại phụ tùng, phụ kiện trong chương trình phụ tùng của chúng tôi.

Thông số kỹ thuật

Máy phay định hình	GMR 1 Professional	
Mã số máy		3 601 F0A 0..
Công suất vào danh định	W	550
Tốc độ không tải	v/p	33000
Phần lắp dụng cụ	mm	6
	inch	¼
Trọng lượng theo Qui trình EPTA-Procedure 01/2003 (chuẩn EPTA 01/2003)	kg	1,5
Cấp độ bảo vệ	□/II	
<p>Các giá trị đã cho có hiệu lực cho điện thế danh định [U] 230/240 V. Đối với điện thế thấp hơn và các loại máy dành riêng cho một số quốc gia, các giá trị này có thể thay đổi.</p> <p>Xin vui lòng xem kỹ mã số máy trên nhãn máy của bạn. Tên thương mại của từng máy có thể khác nhau.</p>		


Sự lắp vào

Thay Dụng Cụ

- ▶ Trước khi tiến hành bất cứ việc gì trên máy, kéo phích cắm điện nguồn ra.
- ▶ Xin đề nghị nên mang găng tay bảo hộ vào khi lắp hay thay mũi phay.

Tháo Khuôn Bao Phay (xem hình A)

Trước khi có thể lắp mũi phay vào, phải tháo khuôn bao phay 2 ra khỏi động cơ máy 1 trước.

- Mở cần khóa gài 10 và xoay khuôn bao phay 2 sao cho ▲ nơi có ký hiệu nằm cùng hàng với  biểu tượng trên động cơ máy 1.
- Kéo hết động cơ máy lên phía trên.
- Xoay hết động cơ máy ngược chiều đồng hồ và rồi kéo động cơ máy ra khỏi khuôn bao phay.

Thay Cổ Góp (xem hình B)

Tùy theo loại máy phay định hình đang sử dụng, có thể phải thay đổi Mâm cặp 5 trước khi lắp mũi phay vào.

Nếu cổ góp hiện lắp của máy phay định hình của bạn là đúng loại, hay tuân theo các bước thao tác trong phần “Lắp Mũi Phay”.

Cổ góp 12 về cơ bản là phải hoạt động được khi gắn vào mâm cặp. Mâm cặp 5 phải lắp vào được một cách dễ dàng. Nếu mâm cặp hay cổ góp bị hỏng, cần phải thay ra ngay.

- Nhấn nút khóa trục 9 và giữ nhấn. Nếu cần, xoay trục động cơ bằng tay cho đến khi vào khớp khóa. (xem hình C1)
- Tháo mâm cặp 5 ra bằng chia vận miệng mở 14 vận ngược chiều đồng hồ.
- Thả nhấn nút khóa trục ra.
- Nếu cần, trước khi lắp các bộ phận vào, dùng một cọ mềm để chải hay dùng khí nén để thổi sạch trước.
- Lắp mâm cặp mới lên trên bộ phận cặp dụng cụ 13.
- Vận mâm cặp chặt lại một cách vừa phải.

▶ **Không được siết chặt mâm cặp của cổ góp mà không lắp mũi phay vào.** Nếu không, cổ góp có thể bị hỏng.

Lắp Mũi Phay (xem các hình C1 – C2)

Tùy theo mục đích ứng dụng, hầu hết các loại mũi phay khác nhau về kiểu dáng và chất lượng hiện đều có bán ở thị trường.

Mũi phay được chế tạo bằng thép gió (HSS) thích hợp để gia công các loại vật liệu mềm. Ví dụ, gỗ mềm và nhựa dẻo.

Mũi phay có đầu cacbua (HM) đặt biệt thích hợp cho vật liệu cứng và chất liệu mài. Ví dụ, nhôm và gỗ cứng.

Bạn có thể mua được các loại mũi phay chính hãng trong chương trình phụ kiện tổng quát của Bosch ở cửa hàng chuyên ngành.

Chỉ sử dụng các mũi phay không tì mấu và ở tình trạng hoàn hảo.

56 | Tiếng Việt

- Nhấn nút khóa trực 9 và giữ nhấn. Nếu cần, xoay trục động cơ bằng tay cho đến khi vào khớp khóa. (xem hình C1)
 - Tháo lỏng mâm cặp ra 5 bằng một chia vận miệng mở 14 vận ngược chiều đồng hồ. (xem hình C2)
 - Lắp mũi phay vào trong cổ góp. Chuôi của mũi phay phải được lắp vào sâu trong cổ góp ít nhất là 20 mm.
 - Vận chặt mâm cặp lại như cũ bằng cách xoay theo chiều đồng hồ.
 - Thả nhấn nút khóa trực ra.
- **Không được siết chặt mâm cặp của cổ góp mà không lắp mũi phay vào.** Nếu không, cổ góp có thể bị hỏng.

Lắp Khuôn Bao Phay (xem hình D)

Để phay, khuôn bao phay 2 phải được lắp lên trên động cơ máy 1 lại như trước.

- Nếu như chưa mở, mở cần khóa gài 10 nằm trên khuôn bao phay ra.
- Sắp xếp cho hai đôi mũi tên trên động cơ máy và trên khuôn bao phay 2 nằm thẳng cùng chiều.
- Lắp động cơ máy vào trong khuôn bao phay và xoay động cơ máy theo chiều đồng hồ cho đến khi ▲ nơi có ký hiệu đối mặt với ■ biểu tượng.
- Lắp động cơ máy sâu hơn vào trong khuôn bao phay.
- Sau khi lắp xong, xoay khuôn bao phay sao cho ▲ nơi có ký hiệu nằm cùng hàng ■ với biểu tượng của động cơ máy.
- Đóng cần khóa gài lại.

► **Sau khi lắp vào, luôn luôn kiểm tra xem động cơ máy có nằm chắc chắn trong khuôn bao phay không.**

Nếu cần thiết, thay đổi độ căng trước của cần khóa gài 10 (xem “Điều Chính Lại Cần Khóa Gài”, trang 59).

Lắp Ống Bọc Khuôn Bao Phay (xem hình E)

Khi sử dụng máy phay định hình ở cường độ cao, khuôn bao phay trở nên rất nóng. Trong trường hợp này, ta có thể lắp ống bọc khuôn bao phay (phụ kiện) để bảo vệ tay.

- Tháo cần khóa gài 10 ra.
- Chụp ống bọc khuôn bao phay 15 lên khuôn bao phay 2 từ trên xuống.
- Lắp cần khóa gài cách sao cho động cơ máy 1 vẫn nằm vững nguyên trong khuôn bao phay khi đóng cần khóa gài lại.

Hút Dăm/Bụi

Mặt bụi từ các vật liệu được sơn phủ ngoài có chứa chì trên một số loại gỗ, khoáng vật và kim loại có thể gây nguy hại đến sức khỏe con người. Đụng chạm hay hít thở các bụi này có thể làm người sử dụng hay đứng gần bị dị ứng và/hoặc gây nhiễm trùng hệ hô hấp.

Một số mặt bụi cụ thể, ví dụ như bụi gỗ sồi hay đậu, được xem là chất gây ung thư, đặc biệt là có liên quan đến các chất phụ gia dùng xử lý gỗ (chất cromat, chất bảo quản gỗ). Có thể chỉ nên để thợ chuyên môn gia công các loại vật liệu có chứa amiăng.

- Tạo không khí thông thoáng nơi làm việc.
- Khuyến nghị nên mang mặt nạ phòng độc có bộ lọc cấp P2.



► **Tuân thủ các qui định của quốc gia bạn liên quan đến loại vật liệu gia công.**

Vận Hành

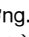
Điều chỉnh Độ Sâu Phay (xem hình F)

- ▶ Chỉ có thể điều chỉnh độ sâu phay khi máy đã được tắt.

Để điều chỉnh độ sâu phay thô, tiến hành như sau:

- Với máy đã lắp mũi phay vào, đặt dụng cụ điện lên trên vật liệu được gia công.
- Nếu như chưa mở, mở cần khóa gài 10 nằm trên khuôn bao phay ra.
- Xoay khuôn bao phay 2 chỗ có ▲ ký hiệu về nơi có  biểu tượng và từ từ hạ động cơ máy xuống cho đến khi mũi phay chạm vào vật liệu gia công.
- Đóng cần khóa gài lại.
- Đọc các trị số đo lường trên thước 8 và chỉnh về không (số không). Đặt chiều sâu phay theo yêu cầu vào giá trị này.
- Mở cần khóa gài và chỉnh đặt động cơ máy theo trị số đo đạt đã tính toán.
- Xoay khuôn bao phay ▲ nơi có ký hiệu  về biểu tượng và đóng cần khóa gài lại như cũ.
- Nếu cần thiết, kiểm tra chiều sâu phay bằng cách phay thử thực tế và điều chỉnh lại.

Để điều chỉnh chính xác chiều sâu phay thực hiện như sau:

- Với cần khóa gài 10 đã mở, chỉnh đặt ▲ nơi có ký hiệu trên động cơ máy về  biểu tượng.
- Điều chỉnh chiều sâu phay theo yêu cầu bằng núm điều khiển 3.
- Đóng cần khóa gài lại.

Bắt Đầu Vận Hành

- ▶ Tuân thủ theo đúng điện thế! Điện thế nguồn phải đúng với điện thế đã ghi rõ trên nhãn máy.

Bật Mở và Tắt


Để khởi động máy, chỉnh đặt công tắc Tắt/Mở 11 về I.

Để tắt máy, chỉnh đặt công tắc Tắt/Mở 11 về 0.

Hướng Dẫn Sử Dụng

- ▶ Tránh không để mũi phay chịu sự va đập và bị tác động mạnh.

Chiều Của Bước Tiến và Qui Trình Phay (xem hình G)

- ▶ Chuyển động của bước tiến của máy phay định hình phải luôn luôn được tiến hành theo chiều ngược lại chiều quay của mũi phay 4 (ngược lên). Khi phay theo chiều quay của mũi phay (xuôi xuống), máy có thể bị tụt lỏng ra, làm cho người sử dụng không kiểm soát được máy.
- ▶ Chỉ sử dụng máy có khuôn bao phay 2 đã được lắp vào. Sự mất điều khiển máy có thể gây thương tích.
- ▶ Trước khi bắt đầu qui trình phay, kiểm tra xem nếu ▲ nơi có ký hiệu trên khuôn bao phay đã ở vị trí thẳng hàng với  biểu tượng trên động cơ máy 1.

Ghi Chú: Hãy lưu ý rằng mũi phay 4 luôn luôn nhô ra khỏi chân đế của khuôn bao 7. Không được làm hỏng khuôn dưỡng hay vật liệu gia công.

- Điều chỉnh chiều sâu phay theo yêu cầu (xem “Điều chỉnh Độ Sâu Phay”, trang 57).
- Mở công tắc máy và đưa máy vào vị trí gia công.
- Tiến hành quy trình phay với thao tác gia công đều tay.
- Sau khi phay, tắt dụng cụ điện.
- ▶ Không được đặt dụng cụ điện xuống cho đến sau khi mũi phay đã dừng quay hoàn toàn. Để bị trượt dốc/chạy lùi tạo điều kiện cho dụng cụ có thể gây ra thương tích.

58 | Tiếng Việt**Phay Với Bạc Dẫn Hướng (xem các hình H1–H3)**

Với bạc dẫn hướng **16**, ta có thể sao chép các đường viền từ các hình mẫu hay rập theo khuôn lên vật gia công.

Chọn bạc dẫn hướng sao cho thích hợp là tùy theo độ dày của hình mẫu hay khuôn mẫu. Khuôn mẫu phải có độ dày tối thiểu là 8 mm do bạc dẫn hướng có độ dài nhô ra như vậy. (xem hình H1)

► **Chọn mũi phay có đường kính nhỏ hơn đường kính trong của bạc dẫn hướng.**

- Tháo bốn vít đầu nón cụt ở mặt đáy của tấm hướng dòng **6** ra và tháo tấm hướng dòng ra.
- Lắp bạc dẫn hướng **16** vào trong tấm hướng dòng. (xem hình H2)
- Vận vừa đủ chặt tấm hướng dòng vào khuôn bao **7** phay như cũ. Tấm hướng dòng vẫn phải có thể chuyển dịch tự do.

Để đảm bảo khoảng cách từ tâm điểm của mũi phay và cạnh của bạc dẫn hướng đều như nhau, nếu cần, phải điều chỉnh bạc dẫn hướng và tấm hướng dòng qua lại với nhau.

- Chính sắp tấm hướng dòng sao cho mũi phay và bạc dẫn hướng nằm thẳng giữa phần trống trong tấm hướng dòng. (xem hình H3)
- Giữ tấm hướng dòng nằm ở vị trí này và siết chặt các vít bắt vào.

Để phay với bạc dẫn hướng **16**, tiến hành như sau:

- Đặt máy đã gắn bạc dẫn hướng **16** ở tư thế áp lên trên khuôn mẫu.
- Đẩy máy có bạc dẫn hướng nhô ra dọc theo khuôn mẫu, ứng dụng với lực áp nhẹ lên một cạnh.

Phay Biên hay Định Hình (xem hình I)

Khi phay biên hay định hình mà không sử dụng dưỡng cặp cạnh, mũi phay phải được trang bị phần trục dẫn hướng hay ổ bạc đạn.

- Đẩy máy đang mở ngang từ hông vào vật liệu gia công cho đến khi phần trục dẫn hướng hay ổ bạc đạn của mũi phay giáp vào cạnh của vật liệu gia công.
- Đẩy máy dọc theo cạnh của vật liệu gia công. Bảo đảm máy được đặt ở vị trí vuông góc với vật liệu gia công. Dùng sức ép quá mức có thể làm hư cạnh biên của vật gia công.

Phay Định Hình Với Dưỡng Cặp Cạnh (xem hình K)

Để phay song song cặp cạnh **17** biên, ta có thể lắp dưỡng cặp cạnh vào.

- Bắt dưỡng cặp cạnh **17** vào khuôn bao phay **2** bằng bu-long tai hồng **18**.
- Điều chỉnh độ sâu chỉnh đặt theo yêu cầu trên dưỡng cặp cạnh bằng bu-long tai hồng **19**.
- Đẩy máy đã được mở với bước tiến đồng đều với lực áp một cạnh lên dưỡng cặp cạnh dọc theo cạnh biên của vật gia công.

Phay Định Hình Với Bộ Phận Dẫn Hướng Bánh Lăn (xem hình L)

Bộ phận dẫn hướng bánh lăn **20** được sử dụng để phay cạnh biên bằng mũi phay mà không có trục dẫn hướng hay ổ bạc đạn.

- Gắn bộ phận dẫn hướng bánh lăn vào khuôn bao phay **2** bằng bu-long tai hồng **18**.
- Đẩy máy tới với bước tiến đồng đều dọc theo cạnh biên.

Khoảng Trống Ngang: Để thay đổi lượng nguyên liệu bị bào thải, khoảng trống ngang nằm giữa vật gia công và bánh lăn **21** có thể điều chỉnh trên bộ phận dẫn hướng bánh lăn **20**.

- Nới lỏng bu-long tai hồng ra **22**, điều chỉnh khoảng trống ngang theo yêu cầu bằng cách vận bu-long tai hồng **23** và rồi siết bu-long tai hồng **22** lại như cũ.

Chiều cao: Điều chỉnh chiều thẳng dọc của bộ phận dẫn hướng bánh lăn tùy thuộc vào mũi phay đang sử dụng và độ dày của vật liệu được gia công.

- Nới lỏng bu-long tai hồng **18** trên bộ phận dẫn hướng bánh lăn ra, đẩy bộ phận dẫn hướng bánh lăn về vị trí theo yêu cầu và siết chặt bu-long tai hồng lại.

Điều chỉnh lại Cần Khóa Gài (xem hình M)

Khi động cơ máy 1 không còn nằm chắc trong khuôn bao phay nữa, lực kéo căng của cần khóa gài 10 phải được điều chỉnh lại.

- Mở cần khóa gài.
- Xoay đai ốc 24 vào khoảng 45° theo chiều đồng hồ bằng cách sử dụng chìa vạn năng mở (cỡ 8 mm).
- Đóng cần khóa gài lại như cũ.
- Kiểm tra xem động cơ máy đã được cặp chặt chưa. Không được siết đai ốc quá chặt.

Bảo Dưỡng và Bảo Quản

Bảo Dưỡng Và Làm Sạch

- ▶ Trước khi tiến hành bất cứ việc gì trên máy, kéo phích cắm điện nguồn ra.
- ▶ Để được an toàn và máy hoạt động đúng chức năng, luôn luôn giữ máy và các khe thông gió được sạch.

Nếu như cần phải thay dây dẫn điện thì công việc này phải do hãng Bosch, hay một đại lý được Bosch ủy nhiệm thực hiện để tránh gặp sự nguy hiểm do mất an toàn.

Nếu giả như máy bị trục trặc dù đã được theo dõi cẩn thận trong quá trình sản xuất và đã qua chạy kiểm tra, sự sửa chữa phải do trung tâm bảo hành-bảo trì dụng cụ điện cầm tay Bosch thực hiện.

Trong mọi thư từ giao dịch và đơn đặt hàng phụ tùng, xin vui lòng luôn viết đủ 10 con số đã được ghi trên nhãn máy.

Dịch vụ hỗ trợ khách hàng và bảo hành-bảo trì

Bộ phận phục vụ hàng sau khi bán của chúng tôi trả lời các câu hỏi liên quan đến việc bảo dưỡng và sửa chữa các sản phẩm cũng như phụ tùng thay thế của bạn. Sơ đồ mô tả và thông tin về phụ tùng thay thế cũng có thể tra cứu theo dưới đây:

www.bosch-pt.com

Các nhân viên tư vấn khách hàng của chúng tôi trả lời các câu hỏi của bạn liên quan đến việc mua sản phẩm nào là tốt nhất, cách ứng dụng và điều chỉnh sản phẩm và các phụ kiện.

Việt Nam

Trung Tâm Thương Mại Sài Gòn

37 Tôn Đức Thắng

P. Bến Nghé

Q.1

Tp. Hcm

Việt Nam

Tel.: +84 (8) 9 11 13 74 – 9 11 13 75

Fax: +84 (8) 9 11 13 76

Thải bỏ

Máy, linh kiện và bao bì phải được phân loại để tái chế theo hướng thân thiện với môi trường.

Được quyền thay đổi nội dung mà không phải thông báo trước.

Consignes de sécurité

Avertissements de sécurité généraux pour l'outil

⚠ AVERTISSEMENT Lire tous les avertissements de sécurité et

toutes les instructions. Ne pas suivre les avertissements et instructions peut donner lieu à un choc électrique, un incendie et/ou une blessure sérieuse.

Conserver tous les avertissements et toutes les instructions pour pouvoir s'y reporter ultérieurement.

Le terme « outil » dans les avertissements fait référence à votre outil électrique alimenté par le secteur (avec cordon d'alimentation) ou votre outil fonctionnant sur batterie (sans cordon d'alimentation).

1) Sécurité de la zone de travail

- a) **Conserver la zone de travail propre et bien éclairée.** Les zones en désordre ou sombres sont propices aux accidents.
- b) **Ne pas faire fonctionner les outils électriques en atmosphère explosive, par exemple en présence de liquides inflammables, de gaz ou de poussières.** Les outils électriques produisent des étincelles qui peuvent enflammer les poussières ou les fumées.
- c) **Maintenir les enfants et les personnes présentes à l'écart pendant l'utilisation de l'outil.** Les distractions peuvent vous faire perdre le contrôle de l'outil.

2) Sécurité électrique

- a) **Il faut que les fiches de l'outil électrique soient adaptées au socle. Ne jamais modifier la fiche de quelque façon que ce soit. Ne pas utiliser d'adaptateurs avec des outils à branchement de terre.** Des fiches non modifiées et des socles adaptés réduiront le risque de choc électrique.

b) **Eviter tout contact du corps avec des surfaces reliées à la terre telles que les tuyaux, les radiateurs, les cuisinières et les réfrigérateurs.** Il existe un risque accru de choc électrique si votre corps est relié à la terre.

c) **Ne pas exposer les outils à la pluie ou à des conditions humides.** La pénétration d'eau à l'intérieur d'un outil augmentera le risque de choc électrique.

d) **Ne pas maltraiter le cordon. Ne jamais utiliser le cordon pour porter, tirer ou débrancher l'outil. Maintenir le cordon à l'écart de la chaleur, du lubrifiant, des arêtes ou des parties en mouvement.** Les cordons endommagés ou emmêlés augmentent le risque de choc électrique.

e) **Lorsqu'on utilise un outil à l'extérieur, utiliser un prolongateur adapté à l'utilisation extérieure.** L'utilisation d'un cordon adapté à l'utilisation extérieure réduit le risque de choc électrique.

f) **Si l'usage d'un outil dans un emplacement humide est inévitable, utiliser une alimentation protégée par un dispositif à courant différentiel résiduel (RCD).** L'usage d'un RCD réduit le risque de choc électrique.

3) Sécurité des personnes

- a) **Rester vigilant, regarder ce que vous êtes en train de faire et faire preuve de bon sens dans votre utilisation de l'outil. Ne pas utiliser un outil lorsque vous êtes fatigué ou sous l'emprise de drogues, d'alcool ou de médicaments.** Un moment d'inattention en cours d'utilisation d'un outil peut entraîner des blessures graves des personnes.
- b) **Utiliser un équipement de sécurité. Toujours porter une protection pour les yeux.** Les équipements de sécurité tels que les masques contre les poussières, les chaussures de sécurité antidérapantes, les casques ou les protections acoustiques utilisés pour les conditions appropriées réduiront les blessures de personnes.

- c) Éviter tout démarrage intempestif. S'assurer que l'interrupteur est en position arrêt avant de brancher l'outil au secteur et/ou au bloc de batteries, de le ramasser ou de le porter.** Porter les outils en ayant le doigt sur l'interrupteur ou brancher des outils dont l'interrupteur est en position marche est source d'accidents.
- d) Retirer toute clé de réglage avant de mettre l'outil en marche.** Une clé laissée fixée sur une partie tournante de l'outil peut donner lieu à des blessures de personnes.
- e) Ne pas se précipiter. Garder une position et un équilibre adaptés à tout moment.** Cela permet un meilleur contrôle de l'outil dans des situations inattendues.
- f) S'habiller de manière adaptée. Ne pas porter de vêtements amples ou de bijoux. Garder les cheveux, les vêtements et les gants à distance des parties en mouvement.** Des vêtements amples, des bijoux ou les cheveux longs peuvent être pris dans des parties en mouvement.
- g) Si des dispositifs sont fournis pour le raccordement d'équipements pour l'extraction et la récupération des poussières, s'assurer qu'ils sont connectés et correctement utilisés.** Utiliser des collecteurs de poussière peut réduire les risques dus aux poussières.
- 4) Utilisation et entretien de l'outil**
- a) Ne pas forcer l'outil. Utiliser l'outil adapté à votre application.** L'outil adapté réalisera mieux le travail et de manière plus sûre au régime pour lequel il a été construit.
- b) Ne pas utiliser l'outil si l'interrupteur ne permet pas de passer de l'état de marche à arrêt et vice versa.** Tout outil qui ne peut pas être commandé par l'interrupteur est dangereux et il faut le réparer.
- c) Débrancher la fiche de la source d'alimentation en courant et/ou le bloc de batteries de l'outil avant tout réglage, changement d'accessoires ou avant de ranger l'outil.** De telles mesures de sécurité préventives réduisent le risque de démarrage accidentel de l'outil.
- d) Conserver les outils à l'arrêt hors de la portée des enfants et ne pas permettre à des personnes ne connaissant pas l'outil ou les présentes instructions de le faire fonctionner.** Les outils sont dangereux entre les mains d'utilisateurs novices.
- e) Observer la maintenance de l'outil. Vérifier qu'il n'y a pas de mauvais alignement ou de blocage des parties mobiles, des pièces cassées ou toute autre condition pouvant affecter le fonctionnement de l'outil. En cas de dommages, faire réparer l'outil avant de l'utiliser.** De nombreux accidents sont dus à des outils mal entretenus.
- f) Garder affûtés et propres les outils permettant de couper.** Des outils destinés à couper correctement entretenus avec des pièces coupantes tranchantes sont moins susceptibles de bloquer et sont plus faciles à contrôler.
- g) Utiliser l'outil, les accessoires et les lames etc., conformément à ces instructions, en tenant compte des conditions de travail et du travail à réaliser.** L'utilisation de l'outil pour des opérations différentes de celles prévues pourrait donner lieu à des situations dangereuses.
- 5) Maintenance et entretien**
- a) Faire entretenir l'outil par un réparateur qualifié utilisant uniquement des pièces de rechange identiques.** Cela assurera que la sécurité de l'outil est maintenue.

Instructions de sécurité pour fraises

- ▶ **La vitesse de rotation admissible de l'outil de travail doit être au moins égale à la vitesse de rotation maximale de l'outil électroportatif.** Les accessoires qui tournent à une vitesse de rotation supérieure à celle qui est admise risquent d'être détruits.
- ▶ **Les outils de fraisage et les autres accessoires doivent correspondre exactement au porte-outil (pince de serrage) de votre outil électroportatif.** Les outils qui ne correspondent pas exactement au porte-outil de l'outil électroportatif, tournent de façon irrégulière, génèrent de fortes vibrations et peuvent entraîner une perte de contrôle.
- ▶ **Ne guider l'outil électroportatif contre la pièce à travailler que quand l'appareil est en marche.** Sinon, il y a risque d'un contre-coup, au cas où l'outil se coince dans la pièce.
- ▶ **Ne jamais fraiser des pièces métalliques, clous ou vis.** L'outil de fraisage pourrait être endommagé et se mettre à vibrer fortement.
- ▶ **Tenir l'outil uniquement par les surfaces de préhension isolantes, pendant les opérations au cours desquelles l'accessoire coupant peut être en contact avec des conducteurs cachés ou avec son propre câble.** Le contact de l'accessoire coupant avec un fil « sous tension » peut également mettre « sous tension » les parties métalliques exposées de l'outil électrique et provoquer un choc électrique sur l'opérateur.
- ▶ **Utiliser des détecteurs appropriés afin de déceler des conduites cachées ou consulter les entreprises d'approvisionnement locales.** Un contact avec des conduites d'électricité peut provoquer un incendie ou un choc électrique. Un endommagement d'une conduite de gaz peut provoquer une explosion. La perforation d'une conduite d'eau provoque des dégâts matériels.

- ▶ **Ne pas utiliser d'outils de fraisage émoussés ou endommagés.** Les outils de fraisage émoussés ou endommagés provoquent une friction trop élevée, peuvent être coincés et entraînent un défaut d'équilibrage.
- ▶ **Bloquer la pièce à travailler.** Une pièce à travailler serrée par des dispositifs de serrage ou dans un étau est fixée de manière plus sûre que tenue dans les mains.
- ▶ **Avant de déposer l'outil électroportatif, attendre que celui-ci soit complètement à l'arrêt.** L'outil risque de se coincer, ce qui entraîne une perte de contrôle de l'outil électroportatif.
- ▶ **Ne jamais utiliser un outil électroportatif dont le câble est endommagé. Ne pas toucher à un câble endommagé et retirer la fiche du câble d'alimentation de la prise du courant, au cas où le câble serait endommagé lors du travail.** Un câble endommagé augmente le risque d'un choc électrique.

Description du fonctionnement



Lire tous les avertissements et indications. Le non-respect des avertissements et instructions indiqués ci-après peut entraîner un choc électrique, un incendie et/ou de graves blessures sur les personnes.

Déplier le volet sur lequel l'appareil est représenté de manière graphique. Laisser le volet déplié pendant la lecture de la présente notice d'utilisation.

Utilisation conforme

Equippé d'un support stable, l'outil électrique est conçu pour les travaux de fraisage de rainures, bords, profils et rainures droites ainsi que pour le fraisage par copiage, dans le bois, les matières plastiques et matériaux de construction légers.

Éléments de l'appareil

La numérotation des éléments de l'appareil se réfère à la représentation de l'outil électroportatif sur les pages graphiques.

- 1 Unité d'entraînement
- 2 Berceau de fraisage
- 3 Molette de réglage de la profondeur de fraisage
- 4 Outil de fraisage*
- 5 Erou-raccord avec pince de serrage
- 6 Plaque d'assise
- 7 Plaque de base
- 8 Graduation pour le réglage de la profondeur de fraisage
- 9 Touche de blocage de la broche
- 10 Levier de serrage
- 11 Interrupteur Marche/Arrêt
- 12 Pince de serrage
- 13 Porte-outil
- 14 Clé à fourche (17 mm)
- 15 Carter du berceau de fraisage
- 16 Bague de copiage*
- 17 Butée parallèle
- 18 Vis papillon pour blocage de la butée
- 19 Vis papillon pour la butée parallèle
- 20 Aide de guidage*
- 21 Rouleau glisseur
- 22 Vis papillon pour fixation de l'orientation horizontale
- 23 Vis papillon pour orientation horizontale de l'aide de guidage
- 24 Erou de réglage de la force de serrage

* Les accessoires décrits ou montrés ne sont pas compris dans l'emballage standard. Vous trouverez les accessoires complets dans notre programme d'accessoires.

Caractéristiques techniques

Défonceuse	GMR 1 Professional	
N° d'article		3 601 FOA 0..
Puissance absorbée nominale	W	550
Vitesse de rotation en marche à vide	tr/min	33000
Porte-outil	mm	6
	inch	¼
Poids suivant EPTA-Procédure 01/2003	kg	1,5
Classe de protection		□/II

Ces indications sont valables pour des tensions nominales de [U] 230/240 V. Ces indications peuvent varier pour des tensions plus basses ainsi que pour des versions spécifiques à certains pays.

Respectez impérativement le numéro d'article se trouvant sur la plaque signalétique de l'outil électroportatif. Les désignations commerciales des différents outils électroportatifs peuvent varier.

Montage

Changement de l'outil

- ▶ **Avant d'effectuer des travaux sur l'outil électroportatif, retirez la fiche de la prise de courant.**
- ▶ **Il est recommandé de porter des gants de protection pour le montage et le changement des outils de fraisage.**

Démontage du berceau de fraisage (voir figure A)

Avant de monter la fraise, séparer d'abord le berceau de fraisage **2** de l'unité d'entraînement **1**.

- Ouvrir le levier de serrage **10** et tourner le berceau de fraisage **2** avec le marquage ▲ pour le mettre sur le symbole ■ se trouvant sur l'unité d'entraînement **1**.
- Tirer l'unité d'entraînement à fond vers le haut.
- Tourner l'unité d'entraînement à fond dans le sens inverse des aiguilles d'une montre et la sortir du berceau de fraisage.

Changer la pince de serrage (voir figure B)

En fonction de la fraise utilisée, remplacer l'écrou-raccord à l'aide de la pince de serrage **5** avant de monter la fraise.

Si la pince de serrage appropriée pour votre fraise est déjà montée, suivre les opérations dans le chapitre « Montage de l'outil de fraisage ».

La pince de serrage **12** doit être positionnée dans l'écrou-raccord de sorte à ce qu'il y ait un petit jeu. L'écrou-raccord avec la pince de serrage **5** doit être facile à monter. Si l'écrou-raccord ou la pince de serrage était endommagé, le remplacer immédiatement.

- Appuyer sur la touche de blocage de la broche **9** et la maintenir dans cette position. Le cas échéant, tourner la broche du moteur à la main jusqu'à ce qu'elle soit bloquée. (voir figure C1)
- Desserrer l'écrou-raccord **14** à l'aide de la clé à fourche **5** dans le sens inverse des aiguilles d'une montre.
- Relâcher la touche de blocage de la broche.
- Si nécessaire, nettoyer toutes les pièces à monter avant de les monter à l'aide d'un pinceau doux ou en soufflant de l'air comprimé.
- Monter le nouvel écrou-raccord sur le porte-outil **13**.
- Serrer légèrement l'écrou-raccord.

► **Ne serrer en aucun cas la pince de serrage avec l'écrou-raccord tant que l'outil de fraisage n'est pas monté.** La pince de serrage risque sinon d'être endommagée.

Montage de l'outil de fraisage (voir figures C1 – C2)

Suivant le travail à effectuer, des outils de fraisage sont disponibles dans les versions et les qualités les plus variées.

Les outils de fraisage en acier super rapide sont destinés à travailler des matériaux tendres tels que le bois tendre ou les matières plastiques.

Les outils de fraisage munis de tranchants en carbure sont particulièrement appropriés pour travailler des matériaux durs et abrasifs tels que le bois dur et l'aluminium.

Chez votre commerçant spécialisé, vous trouverez des outils de fraisage d'origine de la gamme étendue des accessoires Bosch.

N'utiliser que des outils de fraisage en parfait état et propres.

- Appuyer sur la touche de blocage de la broche **9** et la maintenir dans cette position. Le cas échéant, tourner la broche du moteur à la main jusqu'à ce qu'elle soit bloquée. (voir figure C1)
 - Desserrer l'écrou-raccord **14** à l'aide de la clé à fourche **5** dans le sens inverse des aiguilles d'une montre. (voir figure C2)
 - Pousser l'outil de fraisage dans la pince de serrage. La tige de la fraise doit être introduite d'au moins 20 mm dans la pince de serrage.
 - Resserrer l'écrou-raccord dans le sens des aiguilles d'une montre.
 - Relâcher la touche de blocage de la broche.
- **Ne serrer en aucun cas la pince de serrage avec l'écrou-raccord tant que l'outil de fraisage n'est pas monté.** La pince de serrage risque sinon d'être endommagée.

Montage du berceau de fraisage (voir figure D)

Pour fraiser, monter le berceau de fraisage **2** à nouveau sur l'unité d'entraînement **1**.

- Ouvrir le levier de serrage **10** sur l'unité d'entraînement, au cas où celui-ci serait fermé.
- Positionner les deux flèches doubles sur l'unité d'entraînement et le berceau de fraisage **2** de sorte qu'elles correspondent l'une à l'autre.
- Introduire l'unité d'entraînement dans le berceau de fraisage et tourner l'unité d'entraînement dans le sens des aiguilles d'une montre jusqu'au marquage ▲ sur le symbole ■.
- Enfoncer l'unité d'entraînement encore davantage dans le berceau de fraisage.
- Après le montage, tourner le berceau de fraisage avec le marquage ▲ pour le mettre sur le symbole ■ se trouvant sur l'unité d'entraînement.
- Fermer le levier de serrage.

► **Après le montage, vérifier toujours si l'unité d'entraînement est bien placée dans le berceau de fraisage.**

Le cas échéant, modifier la prétention du levier de serrage **10** (voir « Réajuster le levier de serrage », page 67).

Montage du carter du berceau de fraisage (voir figure E)

Lors d'une utilisation intensive de la défonceuse, le berceau de fraisage chauffe. Dans ce cas-là, il est possible de monter un carter du berceau de fraisage (accessoire) pour se protéger les mains.

- Enlever le levier de serrage **10**.
- Monter le carter du berceau de fraisage **15** du haut dans le berceau de fraisage **2**.
- Resserrer le levier de serrage de sorte que l'unité d'entraînement **1** soit bien maintenue dans le berceau de fraisage quand le levier de serrage est fermé.

Aspiration de poussières/de copeaux

Les poussières de matériaux tels que peintures contenant du plomb, certains bois, minéraux ou métaux, peuvent être nuisibles à la santé. Toucher ou aspirer les poussières peut entraîner des réactions allergiques et/ou des maladies respiratoires auprès de l'utilisateur ou de personnes se trouvant à proximité.

Certaines poussières telles que les poussières de chêne ou de hêtre sont considérées cancérigènes, surtout en connexion avec des additifs pour le traitement de bois (chromate, lazure). Les matériaux contenant de l'amiante ne doivent être travaillés que par des personnes qualifiées.

- Veillez à bien aérer la zone de travail.
- Il est recommandé de porter un masque respiratoire de la classe de filtre P2.

► **Respectez les règlements en vigueur dans votre pays spécifiques aux matériaux à traiter.**

Mise en marche

Réglage de la profondeur de fraisage (voir figure F)

► **Le réglage de la profondeur de fraisage ne doit être effectué que lorsque l'outil électroportatif est mis hors service.**

Pour un réglage grossier de la profondeur de fraisage, procédez comme suit :

- Poser l'outil électroportatif sur la pièce à travailler, l'outil de fraisage étant monté.
- Ouvrir le levier de serrage **10** sur l'unité d'entraînement, au cas où celui-ci serait fermé.
- Positionner le berceau de fraisage **2** avec le marquage ▲ sur le symbole ■ et pousser lentement l'unité d'entraînement vers le bas jusqu'à ce que la fraise touche la pièce à travailler.
- Fermer le levier de serrage.
- Lire la valeur sur la graduation **8** et la noter (mise à zéro). Additionner la profondeur de fraisage souhaitée à cette valeur.

66 | Français

- Ouvrir le levier de serrage et positionner l'unité d'entraînement sur la valeur de graduation calculée.
- Positionner le marquage ▲ du berceau de fraisage sur le symbole ☒ et refermer le levier de serrage.
- Faire un premier essai pour contrôler si le réglage de la profondeur de fraisage est juste et le corriger le cas échéant.

Pour le réglage précis de la profondeur de fraisage, procéder comme suit :

- Le levier de serrage **10** ouvert, positionner le marquage ▲ de l'unité de serrage sur le symbole ☒.
- Régler la profondeur de fraisage souhaitée à l'aide de la molette de réglage **3**.
- Fermer le levier de serrage.

Mise en service

- ▶ **Tenez compte de la tension du réseau ! La tension de la source de courant doit coïncider avec les indications se trouvant sur la plaque signalétique de l'outil électroportatif.**

Mise en Marche/Arrêt

Pour la **mise en service** de l'outil électroportatif, mettre l'interrupteur Marche/Arrêt **11** sur **I**. Pour **éteindre** l'outil électroportatif, laisser l'interrupteur Marche/Arrêt **11** sur **0**.

Instructions d'utilisation

- ▶ **Protéger les outils de fraisage contre les chocs et les coups.**

Sens du fraisage et processus de fraisage (voir figure G)

- ▶ **Toujours effectuer le processus de fraisage dans le sens opposé au sens de rotation de la fraise 4 (fraisage inversé).** En cas de fraisage dans le sens de rotation (en sens direct), l'outil électroportatif peut être arraché de la main.
- ▶ **N'utiliser l'outil électroportatif que lorsque le berceau de fraisage 2 est monté.** La perte de contrôle de l'outil électroportatif peut entraîner des blessures.

- ▶ **Avant l'opération de fraisage, contrôler que le marquage ▲ du berceau de fraisage soit bien positionné sur le symbole ☒ se trouvant sur l'unité d'entraînement 1.**

Note : Tenir compte que la fraise **4** déborde toujours du plateau de base **7**. Ne pas endommager ni le gabarit ni la pièce à travailler.

- Régler la profondeur de fraisage souhaitée (voir « Réglage de la profondeur de fraisage », page 65).
- Mettre l'outil électroportatif en marche et l'approcher de l'endroit à travailler.
- Effectuer le processus de fraisage en appliquant une vitesse d'avance régulière.
- Une fois le fraisage terminé, éteindre l'outil électroportatif.

- ▶ **Ne déposer l'outil électroportatif qu'après l'arrêt complet de la fraise.** Les outils de travail qui ne sont pas encore en arrêt total peuvent causer des blessures.

Fraisage avec bague de copiage (voir figures H1 – H3)

A l'aide de la bague de copiage **16**, il est possible de transposer des contours de modèles ou de gabarits sur des pièces à travailler.

Sélectionner la bague de copiage en fonction de l'épaisseur du modèle ou du gabarit. Etant donné que la bague de copiage dépasse, le gabarit doit être d'une épaisseur minimum de 8 mm. (voir figure H1)

- ▶ **Choisir un diamètre de l'outil de fraisage inférieur au diamètre intérieur de la bague de copiage.**

- Desserrer les quatre vis cylindriques se trouvant sur la face inférieure de la plaque d'assise **6** et enlever la plaque d'assise.
- Monter la bague de copiage **16** dans la plaque d'assise. (voir figure H2)
- Resserrer légèrement la plaque d'assise sur le plateau de base **7**. La plaque d'assise doit pouvoir bouger librement.

Pour que la distance entre le milieu de la fraise et le bord de la bague de copiage soit partout la même, le cas échéant, la bague de copiage et la plaque d'assise doivent être centrées l'une par rapport à l'autre.

- Orienter la plaque d'assise de sorte que la fraise et la bague de copiage soient centrées par rapport à l'ouverture se trouvant dans la plaque d'assise. (voir figure H3)
- Maintenir la plaque d'assise dans cette position et serrer les vis de fixation.

Pour fraiser avec bague de copiage **16**, procéder comme suit :

- Positionner l'outil électroportatif avec la bague de copiage **16** à côté du gabarit.
- Guider l'outil électroportatif, avec la bague de copiage en saillie, le long du gabarit en exerçant une pression sur le côté.

Fraisage de bords ou de profil (voir figure I)

Pour effectuer des travaux de fraisage de bords ou de profils sans butée parallèle, l'outil de fraisage doit être muni d'un tourillon ou d'un roulement à billes.

- Approcher l'outil électroportatif mis en marche de la pièce à travailler par le côté jusqu'à ce que le tourillon ou le roulement à billes de l'outil de fraisage touche le bord de la pièce à travailler.
- Approcher l'outil électroportatif du bord de la pièce à travailler. Veiller à une position angulaire correcte. Une pression trop importante risque d'endommager le bord de la pièce à travailler.

Fraisage avec butée parallèle (voir figure K)

Pour effectuer des coupes parallèles le long d'un bord, il est possible de monter la butée parallèle **17**.

- Fixer la butée parallèle **17** sur le berceau de fraisage **2** à l'aide de la vis papillon **18**.
- A l'aide de la vis papillon **19** se trouvant sur la butée parallèle, régler la profondeur souhaitée.
- Guider l'outil électroportatif mis en marche le long du bord de la pièce à travailler en appliquant une vitesse d'avance régulière et en exerçant une pression latérale sur la butée parallèle.

Fraisage avec aide de guidage (voir figure L)

L'aide de guidage **20** sert à fraiser des bords avec des fraises sans tourillon ou roulement à billes.

- Fixer l'aide de guidage sur le berceau de fraisage **2**, à l'aide de la vis papillon **18**.
- Guider l'outil électroportatif le long du bord de la pièce à travailler en appliquant une vitesse d'avance régulière.

Distance latérale : Pour modifier la quantité de matériau à enlever, il est possible de régler la distance latérale entre la pièce à travailler et le rouleau glisseur **21** sur l'aide de guidage **20**.

- Desserrer la vis papillon **22**, régler la distance latérale souhaitée en tournant la vis papillon **23** et resserrer la vis papillon **22**.

Hauteur : En fonction de la fraise utilisée et de l'épaisseur de la pièce à travailler, régler l'orientation verticale de l'aide de guidage.

- Desserrer la vis papillon **18** se trouvant sur l'aide de guidage, pousser l'aide de guidage dans la position souhaitée et resserrer la vis papillon.

Réajuster le levier de serrage (voir figure M)

Si l'unité d'entraînement **1** n'est plus bien maintenue dans le berceau de fraisage, réajuster la force de serrage du levier de serrage **10**.

- Ouvrir le levier de serrage.
- Tourner l'écrou **24** à l'aide d'une clé à fourche (8 mm) d'environ 45° dans le sens des aiguilles d'une montre.
- Refermer le levier de serrage.
- Vérifier si l'unité d'entraînement est bien serrée. Ne pas trop serrer l'écrou.

Entretien et service après-vente

Nettoyage et entretien

- ▶ **Avant d'effectuer des travaux sur l'outil électroportatif, retirez la fiche de la prise de courant.**
- ▶ **Tenez toujours propres l'outil électroportatif ainsi que les ouïes de ventilation afin d'obtenir un travail impeccable et sûr.**

Dans le cas où un remplacement de la fiche de raccordement s'avère nécessaire, ceci ne doit être effectué que par Bosch ou une station de service après-vente agréée pour outillage Bosch afin d'éviter des dangers de sécurité.

Si, malgré tous les soins apportés à la fabrication et au contrôle de l'appareil, celui-ci devait avoir un défaut, la réparation ne doit être confiée qu'à une station de service après-vente agréée pour outillage Bosch.

Pour toute demande de renseignement ou commande de pièces de rechange, précisez-nous impérativement le numéro d'article à dix chiffres de l'outil électroportatif indiqué sur la plaque signalétique.

Service après-vente et assistance des clients

Notre service après-vente répond à vos questions concernant la réparation et l'entretien de votre produit et les pièces de rechange. Vous trouverez des vues éclatées ainsi que des informations concernant les pièces de rechange également sous :

www.bosch-pt.com

Les conseillers techniques Bosch sont à votre disposition pour répondre à vos questions concernant l'achat, l'utilisation et le réglage de vos produits et leurs accessoires.

Pour avoir des renseignements concernant la garantie, les travaux d'entretien ou de réparation ou les pièces de rechange, veuillez contacter votre détaillant spécialisé.

Élimination des déchets

Les outils électroportatifs, ainsi que leurs accessoires et emballages, doivent pouvoir suivre chacun une voie de recyclage appropriée.

Sous réserve de modifications.

الصيانة والخدمة

الصيانة والتنظيف

◀ اسحب القابس من مقبس الشبكة الكهربائية قبل إجراء أي عمل على العدة الكهربائية.

◀ حافظ دائماً على نظافة العدة الكهربائية وشقوق التهوية للعمل بشكل جيد وآمن.

إن تطلب الأمر استبدال خط الامداد، فينبغي أن يتم ذلك من قبل شركة بوش أو من قبل مركز خدمة زبائن وكالة بوش للعدد الكهربائية، لتجنب التعرض للمخاطر.

عند حدوث أي خلل بالعدة الكهربائية بالرغم من أنها قد صنعت بعناية فائقة واجتازت اختبارات عديدة توجب إصلاحها في مركز خدمة وكالة عدد بوش الكهربائية.

يرجى ذكر رقم الصنف بالمراتب العشر حسب لائحة طراز العدة الكهربائية بشكل ضروري عند الاستشارة وعند إرسال طلبيات قطع الغيار.

خدمة ومشورة الزبائن

يجيب مركز خدمة الزبائن على الأسئلة المطروحة بصدد تصليح وصيانة المنتج وأيضاً بما يخص قطع الغيار. ستجد الرسوم الممددة والمعلومات عن قطع الغيار بموقع:

www.bosch-pt.com

سيساعدك فريق استشاري زبائن بوش بالإجابة على الأسئلة المطروحة بصدد شراء، استخدام، وضبط المنتجات وتوابعها.

يرجى التوجه إلى التاجر المختص بما يتعلّق بأموال الضمان والتصليح وتأمين قطع الغيار.

التخلص من العدة الكهربائية

ينبغي التخلص من العدد الكهربائية والتوابع والغلاف بطريقة منصفة للبيئة عن طريق النفايات القابلة لإعادة التصنيع.

نحفظ بحق إدخال التعديلات.

- فك اللوالب الاسطوانية الأربعة على الجهة السفلية بصفيحة الازلاق **6** وانزع صفيحة الازلاق.
- ركب جلبة النسخ **16** في صفيحة الازلاق. (تراجع الصورة H2)
- أعد ربط صفيحة الازلاق بصفيحة القاعدة **7** بشكل خفيف. يجب أن تبقى صفيحة الازلاق طليقة الحركة.
- لكي يكون البعد بين منتصف لقمة الفرز وحافة جلبة النسخ متساوياً في كل مكان، قد يتوجب ضبط مركز جلبة النسخ و صفيحة الازلاق بالنسبة لبعضها البعض عند الضرورة.
- اضبط صفيحة الازلاق بحيث تتواجد لقمة الفرز وجلبة النسخ بمركز فتحة صفيحة الازلاق. (تراجع الصورة H3)
- حافظ على إبقاء صفيحة الازلاق بهذا الوضع وأحكام شد لوالب التثبيت.
- يتم الفرز بواسطة جلبة النسخ **16** بالطريقة التالية:
- ركز العدة الكهربائية بجلبة النسخ **16** على النموذج.
- وجه العدة الكهربائية مع جلبة النسخ البارزة بضغط جانبي خفيف على امتداد مسار النموذج.
- فرز الحواف والأشكال (تراجع الصورة I)
- عند فرز الحواف أو الأشكال دون مصد التوازي يجب أن تكون لقمة الفرز مجهزة بوتد دليلي أو بمحمل كريات.
- وجه العدة الكهربائية بعد تشغيلها نحو قطعة الشغل من الجانب إلى أن يتلامس الوتد الدليلي أو محمل الكريات الخاص بلقمة الفرز مع حافة قطعة الشغل المرغوب معالجتها.
- وجه العدة الكهربائية على امتداد مسار حافة قطعة الشغل. انتبه أثناء ذلك إلى تركيزها بزوايا مناسبة. قد يؤدي فرط الضغط إلى إتلاف حافة قطعة الشغل.
- الفرز بمصد التوازي (تراجع الصورة K)
- يمكن تركيب مصد التوازي **17** من أجل القطع بموازية الحواف.
- ثبت مصد التوازي **17** على سلة الفرز **2** بواسطة اللولب المرنج **18**.
- اضبط عمق المصد المرغوب بواسطة اللولب المرنج على مصد التوازي **19**.
- وجه العدة الكهربائية بعد تشغيلها بدفع أمامي منتظم وبضغط جانبي على مصد التوازي على امتداد مسار حافة قطعة الشغل.
- الفرز بمساعد التوجيه (تراجع الصورة L)
- يستخدم مساعد التوجيه **20** لفرز الحواف بلقم الفرز دون وتد دليلي أو محمل كريات.
- ثبت مساعد التوجيه على سلة الفرز **2** بواسطة اللولب المرنج **18**.
- وجه العدة الكهربائية بدفع أمامي منتظم على امتداد مسار حافة قطعة الشغل.
- البعد الجانبي: يمكنك أن تضبط البعد الجانبي بين قطعة الشغل وعجلة الازلاق **21** على مساعد التوجيه **20** من أجل تغيير كمية الإزاحة بالمادة.
- حل اللولب المرنج **22**، اضبط البعد الجانبي المرغوب من خلال فتل اللولب المرنج **23** وأعد شد اللولب المرنج **22** بإحكام.
- الارتفاع: اضبط المحاذاة العمودية لمساعد التوجيه حسب لقمة الفرز المستخدمة وحسب ثخن مادة الشغل المرغوب معالجتها.
- حل اللولب المرنج **18** على مساعد التوجيه، ادفع مساعد التوجيه إلى الوضع المرغوب وأعد إحكام شد اللولب المرنج.
- إعادة ضبط ذراع الشد (تراجع الصورة M)
- إن لم تعد تركز وحدة الدفع **1** في سلة الفرز بنبات، توجب إعادة ضبط قوة شد ذراع الشد **10**.
- افتح ذراع الشد.
- افتل الصامولة **24** بواسطة مفتاح ربط مفتوح الفك (**8** مم) بمقدار 45° باتجاه حركة عقارب الساعة.
- اغلق ذراع الشد.
- تفحص عما إذا كان قد تم شد وحدة الدفع بأمان. لا تفرط بشد الصامولة.

شفت الغبار/ النشارة

- إن أغبرة بعض المواد كالطلاء الذي يحتوي على الرصاص، وبعض أنواع الخشب والفلزات والمعادن، قد تكون مضرّة بالصحة. إن ملامسة أو استنشاق الأغبرة قد يؤدي إلى ردود فعل زائدة الحساسية و/ أو إلى أمراض المجاري التنفسية لدى المستخدم أو لدى الأشخاص المتواجدين على مقربة من المكان. تعتبر بعض الأغبرة المعينة، كأغبرة البلوط والزان بأنها مسببة للسرطان، ولا سيما بالاتصال مع المواد الإضافية لمعالجة الخشب (ملح حامض الكروميك، المواد الحافظة للخشب). يجوز أن يتم معالجة المواد التي تحتوي على الأسبستوس من قبل العمال المتخصصين فقط دون غيرهم.
- حافظ على تهوية مكان الشغل بشكل جيد.
 - ينصح بارتداء قناع وقيّة للتنفس بفئة المرشح P2.
 - ◀ تراعى الأحكام السارية في بلدكم بالنسبة للمواد المرغوب معالجتها.

التشغيل

ضبط عمق الفرز (تراجع الصورة F)

- ◀ يجوز ضبط عمق الفرز فقط عندما تكون العدة الكهربائية مطفأة.
- لضبط عمق الفرز التقريبي تتبع الإجراءات التالية:
- ركب العدة الكهربائية التي ركبت بها لقمة الفرز على قطعة الشغل المرغوب معالجتها.
- افتح ذراع الشد 10 بوحدة الدفع، إن كانت مغلقة.
- اقتل سلة الفرز 2 بالدليل ▲ على الرمز ■ ووجه وحدة الدفع ببطء إلى الأسفل إلى أن تتلامس لقمة الفرز مع قطعة الشغل.
- اغلق ذراع الشد.
- اقرأ قيمة القياس على المقياس 8 ودون هذه القيمة (تعيين نقطة الصفر). يضاف عمق الفرز المرغوب إلى هذه القيمة.
- افتح ذراع الشد واضبط وحدة الدفع على قيمة القياس المحسوبة سابقاً.
- اقتل سلة الفرز بالدليل ▲ على الرمز ■ واغلق ذراع الشد.
- تفحص عمق الفرز الذي تم ضبطه من خلال التجربة العملية وصححه إن تطلب الأمر ذلك.

لضبط عمق الفرز الدقيق تتبع الإجراءات التالية:

- ركز وحدة الدفع عندما تكون ذراع الشد 10 مفتوحة بالدليل ▲ على الرمز ■.
- اضبط عمق الفرز المرغوب بواسطة عجلة الضبط 3.
- اغلق ذراع الشد.

بدء التشغيل

- ◀ انتبه إلى جهد الشبكة الكهربائية! يجب أن يتطابق جهد منبع التيار مع المعلومات المذكورة على لائحة طراز الجهاز.

التشغيل والإطفاء

- من أجل تشغيل العدة الكهربائية بضبط مفتاح التشغيل والإطفاء 11 على 1.
- من أجل إطفاء العدة الكهربائية بضبط مفتاح التشغيل والإطفاء 11 على 0.

ملاحظات شغل

- ◀ ينبغي حماية لقم الفرز من الصدمات والطرقات.

اتجاه الفرز وعملية الفرز (تراجع الصورة G)

- ◀ يجب أن تتم عملية الفرز دائماً ضد اتجاه دوران لقمة الفرز 4 (بعكس الدوران). قد تخلع ماكينة الفرز عن يدك عند الفرز مع اتجاه الدوران (المطابق للدوران).
- ◀ استخدم العدة الكهربائية فقط بالاتصال مع سلة الفرز 2 المركبة. إن فقدان التحكم بالعدة الكهربائية قد يؤدي إلى الإصابة بجروح.
- ◀ تفحص قبل البدء بعملية الفرز إن كان قد تمّ تركيز سلة الفرز بالدليل ▲ على الرمز ■ بوحدة الدفع 1.
- ملاحظة: يراعى بأن لقمة الفرز 4 تنبذ عن صفيحة القاعدة 7 دائماً. لا تتلف قالب المعايرة أو قطعة الشغل.
- اضبط عمق الفرز المرغوب (تراجع ضبط عمق الفرز، الصفحة 71).
- شغل العدة الكهربائية ووجهها نحو المكان المرغوب معالجته.
- نفذ عملية الفرز بدفع منتظم نحو الأمام.
- اطفئ العدة الكهربائية بعد إنهاء الفرز.
- ◀ لا تترك العدة الكهربائية أبداً قبل أن تكون لقمة الفرز قد توقفت عن الحركة تماماً. إن عدد الشغل التي تتابع دورانها قد تؤدي إلى الإصابة بجروح.
- الفرز بجلية النسخ (تراجع الصور H1-H3)
- يمكنك بواسطة جلبة النسخ 16 أن تنقل معالم النماذج أو القوالب إلى قطعة الشغل.
- اختار جلبة النسخ الملائمة حسب ثخن النموذج أو القالب. يجب أن يبلغ ثخن النموذج على الأقل 8 مم بسبب ارتفاع جلبة النسخ البارز. (تراجع الصورة H1)
- ◀ اختار لقمة فرز قطرهما أصغر من القطر الداخلي لجلبة النسخ.

- اطلق مفتاح تثبيت محور الدوران.
 - ◀ لا تحكّم شد الظرف الطوقي بصامولة الزنق أبداً، ما دام لم يتم تركيب لقمة الفرز. قد يؤدي ذلك إلى إتلاف الظرف الطوقي.
 - تركيب سلة الفرز (تراجع الصورة D)
 - لكي تقوم بالفرز يجب أن يتم تركيب سلة الفرز 2 على وحدة الدفع 1.
 - افتح ذراع الشد 10 بوحدة الدفع، إن كانت مغلقة.
 - طابق السهمين المزودجين على وحدة الدفع وسلة الفرز 2.
 - ادفع وحدة الدفع إلى داخل سلة الفرز وافتل وحدة الدفع باتجاه حركة عقارب الساعة إلى أن يدل الدليل ▲ على الرمز ■.
 - تابع بدفع وحدة الدفع إلى داخل سلة الفرز.
 - بعد التركيب تقتل سلة الفرز بالدليل ▲ نحو الرمز ■ على وحدة الدفع.
 - اغلق ذراع الشد.
 - ◀ تفحص بعد التركيب دائماً، إحكام ثبات وحدة الدفع في سلة الفرز.
 - غير الشد الأولي بذراع الشد 10 إن تطلب الأمر ذلك (تراجع "إعادة ضبط ذراع الشد"، الصفحة 70).
-
- تركيب غطاء سلة الفرز (تراجع الصورة E)
 - تحمى سلة الفرز عند استخدام ماكينة الفرز بشكل شديد. ويمكن تركيب غطاء لسلة الفرز (من التوايح) في هذه الحالة لوقاية اليدين.
 - انزع ذراع الشد 10.
 - ركز غطاء سلة الفرز 15 على سلة الفرز 2 من الأعلى.
 - أعد إحكام ربط ذراع الشد بحيث تثبت وحدة الدفع 1 في سلة الفرز بأمان عندما تكون ذراع الشد مغلقة.
-
- استبدال الظرف الطوقي (تراجع الصورة B)
 - يجب استبدال صامولة الزنق مع الظرف الطوقي 5 قبل تركيب لقمة الفرز، حسب لقمة الفرز المستخدمة. إن تم تركيب الظرف الطوقي الملائم للقمة الفرز، فاتباع خطوات العمل المذكورة في الفقرة "تركيب لقم الفرز".
 - يجب أن يركب الظرف الطوقي 12 في صامولة الزنق بتخلخل بسيط. يجب أن تسمح صامولة الزنق 5 بتركيبها بسهولة. إن كان هناك تلف بصامولة الزنق أو بالظرف الطوقي، توجب استبدالهما فوراً.
 - اكبس مفتاح تثبيت محور الدوران 9 وحافظ على إبقائه مكبوساً. افتل محور دوران المحرك عند الضرورة بواسطة اليد إلى أن يتعاشق. (تراجع الصورة C1)
 - فك صامولة الزنق 5 بواسطة مفتاح الربط المفتوح الفك 14 بفتلها بعكس اتجاه حركة عقارب الساعة.
 - اطلق مفتاح تثبيت محور الدوران.
 - نظف جميع القطع المرغوب تركيبها عند الضرورة قبل التركيب بواسطة فرشاة طرية أو من خلال نفخها بالهواء المضغوط.
 - ركز صامولة الزنق الجديدة على حاضن العدة 13.
 - شد صامولة الزنق بخفة.
 - ◀ لا تحكّم شد الظرف الطوقي بصامولة الزنق أبداً، ما دام لم يتم تركيب لقمة الفرز. قد يؤدي ذلك إلى إتلاف الظرف الطوقي.
 - تركيب لقم الفرز (تراجع الصور C1-C2)
 - تتوفر لقم الفرز بطرازات ونوعيات مختلفة حسب غرض الاستخدام المطلوب.
 - إن لقم الفرز المصنوعة من الفولاذ العالي القدرة والسرعة القطع (HSS) تصلح لمعالجة مواد الشغل الطرية كالحشب اللين واللذان.
 - إن لقم الفرز المزودة بحد قطع من المعدن الصلب (HM) تصلح بشكل خاص لمعالجة مواد الشغل القاسية والحاقة كالحشب الصلب والألمنيوم.
 - تتوفر عدد الفرز الأصلية من برنامج بوش الواسع النطاق لدى التاجر المختص.
 - ركب لقم الفرز السليمة والنظيفة فقط.
 - اكبس مفتاح تثبيت محور الدوران 9 وحافظ على إبقائه مكبوساً. افتل محور دوران المحرك عند الضرورة بواسطة اليد إلى أن يتعاشق. (تراجع الصورة C1)
 - حل صامولة الزنق 5 بفتلها بعكس اتجاه حركة عقارب الساعة بواسطة مفتاح الربط المفتوح الفك 14. (تراجع الصورة C2)
 - ادفع لقمة الفرز إلى داخل الظرف الطوقي. يجب أن تغرز ساق لقمة الفرز في الظرف الطوقي بمقدار 20 مم على الأقل.
 - أعد إحكام شد صامولة الزنق بفتلها باتجاه حركة عقارب الساعة.

البيانات الفنية

ماكينة تفرير GMR 1 Professional	
3 601 FOA 0..	رقم الصنف
550	القدرة الاسمية المقنية واط
33000	عدد الدوران اللاهلي دقيقة ⁻¹
6	حاضن العدة مم
1/4	بوصة
1,5	الوزن حسب EPTA-Procedure 01/2003 كغ
II/□	فئة الوقاية
القيم سارية المفعول للجهود الاسمية 240/230 فولط [U]. قد تتفاوت هذه القيم عندما يقل الجهد عن ذلك أو بطرازات خاصة ببلدان معينة. يرجى مراعاة رقم الصنف على لافتة طراز عدتك الكهربائية. قد تختلف التسميات التجارية لبعض العدد الكهربائية المفردة.	

التركيب

استبدال العدد

- ◀ اسحب القابس من مقبس الشبكة الكهربائية قبل إجراء أي عمل على العدة الكهربائية.
- ◀ ينصح بارتداء قفازات واقية عند تركيب واستبدال لقم الفرز.
- فك سلة الفرز (تراجع الصورة **A**)
- قبل أن تتمكن من تركيب لقم الفرز، يجب أن تفصل سلة الفرز **2** عن وحدة الدفع **1** أولاً.
- افتح ذراع الشد **10** وافتل سلة الفرز **2** بالدليل ▲ نحو الرمز ■ بوحدة الدفع **1**.
- اسحب وحدة الدفع إلى الأعلى حتى التصادم.
- افتل وحدة الدفع بعكس اتجاه حركة عقارب الساعة حتى التصادم واسحبها عن سلة الفرز.

الاستعمال المخصص

العدة الكهربائية مخصصة لفرز الحزوز والحواف والأشكال الجانبية والثقوب الطولية بالخشب واللداين ومواد البناء الخفيفة بالتركيز الثابت وتصلح أيضاً لفرز النسخ.

الأجزاء المصورة

تستند أرقام الأجزاء المصورة إلى صور العدة الكهربائية على صفحات الرسوم التخطيطية.

- 1 وحدة الدفع
- 2 سلة الفرز
- 3 عجلة الضبط الدقيق لعمق الفرز
- 4 لقم الفرز *
- 5 صامولة زنق مع ظرف طوقي
- 6 صفيحة ازلاق
- 7 صفيحة القاعدة
- 8 مقياس ضبط عمق الفرز
- 9 زر تثبيت محور الدوران
- 10 ذراع شد
- 11 مفتاح التشغيل والإطفاء
- 12 ظرف طوقي
- 13 حاضن العدة
- 14 مفتاح ربط مفتوح الفك (17 مم)
- 15 غطاء سلة الفرز
- 16 جلبة نسخ *
- 17 مصد التوازي
- 18 لولب مجنح لتثبيت المصد
- 19 لولب مجنح لمصد التوازي
- 20 مساعد توجيه *
- 21 بكرة ازلاق
- 22 لولب مجنح لتثبيت التحاذي الأفقي
- 23 لولب مجنح للتحاذي الأفقي لمساعد التوجيه
- 24 صامولة لضبط قوة الشد

* لا يتضمن إطار التوريد الاعتيادي التوازي المصورة أو الموصوفة. يعثر على التوازي الكاملة في برنامجنا للتوازي.

- 4 يجب أن تتلائم لقم الفرز أو غيرها من التوابع مع حاضن العدة (الظرف الطوقي) بعدتك الكهربائية بشكل دقيق. إن عدد الشغل التي لا تتلائم مع حاضن عدد العدة الكهربائية بشكل دقيق تدور بشكل غير منتظم وتمتد بشدة وقد تؤدي إلى فقدان التحكم بالعدة.
- 4 وجه العدة الكهربائية نحو قطعة الشغل فقط عندما تكون في حالة التشغيل. قد يتشكل خطر الصدمات الارتدادية إن تكلبت عدة الشغل في قطعة الشغل.
- 4 لا تقوم بالتفريز أبداً عبر القطع المعدنية أو المسامير واللواب. قد تتلف لقمة الفرز، فتؤدي إلى اهتزازات زائدة.
- 4 المس العدة الكهربائية من قبل سطوح القبض الموزولة فقط، إن كنت تنفذ الأعمال التي من الجائز أن تصيب خلالها عدة الشغل الخطوط الكهربائية المخفية أو كابل الشبكة الكهربائية الخاص بالجهاز. إن ملامسة خطوط يسري بها جهد كهربائي تكهرب الأجزاء المعدنية بالعدة الكهربائية أيضاً وتؤدي إلى صدمة كهربائية.
- 4 استخدم أجهزة تنقيب مناسبة للمعثر على خطوط الإمداد المخفية أو استعن بشركة الإمداد المحلية. قد تؤدي ملامسة الخطوط الكهربائية إلى اندلاع النار وإلى الصدمات الكهربائية. إنلاف خط الغاز قد يؤدي إلى حدوث انفجار. اختراق خط الماء يؤدي إلى الأضرار المادية.
- 4 لا تستخدم لقم الفرز الثالثة أو التالفة. إن لقم الفرز الثالثة أو التالفة تنتج احتكاك زائد، وقد تنمط وتؤدي إلى اختلال التوازن.
- 4 أمن قطعة الشغل. يتم القبض على قطعة الشغل التي تم تثبيتها بواسطة تجهيزة شد أو بواسطة الملزمة بأمان أكبر مما لو تم المسك بها بواسطة يدك.
- 4 انتظر إلى أن تتوقف العدة الكهربائية عن الحركة قبل أن تضعها جانباً. قد تتكلم عدة الشغل فتؤدي إلى فقدان السيطرة على العدة الكهربائية.
- 4 لا تستعمل العدة الكهربائية إن كان الكابل الكهربائي تالف. لا تلمس الكابل التالف واسحب قابس الشبكة الكهربائية إن أصيب الكابل بتلف أثناء مزاولة الشغل. تزيد الكابلات الكهربائية التالفة من خطر الإصابة بصدمة كهربائية.

وصف العمل

اقرأ جميع الملاحظات التحذيرية والتعليمات. إن ارتكاب الأخطاء عند تطبيق الملاحظات التحذيرية والتعليمات قد يؤدي إلى الصدمات الكهربائية، إلى نشوب الحرائق و/أو الإصابة بجروح خطيرة.



يرجى فتح الصفحة القابلة للثني التي تتضمن صور العدة الكهربائية وترك هذه الصفحة مفتوحة أثناء قراءة كراسة الاستعمال.

4 حسن معاملة واستخدام العدد الكهربائية

- (a) لا تفرط بتحميل الجهاز. استخدم لتنفيذ أشغالك العدة الكهربائية المخصصة لذلك. إنك تعمل بشكل أفضل وأكثر أماناً بواسطة العدة الكهربائية الملائمة في مجال الأداء المذكور.
- (b) لا تستخدم العدة الكهربائية إن كان مفتاح تشغيلها تالف. العدة الكهربائية التي لم تعد تسمح بتشغيلها أو بإطفائها خطيرة ويجب أن يتم تصليحها.
- (c) اسحب القابس من القابس و/أو انزع المرحم قبل ضبط الجهاز وقبل استبدال قطع التوابع أو قبل وضع الجهاز جانباً. تمتع إجراءات الاحتياط هذه بتشغيل العدة الكهربائية بشكل غير مقصود.
- (d) احتفظ بالعدد الكهربائية التي لا يتم استخدامها بعيداً عن منال الأطفال. لا تسمح باستخدام العدة الكهربائية لمن لا خبرة له بها أو لمن لم يقرأ تلك التعليمات. العدد الكهربائية خطيرة إن تم استخدامها من قبل أشخاص دون خبرة.
- (e) اعتن بالعدة الكهربائية بشكل جيد. تفحص عما إذا كانت أجزاء الجهاز المتحركة تعمل بشكل سليم وبأنها غير مستعصية عن الحركة أو إن كانت هناك أجزاء مكسورة أو تالفة لدرجة تؤثر فيها على حسن أداء العدة الكهربائية. ينبغي تصليح هذه الأجزاء التالفة قبل إعادة تشغيل الجهاز. الكثير من الحوادث مصدرها العدد الكهربائية التي تم صيانتها بشكل رديء.
- (f) حافظ على إبقاء عدد القطع نظيفة وحادة. إن عدد القطع ذات حواف القطع الحادة التي تم صيانتها بعناية تتكلم بشكل أقل ويمكن توجيهها بشكل أسير.
- (g) استخدم العدد الكهربائية والتوابع وعدد الشغل وإلخ. حسب هذه التعليمات. تراعى أثناء ذلك شروط الشغل والعمل المراد تنفيذه. استخدام العدد الكهربائية لغرض الأشغال المخصصة لأجلها قد يؤدي إلى حدوث الحالات الخطيرة.

5 الخدمة

- (a) اسمح بتصليح عدتك الكهربائية فقط من قبل العمال المتخصصين فقط باستعمال قطع الغيار الأصلية. يؤمن ذلك المحافظة على أمان الجهاز.

تعليمات الأمان لماكينات التفريز

- 4 يجب أن يطابق عدد دوران عدة الشغل المسموح على الأقل عدد الدوران الأقصى المذكور على العدة الكهربائية. قد تتلف التوابع التي تدور بسرعة تزيد عن السرعة المسموحة.

تعليمات الأمان

ملاحظات تحذيرية عامة للعدد الكهربائي

تحذير اقرأ جميع الملاحظات التحذيرية والتعليمات. إن ارتكاب الأخطاء عند تطبيق الملاحظات التحذيرية والتعليمات قد يؤدي إلى الصدمات الكهربائية، إلى نشوب الحرائق و/أو الإصابة بجروح خطيرة.

احتفظ بجميع الملاحظات التحذيرية والتعليمات للمستقبل.

يقصد بمصطلح "العدة الكهربائية" المستخدم في الملاحظات التحذيرية، العدد الكهربائي الموصولة بالشبكة الكهربائية (بواسطة كابل الشبكة الكهربائية) وأيضاً العدد الكهربائي المزودة بمركم (دون كابل الشبكة الكهربائية).

1 الأمان بمكان الشغل

(a) حافظ على نظافة وحسن إضاءة مكان شغلك. الفوضى في مكان الشغل ومجالات العمل الغير مضاءة قد تؤدي إلى حدوث الحوادث.

(b) لا تشغل بالعدة الكهربائية في محيط معرض لخطر الانفجار والذي تتوفر فيه السوائل أو الغازات أو الأبخرة القابلة للاشتعال. العدد الكهربائي تشكل الشرر الذي قد يتطاير، فيشعل الأبخرة والأبخرة.

(c) حافظ على بقاء الأطفال وغيرهم من الأشخاص على بعد عندما تستعمل العدة الكهربائية. قد تفقد السيطرة على الجهاز عند التلهي.

2 الأمان الكهربائي

(a) يجب أن يتلائم قابس وصل العدة الكهربائية مع المقبس. لا يجوز تغيير القابس بأي حال من الأحوال. لا تستعمل القوايس المهايئة مع العدد الكهربائي المؤرصة تأريض وقائي. تخفّض القوايس التي لم يتمّ تغييرها والمقابس الملائمة من خطر الصدمات الكهربائية.

(b) تجنب ملامسة السطوح المؤرصة كالأنابيب ورادياتورات التدفئة والمدافئ أو البرادات بواسطة جسمك. يزداد خطر الصدمات الكهربائية عندما يكون جسمك مؤرض.

(c) أبعد العدة الكهربائية عن الأمطار أو الرطوبة. يزداد خطر الصدمات الكهربائية إن تسرب الماء إلى داخل العدة الكهربائية.

(d) لا تسيء استعمال الكابل لحمل العدة الكهربائية أو لتعليقها أو لسحب القابس من المقبس. حافظ على إبعاد الكابل عن الحرارة والزيت والحواف الحادة أو عن أجزاء الجهاز المتحركة. تزيد الكابلات النالفة أو المتشابكة من خطر الصدمات الكهربائية.

(e) استخدم فقط كابلات التمديد الصالحة للاستعمال الخارجي أيضاً عندما تشغل بالعدة الكهربائية في الحلاء. يخفّض استعمال كابل تمديد مخصص للاستعمال الخارجي من خطر الصدمات الكهربائية.

(f) إن لم يكن بالإمكان تجنب تشغيل العدة الكهربائية في الأجواء الرطبة، فاستخدم مفتاح للوقاية من التيار المتخلف. إن استخدام مفتاح للوقاية من التيار المتخلف يقلل خطر الصدمات الكهربائية.

3 أمان الأشخاص

(a) كن يقظاً وانتبه إلى ما تفعله وقم بالعمل بواسطة العدة الكهربائية بتعتل. لا تستخدم عدة كهربائية عندما تكون متعب أو عندما تكون تحت تأثير المخدرات أو الكحول أو الأدوية. عدم الانتباه للحظة واحدة عند استخدام العدة الكهربائية قد يؤدي إلى إصابات خطيرة.

(b) ارتد عتاد الوقاية الخاص وارتد دائماً نظارات واقية. يجد ارتداء عتاد الوقاية الخاص، كفتاح الوقاية من الغبار وأحذية الأمان الواقية من الانزلاق والخوذ أو واقية الأذنين، حسب نوع واستعمال العدة الكهربائية، من خطر الإصابة بجروح.

(c) تجنب التشغيل بشكل غير مقصود. تأكد من كون العدة الكهربائية مغطاة قبل وصلها بإمداد التيار الكهربائي و/أو بالمركم، وقبل رفعها أو حملها. إن كنت تضع إصبعك على المفتاح أثناء حمل العدة الكهربائية أو إن وصلت الجهاز بالشبكة الكهربائية عندما يكون قيد التشغيل، فقد يؤدي ذلك إلى حدوث الحوادث.

(d) انزع عدد الضبط أو مفتاح الربط قبل تشغيل العدة الكهربائية. قد تؤدي العدة أو المفتاح المتواجد في جزء دوار من الجهاز إلى الإصابة بجروح.

(e) تجنب أوضاع الجسم الغير طبيعية. قف بأمان وحافظ على توازنك دائماً. سيسمح لك ذلك من السيطرة على الجهاز بشكل أفضل في المواقف الغير متوقعة.

(f) ارتد ثياب مناسبة. لا ترتد الثياب الفضفاضة أو الحلى. حافظ على إبقاء الشعر والثياب والقفازات على بعد عن أجزاء الجهاز المتحركة. قد تشابك الثياب الفضفاضة والحلى والشعر الطويل بالأجزاء المتحركة.

(g) إن جاز تركيب تجهيزات شطف وتجميع الغبار، فتأكد من أنها موصولة وبأنه يتم استخدامها بشكل سليم. قد يقلل استخدام تجهيزات لشطف الأبخرة من المخاطر الناتجة عن الأبخرة.

خدمات پس از فروش و مشاوره با مشتریان

دفتر خدمات پس از فروش به سئوالات شما در باره تعمیرات، سرویس و همچنین قطعات یدکی و متعلقات پاسخ خواهد داد. تصاویر و اطلاعات در باره قطعات یدکی و متعلقات را میتوانید در سایت نامبرده ذیل جستجو نمایید:

www.bosch-pt.com

تیم مشاور خدمات پس از فروش شرکت بوش با کمال میل به سئوالات شما در باره خرید، طرز استفاده و تنظیم محصولات و متعلقات پاسخ میدهد.

برای استفاده از گارانتی، تعمیر دستگاه و تهیه ابزار یدکی فقط به افراد متخصص مراجعه کنید.

از دور خارج کردن دستگاه

ابزار برقی، متعلقات و بسته بندی آن، باید طبق مقررات حفظ محیط زیست از دور خارج و بازیافت شوند.

حق هرگونه تغییری محفوظ است.

نحوه تنظیم اهرم برای باز و بسته نمودن پایه دستگاه فرز (رجوع شود به تصویر M)

چنانچه واحد محرکه 1 دستگاه فرز دیگر ثابت و محکم در پایه دستگاه فرز قرار نگیرد، باید میزان نیروی مهار اهرم نگهدارنده 10 را مجدداً تنظیم کنید.

- اهرم باز و بسته نمودن پایه دستگاه فرز را باز کنید.
- مهره 24 را بوسیله یک آچار تخت (8 mm) تقریباً 45° درجه در جهت حرکت عقربه ساعت بچرخانید.
- اهرم باز و بسته نمودن پایه دستگاه فرز را مجدداً ببندید.
- کنترل کنید که آیا واحد محرکه دستگاه فرز بطور مطمئن و ثابت، مهار و نگهداشته می شود. مهره مربوطه را بیش از حد سفت نکنید.

مراقبت و سرویس

مراقبت، تعمیر و تمیز کردن دستگاه

◀ پیش از انجام هرگونه کاری بر روی ابزار الکتریکی، دوشاخه اتصال آنرا از داخل پریز برق بیرون بکشید.

◀ ابزار الکتریکی و شیارهای تهویه آنرا تمیز نگاه دارید. تا ایمنی شما در کار تضمین گردد.

در صورت نیاز به یک کابل یدکی برای اتصال به شبکه برق، بایستی به بوش و یا به نمایندگی مجاز بوش (خدمات پس از فروش) برای ابزار آلات برقی بوش مراجعه کنید تا از بروز خطرات ایمنی جلوگیری بعمل آید.

در صورت از کار افتادن ابزار الکتریکی، با وجود دقت بسیاری که در مراحل تولید و آزمایش آن صورت گرفته است، باید برای تعمیر آن به یکی از تعمیرگاه های مجاز و خدمات پس از فروش ابزارآلات برقی بوش مراجعه کنید.

برای هرگونه سئوال و یا سفارش ابزار یدکی و متعلقات، حتماً شماره فنی ده رقمی کالا را مطابق برجسب روی ابزار برقی اطلاع دهید.

- چهار پیچ سرتخت استوانه ای واقع در قسمت پائین روکش کفی 6 را باز کنید و روکش کفی را بردارید.
- شابلون کپی کاری 16 را در روکش کفی قرار دهید. (رجوع شود به تصویر H2)
- روکش کفی را مجدداً به کفی 7 بوسیله پیچ، بطور آزاد ببندید. روکش کفی دستگاه باید پس از آن هنوز آزادانه قابل حرکت باشد.
- برای اینکه فاصله مابین وسط تیغه فرز و لبه شابلون کپی کاری در همه جا یکسان باشد، باید در صورت لزوم، مرکز شابلون کپی کاری و روکش کفی نسبت به هم تنظیم شوند.
- روکش کفی را طوری تنظیم کنید که تیغه فرز و شابلون کپی کاری به سمت مرکز دهانه روکش کفی تنظیم شده باشند. (رجوع شود به تصویر H3)
- روکش کفی را در همان حالت نگهداشته و پیچ ها را مجدداً سفت کنید.
- برای فرز کردن با شابلون کپی کاری 16 به شرح زیر عمل کنید:
- ابزار برقی با شابلون کپی کاری 16 را در امتداد قالب (شابلون) قرار دهید.
- ابزار برقی همراه با شابلون کپی کاری بر روی آنرا، با آوردن فشار جانبی در امتداد قالب حرکت دهید.
- نحوه لبه دادن (کنار تراشی) و یا فرز کردن طبق فرم (رجوع شود به تصویر A)
- برای لبه دادن و یا فرز کردن طبق فرم بدون خط کش راهنمای موازی، باید تیغه فرز به یک راهنما و یا بلبرینگ مجهز باشد.
- ابزار برقی را در حالیکه روشن است، از پهلو (سطح جانبی) به قطعه کار نزدیک کنید تا راهنما و یا بلبرینگ تیغه فرز روی لبه قطعه کار قرار بگیرد.
- ابزار برقی را در امتداد لبه قطعه کار حرکت دهید. همزمان به زاویه قرار گرفتن آن بر روی قطعه کار توجه داشته باشید. فشار بیش از حد می تواند به لبه قطعه کار آسیب وارد کند.
- نحوه فرز کاری بوسیله خط کش راهنمای موازی (رجوع شود به تصویر K)
- برای برش و فرز کردن به موازات لبه، می توانید خط کش راهنمای موازی 17 را نصب کنید.
- خط کش راهنمای موازی 17 را به پایه 2 دستگاه فرز بوسیله پیچ خروسی 18 محکم کنید.
- بوسیله پیچ خروسی موجود برای خط کش راهنمای موازی 19 عمق مورد نظر را تنظیم کنید.
- ابزار برقی را در حالیکه روشن است با حرکت یکنواخت و آوردن فشار جانبی بر روی خط کش راهنمای موازی، در امتداد لبه قطعه کار حرکت بدهید.
- نحوه فرز کاری با راهنما یا هادی کمکی (رجوع شود به تصویر L)
- هادی کمکی 20 برای فرز کردن لبه ها بدون استفاده از راهنما و یا بلبرینگ مورد استفاده قرار می گیرد.
- هادی کمکی را به پایه 2 دستگاه فرز، بوسیله پیچ خروسی 18 متصل کنید.
- ابزار برقی را با حرکت یکنواخت در امتداد لبه قطعه کار به جلو برانید.
- فاصله جانبی: برای تغییر مقدار و میزان لایه برداری از قطعه کار، می توانید فاصله جانبی مابین قطعه کار و قرقره راهنمای 21 را در هادی کمکی 20 تنظیم کنید.
- پیچ خروسی 22 را شل کنید و فاصله جانبی مورد نظر را بوسیله پیچاندن پیچ خروسی 23 تنظیم کنید و سپس پیچ خروسی 22 را مجدداً سفت کنید.
- ارتفاع: بر حسب نوع تیغه فرز مورد استفاده و ضخامت قطعه کار، اندازه مسیر عمودی هادی کمکی را تنظیم کنید.
- پیچ خروسی 18 واقع در هادی کمکی را شل کنید. هادی کمکی را در وضعیت مورد نظر قرار دهید و سپس پیچ خروسی را مجدداً سفت کنید.

طرز کار با دستگاه

راهنمایی های عملی

- ◀ تیغه فرز را در برابر ضربه و فشار محافظت کنید.
- جهت و روند فرز کردن (رجوع شود به تصویر G)
- ◀ اقدام به فرز کاری باید همیشه در خلاف جهت چرخش و حرکت تیغه فرز 4 انجام بشود (مخالف جهت چرخش). هنگام فرز کردن در جهت چرخش تیغه فرز (موافق جهت چرخش) ممکن است ابزار برقی پرش داشته و کنترل آن از دست شما خارج شود.
- ◀ از این ابزار برقی فقط در صورت متصل بودن پایه 2 دستگاه فرز استفاده کنید. از دست دادن کنترل بر روی دستگاه می تواند جراحات هایی را منجر شود.
- ◀ پیش از شروع به پروسه فرز کاری، کنترل کنید که آیا پایه دستگاه فرز با علامتگذاری ▲ روی علامت □ موجود بر روی واحد محرکه 1 دستگاه فرز قرار دارد.
- تذکر: توجه داشته باشید که تیغه فرز 4 همیشه بیرون از کفی 7 قرار داشته باشد. به شابلون و یا قطعه کار آسیبی وارد نکنید.
- عمق فرز مورد نظر را تنظیم کنید (رجوع شود به مبحث «نحوه تنظیم عمق فرز کاری»، صفحه 78).
- ابزار برقی را روشن کنید و آنرا بطرف محل کار مورد نظر هدایت کنید.
- عمل فرز کاری را با حرکت یکنواخت انجام دهید.
- پس از انجام فرز کاری، ابزار برقی را خاموش کنید.
- ◀ هرگز این ابزار برقی را تا قبل از توقف کامل تیغه فرز، کنار و یا زمین نگذارید. ابزارهایی که هنوز در حال چرخش و حرکت باشند، ممکن است جراحات هایی را منجر شوند.
- نحوه فرز کردن بوسیله قالب یا شابلون کپی کاری (رجوع شود به تصاویر H1-H3)
- به کمک قالب یا شابلون کپی کاری 16، می توانید طرحی از یک نمونه و همچنین قالب هایی را بر روی قطعه کار منتقل کنید.
- بر حسب ضخامت قالب و یا مدل نمونه، شابلون کپی کاری مناسب آن را انتخاب کنید. بدلیل ضخامت یا ارتفاع شابلون کپی کاری، باید حداقل ضخامت قالب 8 mm باشد. (رجوع شود به تصویر H1)
- ◀ قطر تیغه فرز را کمتر از قطر داخلی شابلون کپی کاری انتخاب کنید.

نحوه تنظیم عمق فرز کاری (رجوع شود به تصویر F)

- ◀ تنظیم عمق فرز کاری باید فقط در صورت خاموش بودن ابزار برقی انجام بگیرد.
- برای تنظیم معمولی و تقریبی عمق فرز کاری به شرح زیر عمل کنید:
 - ابزار برقی با تیغه فرز مونتاژ شده را بر روی قطعه کار قرار دهید.
 - اهرم موجود بر روی واحد محرکه، مخصوص باز و بسته نمودن پایه 10 دستگاه فرز را چنانچه بسته است، باز کنید.
 - پایه 2 دستگاه فرز با علامت ▲ را بچرخانید تا روی علامت □ قرار بگیرد و واحد محرکه دستگاه فرز را آهسته به پائین هدایت کنید تا تیغه فرز با قطعه کار تماس حاصل کند.
 - اهرم باز و بسته نمودن پایه دستگاه را ببندید.
 - مقدار اندازه گیری را روی درجه بندی 8 بخوانید و آنرا یادداشت کنید (مقایسه با صفر). این مقدار را به مقدار مورد نظر عمق فرز اضافه کنید.
 - اهرم باز و بسته نمودن پایه دستگاه فرز را باز کنید و واحد محرکه دستگاه را روی مقدار محاسبه شده در درجه بندی تنظیم کنید.
 - پایه دستگاه فرز با علامت ▲ را بچرخانید تا روی علامت □ قرار بگیرد و اهرم باز و بسته نمودن پایه دستگاه فرز را مجدداً ببندید.
 - تنظیم انجام شده عمق فرز را بوسیله امتحان عملی کنترل و در صورت لزوم آنرا اصلاح کنید.
- برای تنظیم دقیق عمق فرز به شرح زیر عمل کنید:
 - واحد محرکه دستگاه فرز، در حال باز بودن اهرم باز و بسته نمودن پایه 10 با علامت ▲، را روی علامت □ قرار بدهید.
 - توسط پیچ تنظیم 3 عمق فرز کاری مورد نظر را تنظیم کنید.
 - اهرم باز و بسته نمودن پایه دستگاه را ببندید.

راه اندازی و نحوه کاربرد دستگاه

- ◀ به ولتاژ شبکه برق توجه کنید! ولتاژ منبع جریان برق باید با مقادیر موجود بر روی برچسب ابزار الکتریکی مطابقت داشته باشد.

نحوه روشن و خاموش کردن

- برای روشن کردن ابزار برقی، کلید قطع و وصل 11 را روی 1 قرار دهید.
- برای خاموش کردن ابزار برقی، کلید قطع و وصل 11 را روی 0 قرار دهید.

نحوه نصب کردن روکش بدنه پایه دستگاه فرز (رجوع شود به تصویر E)

- در صورت استفاده زیاد از دستگاه فرز، پایه دستگاه فرز داغ می‌شود. در این صورت برای محافظت از دستان خود، می‌توان یک روکش برای بدنه پایه دستگاه فرز (متعلقات) بکار برد.
- اهرم مخصوص باز و بسته نمودن پایه 10 دستگاه فرز را بردارید.
- روکش پایه دستگاه فرز 15 را از بالا بر روی پایه دستگاه فرز 2 قرار دهید.
- اهرم باز و بسته نمودن پایه دستگاه فرز را مجدداً تا حدی محکم پیچ کنید که در صورت بسته بودن اهرم، واحد محرکه دستگاه فرز 1 بطور مطمئن در داخل پایه دستگاه فرز قرار داشته و حفظ شود.

مکش گرد، براده و تراشه

- گرد و غبار موادی مانند رنگ های دارای سرب، بعضی از چوب ها، مواد معدنی و فلزات میتوانند برای سلامتی مضر باشند. دست زدن و یا تنفس کردن گرد و غبار ممکن است که باعث بروز آلرژی و یا سبب بیماری مجاری تنفسی شخص استفاده کننده و یا افرادی که در آن نزدیکی میباشند بشود. گرد و غبارهای مخصوصی مانند گرد و غبار درخت بلوط و یا درخت راش سرطان زا هستند. بخصوص ترکیب آنها با سایر موادی که برای کار بر روی چوب (کرومات، مواد برای محافظت از چوب) بکار برده میشوند. فقط افراد متخصص مجازند با موادی که دارای آزیست میباشند کار کنند.
- توجه داشته باشید که محل کار شما از تهویه هوای کافی برخوردار باشد.
- توصیه میشود از ماسک تنفسی ایمنی با درجه فیلتر P2 استفاده کنید.
- ◀ به قوانین و مقررات معتبر در کشور خود در رابطه با استفاده از مواد و قطعات کاری توجه کنید.

- دکمه قفل شفت/محور دستگاه 9 را فشار دهید و نگهدارید. در صورت نیاز شفت یا محور موتور را بوسیله دست بچرخانید تا قفل شود. (رجوع شود به تصویر C1)
- مهره 5 را بوسیله آچار تخت 14 خلاف جهت حرکت عقربه ساعت بپیچانید و آنرا باز کنید. (رجوع شود به تصویر C2)
- سپس تیغه فرز را داخل کولت (گیره نگهدارنده) فرو کنید. میله یا شفت فرز باید حداقل 20 mm در داخل کولت قرار گرفته باشد.
- مهره مربوطه را مطابق با جهت حرکت عقربه ساعت بچرخانید و آنرا مجدداً سفت کنید.
- دکمه قفل محور دستگاه را رها کنید.
- ◀ هرگز کولت و مهره را تا زمانی که تیغه فرز مونتاژ نشده است، سفت نکنید. در غیر این صورت امکان آسیب دیدن کولت وجود دارد.

نحوه مونتاژ کردن پایه دستگاه فرز (رجوع شود به تصویر D)

- برای فرز کاری باید پایه دستگاه فرز 2 مجدداً بر روی واحد محرکه دستگاه فرز 1 نصب شود.
- اهرم موجود بر روی واحد محرکه، مخصوص باز و بسته نمودن پایه 10 دستگاه فرز را چنانچه بسته است، باز کنید.
- هر دو فلش دابل موجود بر روی واحد محرکه دستگاه فرز و پایه دستگاه فرز 2 را بر هم منطبق کنید.
- واحد محرکه دستگاه را در داخل پایه دستگاه فرز قرار دهید و واحد محرکه دستگاه فرز را در جهت حرکت عقربه ساعت تا حدی بچرخانید که علامت ▲ روی علامت ■ دیده شود.
- واحد محرکه را همچنان به داخل پایه دستگاه فرز فشار دهید.
- پس از نصب پایه دستگاه فرز، آنرا بچرخانید تا علامت ▲ روی علامت ■ موجود بر روی واحد محرکه دستگاه فرز قرار بگیرد.
- اهرم باز و بسته نمودن پایه دستگاه را ببندید.
- ◀ پس از مونتاژ همیشه کنترل کنید که آیا واحد محرکه دستگاه فرز ثابت و محکم در پایه دستگاه فرز قرار دارد.

در صورت لزوم میزان نیروی مهار اهرم 10 را تغییر دهید (رجوع شود به میحث «نحوه تنظیم اهرم برای باز و بسته نمودن پایه دستگاه فرز».

صفحه 76.

مشخصات فنی

دستگاه فرز	
GMR 1 Professional	
3 601 FOA 0..	شماره فنی
550	قدرت ورودی نامی W
33 000	سرعت در حالت آزاد min ⁻¹
6	ابزارگیر mm
1/4	inch
وزن مطابق استاندارد EPTA-Procedure 01/2003	
1,5	kg
کلاس ایمنی II/□	
مقادیر فوق برای ولتاژ نامی U] 230/240 [معتبر و مجاز میباشند. این اندازه ها ممکن است در ولتاژهای پائین تر و مدل های دیگر دستگاه. برای کشورهای دیگر در خصوص آن کشور مربوطه تغییر کنند.	
لطفاً به شماره فنی روی برچسب ابزار برقی خود توجه کنید. نامهای جاری ابزارهای برقی ممکن است متفاوت باشند.	

نصب

تعویض ابزار

- پیش از انجام هرگونه کاری بر روی ابزار الکتریکی، دوشاخه اتصال آنرا از داخل پریز برق بیرون بکشید.
- برای قرار دادن و تعویض تیغه های فرز، استفاده از دستکش ایمنی توصیه می شود.

نحوه پیاده کردن (جداسازی) پایه دستگاه فرز (رجوع شود به تصویر A)

- پیش از بتوانید تیغه فرز را جاگذاری کنید، نخست باید پایه دستگاه فرز 2 را از واحد محرکه 1 دستگاه فرز جدا کنید.
- برای این منظور اهرم باز و بسته نمودن پایه 10 را باز کنید و پایه دستگاه فرز 2 را طوری بچرخانید که علامت ▲ آن روی علامت □ موجود در واحد محرکه 1 دستگاه فرز قرار گیرد.
- واحد محرکه دستگاه فرز را تا آخرین حد ممکن بطرف بالا بکشید.
- واحد محرکه دستگاه فرز را خلاف جهت حرکت عقربه ساعت تا آخرین حد ممکن بچرخانید و آنرا از داخل پایه دستگاه فرز بیرون بکشید.

نحوه تعویض کولت (رجوع شود به تصویر B)

بر حسب نوع تیغه فرز مورد استفاده، باید پیش از جاگذاری تیغه فرز، مهره با کولت 5 را تعویض کنید. چنانچه کولت مناسب برای تیغه فرز شما نصب شده است، سپس طبق مراحل کار در مبحث «نحوه نصب و قرار دادن تیغه فرز» عمل کنید.

کولت 12 باید بطور آزاد در مهره قرار بگیرد. مهره 5 باید به آسانی قابل نصب باشد. چنانچه مهره و یا کولت آسیب دیده باشند، آنها را بلافاصله تعویض کنید.

— دکمه قفل شفت/محور دستگاه 9 را فشار دهید و نگهدارید. در صورت نیاز شفت یا محور موتور را بوسیله دست بچرخانید تا قفل شود. (رجوع شود به تصویر C1)

— مهره 5 را بوسیله یک آچار تخت 14 خلاف جهت حرکت عقربه ساعت بپیچانید و آنرا باز کنید.

— دکمه قفل محور دستگاه را رها کنید.

— در صورت لزوم همه قطعاتی که باید نصب شوند را پیش از مونتاژ، بوسیله یک برس نرم یا قلم موی نرم و یا خت فشار باد غبار زدائی کنید.

— مهره جدید را بر روی ابزار گیر 13 نصب کنید.

— مهره را کمی بپیچانید بطوری که هنوز سفت نشده باشد.

◀ هرگز کولت و مهره را تا زمانی که تیغه فرز مونتاژ نشده است،

سفت نکنید. در غیر این صورت امکان آسیب دیدن کولت وجود دارد.

نحوه نصب و قرار دادن تیغه فرز (رجوع شود به تصاویر C1-C2)

بر حسب موارد بکارگیری، تیغه های فرز در مدل ها و کیفیت های مختلف قابل دسترسی هستند.

تیغه های فرز از جنس فولاد بسیار مقاوم نوع (HSS) برای کار بر روی مواد نرم از جمله چوب های نرم و پلاستیک مناسب هستند.

تیغه های فرز از جنس فلز سخت کاربرد دار (HM) بخصوص برای موارد کاری بر روی مواد سخت از جمله چوبهای سخت و آلومینیوم مناسب هستند.

تیغه های فرز اصل از برنامه جامع متعلقات بوش را می توانید از فروشگاههای تخصصی ایتیاغ کنید.

منحصراً از تیغه های فرز سالم و تمیز استفاده کنید.

اجزاء دستگاہ

شماره اجزاء دستگاہ کہ در تصویر مشاہدہ می شود. مربوط بہ شرح و تصویر ابزار برقی می باشد کہ تصویر آن در این دفترچہ راهنما آمدہ است.

- 1 واحد محرکہ یا واحد موتور دستگاہ فرز
 - 2 پایہ دستگاہ فرز
 - 3 پیچ تنظیم دقیق عمق فرز کاری
 - 4 تیغہ یا متہ فرز *
 - 5 مهرہ و کولت (مهرہ با گیرہ نگہدارندہ)
 - 6 روکش کفی (صفحہ ہادی)
 - 7 کفی (صفحہ پایہ)
 - 8 درجہ بندی تنظیم عمق فرز کاری
 - 9 دکمہ فقل محور دستگاہ
 - 10 اہرم برای باز و بستہ نمودن پایہ دستگاہ فرز
 - 11 کلید قطع و وصل
 - 12 کولت (گیرہ نگہدارندہ)
 - 13 ابزارگیر
 - 14 آچار تخت (17 mm)
 - 15 روکش روی بدنہ پایہ دستگاہ فرز
 - 16 شابلون یا قالب کپی کاری *
 - 17 خط کش راهنمای موازی
 - 18 پیچ خروسکی برای تثبیت جانبی خط کش راهنمای فرز
 - 19 پیچ خروسکی برای خط کش راهنمای موازی
 - 20 راهنما یا ہادی کمکی *
 - 21 فرقرہ ہادی
 - 22 پیچ خروسکی برای تثبیت تنظیم افقی (متعلقات ضمیمہ در مسیر افقی)
 - 23 پیچ خروسکی برای تنظیم افقی مسیر ہادی کمکی
 - 24 مهرہ برای تنظیم میزان نیروی مہار اہرم باز و بستہ نمودن پایہ
- * کلیہ متعلقاتی کہ در تصویر و یا در متن آمدہ است. بطور معمول ہمراہ دستگاہ ارائه نمی شود. لطفاً لیست کامل متعلقات را از فہرست برنامه متعلقات اقتباس نمایند.

◀ برای پیدا کردن لولہ ہا و سیم ہای پنهان موجود در ساختمان و محدودہ کار. از یک دستگاہ مخصوص برای یافتن لولہ ہا و سیمہای تأسیسات استفادہ کنید و یا با شرکت های تأسیسات و خدمات مربوطہ تماس بگیرید. تماس با کابل برق ممکن است باعث آتشمسوزی و یا برق گرفتگی شود. ایراد و آسیب دیدگی لولہ گاز میتواند انفجار ایجاد کردہ و سوراخ شدن لولہ آب باعث ایجاد خسارت میشود.

◀ از تیغہ فرز کند و یا آسیب دیدہ استفادہ نکنید. تیغہ فرز کند و یا آسیب دیدہ باعث اصطکاک شدید می شود. ممکن است گیر کند و منجر بہ از دست دادن تعادل بشود.

◀ قطعہ کار را محکم کنید. در صورتیکہ قطعہ کار بہ وسیلہ چھیزارت نگہدارندہ و یا بوسیلہ گیرہ محکم شدہ باشد. در اینصورت قطعہ کار مطمئن تر نگہ داشته میشود. تا اینکہ بوسیلہ دست نگہداشتہ شود.

◀ قبل از کنار گذاشتن ابزار برقی صبر کنید تا دستگاہ بطور کامل از کار و حرکت بایستد. ابزار و ملحقات دستگاہ ممکن است بہ قطعہ کار گیر کردہ و کنترل ابزار برقی از دست شما خارج شود.

◀ در صورتیکہ کابل ابزار برقی آسیب دیدہ باشد. از آن استفادہ نکنید. از تماس با کابل آسیب دیدہ خود داری کردہ و در صورت آسیب دیدن کابل دستگاہ در حین کار. دو شاخہ اتصال را از داخل بریز برق بیرون آورید. کابل های آسیب دیدہ. خطر برق گرفتگی را افزایش میدہند.

تشریح عملکرد دستگاہ

کلیہ دستورات ایمنی و راهنمایی ہا را مطالعه کنید. اشتباہات ناشی از عدم رعایت این دستورات ایمنی ممکن است باعث برق گرفتگی. سوختگی و یا سایر جراحات های شدید بشود.



لطفاً صفحہ تا شدہ این دفترچہ راهنما را کہ حاوی تصویر دستگاہ است. باز کنید و هنگام خواندن این دفترچہ راهنما. آنرا باز نگہدارید.

موارد استفادہ از دستگاہ

این ابزار برقی. با داشتن پایہ و قرارگاہ محکم روی قطعہ کار. برای فرزکاری در چوب. مواد پلاستیکی و مصالح ساختمانی سبک و همچنین برای شیار درآوردن. کنار تراشی. فرزکاری پروفیل ها و سوراخهای طویل و نیز برای نمونہ سازی (کپی کاری) مناسب است.

(f) ابزار برش را تیز و تمیز نگهدارید. ابزار برشی که خوب مراقبت شده و از لبه های تیز برخوردارند. کمتر درقطعه کار گیر کرده و بهتر قابل هدایت می باشند.

(g) ابزارهای الکتریکی، متعلقات، ابزاری که روی دستگاه نصب می شوند و غیره را مطابق دستورات این جزوه راهنما طوری به کار گیرید که با مدل این دستگاه تناسب داشته باشند. همچنین به شرایط کاری و نوع کار توجه کنید. کاربرد ابزار برقی برای موارد کاری که برای آن در نظر گرفته نشده است. میتواند شرایط خطرناکی را منجر شود.

5 سرویس

(a) برای تعمیر ابزار الکتریکی فقط به متخصصین حرفه ای رجوع کرده و از وسایل یدکی اصل استفاده کنید. این باعث خواهد شد که ایمنی دستگاه شما تضمین گردد.

نکات ایمنی برای فرزها و فرزکاری

◀ سرعت و دور مجاز ابزار دستگاه باید حداقل به اندازه حداکثر سرعت قید شده روی ابزار برقی باشد. امکان از بین رفتن ابزار و متعلقاتی که با سرعت بیش از حد مجاز چرخش دارند. وجود دارد.

◀ تیغه فرز و یا سایر متعلقات باید دقیقاً در ابزارگیر (کولت) ابزار برقی جای بگیرند و متناسب آن باشند. ابزار و متعلقاتی که کاملاً منطبق با ابزارگیر دستگاه نباشند. چرخش نامنظم و نوسان های شدیدی داشته و می توانند منجر به از دست دادن کنترل بشوند.

◀ ابزار برقی را تنها در حال روشن بودن به قطعه کار نزدیک کنید. در غیر اینصورت ممکن است ابزار روی دستگاه در قطعه کار گیر کرده و باعث ضربه زدن (پس زدن) دستگاه شود.

◀ هرگز روی اشیاء فلزی، میخ و پیچ فرز کاری نکنید. امکان آسیب دیدن تیغه فرز و در نتیجه ارتعاش و نوسان شدید دستگاه وجود دارد.

◀ در صورتیکه بسته به نوع کارتان، امکان تماس ابزار الکتریکی با کابل های برق داخل ساختمان که قابل رؤیت نیستند و یا کابل خود دستگاه وجود داشته باشد، دستگاه را منحصراً از دسته و سطوح عایق دار آن در دست بگیرید. تماس با سیم و کابلی که هادی جریان برق است. می تواند در بخش های فلزی دستگاه نیز جریان برق تولید کند و باعث برق گرفتگی شود.

(e) وضعیت بدن شما باید در حالت عادی قرار داشته باشد. برای کار جای مطمئنی برای خود انتخاب کرده و تعادل خود را همواره حفظ کنید. به این ترتیب می توانید ابزار الکتریکی را در وضعیت های غیر منتظره بهتر تحت کنترل داشته باشید.

(f) لباس مناسب بپوشید. از پوشیدن لباس های گشاد و حمل زینت آلات خود داری کنید. موها، لباس و دستکش ها را از بخش های درحال چرخش دستگاه دور نگهدارید. لباس های گشاد، موی بلند و زینت آلات ممکن است در قسمت های درحال چرخش دستگاه گیرکنند.

(g) در صورتیکه میتوانید وسایل مکش گرد و غبار و یا وسیله جمع کننده گرد و غبار را به دستگاه نصب کنید، باید مطمئن شوید که این وسایل نصب و درست استفاده می شوند. استفاده از وسایل مکش گرد و غبار مصونیت شما را در برابر گرد و غبار زیاد تر میکند.

4 استفاده صحیح از ابزار الکتریکی و مراقبت از آن

(a) از وارد کردن فشار زیاد روی دستگاه خود داری کنید. برای هر کاری، از ابزار الکتریکی مناسب با آن استفاده کنید. بکار گرفتن ابزار الکتریکی مناسب باعث میشود که بتوانید از توان دستگاه بهتر و با اطمینان بیشتر استفاده کنید.

(b) در صورت ایراد در کلید قطع و وصل ابزار برقی، از دستگاه استفاده نکنید. ابزار الکتریکی که نمی توان آنها را قطع و وصل کرد. خطرناک بوده و باید تعمیر شوند.

(c) قبل از تنظیم ابزار الکتریکی، تعویض متعلقات و یا کنار گذاشتن آن، دوشاخه را از برق کشیده و یا باتری آنرا خارج کنید. رعایت این اقدامات پیشگیری ایمنی از راه افتادن ناخواسته ابزار الکتریکی جلوگیری می کند.

(d) ابزار الکتریکی را در صورت عدم استفاده، از دسترس کودکان دور نگهدارید. اجازه ندهید که افراد نا وارد و یا اشخاصی که این دفترچه راهنما را نخوانده اند، با این دستگاه کار کنند. قرار گرفتن ابزار الکتریکی در دست افراد ناوارد و بی چریه خطرناک است.

(e) از ابزار الکتریکی خوب مراقبت کنید. مواظب باشید که قسمت های متحرک دستگاه خوب کار کرده و گیر نکنند. همچنین دقت کنید که قطعات ابزار الکتریکی شکسته و یا آسیب دیده نباشند. قطعات آسیب دیده را قبل از شروع به کار تعمیر کنید. علت بسیاری از سوانح کاری، عدم مراقبت کامل از ابزارهای الکتریکی می باشد.

راهنمایی های ایمنی

راهنمایی های ایمنی عمومی برای ابزارهای الکتریکی

هشدار! همه دستورات ایمنی و راهنمایی ها را بخوانید. اشتباهات ناشی از عدم رعایت این دستورات ایمنی

مکن است باعث برق گرفتگی، سوختگی و یا سایر جراحات های شدید شود.

همه هشدار های ایمنی و راهنمایی ها را برای آینده خوب نگهداری کنید.

هرجا در این راهنما از «ابزار الکتریکی» صحبت میشود، منظور ابزارهای الکتریکی (باسیم برق) و یا ابزارهای الکتریکی باطری دار (بدون سیم برق) می باشد.

1) ایمنی محل کار

(a) محل کار خود را تمیز، مرتب و مجهز به نور کافی نگهدارید.

محیط کار نامرتب و کم نور میتواند باعث سوانح کاری شود.

(b) با ابزار الکتریکی در محیط هایی که در آن خطر انفجار

وجود داشته و حاوی مایعات، گازها و غبارهای محترقه باشد، کار نکنید. ابزارهای الکتریکی جرقه هایی ایجاد میکنند که می توانند باعث آتش گرفتن گرد و بخارهای موجود در هوا شوند.

(c) هنگام کار با ابزار الکتریکی، کودکان و سایر افراد را از

دستگاه دور نگهدارید. در صورتیکه حواس شما پرت شود، مکن است کنترل دستگاه از دست شما خارج شود.

2) ایمنی الکتریکی

(a) دوشاخه ابزار الکتریکی باید با پریز برق تناسب داشته

باشد. هیچگونه تغییری در دوشاخه ندهید. مبدل

دوشاخه نباید همراه با ابزار الکتریکی دارای اتصال به زمین استفاده شود. دوشاخه های اصل و تغییر داده نشده و پریزهای مناسب، خطر شوک الکتریکی و برق گرفتگی را کم می کنند.

(b) از تماس بدنی با قطعات متصل به سیم اتصال به زمین

مانند لوله، شومافاز، اجاق برقی و یخچال خود داری کنید. در صورت تماس بدنی با سطوح و قطعات دارای اتصال به زمین و همچنین تماس شما با زمین، خطر برق گرفتگی افزایش می یابد.

(c) دستگاه را از باران و رطوبت دور نگهدارید. نفوذ آب به ابزار

الکتریکی، خطر شوک الکتریکی را افزایش میدهد.

(d) از سیم دستگاه برای کارهایی چون حمل ابزار الکتریکی،

آویزان کردن آن و یا خارج کردن دوشاخه از برق استفاده نکنید. کابل دستگاه را در مقابل حرارت، روغن، لیه های تیز و بخش های متحرک دستگاه دور نگهدارید. کابل های آسیب دیده و یا گره خورده خطر شوک الکتریکی را افزایش میدهند.

(e) در صورتیکه با ابزار الکتریکی در محیط باز کار میکنید،

تنها از کابل رابطی استفاده کنید که برای محیط باز نیز مناسب باشد. کابل های رابط مناسب برای محیط باز خطر برق گرفتگی را کم می کنند.

(f) در صورت لزوم کار با ابزار برقی در محیط و اماکن مرطوب،

باید از یک کلید حفاظتی جریان خطا و نشستی زمین (کلید قطع کننده اتصال با زمین) استفاده کنید. استفاده از کلید حفاظتی جریان خطا و نشستی زمین خطر برق گرفتگی را کمتر می کند.

3) رعایت ایمنی اشخاص

(a) حواس خود را خوب جمع کنید، به کار خود دقت کنید و

با فکر و هوش کامل با ابزار الکتریکی کار کنید. در صورت خستگی و یا در صورتیکه مواد مخدر، الکل و دارو استفاده کرده اید، با ابزار الکتریکی کار نکنید. یک لحظه بی توجهی هنگام کار با ابزار الکتریکی، میتواند جراحات های شدیدی به همراه داشته باشد.

(b) از تجهیزات ایمنی شخصی و از عینک ایمنی همواره

استفاده کنید. استفاده از تجهیزات ایمنی مانند ماسک ایمنی، کفش های ایمنی ضد لغزش، کلاه ایمنی و گوشی ایمنی متناسب با نوع کار با ابزار الکتریکی، خطر مجروح شدن را تقلیل میدهد.

(c) مواظب باشید که ابزار الکتریکی بطور ناخواسته بکار

نیفتد. قبل از وارد کردن دوشاخه دستگاه در پریز برق، اتصال آن به باطری، برداشتن آن و یا حمل دستگاه، باید دقت کنید که ابزار الکتریکی خاموش باشد. در صورتیکه هنگام حمل دستگاه انگشت شما روی دکمه قطع و وصل باشد و یا دستگاه را در حالت روشن به برق بزنید، مکن است سوانح کاری پیش آید.

(d) قبل از روشن کردن ابزار الکتریکی، باید همه ابزارهای

تنظیم کننده و آچار ها را از روی دستگاه بردارید. ابزار و آچارهایی که روی بخش های چرخنده دستگاه قرار دارند، میتوانند باعث ایجاد جراحات شوند.