

Robert Bosch Power Tools GmbH
70538 Stuttgart
GERMANY

www.bosch-pt.com

1 609 92A 2ZZ (2015.11) T / 46



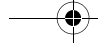
1 609 92A 2ZZ

GLL 3-15 X Professional

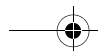


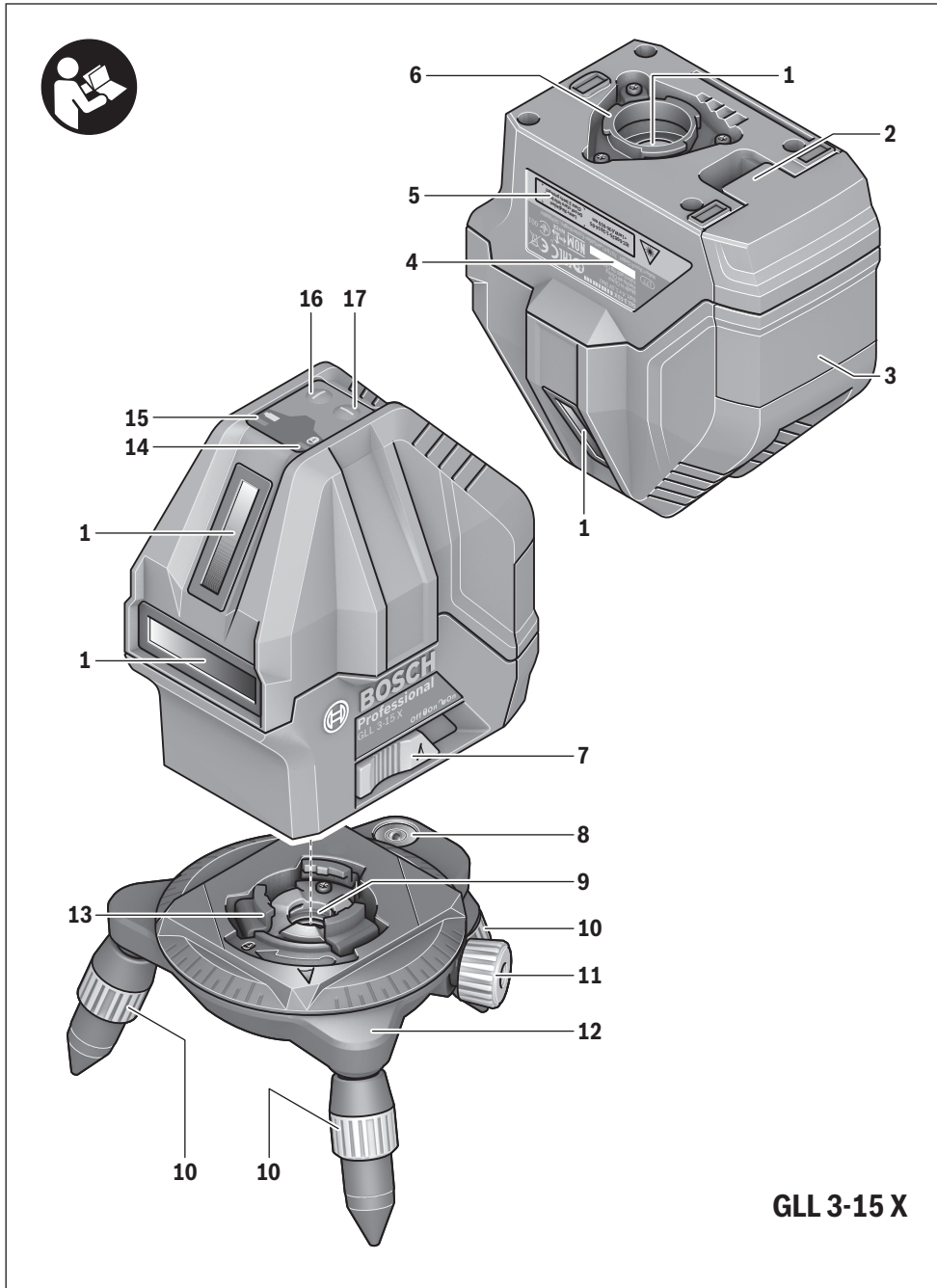
- en** Original instructions
- cn** 正本使用说明书
- tw** 原始使用說明書
- ko** 사용 설명서 원본
- th** หนังสือคู่มือการใช้งานฉบับต้นแบบ
- id** Petunjuk-Petunjuk untuk Penggunaan Orisinal
- vi** Bản gốc hướng dẫn sử dụng



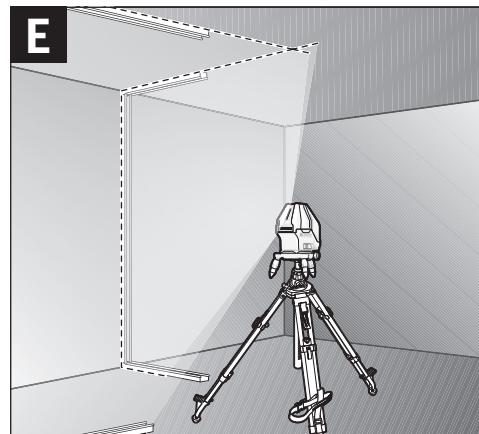
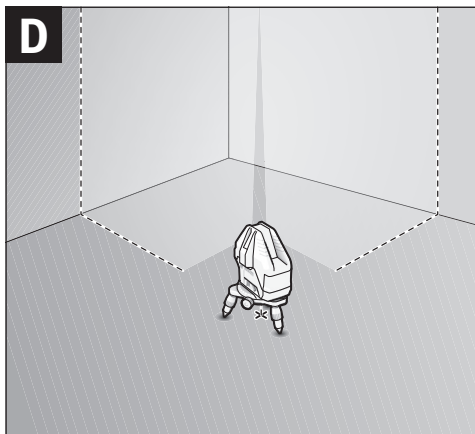
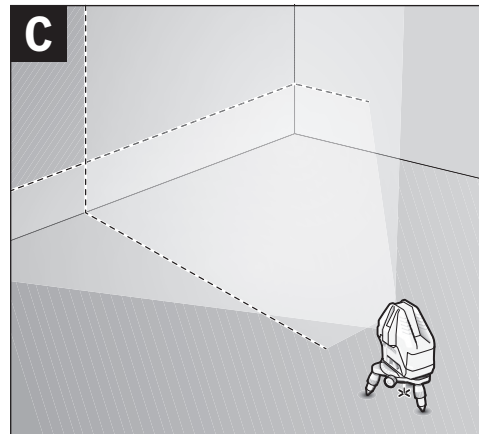
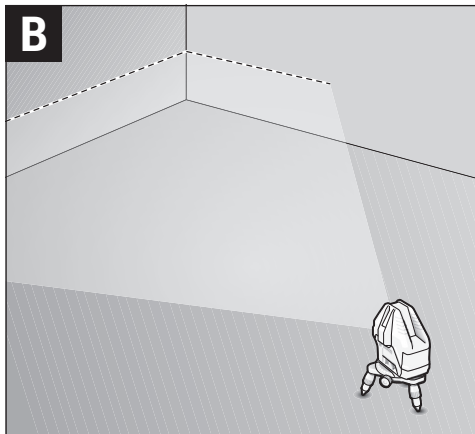
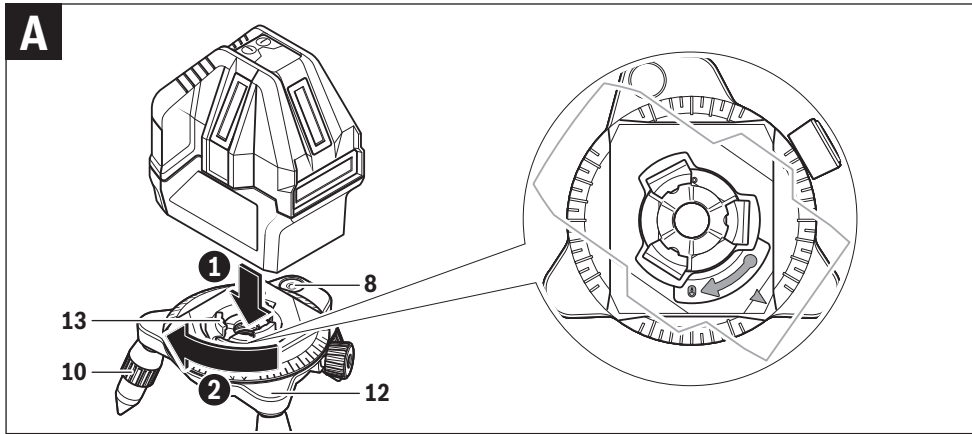


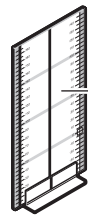
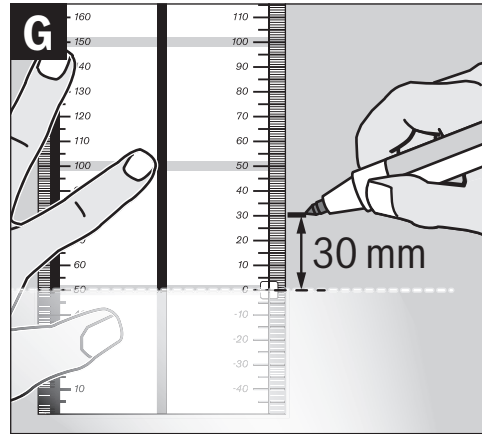
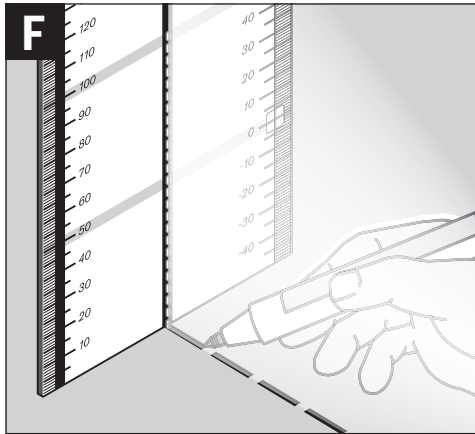
English	Page	6
中文	页	12
中文	頁	17
한국어	페이지	23
ภาษาไทย	หน้า	28
Bahasa Indonesia	Halaman	33
Tiếng Việt	Trang	39





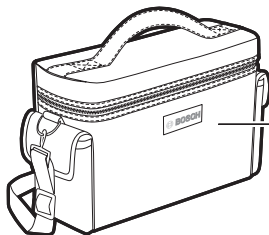
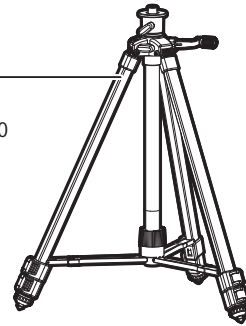
4 |





18
2 607 002 195

19
BT 150-5/8
0 601 096 C80



20



21
1 608 M00 05B

6 | English

English

Safety Notes



All instructions must be read and observed in order to work safely with the measuring tool. The integrated protections in the measuring tool may be compromised if the measuring tool is not used in accordance with the instructions provided. Never make warning signs on the measuring tool unrecognisable. **STORE THESE INSTRUCTIONS IN A SAFE PLACE AND INCLUDE THEM WITH THE MEASURING TOOL WHEN GIVING IT TO A THIRD PARTY.**

- ▶ **Caution** – The use of other operating or adjusting equipment or the application of other processing methods than those mentioned here can lead to dangerous radiation exposure.
- ▶ The measuring tool is provided with a warning label (marked with number 5 in the representation of the measuring tool on the graphics page).



- ▶ **If the text of the warning label is not in your national language, stick the provided warning label in your national language over it before operating for the first time.**



Do not direct the laser beam at persons or animals and do not stare into the direct or reflected laser beam yourself, not even from a distance. You could blind somebody, cause accidents or damage your eyes.

- ▶ **If laser radiation strikes your eye, you must deliberately close your eyes and immediately turn your head away from the beam.**
- ▶ **Do not make any modifications to the laser equipment.**
- ▶ **Do not use the laser viewing glasses as safety goggles.** The laser viewing glasses are used for improved visualisation of the laser beam, but they do not protect against laser radiation.
- ▶ **Do not use the laser viewing glasses as sun glasses or in traffic.** The laser viewing glasses do not afford complete UV protection and reduce colour perception.
- ▶ **Have the measuring tool repaired only through qualified specialists using original spare parts.** This ensures that the safety of the measuring tool is maintained.
- ▶ **Do not allow children to use the laser measuring tool without supervision.** They could unintentionally blind other persons or themselves.

- ▶ **Do not operate the measuring tool in explosive environments, such as in the presence of flammable liquids, gases or dusts.** Sparks can be created in the measuring tool which may ignite the dust or fumes.



Keep the measuring tool away from cardiac pacemakers. The magnet inside the measuring tool generates a field that can impair the function of cardiac pacemakers.

- ▶ **Keep the measuring tool away from magnetic data media and magnetically-sensitive equipment.** The effect of the magnet can lead to irreversible data loss.

Product Description and Specifications

Intended Use

The measuring tool is intended for levelling jobs with the use of horizontal lines, vertical lines and the plumb point.

Product Features

The numbering of the product features shown refers to the illustration of the measuring tool on the graphic page.

- 1 Exit opening for laser beam
- 2 Latch of battery lid
- 3 Battery lid
- 4 Serial number
- 5 Laser warning label
- 6 Locking grooves of measuring tool
- 7 On/Off switch
- 8 Vial of rotating platform
- 9 Tripod mount 5/8"
- 10 Height adjustment screw of rotating platform
- 11 Fine adjustment knob of rotating platform
- 12 Rotating platform
- 13 Locking grooves of rotating platform
- 14 Working without automatic levelling indicator
- 15 Power indicator/Battery warning
- 16 Vertical mode button
- 17 Horizontal mode button
- 18 Measuring plate with stand*
- 19 Tripod*
- 20 Protective pouch
- 21 Laser viewing glasses*

*The accessories illustrated or described are not included as standard delivery.

Technical Data

Line laser		GLL 3-15 X	
Article number		3 601 K63 M..	
Working range ¹⁾			
– Laser lines	m	15	
– Plumb point	m	5	
Levelling accuracy of laser lines typical ²⁾	mm/m	± 0.2	
Self-levelling range, typically	°	± 3	
Levelling duration, typically	s	< 4	
Operating temperature	°C	– 10 ... + 45	
Storage temperature	°C	– 20 ... + 70	
Relative air humidity, max.	%	90	
Laser class		2	
Laser type	nm	630–650	
	mW	< 1	
C ₆		1	
Tripod Mount ³⁾	"	5/8	
Batteries		4 x 1.5 V LR06 (AA)	
Operating time, approx.			
– with 1 laser line	h	24	
– with 2 laser lines	h	14	
– with 3 laser lines	h	10	
Weight according to EPTA-Procedure 01:2014	kg	0.54	
Dimensions (length x width x height)			
– without rotating platform	mm	122 x 83 x 129	
– with rotating platform	mm	Ø 151 x 203	
Degree of protection (excluding battery compartment)		IP 54*	
1) The working range can be decreased by unfavourable environmental conditions (e. g. direct sun irradiation).			
2) ex-works			
3) only available in combination with the rotating platform			
* dust and splash proof			
The measuring tool can be clearly identified with the serial number 4 on the type plate.			

Assembly

Inserting/Replacing the Batteries

Alkali-manganese batteries are recommended for the measuring tool.

To open the battery lid **3**, press on the latch **2** and remove the battery lid. Insert the batteries. When inserting, pay attention to the correct polarity according to the representation on the inside of the battery compartment.

If the battery warning **15** flashes, the batteries have to be replaced.

Always replace all batteries at the same time. Only use batteries from one brand and with the identical capacity.

► **Remove the batteries from the measuring tool when not using it for extended periods.** When storing for extended periods, the batteries can corrode and self-discharge.

Using the Rotating Platform (see figure A)

Place the measuring tool on the tool mount of the rotating platform **12** so that the locking grooves **13** of the rotating platform fit between the corresponding grooves **6** on the bottom of the measuring tool. Turn the measuring tool clockwise to lock it on the rotating platform.

Extend the legs of the rotating platform using the height adjustment screws **10**. Roughly align the rotating platform using the vial **8**.

Operation

Initial Operation

► **Protect the measuring tool against moisture and direct sun light.**

► **Do not subject the measuring tool to extreme temperatures or variations in temperature.** As an example, do not leave it in vehicles for a long time. In case of large variations in temperature, allow the measuring tool to adjust to the ambient temperature before putting it into operation. In case of extreme temperatures or variations in temperature, the accuracy of the measuring tool can be impaired.

► **Avoid heavy impact or falling of the measuring tool.** After heavy exterior impact on the measuring tool, an accuracy check should always be carried out before continuing to work (see "Levelling Accuracy").

► **Switch the measuring tool off during transport.** When switching off, the levelling unit, which can be damaged in case of intense movement, is locked.

Switching On and Off

To **switch on** the measuring tool, slide the on/off switch **7** to the "On" position (for working without automatic levelling) or to the "On" position (for working with automatic levelling). The power indicator **15** lights up and the measuring tool immediately sends a horizontal laser line out of the front exit opening **1**.

► **Do not point the laser beam at persons or animals and do not look into the laser beam yourself, not even from a large distance.**

To **switch off** the measuring tool, slide the on/off switch **7** to the "Off" position. The power indicator **15** goes out. The pendulum unit is locked when the tool is switched off.

When exceeding the maximum permitted operating temperature of 45 °C, the measuring tool switches off to protect the laser diode. After cooling down, the measuring tool is ready for operation and can be switched on again.

8 | English

Deactivating the Automatic Shut-off

The measuring tool automatically switches itself off after 30 minutes of operation. To deactivate the automatic shut-off, hold down either the vertical mode button **16** or the horizontal mode button **17** for 3 seconds when switching on the measuring tool. The laser lines will flash briefly after 3 seconds if the automatic shut-off is deactivated.

► **Do not leave the switched-on measuring tool unattended and switch the measuring tool off after use.** Other persons could be blinded by the laser beam.

To activate the automatic shut-off, switch the measuring tool off and on again (without holding down a button).

Operation Modes (see figures B – D)

The horizontal and vertical modes can be switched on and off independently of each other. All operation modes can be used both with and without automatic levelling.

Horizontal operation

After it has been switched on, the measuring tool is in horizontal mode and emits a horizontal laser line forwards.

To switch the horizontal laser line off or on, press the horizontal mode **17** button.

Vertical mode and plumb point

The measuring tool has two vertical operation modes:

- vertical laser line forwards
- vertical laser line forwards and to the side

A plumb point is additionally projected downwards in all vertical operation modes.

To switch the vertical mode on/off or to change the vertical operation mode, press the vertical mode **16** button repeatedly until the required operation mode is reached.

If the measuring tool is mounted on the rotating platform **12**, you can precisely align the vertical laser lines to reference points using the fine adjustment knob **11**.

Automatic Levelling**Working with Automatic Levelling**

Position the measuring tool on a level, firm support or attach it to the rotating platform **12**.

When working with automatic levelling, push the On/Off switch **7** to the “**On**” position.

After switching on, the levelling function automatically compensates irregularities within the self-levelling range of $\pm 3^\circ$. The levelling is finished as soon as the laser beams do not move any more.

If automatic levelling is not possible, e.g. because the surface on which the measuring tool stands deviates by more than 3° from the horizontal plane, the laser lines will begin to flash quickly.

Set up the measuring tool in a level position and wait for the self-levelling to take place. As soon as the measuring tool is within the self-levelling range of $\pm 3^\circ$, the laser lines will light up continuously.

In case of ground vibrations or position changes during operation, the measuring tool is automatically levelled again. Upon re-levelling, check the position of the laser lines with regard to the reference points to avoid errors.

Working without Automatic Levelling

For work without automatic levelling, slide the on/off switch **7** to the “**On**” position. When automatic levelling is switched off, the indicator **14** lights up red and the laser lines continuously flash slowly.

When automatic levelling is switched off, you can hold the measuring tool freely in your hand or place it on an inclined surface. The laser lines no longer necessarily run perpendicular to each other.

Levelling Accuracy**Influences on Accuracy**

The ambient temperature has the greatest influence. Especially temperature differences occurring from the ground upward can divert the laser beam.

As thermal fluctuation is largest close to the ground, the measuring tool, if possible, should be mounted on the tripod **19** and placed in the centre of the working area.

In addition to external influences, device-specific influences (e.g. falls or heavy impacts) can also lead to deviations. For this reason, check the levelling accuracy each time before beginning work.

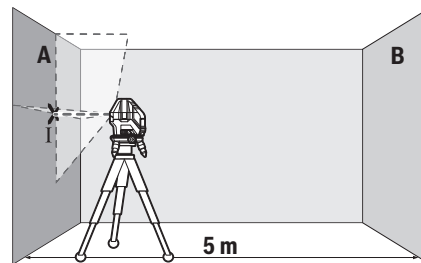
First check the height accuracy and levelling accuracy of the horizontal laser line, then the levelling accuracy of the vertical laser lines.

Should the measuring tool exceed the maximum deviation during one of the tests, please have it repaired by a Bosch after-sales service.

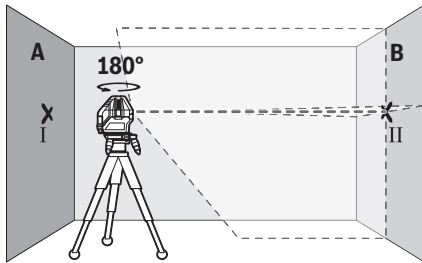
Checking the Height Accuracy of the Horizontal Line

For this check, a free measuring distance of 5 m on a firm surface between two walls A and B is required.

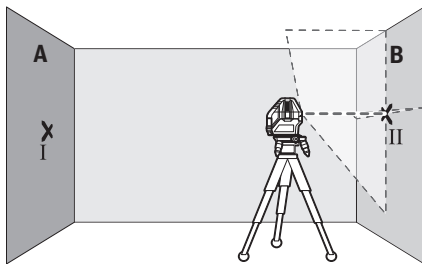
- Mount the measuring tool close to wall A on the rotating platform or a tripod, or place it on a firm, flat surface. Switch on the measuring tool in the mode with automatic levelling. Switch on horizontal mode and any vertical operation mode.



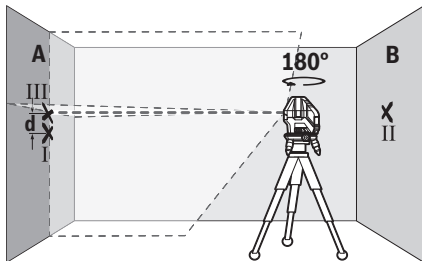
- Direct the laser against the close wall A and allow the measuring tool to level in. Mark the centre of the point where the laser lines cross each other on the wall (point I).



- Turn the measuring tool by 180°, allow it to level in and mark the cross point of the laser lines on the opposite wall B (point II).
- Without turning the measuring tool, position it close to wall B. Switch the measuring tool on and allow it to level in.



- Align the height of the measuring tool (using a tripod or by underlaying, if required) in such a manner that the cross point of the laser lines is projected against the previously marked point II on the wall B.



- Without changing the height, turn around the measuring tool by 180°. Direct it against the wall A in such a manner that the vertical laser line runs through the already marked point I. Allow the measuring tool to level in and mark the cross point of the laser lines on the wall A (point III).
- The difference **d** of both marked points I and III on wall A indicates the actual height deviation of the measuring tool.

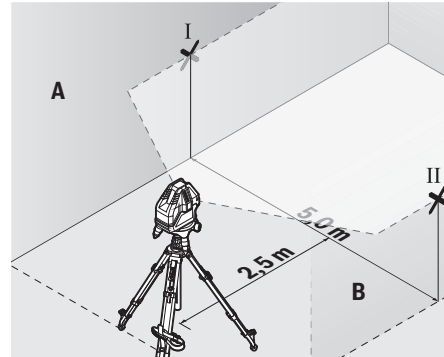
The maximum permitted deviation d_{\max} can be calculated as follows:

$d_{\max} = \text{double the distance between the walls} \times 0.2 \text{ mm/m}$
 Example: If the distance between the walls is 5 m, the maximum deviation is
 $d_{\max} = 2 \times 5 \text{ m} \times 0.2 \text{ mm/m} = 2 \text{ mm}$. The marks must therefore be maximum 2 mm apart.

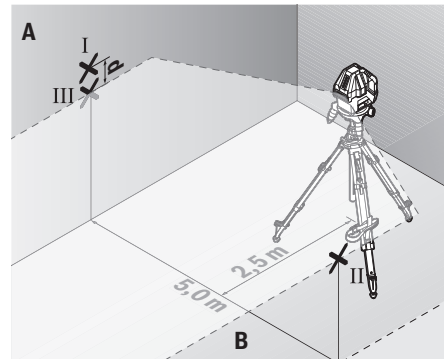
Checking the Levelling Accuracy of the Horizontal Line

For the check, a free surface of approx. 5 x 5 metres is required.

- Mount the measuring tool in the middle between walls A and B on the rotating platform or a tripod, or place it on a firm, flat surface. Switch on the measuring tool in the mode with automatic levelling. Switch on horizontal mode and allow the measuring tool to level in.



- At a distance of 2.5 metres from the measuring tool, mark the centre of the laser line (point I on wall A and point II on wall B) on both walls.



- Set up the measuring tool 5 metres away turned by 180° and allow it to level in.
- Align the height of the measuring tool (using a tripod or by underlaying, if required) in such a manner that the centre of the laser line is projected exactly against the previously marked point II on wall B.
- Mark the centre of the laser line as point III (vertically above or below point I) on the wall A.
- The difference **d** of both marked points I and III on wall A indicates the actual deviation of the measuring tool from the level plane.

The maximum permitted deviation d_{\max} can be calculated as follows:

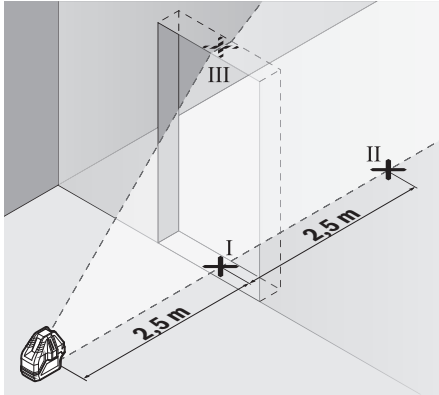
$d_{\max} = \text{double the distance between the walls} \times 0.2 \text{ mm/m}$
 Example: If the distance between the walls is 5 m, the maximum deviation is
 $d_{\max} = 2 \times 5 \text{ m} \times 0.2 \text{ mm/m} = 2 \text{ mm}$. The marks must therefore be maximum 2 mm apart.

10 | English

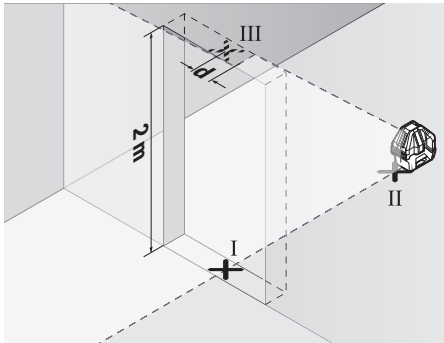
Checking the Levelling Accuracy of the Vertical Lines

For this check, a door opening is required with at least 2.5 m of space (on a firm surface) to each side of the door.

- Place the measuring tool 2.5 m away from the door opening on a firm, flat surface (not on the rotating platform or a tripod). Switch on the measuring tool in the mode with automatic levelling. Switch on vertical mode with all vertical laser lines and aim the front vertical laser line at the door opening. Allow the measuring tool to level in.



- Mark the centre of the vertical laser line at the floor of the door opening (point I), at a distance of 5 m beyond the other side of the door opening (point II) and at the upper edge of the door opening (point III).



- Position the measuring tool on the other side of the door opening directly behind point II. Allow the measuring tool to level in and align the vertical laser line in such a manner that its centre runs exactly through points I and II.
- The difference d between point III and the centre of the laser line at the upper edge of the door opening results in the actual deviation of the measuring tool from the vertical plane.
- Measure the height of the door opening.

The maximum permitted deviation d_{\max} can be calculated as follows:

$d_{\max} = \text{double the height of the door opening} \times 0.2 \text{ mm/m}$

Example: If the height of the door opening is 2 m, the maximum deviation is

$d_{\max} = 2 \times 2 \text{ m} \times 0.2 \text{ mm/m} = 0.8 \text{ mm}$. The marks must therefore be maximum 0.8 mm apart.

Working Advice

- For marking, always use only the centre of the laser point or the laser line. The size of the laser point as well as the width of the laser line change with distance.

Laser Viewing Glasses (Accessory)

The laser viewing glasses filter out the ambient light. This makes the red light of the laser appear brighter for the eyes.

- Do not use the laser viewing glasses as safety goggles. The laser viewing glasses are used for improved visualisation of the laser beam, but they do not protect against laser radiation.
- Do not use the laser viewing glasses as sun glasses or in traffic. The laser viewing glasses do not afford complete UV protection and reduce colour perception.

Working with the Tripod (Accessory) (see figure E)

A tripod offers a stable, height-adjustable support surface for measuring. Mount the measuring tool on the rotating platform **12**. Place the rotating platform with the 5/8" tripod mount **9** on the thread of the tripod **19** or a conventional building tripod. Tighten the rotating platform using the locking screw of the tripod.

Working with the Measuring Plate (Accessory) (see figure F - G)

With the measuring plate **18**, it is possible to project the laser mark onto the floor or the laser height onto a wall.

With the zero field and the scale, the offset or drop to the required height can be measured and projected at another location. This eliminates the necessity of precisely adjusting the measuring tool to the height to be projected.

The measuring plate **18** has a reflective coating that enhances the visibility of the laser beam at greater distances or in intense sunlight. The brightness intensification can be seen only when viewing, parallel to the laser beam, onto the measuring plate.

Work Examples (see figures B - E)

Applicational examples for the measuring tool can be found on the graphics pages.

Maintenance and Service**Maintenance and Cleaning**

Store and transport the measuring tool only in the supplied protective pouch.

Keep the measuring tool clean at all times.

Do not immerse the measuring tool in water or other fluids.

Wipe off debris using a moist and soft cloth. Do not use any cleaning agents or solvents.

Regularly clean the surfaces at the exit opening of the laser in particular, and pay attention to any fluff or fibres.

In case of repairs, send in the measuring tool packed in its protective pouch **20**.

After-sales Service and Application Service

Our after-sales service responds to your questions concerning maintenance and repair of your product as well as spare parts. Exploded views and information on spare parts can also be found under:

www.bosch-pt.com

Bosch's application service team will gladly answer questions concerning our products and their accessories.

In all correspondence and spare parts orders, please always include the 10-digit article number given on the nameplate of the product.

People's Republic of China

China Mainland

Bosch Power Tools (China) Co., Ltd.
567, Bin Kang Road
Bin Jiang District 310052
Hangzhou, P. R. China
Service Hotline: 4008268484
Fax: (0571) 87774502
E-Mail: contact.ptcn@cn.bosch.com
www.bosch-pt.com.cn

HK and Macau Special Administrative Regions

Robert Bosch Hong Kong Co. Ltd.
21st Floor, 625 King's Road
North Point, Hong Kong
Customer Service Hotline: +852 2101 0235
Fax: +852 2590 9762
E-Mail: info@hk.bosch.com
www.bosch-pt.com.hk

Indonesia

PT Robert Bosch
Palma Tower 10th Floor
Jl. RA Kartini II-S Kaveling 6 Sek II
Pondok Pinang, Kebayoran Lama
Jakarta Selatan 12310
Indonesia
Tel.: (021) 3005 5800
Fax: (021) 3005 5801
E-Mail: boschpowertools@id.bosch.com
www.bosch-pt.co.id

Philippines

Robert Bosch, Inc.
28th Floor Fort Legend Towers,
3rd Avenue corner 31st Street,
Fort Bonifacio Global City,
1634 Taguig City, Philippines
Tel.: (02) 8703871
Fax: (02) 8703870
matheus.contiero@ph.bosch.com
www.bosch-pt.com.ph

Bosch Service Center:
9725-27 Kamagong Street
San Antonio Village
Makati City, Philippines
Tel.: (02) 8999091
Fax: (02) 8976432
E-Mail: rosalie.dagdagan@ph.bosch.com

Malaysia

Robert Bosch Sdn. Bhd.
No. 8A, Jalan 13/6
G.P.O. Box 10818
46200 Petaling Jaya
Selangor, Malaysia
Tel.: (03) 79663194
Fax: (03) 79583838
E-Mail: cheehoe.on@my.bosch.com
Toll-Free: 1800 880188
www.bosch-pt.com.my

Thailand

Robert Bosch Ltd.
Liberty Square Building
No. 287, 11 Floor
Silom Road, Bangrak
Bangkok 10500
Tel.: 02 6393111
Fax: 02 2384783
Robert Bosch Ltd., P. O. Box 2054
Bangkok 10501, Thailand
www.bosch.co.th

Bosch Service – Training Centre
La Salle Tower Ground Floor Unit No.2
10/11 La Salle Moo 16
Srinakharin Road
Bangkaew, Bang Plee
Samutprakarn 10540
Thailand
Tel.: 02 7587555
Fax: 02 7587525

Singapore

Powerwell Service Centre Ptd Ltd
65 Ubi Crescent, #06-03 HOLA Centre
Singapore 408559
Tel.: 6746 9770/71
Fax: 6746 9760
E-Mail: powerwellsc@gmail.com
Toll-Free: 1800 3338333
www.bosch-pt.com.sg

Vietnam

Robert Bosch Vietnam Co. Ltd
13th Floor, 194 Golden Building
473 Dien Bien Phu Street
Ward 25, Binh Thanh District
84 Ho Chi Minh City
Vietnam
Tel.: (08) 6258 3690
Fax: (08) 6258 3692
Hotline: (08) 6250 8555
E-Mail: tuvankhachhang-pt@vn.bosch.com
www.bosch-pt.com.vn
www.baohanhbosch-pt.com.vn

12 | 中文

Australia, New Zealand and Pacific Islands

Robert Bosch Australia Pty. Ltd.
Power Tools
Locked Bag 66
Clayton South VIC 3169
Customer Contact Center
Inside Australia:
Phone: (01300) 307044
Fax: (01300) 307045
Inside New Zealand:
Phone: (0800) 543353
Fax: (0800) 428570
Outside AU and NZ:
Phone: +61 3 95415555
www.bosch-pt.com.au
www.bosch-pt.co.nz

Egypt

Unimar
20 Markaz kadmat
El tagmoa EL Aoul – New Cairo
Tel: +2 02 224 76091 - 95 / + 2 02 224 78072 - 73
Fax: +2 02 224 78075
E-Mail: adelzaki@unimaregypt.com

Ethiopia

Forever plc
Kebele 2,754, BP 4806,
Addis Ababa, Ethiopia
Tel: +251 111 560 600, +251 111 560 600
E-Mail: foreverplc@ethionet.et

Nigeria

C. Woermann Ltd.
P.O. Box 318
6, Badejo Kalesanwo Street
Matori Industrial Estate
Lagos, Nigeria
Tel: +234 17 736 498, +234 17 730 904
E-Mail: d.kornemann@woermann-nigeria.com

Republic of South Africa**Customer service**

Hotline: (011) 6519600

Gauteng – BSC Service Centre

35 Roper Street, New Centre
Johannesburg
Tel.: (011) 4939375
Fax: (011) 4930126
E-Mail: bsctools@icon.co.za

KZN – BSC Service Centre

Unit E, Almar Centre
143 Crompton Street
Pinetown
Tel.: (031) 7012120
Fax: (031) 7012446
E-Mail: bsc.dur@za.bosch.com

Western Cape – BSC Service Centre

Democracy Way, Prosperity Park
Milnerton
Tel.: (021) 5512577
Fax: (021) 5513223
E-Mail: bsc@zsd.co.za

Bosch Headquarters

Midrand, Gauteng
Tel.: (011) 6519600
Fax: (011) 6519880
E-Mail: rbsa-hq.pts@za.bosch.com

Disposal

Measuring tools, accessories and packaging should be sorted for environmental-friendly recycling.

Do not dispose of measuring tools and batteries/rechargeable batteries into household waste!

Subject to change without notice.

中文

安全规章



必须阅读并注意所有说明，从而安全可靠地使用测量仪。如果不按照给出的说明使用测量仪，可能会影响集成在测量仪中的保护功能。测量仪上的警戒牌应保持清晰可读的状态。请妥善保管本说明书，并在转交测量仪时将本说明书一起移交。

- ▶ **注意** - 如果未按照本说明书中的指示操作仪器，未使用本说明书推荐的调整装备，或者使用本仪器进行其它的用途，都可能导致危险的辐射爆炸。
- ▶ 本测量仪器上贴着一个警戒牌（参考仪器详解图上，以号码 5 标示的部位）。



IEC 60825-1:2014-05
<1mW, 630-650 nm

Laser Radiation
Class 2
Do not stare into beam.

- ▶ 如果警戒牌不是以贵国语言书写的，在首度使用仪器之前，先将以贵国语言书写的贴纸贴在该警戒牌上。



不要将激光束指向人或动物，请勿直视激光束。它会扰乱旁人的视觉能力，造成事故或者伤害眼睛。

- ▶ 如果激光束射进您的眼睛，请有意识地闭上眼睛并马上将头转出激光光束范围。
- ▶ 请不要对激光装置进行任何更改。
- ▶ 激光辨识镜不可以充当防护眼镜。戴上激光辨识镜之后，可以帮助您辨识激光，它并不能保护您免受激光辐射伤害。

- ▶ **不可以使用激光辨识镜充当太阳眼镜，也不可以戴着激光辨识镜上街。** 激光辨识镜不具备防护紫外线的功能，并且会减弱您对颜色的识别能力。
- ▶ **本仪器只能交给合格的专业人员修理，而且只能使用原厂的备件。** 如此才能够确保仪器的安全性能。
- ▶ **不可以让儿童在无人监护的情况下使用激光测量仪。** 他们会因为不留心而扰乱旁人的视线。
- ▶ **不要在易爆环境，如有易燃液体、气体或粉尘的环境下操作测量仪器。** 测量仪器内可能产生火花并点燃粉尘和气体。



不可以让测量仪器靠近心脏起搏器。 测量仪器内部的磁铁会产生磁场，该磁场会影响心脏起搏器的功能。

- ▶ **测量仪器必须远离带磁性的数据载体和容易受磁场干扰的机器。** 透过磁铁所产生的效应，可能造成无法补救的资料损失。

产品和功率描述

按照规定使用机器

测量仪借助水平和垂直光束或焊点来完成调平操作。

插图上的机件

机件的编号和仪器详解图上的编号一致。

- 1 激光放射口
- 2 电池盒盖的固定扳扣
- 3 电池盒盖
- 4 序列号码
- 5 激光警戒牌
- 6 测量仪的固定凹槽
- 7 起停开关
- 8 旋转平台水准仪
- 9 5/8" 的三脚架接头
- 10 旋转平台高度调节螺栓
- 11 旋转平台微调螺栓
- 12 旋转平台
- 13 旋转平台的固定凹槽
- 14 关闭自动找平功能时的指示灯
- 15 模式指示灯 / 电池警告
- 16 垂直模式按键
- 17 水平模式按键
- 18 带脚架的测量板*
- 19 三脚架*
- 20 保护套
- 21 激光辨识镜*

*图表或说明上提到的附件，并非包含在供货范围中。

技术数据

线段激光测量仪器		GLL 3-15 X
物品代码		3 601 K63 M..
工作范围 ¹⁾		
- 激光束	米	15
- 焊点	米	5
激光束的校准准确性典型 ²⁾	毫米 / 米	±0.2
一般的自动找平范围	°	±3
一般的找平时间	秒	<4
工作温度范围	°C	-10 ... +45
储藏温度范围	°C	-20 ... +70
最大相对空气湿度	%	90
激光等级		2
激光种类	纳米 毫瓦	630-650 <1
C ₆		1
三脚架接头 ³⁾	"	5/8
电池		4 x 1.5 伏特 LR06 (AA)
运行时间大约		
- 1 束激光束	小时	24
- 2 束激光束	小时	14
- 3 束激光束	小时	10
重量符合 EPTA-Procedure 01:2014	公斤	0.54
尺寸 (长度 x 宽度 x 高度)		
- 无旋转平台	毫米	122 x 83 x 129
- 带旋转平台	毫米	直径 151 x 203
保护等级 (不包含电池盒)		IP 54*

1) 不良的测量环境 (例如直接的日照) 会缩小测量的范围。

2) 出厂时的设定。

3) 仅在与旋转平台组合时使用

* 防尘、防溅

仪器铭牌上的序列号码 (仪器详解上标示著 4 的位置) 便是仪器的识别码。

安装

安装 / 更换电池

操作本测量仪时最好使用碱性锰电池。

按下止动件 2 以打开电池盒盖 3，然后取下电池盒盖。装入电池。根据电池盒内部的图示，注意电极是否正确。

如果电池警告灯 15 闪烁，则必须更换电池。

务必同时更换所有的电池。请使用同一制造厂商，相同容量的电池。

14 | 中文

- ▶ **不使用测量仪时，必须从仪器中取出电池。** 长期搁置之后，电池会腐蚀或自行放电。


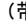
使用旋转平台（参考插图 A）

设置旋转平台 12 设备定位件上的测量仪，直至相应凹槽 6 间的旋转平台上的定位凹槽 13 适合于测量仪的底面。顺时针旋转测量仪，直至锁定到旋转平台上。取下旋转平台带高度调节螺栓 10 的支架。借助水准仪 8 粗略对齐旋转平台。

正式操作**正式操作仪器**

- ▶ **不可以让湿气渗入仪器中，也不可以让阳光直接照射在仪器上。**
- ▶ **仪器不可以暴露在极端的气候下，也不可以把仪器放在温差相当大的环境中。** 仪器不可以长期放置在汽车中。如果仪器先后暴露在温差相当大的环境中，必须先等待仪器温度恢复正常后再使用仪器。如果仪器暴露在极端的气候下或温差相当大的环境中，会影响仪器的测量准确度。
- ▶ **避免强烈撞击测量仪器，勿让仪器掉落地面。** 如果测量仪曾经遭受强烈的外来冲撞，必须在使用仪器之前先检查仪器的测量精度（参考“找平精度”）。
- ▶ **搬运仪器之前必须先关闭仪器。** 关机后摆动零件会被锁定，否则摆动零件可能因为强烈的震动而受损。

开动 / 关闭

如需启动测量仪，请将起停开关 7 设置到位置 “ On”（无自动找平功能）或设置到位置 “ On”（带自动找平功能）。模式指示灯 15 亮起，然后测量仪会立即从前发射口 1 射出一道水平激光束。

- ▶ **不可以把激光指向人或动物。您本人也不可以直视激光。就算您与激光之间尚有一段距离，也不可忽视激光的伤害力。**

如需关闭测量仪，请将起停开关 7 设置到位置 “Off”。模式指示灯 15 熄灭。关闭状态时摆动单元会被锁止。

如果超过最高许可操作温度 45 °C，仪器会自动关闭以便保护激光二极管。待测量仪器冷却后便能够再度操作，此时您又可以再度开动仪器了。

关闭仪器的自动关机功能

测量仪会在 30 分钟后自动关闭。如需停用自动断开装置，请在测量仪接通状态时长按 3 秒垂直模式按键 16 或水平模式按键 17。若停用了自动断开装置，激光束会在 3 秒后短暂闪烁。

- ▶ **看管好已经开动的仪器。使用完毕后务必随手关闭仪器。** 激光可能扰乱旁人的视线。

如需激活自动断开功能，请关闭测量仪然后再次接通（无需按压按键）。

运行模式（参考插图 B-D）

可以单独接通和关闭水平和垂直模式。所有的运行模式可以带或不带自动找平功能。

水平激光

接通后，测量仪处于水平模式并向前发射水平激光束。

如需关闭或开启水平激光束，请按下水平模式按键 17。

垂直模式和焊点

测量仪有着两种垂直模式：

- 向前的垂直激光束
- 向前或向侧面的垂直激光束

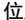
另外在所有运行模式中都会向下方投射一个焊点。

如需接通 / 关闭垂直模式或更换垂直模式种类，请不停按压垂直模式按键 16，直至出现所需的运行模式。

如果测量仪安装到了旋转平台 12 上，您可以使用微调螺栓 11 精确地将垂直激光束与基准点对齐。

自动找平功能**使用自动找平功能进行测量**

将测量仪放到一个水平的、稳固的底板上或将其固定到旋转平台 12 上。

对于带自动找平功能的操作，请将起停开关 7 设置到位置 “ On”。


自动找平功能能够校平小的起伏，它的校平范围在 $\pm 3^\circ$ 度之间。只要激光束不再移动，则表示测量仪已经完成找平的工作。

如果无法自动找平，比如因为测量仪的支承面与水平偏差超过 3° ，激光束会以快节拍闪烁。

水平放置测量仪，然后等其自找平。一旦测量仪在自找平范围 $\pm 3^\circ$ 内，激光束会长亮。

运行中若出现震荡或位置更改，测量仪会自动再次找平。重新找平后请检测激光束的位置是否在基准点，以避免故障。

不使用自动找平功能时的测量工作

如需无自动找平功能，请将起停开关 7 设置到位置 “ On”。若关闭了自动找平功能，显示灯 14 显示为红色，而且激光束以慢节拍持续闪烁。

关闭了自动找平功能后便可以把手拿在手上，或者放在合适的底垫上操作。此时激光线段不再强制性地彼此垂直。

找平精度

影响精度的因素

操作环境的温度是最大的影响因素。尤其当温度从地面朝著天花板逐渐改变时，极可能改变激光束的投射方向。

由于接近地面的温度分层最大，所以最好把测量仪器安装在三脚架 19 上，并将它摆放在测量场所的中央。

除了外部影响，对设备特殊的影响（例如掉落或强烈撞击）也会导致出现偏差。因此，每次工作前都要检查校准准确性。

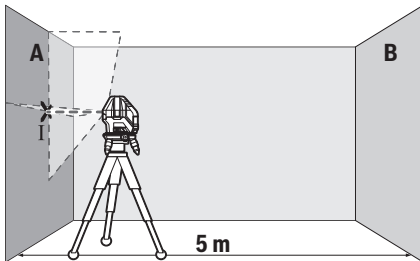
首先检测水平激光束的高度和找平精度，然后检测垂直激光束的找平精度。

如果在检查时发现测量仪器的偏差超过最大极限。必须把仪器交给博世顾客服务处修理。

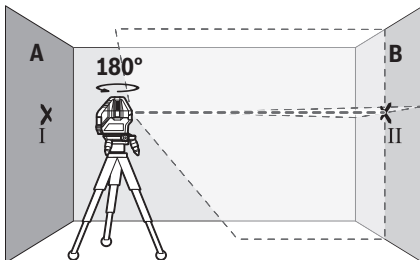
检查水平激光束的高度精度

针对这项检查，您必须找一段无障碍物的 5 米长线段，而且该测量线段必须介于两面墙 A 和 B 之间。

- 将测量仪安装在靠近墙面 A 的旋转平台或三脚架上，或将测量仪放置在稳固的平整基底上。接通测量仪并开启自动找平模式。接通水平模式和任意的垂直模式。

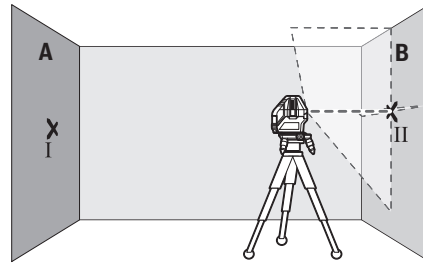


- 把激光束对准比较靠近的墙 A，并让测量仪找平。找出激光束在墙上的交叉点，并在该点的中心位置打上记号（点 I）。

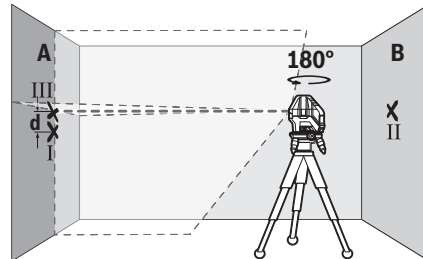


- 把测量仪旋转 180 度，让仪器找平。找出激光束在墙 B 上的交叉点，并在该点的中心位置打上记号（点 II）。

- 把测量仪移近墙 B（无须旋转测量仪），开动测量仪，并让仪器找平。



- 调整测量仪的高度（借助三脚架，必要时得使用垫块），让激光束的交叉点，准确地投射在墙 B 的点 II 上。



- 把测量仪旋转 180 度，但是不可改变测量仪的高度。调整测量仪，让垂直方向的激光束穿过墙 A 的点 I。让测量仪找平，并且在墙 A 的激光束交叉点上做记号（点 III）。
- 墙 A 上点 I 和点 III 的差距 d，便是测量仪的实际高度偏差。

请按如下步骤计算所允许的最大偏差 d_{\max} ：

$$d_{\max} = \text{两倍的墙距} \times 0.2 \text{ mm/m}$$

例如：离墙距离为 5 m 则允许的最大偏差

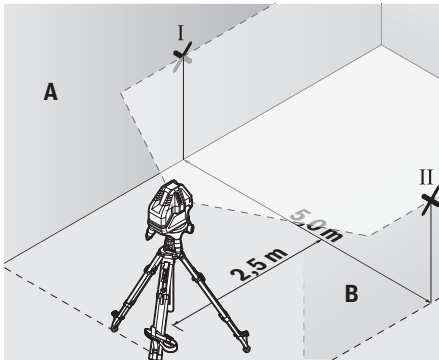
$$d_{\max} = 2 \times 5 \text{ m} \times 0.2 \text{ mm/m} = 2 \text{ mm}。该记号所在位置最多允许相距 2 \text{ mm}。$$

16 | 中文

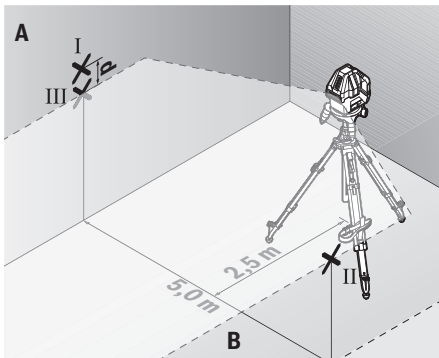
检查水平方向的激光束的找平精度

针对这项检验，您需要一个无障碍物的 5 x 5 米空旷场地。

- 将测量仪安装 A 和 B 墙面之间的旋转平台或三脚架上，或将测量仪放置在稳固的平整基底上。接通测量仪并开启自动找平模式。接通水平模式并使其找平。



- 在距离测量仪 2.5 米处的墙上寻找激光束的投射点，并在该点的中心打上记号（墙 A 上的记号为点 I，墙 B 上的记号为点 II）。



- 把测量仪旋转 180 度后，再把仪器移动到 5 米远的位置上。让仪器找平。
- 调整测量仪的高度（借助三脚架，必要时得使用垫块），让激光束的中心点，准确地落在墙 B 的点 II 上。
- 在墙 A 上寻找激光束的中心点并打上记号，此记号便是点 III（点 III 应该在点 I 的正上方或正下方）。
- 墙 A 上点 I 和点 III 之间的距离 d ，是测量仪在水平方向的实际偏差值。

请按如下步骤计算所允许的最大偏差 d_{\max} ：

$$d_{\max} = \text{两倍的墙距} \times 0.2 \text{ mm/m}$$

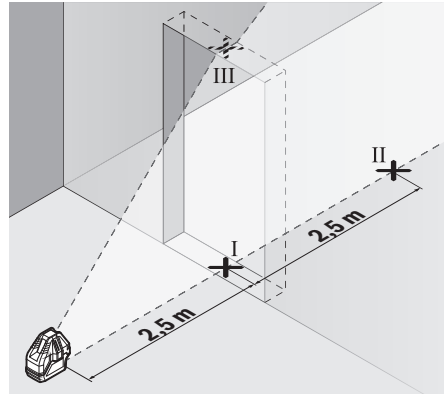
例如：离墙距离为 5 m 则允许的最大偏差

$$d_{\max} = 2 \times 5 \text{ m} \times 0.2 \text{ mm/m} = 2 \text{ mm}。该记号所在位置最多允许相距 2 mm。$$

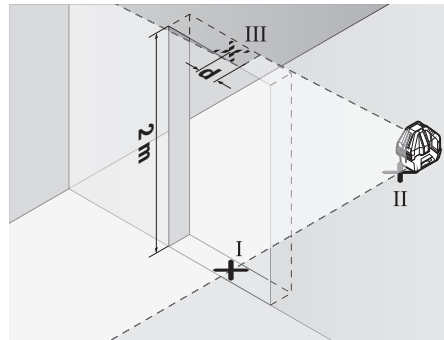
检查垂直方向的激光束的找平精度

针对这项检验，您必须寻找一处有门孔而且地板坚实的场地。此外，门孔的前后两侧至少要有 2.5 米的空间。

- 将测量仪放置在距离门孔 2.5 米远的稳固、平整的基底上（而不是在旋转平台或三脚架上）。接通测量仪并开启自动找平模式。接通垂直模式并开启所有垂直激光束，然后将前方垂直激光束对齐门孔。让测量仪找平。



- 找出投射在门孔地板上的垂直激光束的中心点，并在该中心点打上记号（点 I）。在门孔的另一侧约 5 米远处再做一个记号（点 II），在门孔的上缘做第三个记号（点 III）。



- 把测量仪移动到门孔的另一侧，并将它放置在点 II 的后面。让仪器找平，并且调整好激光束，垂直激光束的中心必须穿过点 I 和点 II。
- 投射在门孔上缘的激光束的中心点和点 III 之间的距离 d ，便是测量仪在垂直方向的实际偏差。
- 测量门孔的高度。

请按如下步骤计算所允许的最大偏差 d_{\max} ：

$$d_{\max} = \text{两倍的门孔高度} \times 0.2 \text{ mm/m}$$

例如：门孔高度为 2 m 则允许的最大偏差

$$d_{\max} = 2 \times 2 \text{ m} \times 0.2 \text{ mm/m} = 0.8 \text{ mm}。该记号所在位置最多允许相距 0.8 mm。$$

有关操作方式的指点

▶ **记号要打在激光点或激光线段的中央位置。** 激光点的大小或激光线段的宽度会随著距离而改变。

激光辨识镜（附件）

激光辨识镜会过滤周围环境的光线。因此激光束的红光会显得更亮。

▶ **激光辨识镜不可以充当防护眼镜。** 戴上激光辨识镜之后，可以帮助您辨识激光，它并不能保护您免受激光辐射伤害。

▶ **不可以使用激光辨识镜充当太阳眼镜，也不可以戴着激光辨识镜上街。** 激光辨识镜不具备防护紫外线的功能，并且会减弱您对颜色的识别能力。

使用三脚架工作（附件）（参考插图 E）

三脚架提供稳定的、高度可调的测量底座。将测量仪安装在旋转平台 12 上。将旋转平台用 5/8" 三脚架接头 9 安装到三脚架 19 或市售组合式三脚架的螺纹上。使用三脚架的固定螺栓将旋转平台固定。

使用测量板工作（附件）（参考插图 F - G）

借助测量板 18，可以把地板上的激光记号点，或者把激光的高度转载到墙上。

使用零面和刻度盘可以测量改变高度后的位移距离，并且把它转载到其它的位置。因此不必重新调整测量仪的高度。

测量板 18 覆盖了反射膜，可以帮助操作者在远距离或日照强烈的环境中辨识激光束。当您的视线与激光平时，才能体会反射膜的加强激光功能。

工作范例（参考插图 B - E）

有关测量仪器的使用范例请参考说插图说明。

维修和服务

维修和清洁

使用附带的保护套储存和携带仪器。

测量仪器必须随时保持清洁。

不可以把仪器放入水或其它的液体中。

使用潮湿，柔软的布擦除仪器上的污垢。不可以使用洗涤剂或溶剂清洁仪器。

务必定期清洁激光出口，清洁时不可以在出口残留绒毛。

将仪器送修之前，必须先要把仪器放入防护套 20 中。

顾客服务处和顾客咨询中心

本公司顾客服务处负责回答有关本公司产品的修理，维护和备件的问题。以下的网页中有爆炸图和备件的资料：

www.bosch-pt.com

博世顾客咨询团队非常乐意为您解答有关本公司产品及附件的问题。

如需查询和订购备件，请务必提供产品型号铭牌上的 10 位数字号。

有关保证，维修或更换零件事宜，请向合格的经销商查询。

中国大陆

博世电动工具（中国）有限公司

中国 浙江省 杭州市

滨江区滨康路 567 号

邮政编码：310052

免费服务热线：4008268484

传真：(0571) 87774502

电邮：contact.ptcn@cn.bosch.com

www.bosch-pt.com.cn

羅伯特·博世有限公司

香港北角英皇道 625 號 21 樓

客戶服務熱線：+852 2101 0235

傳真：+852 2590 9762

電郵：info@hk.bosch.com

網站：www.bosch-pt.com.hk

制造商地址：

Robert Bosch Power Tools GmbH

羅伯特·博世电动工具有限公司

70538 Stuttgart / GERMANY

70538 斯图加特 / 德国

处理废弃物

必须以符合环保要求的方式回收再利用损坏的仪器，附件和包装材料。

不可以把损坏的探测仪和蓄电池 / 电池丢弃在一般的家庭垃圾中！

保留修改权

中文

安全規章



為確保能夠安全地使用本測量工具，您必須完整詳讀本安全規章並確實遵照其內容。若未依照現有之說明內容使用測量工具，測量工具內部所設置的防護措施可能無法發揮應有功效。謹慎對待測量工具上的警告標示，絕對不可讓它模糊不清而無法辨識。請妥善保存本安全規章，將測量工具轉交給他人時應一併附上本安全規章。

▶ **注意** - 如果未按照本說明書中的指示操作儀器，未使用本說明書推薦的調整裝備，或者使用本儀器進行其它的用途，都可能導致危險的輻射爆炸。

18 | 中文

- ▶ 本測量儀器上貼著一個警戒牌（參考儀器詳解圖上，以號碼 5 標示的部位）。



- ▶ 如果警戒牌不是以貴國語言書寫的，在首度使用儀器之前，先將以貴國語言書寫的貼紙貼在該警戒牌上。



勿將雷射光束正對人員或動物，您本身亦不應該盯著直射或反射的雷射光束。因為它們可能會造成人員視盲進而導致意外事故發生，或者甚至傷害眼睛。

- ▶ 萬一雷射光不小心掃向眼睛，應機警地閉上眼睛並立刻將頭轉離光束範圍。
- ▶ 請勿對本雷射裝備進行任何改造。
- ▶ 雷射光束辨識鏡不可以充電防護眼鏡。戴上雷射光束辨識鏡之後，可以幫助您辨識雷射光束，它並不能保護您免受雷射光束輻射傷害。
- ▶ 不可以使用雷射光束辨識鏡充當太陽眼鏡，也不可以戴著雷射光束辨識鏡上街。雷射光束辨識鏡不具備防止紫外線功能，而且會減弱您對顏色的辨識能力。
- ▶ 本測量儀只能交給合格的專業人員修理，而且只能使用原廠的備件。如此才能夠確保儀器的安全性。
- ▶ 不可以讓兒童在無人監護的情況下使用雷射光束測量儀。他們可能會因為輕心而擾亂旁人的視線。
- ▶ 不要在易爆環境，如有易燃液體，氣體或粉塵的環境下操作測量儀器。測量儀器內可能產生火花並點燃粉塵和氣體。



不可以讓測量儀器靠近心臟起搏器。測量儀器內部的磁鐵會產生磁場，該磁場會影響心臟起搏器的功能。

- ▶ 測量儀器必須遠離帶磁性的數據載體和容易受磁場干擾的機器。透過磁鐵所產生的效應，可能造成無法捕獲的資料損失。

產品和功率描述

按照規定使用機器

本測量工具的設計是借助水平線、垂直線以及一個鉛垂點來進行調平作業。

插圖上的機件

機件的編號和儀器詳解圖上的編號一致。

- 1 激光放射口
- 2 電池盒蓋的固定扳扣
- 3 電池盒蓋

- 4 序列號碼
- 5 雷射光束警戒牌
- 6 測量工具的固定用凹槽
- 7 起停開關
- 8 轉檯水平儀
- 9 5/8" 的三腳架接頭
- 10 轉檯高度調整螺栓
- 11 轉檯微調螺栓
- 12 轉檯
- 13 轉檯的固定用凹槽
- 14 關閉自動找平功能時的指示燈
- 15 操作指示燈 / 電量警示燈
- 16 垂直操作鍵
- 17 水平操作鍵
- 18 帶腳架的測量板*
- 19 三腳架*
- 20 保護套
- 21 雷射光束辨識鏡*

* 插圖中或說明書中提到的附件，並不包含在正常的供貨範圍中。

技術性數據

線段激光測量儀器		GLL 3-15 X
物品代碼		3 601 K63 M..
工作範圍 ¹⁾		
- 雷射標線	米	15
- 鉛垂點	米	5
雷射標線調平精準度標準 ²⁾	毫米 / 米	± 0.2
一般自動測平範圍	°	± 3
典型的找平時間	秒	< 4
工作溫度範圍	°C	- 10 ... + 45
儲藏溫度範圍	°C	- 20 ... + 70
最大相對空氣濕度	%	90
雷射光束等級		2
雷射光束種類	納米 豪瓦	630 - 650 < 1
C ₆		1
三腳架固定座 ³⁾	"	5/8
電池		4 x 1.5 伏特 LR06 (AA)

1) 不良的測量環境（例如直接的日照）會縮小測量的範圍。

2) 出廠時的設定。

3) 僅設置於含轉檯的機型

* 防塵、防濺設計

儀器銘牌上的序列號碼（儀器詳解圖上標示 4 的位置）便是儀器的識別碼。

線段激光測量儀器 GLL 3-15 X

連續工作時間概值		
- 1 條雷射標線	小時	24
- 2 條雷射標線	小時	14
- 3 條雷射標線	小時	10

重量符合		
EPTA-Procedure 01:2014	公斤	0.54

尺寸 (長 x 寬 x 高)		
- 無轉檯	毫米	122 x 83 x 129
- 含轉檯	毫米	直徑 151 x 203

保護等級 (不包含電池盒)		IP 54*
------------------	--	--------

- 1) 不良的測量環境 (例如直接的日照) 會縮小測量的範圍。
- 2) 出廠時的設定。
- 3) 僅設置於含轉檯的機型

* 防塵、防濺設計

儀器銘牌上的序列號碼 (儀器詳解圖上標示 4 的位置) 便是儀器的識別碼。

安裝

安裝 / 更換電池

操作本測量儀時最好使用鹼性錳電池。

若要打開電池盒蓋 3, 請按壓鎖扣 2 並取下電池盒蓋。裝入電池。此時請您注意是否有依照電池盒內側上的電極標示正確放入。

如果電量警示燈 15 閃爍, 則須更換電池。

務必同時更換所有的電池。請使用同一製造廠商, 容量相同的電池。

▶ **如果長期不使用測量儀, 必須從測量儀器中取出電池。** 經過長期擱置, 電池會腐蝕或自行放電。

使用轉檯 (參考插圖 A)

將測量工具放置在轉檯 12 的裝置固定座上, 使轉檯的固定用凹槽 13 能夠剛好吻合測量工具底部的對應凹槽 6。順時針轉動測量工具, 即可將該工具鎖定在轉檯上。

利用高度調整螺栓 10, 將轉檯腳柱旋出。請藉助水平儀 8 將轉檯大致校正。

正式操作

操作

- ▶ **不可以讓濕氣滲入儀器中, 也不可以讓陽光直接照射在儀器上。**
- ▶ **儀器不可以曝露在極端的氣候下, 也不可以把儀器放在溫差相當大的環境中。** 例如儀器不可以長期放置在汽車中。如果儀器先後曝露在溫差相當大的環境中, 必須先等待儀器的溫度恢復正常後再使用儀器。如果儀器曝露在極端的氣候下或溫差相當大的環境中, 會影響儀器的測量準確度。

▶ **避免強烈撞擊測量儀器, 勿讓儀器掉落地面。** 如果測量儀曾經遭受強烈的外來沖撞, 必須在使用儀器之前先檢查儀器的測量精度 (參考 "找平精度")。

▶ **搬運儀器之前必須先關閉儀器。** 關機後擺動零件會被鎖定, 否則擺動零件可能因為強烈的震動而受損。

開動 / 關閉

若要**啟動**測量工具, 請將電源開關 7 推至 "On" 位置 (適用於無自動調平功能之作業) 或 "On" 位置 (含自動調平功能之作業)。操作指示燈 15 隨即亮起, 測量工具立即從前方射出口 1 射出一道水平雷射標線。

▶ **不可以把雷射光束指向人或動物, 您本人也不可以直視雷射光束。就算您與雷射光束之間尚有一段距離, 也不可以忽視雷射光束的傷害力。**

若要**關閉**測量工具, 請將電源開關 7 推至 "Off" 位置。操作指示燈 15 熄滅。關閉時, 擺錘組件即鎖定。

如果超過最高許可操作溫度 45 °C, 儀器會自動關閉以便保護激光二極管。待測量儀器冷卻後又能夠再度操作, 此時您又可以再度開動儀器了。

關閉儀器的自動關機功能

測量工具會在連續工作 30 分鐘後自動關機。若要停用自動關機功能, 請在測量工具啟動時按住垂直操作鍵 16 或水平操作鍵 17 不放, 達 3 秒鐘。自動關機功能成功停用時, 雷射標線將於 3 秒鐘後短暫閃爍。

▶ **看管好已經開動的儀器。使用完畢後務必隨手關閉儀器。** 雷射光束可能擾亂旁人的視線。

若要啟用此一自動關機功能, 請將測量工具關閉後再重新啟動即可 (不按任何按鍵)。

操作模式 (參考插圖 B-D)

水平操作與垂直操作可各自獨立開啟或關閉。所有操作模式皆可選擇是否要使用自動調平功能。

水平激光

啟動後, 測量工具將處於水平操作模式, 並向前方發射出一道水平雷射標線。

若要關閉或開啟此道水平雷射標線, 請按水平操作鍵 17。

垂直操作與鉛垂點

本測量工具共有兩種垂直操作模式:

- 前方垂直雷射標線
- 前方及側面垂直雷射標線

此外, 這兩種垂直操作模式皆可往下方投射一個鉛垂點。

若要開啟 / 關閉垂直操作或是想要切換操作模式, 請重複按壓垂直操作鍵 16, 直到工具進入所需操作模式。

如果測量工具是安裝在轉檯 12 上, 則可利用微調螺栓 11 精準地將垂直雷射標線校正至基準點上。

20 | 中文

自動找平功能**使用自動找平功能進行測量**

請將本測量工具放置在一個穩固的水平平面上，或將它固定在轉檯 12 上。

針對含自動調平功能的作業，請您將電源開關 7 推至 "On" 位置。

自動找平功能能夠校平小的起伏，它的校平範圍在 $\pm 3^\circ$ 之間。只要激光束不再移動，則表示測量儀已經完成找平的工作。

若無法使用自動調平功能，例如：一旦測量工具的所在平面與水平面之間的差異達 3° 以上時，雷射標線將開始以快速節奏閃爍。

請將本測量工具架設在水平平面上，然後等待其自動調平。測量工具一進入 $\pm 3^\circ$ 的自動調平範圍時，雷射標線即再度持續亮起。

測量工具在運轉期間若有振動或移位，將重新進行調平。重新調平之後，請全面檢查雷射標線相對於基準點的位置，以免發生錯誤。

不使用自動找平功能時的測量工作

針對無自動調平功能的作業，請您將電源開關 7 推至 "On" 位置。自動調平功能關閉時，指示燈 14 將亮紅燈，且雷射標線會以緩慢節奏持續閃爍。

關閉了自動找平功能後便可以將測量儀拿在手上，或者放在合適的底墊上操作。此時激光線段不再強制性地彼此垂直。

找平精度**影響精度的因素**

操作環境的溫度是最大的影響因素。尤其當溫度從地面朝著天花板逐漸改變時，極可能改變激光束的投射方向。

由於接近地面的溫度分層最大，所以最好把測量儀器安裝在三腳架 19 上，並將其擺放在測量場所的中央。

除了外在因素，發生偏差的原因亦可能來自機器本身（例如機器曾翻倒或受到猛力撞擊）。因此，每次開始工作之前，請您先進行調平精準度檢查。

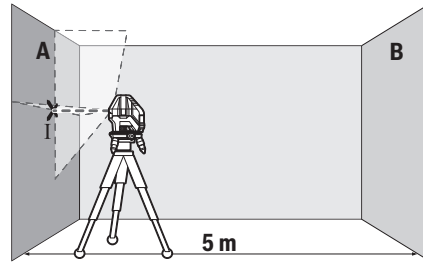
一律先檢查水平雷射標線的高度精準度及調平精準度，然後再檢查垂直雷射標線的調平精準度。

如果在檢查時發現測量儀器的偏差超過最大極限。必須把儀器交給博世顧客服務處修理。

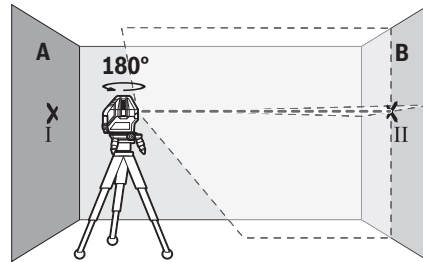
檢查水平激光束的高度精度

針對這項檢查，您必須找一段無障礙物的 5 米長線段，而且該測量線段必須介於兩面牆 A 和 B 之間。

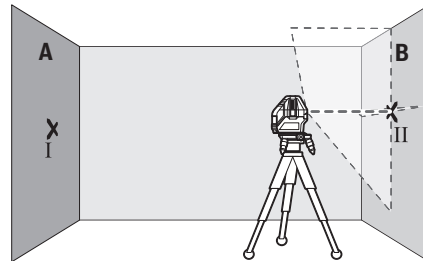
- 請將測量工具先安裝在轉檯或三腳架上後，再架設到 A 牆附近的位置，或將測量工具放置在穩固的平坦基座上。請將測量工具開啟為使用自動調平功能。開啟水平操作以及另一任意操作模式。



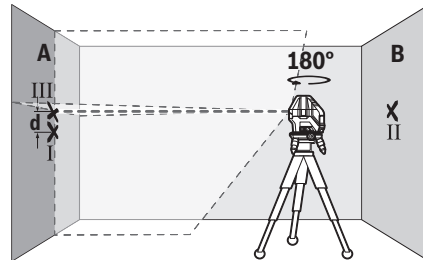
- 把激光束對準比較靠近的牆 A，並讓測量儀找平。找出激光束在牆上的交叉點，並在該點的中心位置打上記號（點 I）。



- 把測量儀旋轉 180 度，讓儀器找平。找出激光束在牆 B 上的交叉點，並在該點的中心位置打上記號（點 II）。
- 把儀器移近牆 B（無須旋轉測量儀），開動測量儀，並讓儀器找平。



- 調整測量儀的高度（借助三腳架，必要時得使用墊塊），讓激光束的交叉點，準確地投射在牆 B 的點 II 上。



- 把測量儀旋轉 180 度，但是不可改變測量儀的高度。調整測量儀，讓垂直方向的激光束穿過牆 A

- 的點 I。讓測量儀找平，並且在牆 A 的激光束交叉點上做記號（點 III）。
- 牆 A 上點 I 和點 III 的差距 d ，便是測量儀的實際高度偏差。

最大容許偏差 d_{\max} 的計算方式如下：

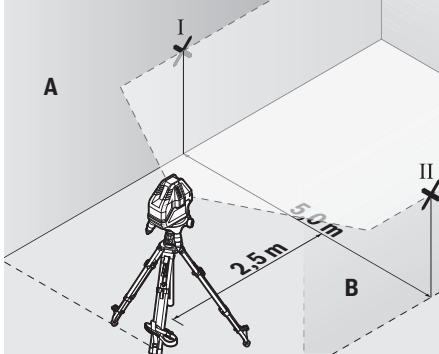
$d_{\max} = \text{兩倍的牆距} \times 0.2 \text{ 公釐} / \text{公尺}$

舉例來說：如果牆距為 5 公尺，則最大容許偏差為
 $d_{\max} = 2 \times 5 \text{ 公尺} \times 0.2 \text{ 公釐} / \text{公尺} = 2 \text{ 公釐}$ 。
 因此，標記至多僅可相差 2。

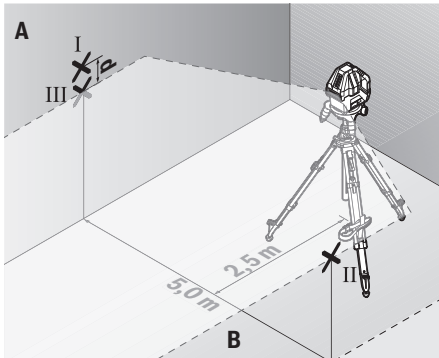
檢查水平方向的激光束的找平精度

針對這項檢驗，您需要一個無障礙物的 5 x 5 米空曠場地。

- 請將測量工具先安裝在轉檯或三腳架後，再架設到 A 牆與 B 牆的中間點，或將測量工具放置於穩固的平坦基座上。請將測量工具開啟為使用自動調平功能。啟動水平操作，然後讓測量工具進行調平。



- 在距離測量儀 2.5 米處的牆上尋找激光束的投射點，並在該點的中心打上記號（牆 A 上的記號為點 I，牆 B 上的記號為點 II）。



- 把測量儀旋轉 180 度後，再把儀器移動到 5 米遠的位置上。讓儀器找平。
- 調整測量儀的高度（借助三腳架，必要時得使用墊塊），讓激光束的中心點，準確地落在牆 B 的點 II 上。

- 在牆 A 上尋找激光束的中心點並打上記號，此記號便是點 III（點 III 得位在點 I 的正上方或正下方）。
- 牆 A 上點 I 和點 III 之間的距離 d ，是測量儀在水平方向的實際偏差值。

最大容許偏差 d_{\max} 的計算方式如下：

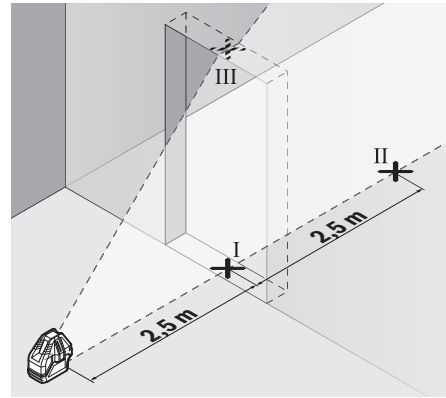
$d_{\max} = \text{兩倍的牆距} \times 0.2 \text{ 公釐} / \text{公尺}$

舉例來說：如果牆距為 5 公尺，則最大容許偏差為
 $d_{\max} = 2 \times 5 \text{ 公尺} \times 0.2 \text{ 公釐} / \text{公尺} = 2 \text{ 公釐}$ 。
 因此，標記至多僅可相差 2。

檢查垂直方向的激光束的找平精度

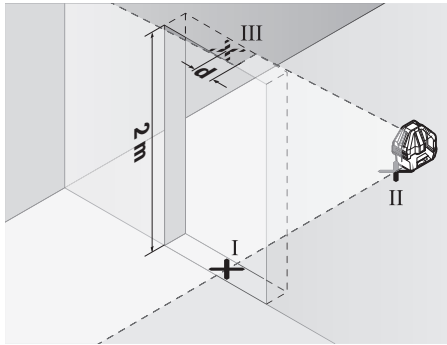
針對這項檢驗，您必須尋找一處有門孔而且地板堅實的場地。此外，門孔的前後兩側至少要有 2.5 米的空間。

- 請將測量工具放置於穩固的平坦基座（不是轉檯或三腳架）上，與門口距離 2.5 公尺。請將測量工具開啟為使用自動調平功能。請啟動垂直操作並開啟垂直雷射標線，將前方垂直雷射標線對準門口。讓測量工具進行調平。



- 找出投射在門孔地板上的垂直激光束的中心點，並在該中心點打上記號（點 I）。在門孔的另一側約 5 米遠處再做一個記號（點 II），在門孔的上緣做第三個記號（點 III）。

22 | 中文



- 把測量儀移動到門孔的另一側，並將其放置在點 II 的後面。讓儀器找平，並且調整好激光束，垂直激光束的中心必須穿過點 I 和點 II。
- 投射在門孔上緣的激光束的中心點和點 III 之間的距離 d ，便是測量儀在垂直方向的實際偏差。
- 測量門孔的高度。

最大容許偏差 d_{\max} 的計算方式如下：

$d_{\max} = \text{兩倍的門口高度} \times 0.2 \text{ 公釐} / \text{公尺}$

舉例來說：如果門口高度為 2 公尺，則最大容許偏差為

$d_{\max} = 2 \times 2 \text{ 公尺} \times 0.2 \text{ 公釐} / \text{公尺} = 0.8 \text{ 公釐}$ 。因此，標記至多僅可相差 0.8。

有關操作方式的指點

- ▶ **記號要打在激光點或激光線段的中央位置。** 激光點的大小或激光線段的寬度會隨著距離而改變。

激光辨識鏡（附件）

激光辨識鏡會過濾周圍環境的光線。因此激光束的紅光會顯得更亮。

- ▶ **雷射光束辨識鏡不可以充電防護眼鏡。** 戴上雷射光束辨識鏡之後，可以幫助您辨識雷射光束，它並不能保護您免受雷射光束輻射傷害。
- ▶ **不可以使用雷射光束辨識鏡充當太陽眼鏡，也不可以戴著雷射光束辨識鏡上街。** 雷射光束辨識鏡不具備防止紫外線功能，而且會減弱您對顏色的辨識能力。

使用三腳架工作（附件）（參考插圖 E）

三腳架可為您提供一個可調整高度的穩固測量基座。將測量工具安裝至轉檯 12 上。再將轉檯透過 5/8" 三腳架固定座 9 安裝至三腳架 19 或一般市售土木用三腳架的螺紋孔上。利用三腳架的止付螺絲，將轉檯旋緊固定。

使用測量板工作（附件）（參考插圖 F - G）

借助測量板 18，可以把地板上的激光記號點，或者把激光的高度轉載到牆上。

使用零面和刻度盤可以測量改變高度後的位移距離，並且把它轉載到其它的位置。因此不必重新調整測量儀的高度。

測量板 18 覆蓋了反射膜，可以幫助操作者在遠距離或日照強烈的環境中辨識激光束。當您的視線與激光平行時，才能體會反射膜的加強激光功能。

操作範例（參考插圖 B - E）

有關測量儀器的使用範例請參考說插圖說明。

維修和服務

維修和清潔

使用附帶的保護套儲存和攜帶儀器。

測量儀器必須隨時保持清潔。

不可以把儀器放入水或其它的液體中。

使用潮濕、柔軟的布擦除儀器上的污垢。不可以使用洗滌劑或溶劑清潔儀器。

務必定期清潔激光出口，清潔時不可以有出口殘留絨毛。

將儀器送修之前，必須先把儀器放入防護套 20 中。

顧客服務處和顧客諮詢中心

本公司顧客服務處負責回答有關本公司產品的修理、維護和備件的問題。以下的網頁中有爆炸圖和備件的資料：

www.bosch-pt.com

博世顧客諮詢團隊非常樂意為您解答有關本公司產品及附件的問題。

當您需要諮詢或訂購備用零組件時，請務必提供本產品型號銘牌上的 10 位項目編號。

台灣

台灣羅伯特博世股份有限公司

建國北路一段 90 號 6 樓

台北市 10491

電話：(02) 2515 5388

傳真：(02) 2516 1176

www.bosch-pt.com.tw

制造商地址：

Robert Bosch Power Tools GmbH

羅伯特·博世電動工具有限公司

70538 Stuttgart / GERMANY

70538 斯圖加特 / 德國

處理廢棄物

必須以符合環保要求的方式回收再利用損壞的儀器、附件和包裝材料。

不可以把損壞的測距儀和蓄電池 / 電池丟棄在一般的家庭垃圾中！

保留修改權

한국어

안전 수칙



측정공구의 안전한 사용을 위해 모든 수칙들을 숙지하고 이에 유의하여 작업하시기 바랍니다. 측정공구를 해당 지침에 따라 사용하지 않으면, 측정공구에 내장되어 있는 안전장치에 안 좋은 영향을 미칠 수 있습니다. 측정공구의 경고판을 절대로 가려서는 안 됩니다. 안전수칙을 잘 보관하고 공구 양도 시 측정공구와 함께 전달하십시오.

▶ 주의 - 여기에 나와있는 사용장치나 조절장치가 아닌 것을 사용하거나 다른 방법으로 작업할 경우 위험한 방사선 노출을 유발할 수 있습니다.

▶ 본 측정공구는 경고판과 함께 공급됩니다 (측정공구 도면에 5로 표시).



▶ 경고판이 한국어로 되어 있지 않으면 처음 사용하기 전에 함께 공급되는 한국어 스티커를 그 위에 붙이십시오.



사람이나 동물에게 레이저 광선을 비추서는 안되며, 레이저의 직사광선이나 반사광을 직접 쳐다보서는 안됩니다. 사람의 눈이 멀거나 사고가 발생할 수 있으며, 눈에 손상을 입을 수 있습니다.

▶ 레이저 광선이 눈에 닿으면, 즉시 눈을 감고 광선을 피해 머리를 돌리십시오.

▶ 레이저의 방향을 바꾸지 마십시오.

▶ 레이저용 안경을 보안경으로 사용하지 마십시오. 레이저용 안경은 레이저빔을 더 잘 보기 위해 사용하는 것으로 레이저 방사로부터 보호하지 않습니다.

▶ 레이저용 안경을 선글라스로 착용하거나 운전할 때 사용하지 마십시오. 레이저용 안경을 사용해도 UV 자외선으로부터 완전히 보호할 수 없으며 색상 감별력이 감소합니다.

▶ 측정공구의 수리는 해당 자격을 갖춘 전문 인력에게 맡기고, 수리 정비 시 순정 부품만 사용하십시오. 이 경우에만 측정공구의 안전성을 오래 유지할 수 있습니다.

▶ 레이저 측정공구를 어린이 혼자 사용하지 않도록 하십시오. 실수로 다른 사람의 눈을 일시적으로 안 보이게 할 수 있습니다.

▶ 가연성 유체나 가스 혹은 분진 등 폭발 위험이 있는 곳에서 측정공구를 사용하지 마십시오. 측정공구에 분진이나 증기를 정화하는 스파크가 생길 수 있습니다.



측정공구를 심장 박동 조절장치에 가까이 하지 마십시오. 측정공구의 내부에 있는 자석으로 인해 자기장이 형성되어 심장 박동 조절장치의 기능에 지장을 줄 수 있습니다.

▶ 측정공구를 자기 데이터 매체나 자력에 예민한 기기에서 멀리 두십시오. 측정 공구 자석의 영향으로 데이터가 영구적으로 손실될 수 있습니다.

제품 및 성능 소개

규정에 따른 사용

측정공구는 수평선, 수직선 및 수직점을 이용해 레벨링 작업을 수행하는 용도로 사용됩니다.

제품의 주요 명칭

제품의 주요 명칭에 표기되어 있는 번호는 측정공구의 그림이 나와있는 면을 참고하십시오.

- 1 레이저빔 발사구
- 2 배터리 케이스 덮개 잠금쇠
- 3 배터리 케이스 덮개
- 4 일련 번호
- 5 레이저 경고판
- 6 측정공구 고정 너트
- 7 전원 스위치
- 8 회전대 레벨기
- 9 삼각대 연결 부위 5/8"
- 10 회전대 높이 조정 나사
- 11 회전대 미세 조정 나사
- 12 회전대
- 13 회전대 고정 너트
- 14 자동 레벨링 기능 없이 작동 시 표시기
- 15 작동 디스플레이 / 배터리 경고장치
- 16 수직 작동 버튼
- 17 수평 작동 버튼
- 18 받침대가 있는 측정판 *
- 19 삼각대 *
- 20 안전 케이스
- 21 레이저용 안경*

*도면이나 설명서에 나와 있는 액세서리는 표준 공급부품에 속하지 않습니다.

24 | 한국어

제품 사양

라인 레이저 레벨		GLL 3-15 X	
제품 번호		3 601 K63 M..	
작업 영역 ¹⁾			
- 레이저 라인	m	15	
- 수직점	m	5	
레이저 라인 레벨링 정확도			
표준 ²⁾	mm/m	±0.2	
자동 레벨링 범위, 평균	°	±3	
레벨링 시간, 평균	s	<4	
작동 온도	°C	-10... +45	
보관 온도	°C	-20... +70	
상대 습도, 최대	%	90	
레이저 등급		2	
레이저 유형	nm	630-650	
	mW	<1	
C ₆		1	
삼각대 홀더 ³⁾	"	5/8	
배터리		4 x 1.5 V LR06 (AA)	
대략적인 작동 시간			
- 레이저 라인 1	h	24	
- 레이저 라인 2	h	14	
- 레이저 라인 3	h	10	
EPTA 공정 01:2014 에 따른 중량	kg	0.54	
치수 (길이 x 폭 x 높이)			
- 회전대 미장착	mm	122 x 83 x 129	
- 회전대 장착	mm	직경 151 x 203	
안전 등급			
(배터리 케이스 제외)		IP 54*	
1) 직접 햇빛이 드는 등의 불리한 환경 조건에서는 작업 범위가 감소할 수 있습니다.			
2) 공장 출시 시			
3) 회전대와 함께만 가능			
* 먼지 및 분무수 침투 방지			
귀하의 측정공구를 정확히 식별하려면 타입 표시판에 나와있는 일련 번호 4 를 확인하십시오.			

조립

배터리 끼우기 / 교환하기

측정공구를 작동하기 위해 알칼리 망간 배터리를 사용하는 것이 좋습니다.

배터리 케이스 덮개 3 을 열기 위해 잠금쇠 2 위치까지 누른 뒤 배터리 케이스 덮개를 빼냅니다. 배터리를 끼웁니다. 이때 배터리함 안에 표시된 전극의 방향에 유의하십시오.

배터리 경고장치 15 가 점멸하면 배터리를 교체해야 합니다.

항상 배터리를 모두 동시에 교환해 주십시오. 반드시 제조사의 동일한 용량의 배터리만을 사용하십시오.

▶ 장시간 측정공구를 사용하지 않을 경우에는 배터리를 측정공구에서 빼십시오. 오래 저장할 경우 배터리가 부식하거나 저절로 방전될 수 있습니다.

회전대 사용하기 (그림 A 참조)

측정공구를 회전대 12 의 기기 홀더에 놓을 때 회전대의 고정 너트 13 이 측정공구 하부의 해당 너트 6 사이에 오도록 합니다. 측정공구를 시계방향으로 돌려서 회전대에 고정시킵니다.

회전대 다리를 높이 조정 나사 10 을 통해 풀어줍니다. 레벨기 8 을 사용해 대략적으로 회전대를 조정합니다.

작동

기계 시동

▶ 측정공구가 물에 젖거나 직사 광선에 노출되지 않도록 하십시오.

▶ 측정공구를 극심한 온도에서 혹은 온도 변화가 심한 곳에서 사용하지 마십시오. 예를 들면 측정공구를 자동차 안에 장기간 두지 마십시오. 온도 변화가 심한 경우 측정공구를 사용하기 전에 우선 적당한 온도가 되도록 하십시오. 극심한 온도에서나 온도 변화가 심한 환경에서 사용하면 측정공구의 정확도가 떨어질 수 있습니다.

▶ 측정공구에 심하게 충격을 가하거나 떨어뜨리지 마십시오. 측정공구에 무리한 외부의 작용이 가해진 경우 계속 사용하기 전에 반드시 정확도 테스트를 실시해야 합니다 (“레벨링 정확도” 참조).

▶ 측정공구를 운반할 때 반드시 스위치를 끄십시오. 스위치가 꺼진 상태에서는 레벨링 장치가 잠겨 있어 심한 움직임에 손상될 염려가 없습니다.

스위치 켜기 / 끄기

측정공구의 전원을 켜려면 전원 스위치 7 을

“On” (자동레벨링 기능 미사용) 또는 “On” (자동레벨링 기능 사용) 위치까지 밀어주십시오. 작동 디스플레이 15 가 켜지는 즉시 측정공구가 전면 발사구 1 에서 수평 레이저 라인을 내보냅니다.

▶ 레이저빔을 사람이나 동물에 향하지 않도록 하고, 먼 거리에서라도 레이저빔 안으로 들여다 보지 마십시오.

측정공구의 전원을 끄려면 전원 스위치 7 을 “Off” 위치로 밀어주십시오. 작동 디스플레이 15 가 꺼집니다. 꺼질 때 셔플장치가 로크됩니다.

최고 허용 운전온도 45°C 를 초과하면 측정공구가 레이저 다이오드를 보호하기 위해 자동으로 꺼집니다. 냉각된 후에 측정공구 작동이 가능하게 되며 스위치를 다시 켤 수 있습니다.

자동 꺼짐 기능 해제하기

측정공구가 작동 시간 30 분 후에 자동으로 꺼집니다. 자동 꺼짐을 비활성화하려면 측정공구를 켤 때 수직 작동 버튼 16 또는 수평 작동 버튼 17 을 3초간 눌러줍니다. 자동 꺼짐 기능이 비활성화되면 3초 후에 레이저 라인이 잠깐동안 깜박입니다.

▶ **측정공구가 켜져 있는 상태에서 자리를 비우지 말고, 사용 후에는 측정공구의 스위치를 끄십시오.** 레이저 빔으로 인해 다른 사람의 눈을 일시적으로 안 보이게 할 수 있습니다.

자동 꺼짐 기능을 활성화하려면 측정공구의 전원을 켜다가 다시 켕니다 (버튼 누름 없이).

작동모드 (그림 B-D 참조)

수평 작동 및 수직 작동은 서로 독립적으로 켜지고 꺼집니다. 모든 작동 모드는 자동 레벨링 기능과 함께 또 자동 레벨링 기능 없이 선택 가능합니다.

수평 모드

스위치를 켜면 측정공구는 수평 작동 모드에 있으며 앞쪽에서 수평 레이저 라인을 내보냅니다.

수평 레이저 라인을 켜거나 끄려면 수평 작동 버튼 17 을 누릅니다.

수직 작동과 수직점

측정공구는 두 가지의 수직 작동 모드가 있습니다.

- 전면 수직 레이저 라인
- 전면 및 측면 수직 레이저 라인

그외에도 모든 수직 작동 모드에서 아래쪽으로 수직점이 투사됩니다.

수직 작동을 켜고 끄거나 수직 작동 모드를 바꾸려면 원하는 작동 모드가 나올 때까지 수직 작동 버튼 16 을 눌러줍니다.

측정공구가 회전대 12 에서 설치되어 있으면 미세 조정 나사 11 를 사용하여 수직 레이저 라인을 정확히 기준점에 맞출 수 있습니다.

자동 레벨링 기능

자동 레벨링 기능으로 작업하기

측정공구를 수평의 고정된 받침 위에 놓거나 회전대 12 에서 고정하십시오.

자동 레벨링 기능을 이용하여 작업하기 위해 전원 스위치 7 을 “On” 위치로 밀어줍니다.

자동 레벨링 기능은 자동 레벨링 범위 ±3° 내에서 평평하지 않은 상태를 자동으로 보정합니다. 레이저 선이 더 이상 움직이지 않으면 레벨링이 끝난 것입니다.

만일 측정공구의 설치면이 수평에서 3° 이상 벗어나는 등의 이유로 자동 레벨링이 불가능하면 레이저 라인이 빠르게 깜박이기 시작합니다.

측정공구를 수평으로 세우고 자동 조정될 때까지 기다리십시오. 측정공구가 자동 레벨링 범위 ±3° 안에 들어오는 즉시 레이저 라인은 지속적으로 켜집니다.

작동하는 동안 흔들리거나 위치가 변경되는 경우 측정공구는 자동으로 다시 레벨링됩니다. 다시 레벨링된 후 기준점에 맞춰 레이저 라인의 위치를 점검하여 오류를 방지합니다.

자동 레벨링 기능 없이 작업하기

자동 레벨링 없이 작업하려면 전원 스위치 7 을 “On” 위치로 밀어줍니다. 자동 레벨링 기능이 꺼진 상태에서 디스플레이 14 에서 적색이 켜지면 레이저 라인이 계속해서 천천히 깜박입니다.

자동 레벨링 기능이 해제된 상태에서는 측정공구를 손에 들고 있거나 경사진 바닥에 놓아도 됩니다. 레이저 선이 더 이상 반드시 직각으로 만나지 않습니다.

레벨링 정확도

정확도에 미치는 영향

가장 큰 영향을 미치는 것은 주위 온도입니다. 특히 바닥에서부터 위로 가면서 온도 차가 있으면 레이저빔이 굴절될 수 있습니다.

바닥 가까이에서 온도 변화가 가장 심하므로 가능한 한 측정공구를 삼각대 19 에서 조립하여 사용해야 합니다. 또한 측정공구를 작업장 중간 지점에 놓으십시오.

외부 요인 외에도 장비에 따른 요인 (예: 전복 또는 충격의 강도)에 따라 차이가 있을 수 있습니다. 따라서 작업을 시작하기 전마다 레벨링 정확도를 점검하십시오.

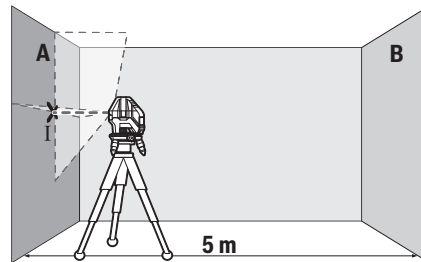
수평 레이저 라인의 레벨링 및 높이의 정확도를 우선적으로 점검한 후 수직 레이저 라인의 레벨링 정확도를 각각 점검하십시오.

정확도 확인 시 측정공구가 한번이라도 최대 편차를 초과할 경우 보쉬 서비스 센터에 맡겨 수리하십시오.

수평선의 높이 정확도 확인하기

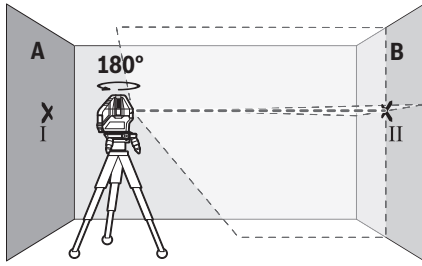
이 테스트를 하려면 벽 A와 B 사이에 단단한 바닥이 있는 5 m 구간의 빈 공간이 필요합니다.

- 측정공구를 A 벽면 가까이 회전대나 삼각대, 또는 고정된 평평한 바닥면에 세웁니다. 측정공구를 자동 레벨링 기능을 사용하는 작동 상태로 켜십시오. 수평 작동과 임의의 수직 작동 모드를 켜십시오.

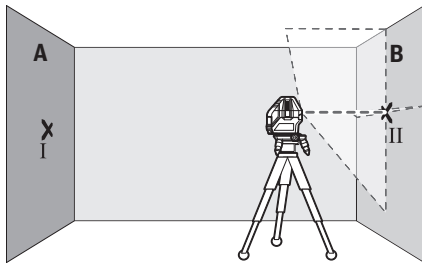


- 레이저를 가까이 있는 벽 A에 향하게 하고 측정공구가 레벨링하도록 하십시오. 벽에 레이저 선이 서로 교차하는 점의 중심을 표시하십시오 (점 I).

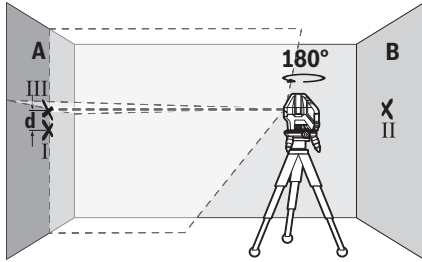
26 | 한국어



- 측정공구를 180° 돌리고, 다시 레벨링하게 한 후 건너편 벽 B에 레이저 선의 교차하는 점을 표시하십시오 (점 II).
- 측정공구를 -돌리지 않은 상태로 - 벽 B에 가까이 두고 스위치를 켜 후 레벨링이 되도록 합니다.



- (삼각대를 사용하거나 혹은 받침대를 사용하여) 측정공구의 레이저 선 교차점이 벽 B에 이전에 표시했던 점 II와 정확히 일치하도록 하여 그 높이를 맞추십시오.



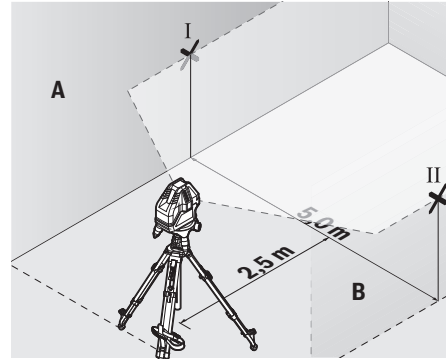
- 높이를 변경하지 말고 측정공구를 180° 돌리십시오. 측정공구를 수직 레이저 선이 이미 표시된 점 I을 통과하도록 하여 벽 A에 맞추십시오. 측정공구를 레벨링하게 한 후 벽 A에 레이저 선의 교차점을 표시하십시오 (점 III).
- 벽 A에 표시된 점 I과 III의 차이 **d**가 측정공구의 실제 높이 편차입니다.

최대 허용 편차 d_{max} 는 다음과 같이 계산합니다.
 $d_{max} = \text{벽면 간격 두배} \times 0.2 \text{ mm/m}$
 예: 벽 간격이 5 m 인 경우 최대 편차
 $d_{max} = 2 \times 5 \text{ m} \times 0.2 \text{ mm/m} = 2 \text{ mm}$ 입니다.
 따라서 마크는 최대 2 mm를 벗어날 수 없습니다.

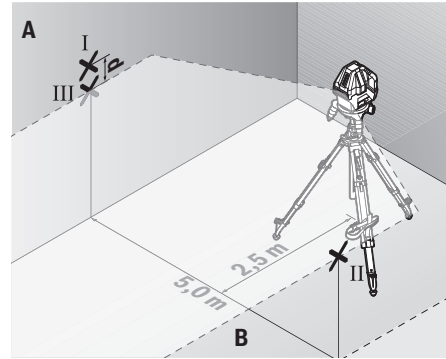
수평선의 레벨링 정확도 확인하기

이 테스트를 하려면 5 x 5 m 가량의 빈 면적이 필요합니다.

- 측정공구를 A 벽면과 B 벽면 사이의 회전대나 삼각대 위에 설치하거나 고정된 평평한 바닥면에 세웁니다. 측정공구를 자동 레벨링 기능을 사용하는 작동 상태로 켜십시오. 수평 작동을 켜고 측정공구를 레벨링하십시오.



- 측정공구에서 2.5 m 떨어진 거리에서 양쪽 벽에 레이저 선의 중심을 표시하십시오 (벽 A에 점 I과 벽 B에 점 II).



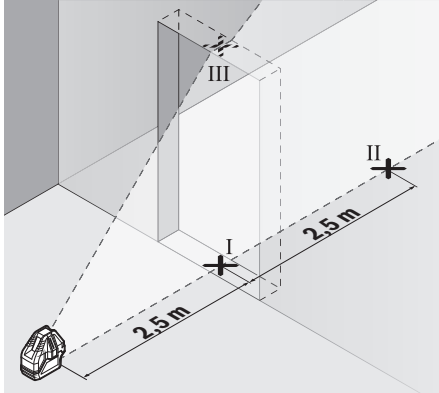
- 측정공구를 180° 돌려 5 m 거리에 세우고 레벨링 하도록 합니다.
- (삼각대를 사용하거나 혹은 받침대를 사용하여) 측정공구의 레이저 선의 중심이 벽 B에 이전에 표시했던 지점 II에 정확히 일치하도록 하여 그 높이를 맞추십시오.
- 벽 A에 레이저 선의 중심을 지점 III을 표시하십시오 (지점 I과 수직으로 하여 위나 아래로).
- 벽 A에 표시된 이 두 지점 I과 III의 차이 **d**가 측정공구의 실제 수평 편차입니다.

최대 허용 편차 d_{max} 는 다음과 같이 계산합니다.
 $d_{max} = \text{벽면 간격 두배} \times 0.2 \text{ mm/m}$
 예: 벽 간격이 5 m 인 경우 최대 편차
 $d_{max} = 2 \times 5 \text{ m} \times 0.2 \text{ mm/m} = 2 \text{ mm}$ 입니다.
 따라서 마크는 최대 2 mm를 벗어날 수 없습니다.

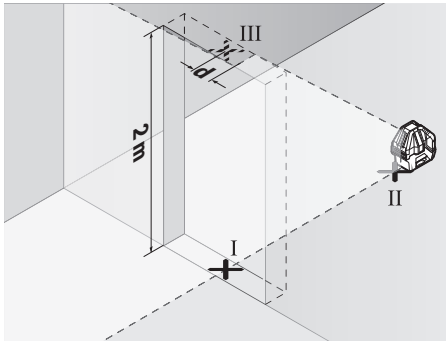
수직선의 레벨링 정확도 확인하기

이 테스트를 하려면 (단단한 바닥에) 문의 양쪽으로 최소한 2.5 m의 자리가 있는 곳이 필요합니다.

- 측정공구를 출입구에서 2.5m 떨어진 위치에서 (회전대나 삼각대 위가 아닌) 고정된 평평한 바닥 위에 놓습니다. 측정공구를 자동 레벨링 기능을 사용하는 작동 상태로 켜십시오. 모든 수직 레이저 라인과 함께 수직 작동을 켜고 전면 수직 레이저 라인을 출입구로 향하게 합니다. 측정공구를 레벨링 시킵니다.



- 수직 레이저 선의 중심을 문 바닥(지점 I)에, 문의 다른 쪽에 5 m 떨어진 거리(지점 II)에 그리고 문 위쪽 면(지점 III)에 각각 표시합니다.



- 측정공구를 문 건너편 지점 II 바로 뒤쪽에 놓으십시오. 측정공구가 레벨링하고 나면 수직 레이저 선의 중심이 정확히 지점 I 과 II 를 통과하도록 맞추십시오.
- 점 III 과 문 부위 위쪽에 있는 레이저 선 중심과의 차이 **d** 가 측정공구 수직선의 실제 편차입니다.
- 문 부위의 높이를 측정하십시오.

최대 허용 편차 d_{max} 는 다음과 같이 계산합니다.

$$d_{max} = \text{출입구 높이 두배} \times 0.2 \text{ mm/m}$$

예: 출입구 높이가 2 m 의 경우 최대 편차

$$d_{max} = 2 \times 2 \text{ m} \times 0.2 \text{ mm/m} = 0.8 \text{ mm} \text{ 입니다.}$$

따라서 마크는 최대 0.8 mm 를 벗어날 수 없습니다.

사용방법

- ▶ **측정할 때 항상 레이저 포인트나 레이저 라인의 중점을 사용해야 합니다.** 레이저 포인트의 크기와 레이저 라인의 폭은 거리에 따라 상이합니다.

레이저용 안경 (별매 액세서리)

레이저용 안경은 주위의 광선을 필터링하여 레이저의 적색 광선을 눈에 더 잘 보이게 합니다.

- ▶ **레이저용 안경을 보안경으로 사용하지 마십시오.** 레이저용 안경은 레이저빔을 더 잘 보기 위해 사용하는 것으로 레이저 방사로부터 보호하지 않습니다.

- ▶ **레이저용 안경을 선글라스로 착용하거나 운전할 때 사용하지 마십시오.** 레이저용 안경을 사용해도 UV 자외선으로부터 완전히 보호할 수 없으며 색상 감별력이 감소합니다.

삼각대를 사용한 작업 (별매 액세서리) (그림 E 참조)

삼각대를 사용하여 높이를 조정하며, 안정적으로 측정할 수 있습니다. 회전대 **12** 위에 측정공구를 설치하십시오. 5/8" 삼각대를 **9** 와 함께 회전대를 삼각대 **19** 또는 일반 건축용 삼각대의 나사부 위에 놓습니다. 회전대를 삼각대 고정 나사로 고정하십시오.

측정판을 사용한 작업 (별매 액세서리)

(그림 F-G 참조)

측정판 **18** 을 사용하면 바닥에 레이저 표시를 하거나 벽에 레이저 높이를 투영할 수 있습니다.

제로 부위와 눈금으로 원하는 높이에 대한 차이를 측정할 수 있으며 다른 위치에서 다시 투영될 수 있습니다. 그러므로 표시하려는 높이에서 측정공구를 정확히 설정하지 않아도 됩니다.

측정판 **18** 에서는 반사 코팅이 되어 있어 먼 거리에서 혹은 강한 태양 광선에서도 레이저빔을 잘 볼 수 있습니다. 레이저빔과 평행하게 측정판을 볼 경우에만 명암의 강도가 개선된 것을 확인할 수 있습니다.

작업 실례 (그림 B-E 참조)

측정공구의 사용방법의 실례는 그림이 나와있는 면을 참고하십시오.

보수 정비 및 서비스

보수 정비 및 유지

반드시 측정공구를 함께 공급된 안전 케이스에 넣어 보관하고 운반하십시오.

항상 측정공구를 깨끗이 유지하십시오.

측정공구를 물이나 다른 액체에 넣지 마십시오.

물기있는 부드러운 천으로 오염된 부위를 깨끗이 닦으십시오. 세척제나 용제를 사용하지 마십시오.

특히 레이저빔 발사구 표면을 정기적으로 깨끗이하고 보푸라기가 없도록 하십시오.

수리를 해야 할 경우 측정공구를 안전 케이스 **20** 에서 넣어 보내 주십시오.

28 | ภาษาไทย

보쉬 AS 및 고객 상담

보쉬는 귀하의 제품 및 수리에 관한 문의를 받고 있습니다.

AS 센터 정보 및 제품에 대한 고객 상담은 하기 고객 콜센터 및 이메일 상담을 이용해주시기 바랍니다.

고객 콜센터 : 080-955-0909

이메일 상담 :

Bosch-pt.hotline@kr.bosch.com

문의나 대체 부품 주문 시에는 반드시 제품 네임 플레이트에 있는 10 자리의 부품번호를 알려 주십시오.

Bosch Korea, RBKR

Mechanics and Electronics Ltd.

PT/SAX-ASA

298 Bojeong-dong Giheung-gu

Yongin-si, Gyeonggi-do, 446-913

Republic of Korea

080-955-0909

처리

측정공구, 액세서리 및 포장 등은 친환경적인 방법으로 재활용될 수 있도록 분류하십시오.

측정공구와 배터리 팩 / 배터리를 가정용 쓰레기로 처리하지 마십시오!

위 사항은 사전 예고 없이 변경될 수 있습니다.

ภาษาไทย**กฎระเบียบเพื่อความปลอดภัย**

ต้องอ่านและปฏิบัติตามคำแนะนำทั้งหมดเพื่อจะ

จะสามารถใช้เครื่องมือวัดทำงานได้อย่างปลอดภัย หากไม่ใช้เครื่องมือวัด

ตามคำแนะนำต่อไปนี้ ระบบป้องกัน

เบ็ดเสร็จในเครื่องมือวัดอาจได้รับผล

กระทบอย่างทำให้ป้ายเตือนที่อยู่บนเครื่องมือวัดนี้ลบเลือน เก็บรักษาคำแนะนำเหล่านี้ไว้ให้ดี และหากเครื่องมือวัดนี้ถูกส่งต่อไปยังผู้อื่น ให้ส่งมอบคำแนะนำเหล่านี้ไปด้วย

▶ **ข้อควรระวัง – การใช้อุปกรณ์ปฏิบัติงานหรืออุปกรณ์ปรับแต่งอื่นๆ หรือการใช้วิธีการทำงานที่นอกเหนือไปจากที่กล่าวถึงในที่นี้ อาจทำให้ได้รับรังสีที่เป็นอันตรายได้**

▶ **เครื่องมือวัดนี้จัดส่งมาพร้อมป้ายเตือน (หมายเลข 5 ในภาพประกอบของเครื่องมือวัด)**



IEC 60825-1:2014-05
<1mW, 630-650 nm
Laser Radiation
Class 2
Do not stare into beam.

▶ **หากข้อความของป้ายเตือนไม่ได้พิมพ์เป็นภาษาของท่าน ก่อนใช้งานครั้งแรก ให้ติดป้ายเตือนที่พิมพ์เป็นภาษาของท่านที่จัดส่งมาที่กล่องบนป้ายเดิม**



อย่าส่องลำแสงเลเซอร์ไปยังคนหรือสัตว์ และตัวท่านเองอย่าจ้องมองลำแสงเลเซอร์โดยตรงหรือลำแสงเลเซอร์ที่สะท้อน ในลักษณะนี้จะสามารถทำให้คนตาพร่า ก่อให้เกิดอุบัติเหตุ หรือทำลายดวงตาได้

▶ **ถ้าแสงเลเซอร์เข้าตา ต้องปิดตาและหันศีรษะออกจากลำแสงในทันที**

▶ **อย่าทำการเปลี่ยนแปลงใดๆ ที่อุปกรณ์เลเซอร์**

▶ **อย่าใช้แว่นสำหรับมองแสงเลเซอร์เป็นแว่นนิรภัย** แว่นสำหรับมองแสงเลเซอร์ใช้สำหรับมองลำแสงเลเซอร์ให้เห็นชัดเจนขึ้น แต่ไม่ได้ช่วยป้องกันรังสีจากลำแสงเลเซอร์

▶ **อย่าใช้แว่นสำหรับมองแสงเลเซอร์เป็นแว่นกันแดดหรือใส่ขั้วรถยนต์** แว่นสำหรับมองแสงเลเซอร์ไม่สามารถป้องกันรังสีอัลตราไวโอเล็ต (UV) ได้อย่างสมบูรณ์ และยังทำให้มองเห็นแสงสีไม่ชัดเจน

▶ **การซ่อมแซมเครื่องมือวัดควรทำโดยผู้เชี่ยวชาญและใช้อะไหล่แท้เท่านั้น** ทั้งนี้เพื่อให้มั่นใจได้ว่าจะสามารถใช้งานเครื่องมือวัดได้อย่างปลอดภัยเสมอ

▶ **อย่าให้เด็กใช้เครื่องมือวัดด้วยเลเซอร์โดยไม่มีผู้ควบคุมดูแล** เด็กๆ อาจทำให้ผู้อื่นตาบอดโดยไม่ตั้งใจ

▶ **อย่าใช้เครื่องมือวัดในบรรยากาศที่มีโอกาสระเบิด เช่น ในบริเวณที่มีของเหลวติดไฟได้ แก๊ส หรือฝุ่นละออง** ในเครื่องมือวัดสามารถเกิดประกายไฟซึ่งอาจจุดฝุ่นละอองหรือไอระเหยให้ติดไฟได้



ต้องกันเครื่องมือวัดให้ห่างจากเครื่องปรับจังหวะการเดินของหัวใจด้วยไฟฟ้า แม่เหล็กในเครื่องมือวัดจะสร้างสนามแม่เหล็ก ซึ่งสามารถทำให้เครื่องปรับจังหวะการเดินของหัวใจด้วยไฟฟ้าทำงานบกพร่องได้

▶ **ต้องกันเครื่องมือวัดให้ห่างจากสื่อข้อมูลที่มีคุณสมบัติเป็นแม่เหล็กและอุปกรณ์ที่ไวต่อแรงดึงดูดแม่เหล็ก** แม่เหล็กสามารถทำให้ข้อมูลสูญหายอย่างเรียกกลับไม่ได้

รายละเอียดผลิตภัณฑ์และ**ข้อมูลจำเพาะ****ประโยชน์การใช้งาน**

เครื่องมือวัดนี้ใช้สำหรับทำระดับโดยใช้เส้นแนวนอน เส้นแนวตั้ง รวมทั้งจุดตั้ง เป็นตัวกำหนด

ส่วนประกอบผลิตภัณฑ์

ลำดับเลขของส่วนประกอบผลิตภัณฑ์อ้างอิงถึงส่วนประกอบของเครื่องมือวัดที่แสดงในหน้าภาพประกอบ

- 1 ช่องทางออกลำแสงเลเซอร์
- 2 ตัวล็อกฝาแบตเตอรี่
- 3 ฝาแบตเตอรี่
- 4 หมายเลขเครื่อง
- 5 ป้ายเตือนแสงเลเซอร์
- 6 ร่องยึดของเครื่องมือวัด
- 7 สวิตช์เปิด-ปิด
- 8 ระดับน้ำของแท่นหมุน
- 9 ช่องประกอบของขาตั้งแบบสามขาขนาด 5/8"
- 10 สกรูปรับความสูงของแท่นหมุน
- 11 สกรูปรับละเอียดของแท่นหมุน
- 12 แท่นหมุน

- 13 ร่องยึดของแท่นหมุน
- 14 ไฟแสดงการทำงานโดยไม่มีการทำระดับอัตโนมัติ
- 15 ไฟแสดงสถานะการทำงาน/ไฟเตือนสถานะเบตเตอร์
- 16 ปุ่มการทำงานตามแนวตั้ง
- 17 ปุ่มการทำงานตามแนวนอน
- 18 แผ่นวัดพร้อมขาตั้ง*
- 19 ขาตั้งแบบสามขา*
- 20 กระเป๋าลิใส่เครื่องมือวัด
- 21 แวนสำหรับมองแสงเลเซอร์*

*อุปกรณ์ประกอบในภาพประกอบหรือในคำอธิบาย ไม่รวมอยู่ในการจัดส่งมาตรฐาน

ข้อมูลทางเทคนิค

กัล้องเลเซอร์แบบเส้น	GLL 3-15 X	
หมายเลขสินค้า	3 601 K63 M..	
ย่านการทำงาน ¹⁾		
- เส้นเลเซอร์	ม.	15
- จุดตั้ง	ม.	5
ความแม่นยำการทำระดับเส้นเลเซอร์ ตามปกติ ²⁾	มม./ม.	± 0.2
ย่านการทำระดับอัตโนมัติ ปกติ	°	± 3
ระยะเวลาทำระดับ ปกติ	วินาที	< 4
อุณหภูมิปฏิบัติงาน	°C	-10 ... +45
อุณหภูมิเก็บรักษา	°C	-20 ... +70
ความชื้นสัมพัทธ์ สูงสุด	%	90
ระดับเลเซอร์		2
ชนิดเลเซอร์	nm mW	630-650 < 1
C ₆		1
ช่องประกอบของขาตั้งแบบสามขา ³⁾	"	5/8
เบตเตอร์		4 x 1.5 โวลท์ LR06 (AA)
ระยะเวลาทำงาน ประมาณ		
- กับเส้นเลเซอร์ 1 เส้น	ชั่วโมง	24
- กับเส้นเลเซอร์ 2 เส้น	ชั่วโมง	14
- กับเส้นเลเซอร์ 3 เส้น	ชั่วโมง	10
น้ำหนักตามระเบียบการ-EPTA-Procedure 01:2014	กก.	0.54
ขนาด (ยาว x กว้าง x สูง)		
- ไม่มีแท่นหมุน	มม.	122 x 83 x 129
- มีแท่นหมุน	มม.	Ø 151 x 203
ระดับการป้องกัน (ยกเว้นเบตเตอร์)		IP 54*

1) ย่านการทำงานอาจลดลงหากมีสภาวะแวดล้อมที่ไม่เหมาะสม (ต.ย. เช่น แสงอาทิตย์ส่องโดยตรง)

2) จากโรงงาน

3) มีเฉพาะร่วมกับแท่นหมุน

* ป้องกันฝุ่นและน้ำกระเด็นเปียก

เครื่องมือวัดนี้หมายถึงเลเซอร์ 4 บนแผ่นป้ายรุ่น

การประกอบ

การใส่/การเปลี่ยนเบตเตอร์

ขอแนะนำให้ใช้เบตเตอร์แบบอัลคาไลน์แมงกานีสกับเครื่องมือวัดนี้

เปิดฝาเบตเตอร์ 3 โดยกดลงบนตัวล็อก 2 และถอดฝาเบตเตอร์ออกใส่เบตเตอร์เข้าไป ขณะใส่เบตเตอร์ต้องดูให้ขั้วเบตเตอร์อยู่ในตำแหน่งที่ถูกต้องตามที่กำหนดไว้ที่ด้านในช่องใส่เบตเตอร์

หากไฟเตือนสถานะเบตเตอร์ 15 กะพริบ ต้องเปลี่ยนเบตเตอร์

เปลี่ยนเบตเตอร์ทุกก้อนพร้อมกันเสมอ โดยใช้เบตเตอร์ยี่ห้อเดียวกันทั้งหมดและมีความจุเท่ากันทุกก้อน

▶ เมื่อไม่ใช้งานเป็นเวลานาน ให้นำเบตเตอร์ออกจากเครื่องมือวัด หากใส่เบตเตอร์ทิ้งไว้นานๆ เบตเตอร์จะเกิดการกัดกร่อนและปล่อยประจุไฟฟ้าออกมา

การใช้แท่นหมุน (ดูภาพประกอบ A)

สวมเครื่องมือวัดบนช่องติดตั้งอุปกรณ์ของแท่นหมุน 12 โดยให้ร่องยึด 13 ของแท่นหมุนประกบเข้าพอดีระหว่างร่องยึด 6 ที่สอดคล้องกันที่ด้านล่างของเครื่องมือวัดหมุนเครื่องมือวัดในทิศทางตามเข็มนาฬิกาเพื่อล็อกเครื่องมือบนแท่นหมุน

คลายสกรูปรับความสูง 10 ออกเพื่อปรับขาของแท่นหมุนจัดวางแท่นหมุนอย่างคร่าวๆ โดยใช้ระดับน้ำ 8 ช่วย

การปฏิบัติงาน

การเริ่มต้นใช้งาน

▶ ป้องกันไม่ให้เครื่องมือวัดได้รับความชื้นและโดนแสงแดดส่องโดยตรง

▶ อย่าให้เครื่องมือวัดได้รับอุณหภูมิที่สูงมาก หรือรับอุณหภูมิที่เปลี่ยนแปลงมาก ตัวอย่าง เช่น อย่าปล่อยให้เครื่องไว้ในรถยนต์เป็นเวลานาน ในกรณีที่อุณหภูมิมีการเปลี่ยนแปลงมาก ต้องปล่อยให้เครื่องมือวัดปรับเข้ากับอุณหภูมิรอบด้านก่อนใช้เครื่องทำงาน ในกรณีที่ได้รับอุณหภูมิที่สูงมากหรือรับอุณหภูมิที่เปลี่ยนแปลงมาก เครื่องมือวัดอาจมีความแม่นยำน้อยลง

▶ หลีกเลี่ยงอย่าให้เครื่องมือวัดตกหล่นหรือถูกกระแทกอย่างแรง เมื่อเครื่องมือวัดถูกกระทบจากภายนอกอย่างแรง ควรตรวจสอบความแม่นยำก่อนนำไปใช้งานต่อเสมอ (ดู "ความแม่นยำการทำระดับ")

▶ ปิดเครื่องมือวัดขณะเคลื่อนย้าย เมื่อปิดสวิตช์ ชุดทำระดับจะถูกล็อก ถ้าไม่เช่นนั้นการเคลื่อนไหวอย่างรุนแรงอาจทำให้ชุดทำระดับเสียหายได้

การเปิดและปิดเครื่อง

เปิดสวิตช์เครื่องมือวัดโดยดันสวิตช์เปิด-ปิด 7 ไปที่ตำแหน่ง "On" (เมื่อทำงานโดยไม่มีการทำระดับอัตโนมัติ) หรือไปที่ตำแหน่ง "On" (เมื่อทำงานด้วยการทำระดับอัตโนมัติ) ไฟแสดงสถานะการทำงาน 15 ติดขึ้น และเครื่องมือวัดจะปล่อยเส้นเลเซอร์แนวนอนออกจากช่องทางออก 1 ด้านหน้าในทันที

▶ อย่าส่องลำแสงเลเซอร์ไปยังคนหรือสัตว์ และอย่าจ้องมองลำแสงเลเซอร์แม้จะอยู่ในระยะไกล

30 | ภาษาไทย

ปิดสวิตช์เครื่องมือวัดโดยดันสวิตช์เปิด-ปิด 7 ไปที่ตำแหน่ง "Off" ไฟแสดงสถานะการทำงาน 15 ตับลง เมื่อปิดสวิตช์ ชุดทำระดับจะถูกบล็อก

หากเครื่องมืออุณหภูมิเกินกว่าอุณหภูมิการใช้งานสูงสุดที่อนุญาตคือ 45 °C เครื่องจะปิดสวิตช์ ทั้งนี้เพื่อปกป้องหลอดเลเซอร์แบบไดโอด เมื่อเครื่องเย็นลงแล้ว เครื่องพร้อมจะทำงาน ให้เปิดสวิตช์เครื่องมือวัดอีกครั้งได้

การยกเลิกการปิดอัตโนมัติ

เครื่องมือวัดจะปิดสวิตช์โดยอัตโนมัติหลังจากทำงานไป 30 นาทีเมื่อต้องการยกเลิกการปิดสวิตช์โดยอัตโนมัติ ให้กดปุ่มการทำงานตามแนวตั้ง 16 หรือปุ่มการทำงานตามแนวนอน 17 นาน 3 วินาทีในขณะที่เครื่องมือวัดเปิดสวิตช์อยู่ เมื่อการปิดสวิตช์โดยอัตโนมัติถูกยกเลิกแล้ว หลังจากนั้น 3 วินาที เส้นเลเซอร์จะกะพริบสั้นๆ

▶ **อย่าเปิดเครื่องมือวัดทิ้งไว้โดยไม่ควบคุมดูแล และให้ปิดเครื่องมือวัดหลังใช้งาน** ลำแสงเลเซอร์อาจทำให้บุคคลอื่นตาพร่าได้

เมื่อต้องการเรียกใช้งานการปิดสวิตช์โดยอัตโนมัติ ให้ปิดสวิตช์เครื่องมือวัดและเปิดสวิตช์อีกครั้ง (โดยไม่ต้องกดปุ่ม)

รูปแบบการทำงาน (ดูภาพประกอบ B-D)

ท่านสามารถเปิดสวิตช์และปิดสวิตช์การทำงานตามแนวนอนและแนวตั้งอย่างเป็นอิสระจากกัน ท่านสามารถเลือกทำงานด้วยการทำระดับอัตโนมัติ และไม่มีการทำระดับอัตโนมัติกับทุกรูปแบบการทำงาน

การทำงานตามแนวนอน

หลังจากเปิดสวิตช์ เครื่องมือวัดอยู่ในการทำงานตามแนวนอนและปล่อยเส้นเลเซอร์แนวนอนขึ้นไปด้านหน้า

เมื่อต้องการเปิดสวิตช์หรือปิดสวิตช์เส้นเลเซอร์แนวนอน ให้กดปุ่มการทำงานตามแนวนอน 17

การทำงานตามแนวตั้งและจุดตั้ง

เครื่องมือวัดมีรูปแบบการทำงานตามแนวตั้งสองรูปแบบ:

- เส้นเลเซอร์แนวตั้งขึ้นไปด้านหน้า
- เส้นเลเซอร์แนวตั้งขึ้นไปด้านหน้าและด้านข้าง

นอกจากนี้ในทุกรูปแบบการทำงานตามแนวตั้ง จุดตั้งจะถูกฉายลงบนพื้น

เมื่อต้องการเปิด-ปิดสวิตช์การทำงานตามแนวตั้ง หรือเปลี่ยนรูปแบบการทำงานตามแนวตั้ง ให้กดปุ่มการทำงานตามแนวตั้ง 16 ซ้ำๆ จนถึงรูปแบบการทำงานที่ต้องการ

หากเครื่องมือวัดติดตั้งอยู่บนแท่นหมุน 12 ท่านสามารถจัดเส้นเลเซอร์แนวตั้งด้วยสกรูปรับละเอียด 11 ที่จุดอ้างอิงได้อย่างถูกต้องแม่นยำ

การทำระดับอัตโนมัติ

การทำงานด้วยการทำระดับอัตโนมัติ

วางเครื่องมือวัดบนอุปกรณ์หนุนที่มั่นคงและราบเสมอกัน หรือประกอบเครื่องเข้าบนแท่นหมุน 12

สำหรับการทำระดับโดยมีการทำระดับอัตโนมัติ ให้ดันสวิตช์เปิด-ปิด 7 ไปที่ตำแหน่ง "On"

เมื่อเปิดสวิตช์ ฟังก์ชันการทำระดับจะปรับความไม่ราบเรียบให้สมดุลภายในระหว่างการทำระดับอัตโนมัติ $\pm 3^\circ$ ได้เอง การทำระดับสิ้นสุดลงทันทีที่ลำแสงเลเซอร์ไม่เคลื่อนไหวอีกต่อไป

ถ้าฟังก์ชันการทำระดับอัตโนมัติไม่ทำงาน ต.ย. เช่น เนื่องจากพื้นผิวที่เครื่องมือวัดตั้งอยู่เอียงเบนมากกว่า 3° จากระนาบราบ เส้นเลเซอร์จะกะพริบอย่างรวดเร็ว

ตั้งเครื่องมือวัดในตำแหน่งราบ และรอให้เกิดการทำระดับอัตโนมัติ ในทันทีที่เครื่องมือวัดอยู่ภายในระหว่างการทำระดับอัตโนมัติ $\pm 3^\circ$ เส้นเลเซอร์จะติดขึ้นอย่างต่อเนื่อง

ในกรณีที่พื้นลั่นสะเทือนหรือเปลี่ยนตำแหน่งขณะทำงาน เครื่องมือวัดจะทำการปิดโดยอัตโนมัติอีกครั้งเพื่อหลีกเลี่ยงความผิดพลาด ให้ตรวจสอบตำแหน่งของเส้นเลเซอร์กับจุดอ้างอิงเมื่อทำระดับซ้ำอีกครั้ง

การทำงานโดยไม่มีการทำระดับอัตโนมัติ

สำหรับการทำระดับโดยไม่มีการทำระดับอัตโนมัติ ให้ดันสวิตช์เปิด-ปิด 7 ไปที่ตำแหน่ง "On" เมื่อการทำระดับอัตโนมัติปิดสวิตช์อยู่ ไฟ 14 ติดขึ้นสีแดงและเส้นเลเซอร์จะกะพริบซ้ำๆอย่างต่อเนื่อง

เมื่อการทำระดับอัตโนมัติปิดสวิตช์อยู่ ท่านสามารถถือเครื่องมือวัดในมือได้อย่างอิสระ หรือวางเครื่องมือบนพื้นผิวลาดเอียงได้ เส้นเลเซอร์ไม่จำเป็นต้องวางในแนวตั้งตรงซึ่งกันและกันอีกต่อไป

ความแม่นยำการทำระดับ

ผลกระทบต่อความแม่นยำ

อุณหภูมิรอบด้านมีผลต่อความแม่นยำมากที่สุด โดยเฉพาะอย่างยิ่งความแตกต่างของอุณหภูมิจากพื้นขึ้นไประดับสูงกว่าสามารถเบี่ยงเบนลำแสงเลเซอร์ได้

เนื่องจากบริเวณใกล้กับพื้นมีความผันผวนของความร้อนมากที่สุด หากเป็นไปได้ จึงควรติดตั้งเครื่องมือวัดไว้บนขาตั้งแบบสามขา 19 และวางเครื่องไว้ระหว่างกลางพื้นที่ทำงาน

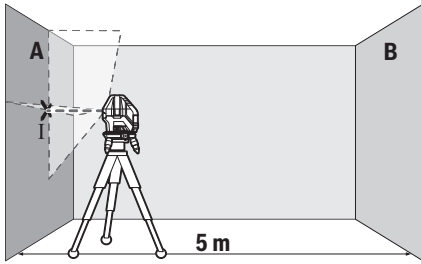
นอกจากสาเหตุและปัจจัยจากภายนอกแล้ว สาเหตุและปัจจัยเฉพาะตัวอุปกรณ์เอง (ต.ย. เช่น การตกหล่น หรือการกระแทกอย่างรุนแรง) อาจนำไปสู่การเบี่ยงเบนได้ด้วย ดังนั้นให้ตรวจสอบความแม่นยำการทำระดับทุกครั้งก่อนเริ่มทำงาน

ในเมืองต้น ให้ตรวจสอบความแม่นยำความสูงและความแม่นยำการทำระดับของเส้นเลเซอร์แนวนอน จากนั้นจึงตรวจสอบความแม่นยำการทำระดับของเส้นเลเซอร์แนวตั้ง หากเครื่องมือวัดมีความเบี่ยงเบนมากกว่าความเบี่ยงเบนสูงสุดในขณะทำการทดสอบครั้งใดครั้งหนึ่ง กรุณาส่งเครื่องให้ศูนย์บริการหลังการขาย มีอช ซ่อมแซม

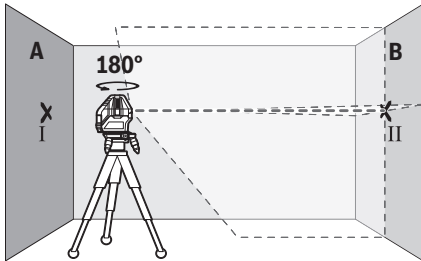
การตรวจสอบความแม่นยำความสูงของเส้นแนวนอน

สำหรับการตรวจสอบ ต้องใช้ระยะทางวัดว่างเปล่ายาว 5 ม. บนพื้นผิวที่มั่นคงระหว่างผนัง A และ B

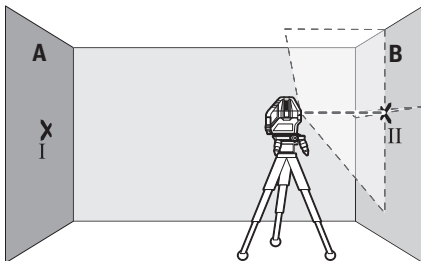
- ติดตั้งเครื่องมือวัดเข้าบนแท่นหมุนหรือขาตั้งแบบสามขา หรือวางเครื่องมือบนพื้นผิวที่ราบเรียบและมั่นคงไว้ใกล้ๆ ผนัง A เปิดสวิตช์เครื่องมือวัดในรูปแบบการทำงานด้วยการทำระดับอัตโนมัติเปิดสวิตช์การทำงานตามแนวนอน และการทำงานตามแนวตั้งใดๆ



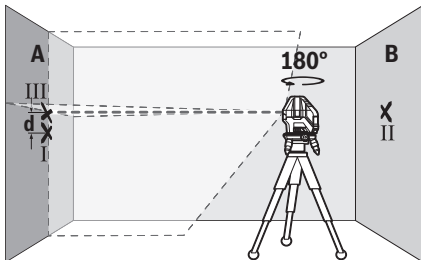
- ชี้เลเซอร์ไปยังผนังฝั่ง A และปล่อยให้เครื่องมือวัดทำการระดับ ทำเครื่องหมายตรงกลางจุดตรงที่เส้นเลเซอร์ไขว้กันบนผนัง (จุด I)



- หมุนเครื่องมือวัดไป 180° ปล่อยให้เครื่องมือวัดทำการระดับ และทำเครื่องหมายที่จุดไขว้ของเส้นเลเซอร์บนผนังฝั่งตรงข้าม B (จุด II)
- วางเครื่องมือวัดใกล้ผนัง B โดยไม่หมุนเครื่อง เปิดสวิตช์เครื่องมือวัดและปล่อยให้ทำการระดับ



- วางแนวความสูงของเครื่องมือวัด (โดยปรับที่ขาตั้งแบบสามขาหรือใช้สิ่งของรองข้างใต้ หากจำเป็น) ในลักษณะให้จุดไขว้ของเส้นเลเซอร์ตกลงบนจุดเครื่องหมายอันก่อน II บนผนัง B อย่างพอดีพอดี



- หมุนเครื่องมือวัดไป 180° โดยไม่เปลี่ยนแนวตั้ง ซึ่งชี้เลเซอร์ไปยังผนัง A ในลักษณะให้เส้นเลเซอร์แนวตั้งวิ่งผ่านจุดที่ทำ

เครื่องหมายไว้แล้ว I ปล่อยให้เครื่องมือวัดทำการระดับ และทำเครื่องหมายที่จุดไขว้ของเส้นเลเซอร์บนผนัง A (จุด III)

- ความต่าง d ของจุดเครื่องหมายทั้งสอง I และ III บนผนัง A แสดงความเบี่ยงเบนความสูงของเครื่องมือวัดในขณะนั้น

ความเบี่ยงเบนสูงสุดที่อนุญาต d_{max} คำนวณดังต่อไปนี้:

$$d_{max} = \text{ระยะห่างของผนังสองเท่า} \times 0.2 \text{ มม./ม.}$$

ตัวอย่าง: สำหรับระยะห่างของผนัง 5 ม. ต้องมีความเบี่ยงเบนสูงสุด

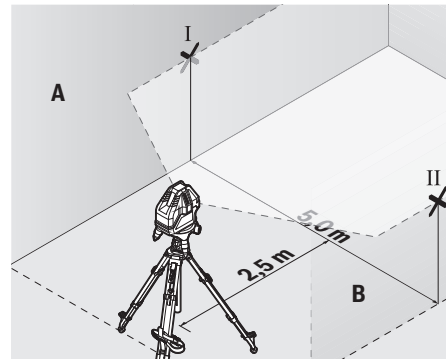
$$d_{max} = 2 \times 5 \text{ ม.} \times 0.2 \text{ มม./ม.} = 2 \text{ มม.}$$

ดังนั้น เครื่องหมายจึงต้องอยู่ห่างจากกันไม่มากกว่า 2 มม.

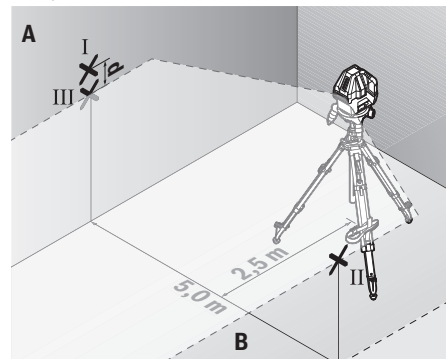
การตรวจสอบความแม่นยำการทำการระดับของเส้นแนวนอน

สำหรับการตรวจสอบ ต้องใช้พื้นที่ว่างเปล่าประมาณ 5 x 5 เมตร

- ติดตั้งเครื่องมือวัดเข้าบนแท่นหมุนหรือขาตั้งแบบสามขา หรือวางเครื่องมือบนพื้นผิวที่ราบเรียบและมั่นคงไว้ตรงกลางระหว่างผนัง A และผนัง B เปิดสวิตช์เครื่องมือวัดในรูปแบบการทำงานด้วยการทำการระดับอัตโนมัติเปิดสวิตช์การทำงานตามแนวนอน และปล่อยให้เครื่องมือวัดทำการระดับ



- ที่ระยะ 2.5 เมตรห่างจากเครื่องมือวัด ให้ทำเครื่องหมายตรงกลางเส้นเลเซอร์บนผนังทั้งสองด้าน (จุด I บนผนัง A และจุด II บนผนัง B)



- ตั้งเครื่องมือวัดห่างออกไป 5 เมตรและหมุนเครื่องไป 180° และปล่อยให้เครื่องมือวัดทำการระดับ

32 | ภาษาไทย

- วางแนวความสูงของเครื่องมือวัด (โดยปรับที่ขาตั้งแบบสามขาหรือใช้สิ่งของรองข้างใต้ หากจำเป็น) ในลักษณะให้จุดกลางของเส้นเลเซอร์ตกลงบนจุดเครื่องหมายอันก่อน II บนผนัง B อย่างพอดีพอดี
- ทำเครื่องหมายตรงกลางเส้นเลเซอร์เป็นจุด III (อยู่ในแนวตรงเหนือหรือใต้จุด I) บนผนัง A
- ความต่าง d ของจุดเครื่องหมายทั้งสอง I และ III บนผนัง A แสดงความเบี่ยงเบนของเครื่องมือวัดจากระนาบราบในขณะนั้น

ความเบี่ยงเบนสูงสุดที่อนุญาต d_{\max} คำนวณดังต่อไปนี้:

$$d_{\max} = \text{ระยะห่างของผนังสองเท่า} \times 0.2 \text{ มม./ม.}$$

ตัวอย่าง: สำหรับระยะห่างของผนัง 5 ม. ต้องมีความเบี่ยงเบนสูงสุด

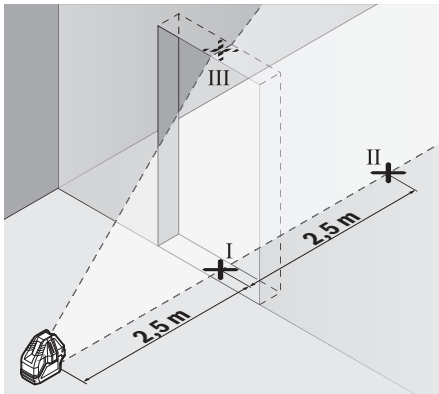
$$d_{\max} = 2 \times 5 \text{ ม.} \times 0.2 \text{ มม./ม.} = 2 \text{ มม.}$$

ดังนั้น เครื่องหมายจึงต้องอยู่ห่างจากกันไม่มากกว่า 2 มม.

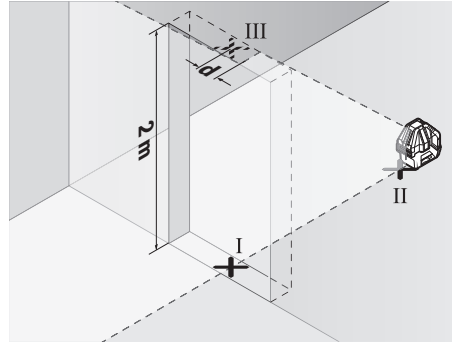
การตรวจสอบความแม่นยำการหาระดับของเส้นแนวตั้ง

สำหรับการตรวจสอบ ต้องใช้ช่องประตูที่มีพื้นที่วางแต่ละด้านห่างจากประตูอย่างน้อย 2.5 เมตร (บนพื้นผิวที่มั่นคง)

- วางเครื่องมือวัดบนพื้นผิวที่ราบเรียบและมั่นคงในระยะห่างจากช่องประตู 2.5 ม. (ไม่ติดตั้งบนแท่นหมุนหรือขาตั้งแบบสามขา) เปิดสวิตช์เครื่องมือวัดในรูปแบบการทำงานด้วยการหาระดับอัตโนมัติเปิดสวิตช์การทำงานตามแนวตั้งโดยให้ปล่อยเส้นเลเซอร์แนวตั้งทั้งหมดออกมา และเล็งเส้นเลเซอร์แนวตั้งด้านหน้าไปที่ช่องประตูปล่อยให้เครื่องมือวัดหาระดับ



- ทำเครื่องหมายตรงกลางเส้นเลเซอร์แนวตั้งที่พื้นของช่องประตู (จุด I) ที่ระยะห่างออกไป 5 เมตรเลยไปอีกด้านหนึ่งของช่องประตู (จุด II) และที่ขอบด้านบนของช่องประตู (จุด III)



- วางเครื่องมือวัดไว้อีกด้านหนึ่งของช่องประตูตรงแนวหลังจุด II ปล่อยให้เครื่องมือวัดหาระดับ และวางแนวเส้นเลเซอร์แนวตั้งในลักษณะให้จุดกลางของเส้นเลเซอร์วิ่งผ่านจุด I และ II อย่างพอดีพอดี
- ความต่าง d ระหว่างจุด III และจุดกลางของเส้นเลเซอร์ที่ขอบด้านบนของช่องประตูแสดงความเบี่ยงเบนของเครื่องมือวัดจากระนาบตั้งในขณะนั้น
- วัดความสูงของช่องประตู

ความเบี่ยงเบนสูงสุดที่อนุญาต d_{\max} คำนวณดังต่อไปนี้:

$$d_{\max} = \text{ความสูงของช่องประตูสองเท่า} \times 0.2 \text{ มม./ม.}$$

ตัวอย่าง: ความสูงของช่องประตู 2 ม. ต้องมีความเบี่ยงเบนสูงสุด

$$d_{\max} = 2 \times 2 \text{ ม.} \times 0.2 \text{ มม./ม.} = 0.8 \text{ มม.}$$

ดังนั้น เครื่องหมายจึงต้องอยู่ห่างจากกันไม่มากกว่า 0.8 มม.

ข้อแนะนำในการทำงาน

- ▶ **ทำเครื่องหมายตรงกลางจุดเลเซอร์ หรือเส้นเลเซอร์เสมอ** ขนาดของจุดเลเซอร์ และความกว้างของเส้นเลเซอร์ เปลี่ยนไปตามระยะทาง

แว่นสำหรับมองแสงเลเซอร์ (อุปกรณ์ประกอบ)

แว่นสำหรับมองแสงเลเซอร์ช่วยกรองแสงสว่างรอบด้านออกไป ทำให้ตามองเห็นแสงสีแดงของเลเซอร์ได้ชัดเจนขึ้น

- ▶ อย่าใช้แว่นสำหรับมองแสงเลเซอร์เป็นแว่นนิรภัย แว่นสำหรับมองแสงเลเซอร์ใช้สำหรับมองลำแสงเลเซอร์ให้เห็นชัดเจนขึ้น แต่ไม่ได้ช่วยป้องกันรังสีจากลำแสงเลเซอร์
- ▶ อย่าใช้แว่นสำหรับมองแสงเลเซอร์เป็นแว่นกันแดดหรือใส่ซันรยนต์ แว่นสำหรับมองแสงเลเซอร์ไม่สามารถป้องกันรังสีอัลตราไวโอเล็ต (UV) ได้อย่างสมบูรณ์ และยังทำให้มองเห็นแสงสีไม่ชัดเจน

การทำงานกับขาตั้งแบบสามขา (อุปกรณ์ประกอบ) (ดูภาพประกอบ E)

ขาตั้งแบบสามขาช่วยให้สามารถทำการวัดได้อย่างมั่นคงและปรับความสูงได้ ประกอบเครื่องมือวัดเข้าบนแท่นหมุน 12 สวมแท่นหมุนผ่านช่องประกอบของขาตั้งแบบสามขาขนาด 5/8" 9 เข้าบนเกลียวของขาตั้งแบบสามขา 19 หรือขาตั้งก่อสร้างที่มีจำหน่ายทั่วไป ยึดแท่นหมุนโดยขันสลักของขาตั้งแบบสามขาเข้าให้แน่น

การทำงานกับแผ่นวัด (อุปกรณ์ประกอบ) (รูปภาพประกอบ F – G)

แผ่นวัด 18 ช่วยให้สามารถคัดลอกเส้นเลเซอร์ไว้บนพื้นหรือคัดลอกความสูงเลเซอร์ไว้บนผนังได้

ท่านสามารถใช้จุดศูนย์และมาตราส่วนเพื่อวัดส่วนต่างของความสูงที่ต้องการและนำไปวางเทียบยังสถานที่จุดอื่น ทั้งนี้เพื่อตัดปัญหาการปรับตั้งเครื่องมือวัดไปยังความสูงที่ต้องคัดลอก ซึ่งต้องปรับตั้งอย่างเที่ยงตรง

แผ่นวัด 18 เคลือบสารสะท้อนกลับที่ช่วยให้มองเห็นลำแสงเลเซอร์ได้ชัดเจนขึ้นในระยะทางไกลๆ หรือเมื่ออยู่ท่ามกลางแสงแดดจ้า ท่านจะเห็นความสว่างที่เข้มข้นเฉพาะเมื่อมองขนานกับลำแสงเลเซอร์ไปยังแผ่นวัดเท่านั้น

ตัวอย่างการปฏิบัติงาน (รูปภาพประกอบ B–E)

ตัวอย่างการใช้งานของเครื่องมือวัด กรุณาดูในหน้าแสดงภาพ

การบำรุงรักษาและการบริการ

การบำรุงรักษาและการทำความสะอาด

เก็บรักษาและขนย้ายเครื่องมือวัดเฉพาะเมื่อบรรจุอยู่ภายในกระเป๋าสีเครื่องมือวัดที่จัดมาให้เท่านั้น

รักษาเครื่องมือวัดให้สะอาดตลอดเวลา

อย่าจุ่มเครื่องมือวัดลงในน้ำหรือของเหลวอื่นๆ

เช็ดสิ่งสกปรกออกด้วยผ้านุ่มที่เปียกหมาดๆ ห้ามใช้สารทำความสะอาดหรือสารละลายใดๆ

ทำความสะอาดพื้นผิวตรงช่องทางออกลำแสงเลเซอร์เป็นประจำ และเอาใจใส่อย่าให้ขุยผ้าติด

ในกรณีซ่อมแซม ให้ส่งเครื่องมือวัดโดยบรรจุลงในกระเป๋าสีเครื่องมือวัด 20

การบริการหลังการขายและคำแนะนำการใช้งาน

ศูนย์บริการหลังการขายของเรายินดีตอบคำถามเกี่ยวกับการบำรุงรักษาและการซ่อมแซมผลิตภัณฑ์ของท่าน รวมทั้งชิ้นส่วนอะไหล่ ภาพแยกชิ้นประกอบและข้อมูลเกี่ยวกับชิ้นส่วนอะไหล่ยังสามารถดูได้ใน:

www.bosch-pt.com

ทีมงานให้คำแนะนำการใช้งานของ บ็อช ยินดีตอบคำถามเกี่ยวกับผลิตภัณฑ์ของเราและอุปกรณ์ประกอบของผลิตภัณฑ์

เมื่อต้องการสอบถามและสั่งซื้ออะไหล่ กรุณาแจ้งหมายเลขสินค้า 10 หลักบนแผ่นป้ายรุ่นของผลิตภัณฑ์ทุกครั้ง

ในกรณีประกัน ซ่อมแซม หรือซื้อชิ้นส่วนมาเปลี่ยน กรุณาติดต่อ ผู้ขายที่ได้รับแต่งตั้งเท่านั้น

ไทย

บริษัท โรเบิร์ต บ็อช จำกัด

ชั้น 11 ตึกลิเบอร์ตี สแควร์

287 ถนนสีลม บางรัก

กรุงเทพฯ 10500

โทรศัพท์ 02 6393111

โทรสาร 02 2384783

บริษัท โรเบิร์ต บ็อช จำกัด ตู้ ปณ. 2054

กรุงเทพฯ 10501 ประเทศไทย

www.bosch.co.th

ศูนย์บริการซ่อมและฝึกอบรม บ็อช
อาคาร ลาซาลทาวเวอร์ ชั้น G ห้องเลขที่ 2

บ้านเลขที่ 10/11 หมู่ 16

ถนนศรีนครินทร์

ตำบลบางแก้ว อำเภอบางพลี

จังหวัดสมุทรปราการ 10540

ประเทศไทย

โทรศัพท์ 02 7587555

โทรสาร 02 7587525

การกำจัดขยะ

เครื่องมือวัด อุปกรณ์ประกอบ และที่บ่อ ต้องนำไปแยกประเภทวัสดุเพื่อนำกลับมาใช้ใหม่โดยไม่ทำลายสภาพแวดล้อม

อย่าทิ้งเครื่องมือวัด และแบตเตอรี่/แบตเตอรี่ชาร์จใหม่ได้ ลงในถังขยะบ้าน!

ขอสงวนสิทธิ์ในการเปลี่ยนแปลงโดยไม่ต้องแจ้งล่วงหน้า

Bahasa Indonesia

Petunjuk-Petunjuk untuk Keselamatan Kerja



Petunjuk lengkap ini harus dibaca dan diperhatikan, agar tidak terjadi bahaya dan Anda dapat bekerja dengan aman saat menggunakan alat ukur ini. Keamanan dalam alat ukur dapat terganggu, apabila

alat ukur tidak digunakan sesuai petunjuk yang disertakan. Janganlah sekali-kali menutupi atau melepaskan label tentang keselamatan kerja yang ada pada alat pengukur ini. PERHATIKAN PETUNJUK INI DENGAN BAIK DAN BERIKAN KEPADA PEMILIK ALAT PENGUKUR BERIKUTNYA.

► Peringatan - jika digunakan sarana penggunaan atau sarana penyetalan yang lain daripada yang disebutkan di sini atau dilakukan cara penggunaan yang lain, bisa terjadi penyinaran yang membahayakan.

► Alat pengukur dipasang dengan label untuk keselamatan kerja (pada gambar dari alat pengukur pada halaman bergambar ditandai dengan nomor 5).



IEC 60825-1:2014-05
<1mW, 630-650 nm

Laser Radiation
Class 2


Do not stare into beam

► Jika teks dari label tentang keselamatan kerja tidak dalam bahasa negara Anda, sebelum penggunaan alat untuk pertama kalinya, tempelkan label dalam bahasa negara Anda yang ikut dipasang di atas label tersebut.



Jangan arahkan sinar laser ke seseorang atau hewan dan jangan memandang ke sinar laser secara langsung atau melalui pantulan. Hal ini dapat menyebabkan kebutaan, kecelakaan atau kerusakan pada mata.

34 | Bahasa Indonesia

- ▶ **Jika mata Anda terkena sinar laser, tutup mata Anda dan segera jauhkan kepala Anda dari sinar laser.**
 - ▶ **Jangan buat perubahan pada arah sinar laser.**
 - ▶ **Janganlah menggunakan kaca mata untuk melihat sinar laser sebagai kaca mata pelindung.** Kaca mata ini berguna untuk melihat sinar laser dengan lebih jelas, akan tetapi tidak melindungi mata terhadap sinar laser.
 - ▶ **Janganlah memakai kaca mata untuk melihat sinar laser sebagai kaca mata hitam atau jika sedang mengendarai kendaraan.** Kaca mata untuk melihat sinar laser tidak melindungi mata terhadap sinar ultra violet dan membuat mata tidak mengenali warna dengan baik.
 - ▶ **Biarkan alat pengukur direparasi hanya oleh para teknisi ahli dan hanya dengan menggunakan suku cadang yang asli.** Dengan demikian, keselamatan kerja dengan alat pengukur ini selalu terjamin.
 - ▶ **Janganlah membiarkan anak-anak menggunakan alat pengukur dengan sinar laser ini tanpa bimbingan.** Tanpa disengaja anak-anak bisa merusakkan mata orang lain dengan sinar laser.
 - ▶ **Janganlah menggunakan alat pengukur di ruangan yang terancam bahaya terjadinya ledakan, di mana ada cairan, gas atau debu yang mudah terbakar.** Di dalam alat pengukur bisa terjadi bunga api, yang lalu menyulut debu atau uap.
-  **Janganlah mendekati alat pengukur pada alat pemacu jantung (pacemaker).** Magnet yang berada di dalam alat pengukur mengadakan medan magnet yang bisa mengganggu fungsi dari alat pemacu jantung.
- ▶ **Jauhkan alat pengukur dari media penyimpanan data yang magnetis dan alat-alat yang peka magnet.** Daya magnet bisa mengakibatkan data-data hilang untuk selamanya.

Penjelasan tentang produk dan daya

Penggunaan

Alat pengukur ini cocok untuk bantuan pekerjaan menyelaraskan garis horizontal, garis vertikal dan titik ukur.

Bagian-bagian pada gambar

Nomor-nomor dari bagian-bagian alat pengukur pada gambar sesuai dengan gambar alat pengukur pada halaman bergambar.

- 1 Lubang pengedar sinar laser
- 2 Penguncian tutup kotak baterai
- 3 Tutup kotak baterai
- 4 Nomor model
- 5 Label keselamatan kerja dengan laser
- 6 Alur pengencang alat pengukur
- 7 Tombol untuk menghidupkan dan mematikan
- 8 Waterpas dudukan tripod
- 9 Uliir untuk tripod 5/8"
- 10 Baut penyesuai ketinggian dudukan tripod
- 11 Baut penyesuai halus dudukan tripod

- 12 Landasan putar
- 13 Alur pengencang dudukan tripod
- 14 Simbol penggunaan tanpa penyetelan otomatis
- 15 Indikator daya/Peringatan baterai
- 16 Tombol Pengoperasian Vertikal
- 17 Tombol Pengoperasian Horizontal
- 18 Pelat ukur dengan kaki*
- 19 Tripod*
- 20 Tas pelindung
- 21 Kaca mata untuk melihat sinar laser*

* **Aksesori yang ada dalam gambar atau yang dijelaskan tidak termasuk dalam alat pengukur standar yang dipasang.**

Data teknis

Laser garis	GLL 3-15 X	
Nomor model	3 601 K63 M..	
Jangkauan pengukuran hingga ¹⁾		
– Garis laser	m	15
– Titik ukur	m	5
Ketelitian Pengukuran Garis khusus ²⁾	mm/m	± 0,2
Batas penyetelan otomatis khusus	°	± 3
Waktu penyetelan khusus	s	< 4
Suhu kerja	°C	- 10 ... + 45
Suhu penyimpanan	°C	- 20 ... + 70
Kelembaban udara relatif maks.	%	90
Kelas laser	2	
Jenis laser	nm mW	630–650 < 1
C ₆	1	
Soket Tripod ³⁾	"	5/8
Baterai	4 x 1,5 V LR06 (AA)	
Ketahanan baterai sekitar		
– dengan 1 garis laser	h	24
– dengan 2 garis laser	h	14
– dengan 3 garis laser	h	10
Berat sesuai dengan EPTA-Procedure 01:2014	kg	0,54
Ukuran (panjang x lebar x tinggi)		
– tanpa dudukan tripod	mm	122 x 83 x 129
– dengan dudukan tripod	mm	Ø 151 x 203
Jenis perlindungan (kecuali kotak baterai)	IP 54*	

1) Jarak pengukuran bisa berkurang, jika keadaan sekeliling tidak menguntungkan (misalnya sinar matahari yang langsung).

2) Penyetelan pabrik

3) hanya tersedia dalam kombinasi dengan dudukan tripod

* terlindung dari air dan percikan air

Anda bisa mengidentifikasi alat pengukur Anda dengan pasti, dengan nomor seri **4** pada label tipe.

Cara memasang

Memasang/mengganti baterai

Untuk menjalankan alat pengukur ini dianjurkan penggunaan baterai-baterai mangan-alkali.

Untuk membuka kompartemen penutup baterai **3** tekan pengunci **2** dan keluarkan kompartemen penutup baterai. Masukkan baterai. Pastikan baterai terpasang pada posisi kutub yang benar sesuai gambar di dalam penutup baterai. Jika lampu peringatan baterai berkedip **15**, maka Anda perlu mengganti baterai.

Gantikanlah selalu semua baterai sekaligus. Gunakanlah baterai-baterai yang sama merknya dan dengan kapasitas yang sama.

► **Keluarkanlah baterai-baterai dari alat pengukur, jika alat pengukur tidak digunakan untuk waktu yang lama.**

Jika baterai disimpan untuk waktu yang lama, baterai bisa berkorosi dan mengosong sendiri.

Menggunakan landasan putar (lihat gambar A)

Pasang alat pengukur pada perangkat rekam dudukan tripod **12**, sehingga alur pengencang **13** dudukan tripod dapat masuk diantara alur yang sesuai **6** pada bagian bawah alat pengukur. Putar alat pengukur searah jarum jam, untuk menguncinya pada dudukan tripod.

Kencangkan kaki dudukan tripod dengan baut penyesuaian ketinggian **10** keluar. Seajarkan dudukan tripod kira-kira menggunakan waterpas **8**.

Penggunaan

Cara penggunaan

- **Lindungilah alat pengukur terhadap cairan dan sinar matahari yang langsung.**
- **Jagalah supaya alat pengukur tidak terkena suhu yang luar biasa atau perubahan suhu yang luar biasa.** Misalnya, janganlah meninggalkan alat pengukur untuk waktu yang lama di dalam mobil. Jika ada perubahan suhu yang besar, biarkan alat pengukur mencapai suhu yang merata dahulu sebelum Anda mulai menggunakannya. Pada suhu yang luar biasa atau jika ada perubahan suhu yang luar biasa, ketelitian pengukuran alat pengukur bisa terganggu.
- **Jagalah supaya alat pengukur tidak terbentur atau terjatuh.** Jika alat pengukur terkena daya yang besar dari luar, sebelum melanjutkan penggunaan alat pengukur, lakukanlah selalu pemeriksaan ketelitian pengukuran (lihat „Ketelitian pengukuran“).
- **Sebelum mengangkat alat pengukur, matikan dahulu alat pengukur.** Jika alat pengukur dimatikan, unit penimbang terkunci, karena unit penimbang ini bisa rusak jika terkena goncangan.

Menghidupkan/mematikan

Untuk **mengaktifkan** alat pengukur dorong tombol on/off **7** pada posisi „**On**“ (untuk pekerjaan tanpa pelevelan otomatis) atau di posisi „**On**“ (untuk pekerjaan dengan pelevelan otomatis). Indikator daya **15** menyala dan alat pengukur segera mengedarkan garis-garis laser dari lubang-lubang pengedar **1**.

► **Janganlah mengarahkan sinar laser pada orang-orang lain atau binatang dan janganlah melihat ke sinar laser, juga tidak dari jarak jauh.**

Untuk **mematikan** alat pengukur dorong tombol on/off **7** pada posisi „**Off**“. Indikator daya **15** mati. Ketika Anda mematikan unit penimbang terkunci.

Jika suhu kerja maks. yang diizinkan sebesar 45 °C dilampaui, alat pengukur padam sendiri untuk melindungi diode laser. Setelah alat pengukur menjadi dingin, alat pengukur siap pakai dan bisa dihidupkan kembali.

Mematikan pemadaman otomatis

Alat pengukur mati secara otomatis setelah 30 menit pengoperasian. Untuk menonaktifkan pemadaman otomatis, tekan terus (alat pengukur dalam penyetalan hidup) salah satu tombol pengoperasian vertikal **16** atau tombol penggunaan horizontal **17** selama 3 detik. Jika pemadaman otomatis tidak aktif, garis laser berkedip singkat selama 3 detik.

► **Janganlah meninggalkan alat pengukur yang hidup tanpa pengawasan dan matikan segera alat pengukur setelah penggunaannya.** Sinar laser bisa merusakkan mata dari orang-orang lain.

Untuk menghidupkan pemadaman otomatis, matikan alat pengukur dan kemudian hidupkan kembali (tanpa menekan tombol).

Mode pengoperasian (lihat gambar-gambar B – D)

Pengoperasian horizontal dan vertikal dapat diaktifkan dan dimatikan secara bebas. Semua jenis pengoperasian dapat diatur dengan dan juga tanpa pelevelan otomatis.

Penggunaan mendatar

Setelah dihidupkan, alat pengukur berada pada pengoperasian horizontal dan mengirimkan garis laser horizontal dari depan.

Untuk menonaktifkan atau mengaktifkan garis laser horizontal, tekan tombol pengoperasian horizontal **17**.

Pengoperasian garis vertikal dan titik ukur

Alat pengukur memiliki dua mode pengoperasian vertikal:

- garis laser vertikal ke depan
- garis laser vertikal ke depan dan ke samping

Selain itu, dalam semua mode pengoperasian vertikal, titik ukur diproyeksikan ke bawah.

Untuk mengaktifkan/mematikan pengoperasian vertikal atau untuk mengganti mode pengoperasian vertikal, tekan tombol pengoperasian vertikal **16** berulang kali hingga mode pengoperasian yang diinginkan.

Jika alat ukur dipasang pada dudukan tripod **12** Anda dapat menyelaraskan garis laser vertikal dengan baut penyesuaian **11** tepat di titik referensi.

Penyetelan otomatis

Bekerja dengan penyetelan otomatis

Pasang alat pengukur pada alas yang datar dan keras, kencangkan pada dudukan tripod **12**.

Untuk pekerjaan dengan pelevelan otomatis, geser tombol on/off **7** ke posisi „**On**“.

Penyetelan otomatis menyeimbangkan ketidak rataan dalam batas-batas penyetelan otomatis sebesar $\pm 3^\circ$ secara otomatis. Penyetelan otomatis sudah rampung, jika garis laser-garis laser tidak bergerak lagi.

Jika pelevelan tidak mungkin dilakukan, misalnya karena permukaan posisi alat pengukur menyimpang lebih dari 3° dari posisi horizontal, garis laser akan berkedip lambat.

Letakkan alat pengukur pada posisi datar dan tunggulah sampai dilakukan pelevelan otomatis. Segera setelah alat pengukur berada di dalam area pelevelan otomatis dari $\pm 3^\circ$ garis laser akan menyala dalam durasi yang lama.

Jika selama penggunaan, alat pengukur digoncangkan atau dipindahkan, alat pengukur akan melakukan pelevelan otomatis. Periksalah posisi dari garis-garis laser horizontal atau vertikal terhadap titik-titik referensi, untuk menghindari kesalahan pengukuran.

Bekerja tanpa penyetelan otomatis

Untuk pengoperasian tanpa pelevelan otomatis, geser tombol on/off **7** ke posisi „**On**“. Jika pelevelan otomatis dimatikan, simbol penggunaan tanpa pelevelan otomatis **14** menyala merah dan garis laser berkedip perlahan.

Jika penyetelan otomatis dimatikan, alat pengukur bisa Anda pegang di tangan atau bisa ditempatkan pada alas yang miring. Garis laser-garis laser tidak lagi tegak lurus satu pada lainnya.

Ketelitian pengukuran

Pengaruh terhadap ketelitian

Pengaruh terbesar terhadap ketelitian berasal dari suhu lingkungan sekeliling. Khususnya perbedaan suhu dari bumi ke atas bisa mempengaruhi sinar laser.

Karena perbedaan dari lapisan-lapisan suhu di dekat tanah paling besar, sebaiknya alat pengukur dipasang pada tripod **19** dan ditempatkan di tengah medan kerja.

Selain pengaruh dari luar, pengaruh spesifik perangkat juga dapat menyebabkan kerusakan (seperti misalnya jatuh atau guncangan keras). Oleh karena itu, periksa ketepatan tingkat terlebih dahulu sebelum memulai proses.

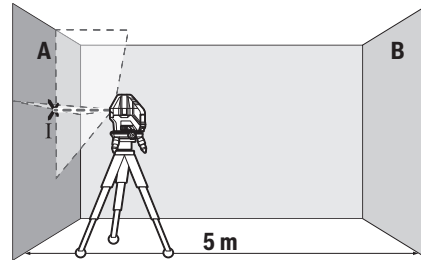
Selalu pastikan ketelitian dari garis laser horizontal lalu ketelitian garis laser vertikal.

Jika pada pemeriksaan ketelitian ternyata hasil pengukuran alat pengukur tidak tepat dan melebihi ambang batas maksimal, biarkan alat pengukur direparasikan oleh Service Center Bosch.

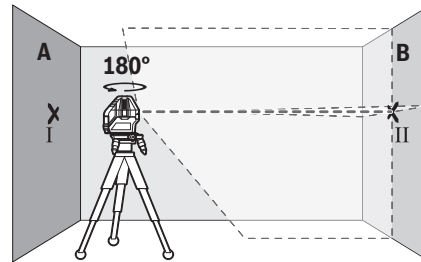
Memeriksa ketelitian pengukuran ketinggian garis mendatar

Untuk melakukan pemeriksaan ini, dibutuhkan jarak yang kosong sepanjang 5 m pada alas yang keras di antara dua dinding A dan B.

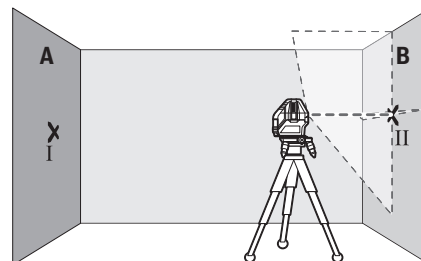
- Pasang alat pengukur di dekat dinding A pada dudukan tripod atau tripod, atau letakkan pada permukaan yang keras dan rata. Nyalakan alat pengukur dalam mode pengoperasian pelevelan otomatis. Aktifkan mode pengoperasian horizontal dan mode pengoperasian vertikal.



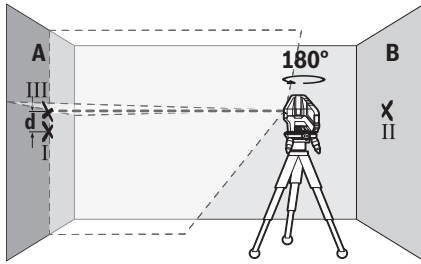
- Bidikkan laser pada dinding A yang di dekat dan biarkan alat pengukur melakukan penyetelan otomatis. Tandai tengah-tengah dari titik pada persilangan garis-garis laser pada dinding (titik I).



- Putarkan alat pengukur sebanyak 180° , biarkan alat pengukur melakukan penyetelan otomatis dan tandai titik potong dari garis-garis laser pada dinding B di seberang (titik II).
- Pindahkan alat pengukur – tanpa memutarannya – ke dekat dinding B, hidupkan alat pengukur dan biarkan alat pengukur melakukan penyetelan otomatis.



- Setelkan ketinggian alat pengukur sedemikian (dengan menggunakan tripod atau jika perlu dengan ganjalan), sehingga titik potong dari garis-garis laser mengena persis pada titik II pada dinding B yang ditandakan sebelumnya.



- Putarkan alat pengukur sebanyak 180°, tanpa merubah ketinggiannya. Bidikkannya sedemikian pada dinding A, sehingga garis laser tegak lurus melampaui titik I yang telah ditandakan sebelumnya. Biarkan alat pengukur melakukan penyetelan otomatis dan tandai titik potong dari garis-garis laser pada dinding A (titik III).
- Selisih **d** di antara kedua titik-titik I dan III yang ditandakan pada dinding A adalah selisih ketinggian yang sebenarnya dari alat pengukur.

Deviasi maksimal d_{\max} yang diizinkan dikalkulasikan sebagai berikut:

d_{\max} = dua kali jarak dinding x 0,2 mm/m

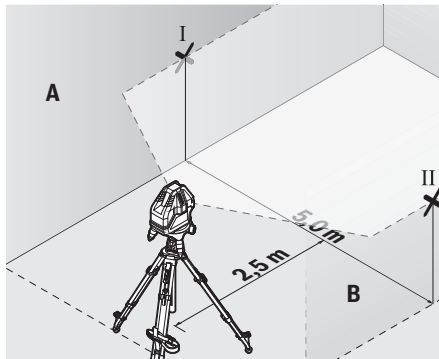
Contoh: Jika jarak dinding 5 m, deviasi maksimal yang diizinkan

$d_{\max} = 2 \times 5 \text{ m} \times 0,2 \text{ mm/m} = 2 \text{ mm}$. Tanda itu mungkin tidak lebih dari 2 mm terpisah.

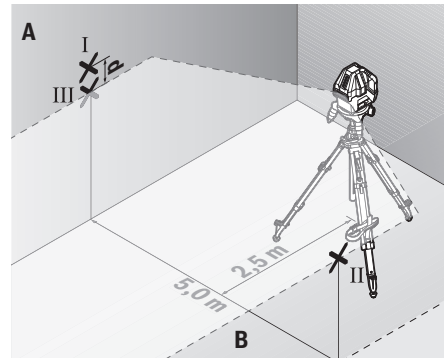
Memeriksa ketelitian pengukuran garis mendatar

Untuk melakukan pemeriksaan ini, dibutuhkan bidang yang kosong sebesar kira-kira 5 x 5 m.

- Pasang alat pengukur di bagian tengah antara dinding A dan B di atas dudukan tripod atau tripod, atau pasang dengan kencang di atas lantai yang datar. Nyalakan alat pengukur dalam mode pengoperasian pelevelan otomatis. Aktifkan pengoperasian horizontal dan biarkan alat pengukur tersebut rata secara otomatis.



- Pada jarak 2,5 m dari alat pengukur, tandai tengah-tengah dari garis laser pada kedua dinding (titik I pada dinding A dan titik II pada dinding B).



- Putarkan alat pengukur sebanyak 180° dan tempatkannya pada jarak 5 m dan biarkan alat pengukur melakukan penyetelan otomatis.
- Setelkan ketinggian alat pengukur sedemikian (dengan menggunakan tripod atau jika perlu dengan ganjalan), sehingga tengah-tengah dari garis laser mengenai persis pada titik II pada dinding B yang ditandakan sebelumnya.
- Pada dinding A, tandai tengah-tengah dari garis laser sebagai titik III (tegak lurus di atas atau di bawah titik I).
- Selisih **d** di antara kedua titik-titik I dan III yang ditandakan pada dinding A adalah selisih yang sebenarnya dari alat pengukur terhadap garis mendatar.

Deviasi maksimal d_{\max} yang diizinkan dikalkulasikan sebagai berikut:

d_{\max} = dua kali jarak dinding x 0,2 mm/m

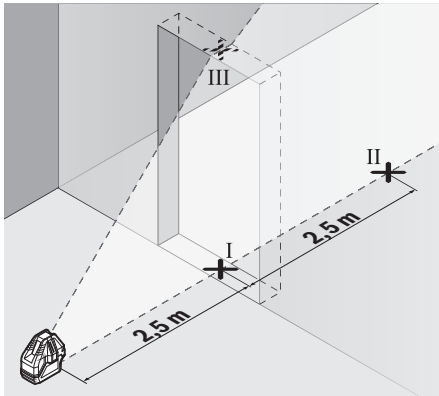
Contoh: Jika jarak dinding 5 m, deviasi maksimal yang diizinkan $d_{\max} = 2 \times 5 \text{ m} \times 0,2 \text{ mm/m} = 2 \text{ mm}$. Tanda itu mungkin tidak lebih dari 2 mm terpisah.

38 | Bahasa Indonesia

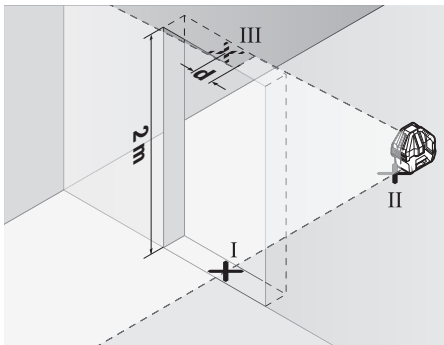
Memeriksa ketelitian pengukuran garis-garis tegak lurus

Untuk melakukan pemeriksaan ini, dibutuhkan lubang tempat pintu di dinding yang terbuka, dan pada setiap sisi dari pintu (pada alas yang keras) paling sedikit harus ada jarak 2,5 m.

- Pasang alat pengukur pada jarak 2,5 m dari bukaan pintu di atas permukaan tanah yang keras dan rata (tidak di atas dudukan tripod atau tripod). Nyalakan alat pengukur dalam mode pengoperasian pelevelan otomatis. Nyalakan pengoperasian vertikal dan selaraskan garis laser vertikal depan di atas bukaan pintu. Biarkan alat pengukur tersebut rata secara otomatis.



- Buatlah tanda pada tengah-tengah dari garis laser tegak lurus di lantai di lubang pintu (titik I), pada jarak 5 m di sisi lainnya dari lubang pintu (titik II) serta pada pinggir atas dari lubang pintu (titik III).



- Pasangkan alat pengukur pada sisi lainnya dari lubang pintu yang kosong persis di belakang titik II. Biarkan alat pengukur melakukan penyeteraan otomatis dan bidikkan garis laser tegak lurus sedemikian, sehingga tengah-tengahnya persis melalui titik-titik I dan II.
- Selisih d di antara titik III dan tengah-tengah dari garis laser pada pinggir atas dari lubang pintu adalah ketidaktepatan yang sebenarnya dari alat pengukur terhadap garis tegak lurus.
- Ukurkan ketinggian dari lubang pintu.

Deviasi maksimal d_{\max} yang diizinkan dikalkulasikan sebagai berikut:

d_{\max} = dua kali tinggi bukaan pintu x 0,2 mm/m

Contoh: Jika ketinggian bukaan pintu 2 m deviasi maksimal yang diizinkan

$d_{\max} = 2 \times 2 \text{ m} \times 0,2 \text{ mm/m} = 0,8 \text{ mm}$. Tanda itu tidak mungkin terpisah lebih dari 0,8 mm.

Petunjuk-petunjuk untuk pemakaian

- **Berilah selalu tanda hanya pada tengah-tengah dari titik laser atau garis laser.** Besarnya titik laser atau lebarnya garis laser berubah sesuai dengan perubahan jarak.

Kaca mata untuk melihat laser (aksesori)

Kaca mata untuk melihat laser menyaring cahaya lingkungan. Dengan demikian sinar merah dari laser bagi mata kita tampak lebih cerah.

- **Janganlah menggunakan kaca mata untuk melihat sinar laser sebagai kaca mata pelindung.** Kaca mata ini berguna untuk melihat sinar laser dengan lebih jelas, akan tetapi tidak melindungi mata terhadap sinar laser.

- **Janganlah memakai kaca mata untuk melihat sinar laser sebagai kaca mata hitam atau jika sedang mengendarai kendaraan.** Kaca mata untuk melihat sinar laser tidak melindungi mata terhadap sinar ultra violet dan membuat mata tidak mengenali warna dengan baik.

Mengukur dengan tripod (aksesori) (lihat gambar E)

Tripod memberi posisi pengukuran yang stabil dan dapat disesuaikan tingginya. Pasang alat pengukur di atas dudukan tripod **12**. Letakan dudukan tripod dengan soket tripod 5/8" **9** ke atas ulir tripod **19** atau tripod yang standar pada umumnya. Kencangkan dudukan tripod dengan baut pengencang dari tripod.

Bekerja dengan pelat ukur (aksesori) (lihat gambar-gambar F - G)

Dengan bantuan pelat ukur **18** Anda bisa memindahkan tanda-tanda laser pada lantai atau ketinggian laser pada dinding.

Dengan medan nol dan skala Anda bisa mengukur selisih terhadap ketinggian yang dikehendaki dan memindahkannya ke tempat lain. Dengan demikian Anda tidak harus menyeterkan ketinggian yang dipindahkan secara seksama pada alat pengukur.

Pelat ukur **18** dilapisi dengan lapisan yang memantulkan, yang membuat sinar laser pada jarak yang jauh atau jika matahari bersinar terang terlihat lebih jelas. Kecerahan ini hanya terlihat, jika Anda melihat pada pelat ukur sejajar dengan sinar laser.

Contoh untuk penggunaan (lihat gambar B - E)

Contoh untuk berbagai penggunaan dari alat pengukur bisa dilihat pada halaman-halaman bergambar.

Rawatan dan servis

Rawatan dan kebersihan

Simpankan dan transportasikan alat pengukur hanya di dalam tas pelindung yang ikut dipasok.

Jagalah supaya alat pengukur selalu bersih.

Janganlah memasukkan alat pengukur ke dalam air atau cairan lainnya.

Jika alat kotor, bersihkan dengan lap yang lembab dan lunak. Janganlah menggunakan deterjen atau tiner.

Bersihkanlah secara berkala, terutama permukaan pada lubang pengedar sinar laser, dan perhatikanlah apakah ada bulu yang mencemarnya.

Jika alat pengukur harus direparasikan, kirimkannya di dalam tas pelindung **20**.

Layanan pasca beli dan konseling terkait pengoperasian

Layanan pasca beli Bosch menjawab semua pertanyaan Anda terkait reparasi dan maintenance serta suku cadang produk ini. Gambar tiga dimensi dan informasi terkait suku cadang dapat Anda lihat di:

www.bosch-pt.com

Tim konseling pengoperasian dari Bosch dengan senang hati membantu Anda, jika Anda hendak bertanya tentang produk-produk kami dan aksesorisnya.

Jika Anda hendak menanyakan sesuatu atau memesan suku cadang, sebutkan selalu nomor model yang terdiri dari 10 angka dan tercantum pada label tipe produk.

Indonesia

PT Robert Bosch
Palma Tower 10th Floor
Jl. RA Kartini II-S Kaveling 6 Sek II
Pondok Pinang, Kebayoran Lama
Jakarta Selatan 12310
Indonesia
Tel.: (021) 3005 5800
Fax: (021) 3005 5801
E-Mail: boschpowertools@id.bosch.com
www.bosch-pt.co.id

Cara membuang

Alat pengukur, aksesoris dan kemasan sebaiknya didaur ulangkan sesuai dengan upaya untuk melindungi lingkungan hidup.

Janganlah membuang alat pengukur dan baterai isi ulang/baterai ke dalam sampah rumah tangga!

Perubahan dapat terjadi tanpa pemberitahuan sebelumnya.

Tiếng Việt

Các Nguyên Tắc An Toàn



Phải đọc và chú ý mọi hướng dẫn để đảm bảo an toàn và không bị nguy hiểm khi làm việc với dụng cụ đo. Khi sử dụng dụng cụ đo không phù hợp với các hướng dẫn ở trên, các thiết bị bảo vệ được tích hợp trong dụng cụ đo có thể bị suy giảm. Không bao giờ được làm cho các dấu hiệu cảnh báo trên dụng cụ đo không thể đọc được. HÃY BẢO QUẢN CẨN THẬN CÁC HƯỚNG DẪN NÀY VÀ ĐƯA KÈM THEO KHI BẠN CHUYỂN GIAO DỤNG CỤ ĐO.

- ▶ **Lưu ý – Việc sử dụng để hoạt động khác với mục đích thiết kế hay thiết bị điều chỉnh hoặc ứng dụng với qui trình khác với những gì đề cập ở đây đều có thể dẫn đến phơi nhiễm bức xạ nguy hiểm.**
- ▶ **Dụng cụ đo được cung cấp kèm theo một nhãn cảnh báo (được đánh số 5 trong phần mô tả chi tiết của dụng cụ đo trên trang hình ảnh).**



IEC 60825-1:2014-05
<1mW, 630-650 nm

Laser Radiation
Class 2
Do not stare into beam

- ▶ **Nếu bản văn của nhãn cảnh báo không phải là ngôn ngữ của nước bạn, hãy dán nhãn cảnh báo được cung cấp bằng ngôn ngữ của nước bạn chống lên trước khi vận hành cho lần đầu tiên.**



Không để tia la-ze hướng về phía người hoặc động vật và không nhìn vào tia la-ze trực tiếp hoặc qua phản chiếu. Như vậy, bạn có thể làm lóa mắt người khác, dẫn đến tai nạn hoặc gây hỏng mắt.

- ▶ **Nếu tia la-ze hướng vào mắt, bạn phải nhắm mắt lại và ngay lập tức xoay đầu để tránh tia-la-ze.**
- ▶ **Không thực hiện bất cứ thay đổi nào tại thiết bị la-ze.**
- ▶ **Không được sử dụng kính nhìn laze như là kính bảo hộ lao động. Kính nhìn laze được sử dụng để cải thiện sự quan sát luồng laze, nhưng chúng không bảo vệ chống lại tia bức xạ laze.**
- ▶ **Không được sử dụng kính nhìn laze như kính mát hay dùng trong giao thông. Kính nhìn laze không đủ khả năng bảo vệ hoàn toàn UV (tia cực tím) và làm giảm sự cảm nhận màu sắc.**
- ▶ **Chỉ giao dụng cụ đo cho chuyên viên có trình độ chuyên môn và sử dụng phụ tùng chính hãng sửa chữa. Điều này đảm bảo cho sự an toàn của dụng cụ đo được giữ nguyên.**

40 | Tiếng Việt

► **Không cho phép trẻ em sử dụng dụng cụ đo laze mà thiếu sự giám sát.** Chúng có thể vô tình làm người khác mù mắt.

► **Không được vận hành dụng cụ đo ở môi trường dễ gây cháy nổ, ví dụ như ở gần nơi có loại chất lỏng dễ cháy, khí gas hay rác.** Các tia lửa có thể hình thành trong dụng cụ đo và có khả năng làm rác cháy hay ngùn khói.



Giữ dụng cụ đo tránh xa máy điều hòa nhịp tim. Nam châm bên trong dụng cụ đo sản sinh ra một trường có thể làm hư hỏng chức năng của máy điều hòa nhịp tim.

► **Cất giữ dụng cụ đo tránh xa các thiết bị ghi và chứa dữ liệu từ tính hoặc các thiết bị nhạy cảm với từ tính.** Sự tác động của nam châm có thể làm cho dữ liệu bị xóa, không thể phục hồi lại được.

Mô Tả Sản Phẩm và Đặc Tính Kỹ Thuật

Dành Sử Dụng

Máy đo được dùng để cân bằng với các đường ngang, đường thẳng đứng cũng như điểm chuẩn.

Biểu trưng của sản phẩm

Sự đánh số các biểu trưng của sản phẩm là để tham khảo hình minh họa dụng cụ đo trên trang hình ảnh.

- 1 Cửa chiếu luồng laze
- 2 Lấy cài nắp đậy pin
- 3 Nắp đậy pin
- 4 Số mã dòng
- 5 Nhãn cảnh báo laze
- 6 Rãnh cố định của máy đo
- 7 Công tắc Tắt/Mở
- 8 Ống nivô của đế xoay
- 9 Phần gắn giá đỡ 5/8"
- 10 Vít điều chỉnh cao độ của đế xoay
- 11 Vít tinh chỉnh của đế xoay
- 12 Đế xoay
- 13 Rãnh cố định của đế xoay
- 14 Hoạt động không có đèn báo lấy cốt thủy chuẩn tự động
- 15 Chỉ số công suất/Cảnh báo pin
- 16 Nút vận hành dọc
- 17 Nút vận hành ngang
- 18 Thước băng có đế*
- 19 Giá ba chân*
- 20 Túi xách bảo vệ
- 21 Kính nhìn laze*

* Các phụ tùng được minh họa hay mô tả không nằm trong tiêu chuẩn hàng hóa được giao kèm.

Thông số kỹ thuật

Máy laze đường vạch	GLL 3-15 X	
Mã số máy	3 601 K63 M..	
Phạm vi làm việc ¹⁾		
- tia laze	m	15
- điểm chuẩn	m	5
Độ chính xác cân bằng tia laze quy chuẩn ²⁾	mm/m	±0,2
Phạm vi tự lấy cốt thủy chuẩn (tiêu biểu)	°	±3
Thời gian lấy cốt thủy chuẩn, tiêu biểu	s	<4
Nhiệt độ hoạt động	°C	-10 ... +45
Nhiệt độ lưu kho	°C	-20 ... +70
Độ ẩm không khí tương đối, tối đa	%	90
Cấp độ laze	2	
Loại laze	nm	630-650
	mW	<1
C ₆	1	
Điểm nhận giá đỡ 3 chân ³⁾	"	5/8
Pin	4 x 1,5 V LR06 (AA)	
Thời gian vận hành khoảng		
- với 1 tia laze	h	24
- với 2 tia laze	h	14
- với 3 tia laze	h	10
Trọng lượng theo Qui trình EPTA-Procedure 01:2014 (chuẩn EPTA 01:2014)	kg	0,54
Khối (chiều dài x chiều rộng x chiều cao)		
- không đế xoay	mm	122 x 83 x 129
- có đế xoay	mm	Ø 151 x 203
Mức độ bảo vệ (không kể khoang chứa pin)	IP 54*	

1) Tầm hoạt động có thể bị giảm do điều kiện môi trường xung quanh không thuận lợi (vd. ánh sáng mặt trời chiếu trực tiếp).

2) Giao tại nhà máy

3) chỉ sẵn có trong kết hợp với đế xoay

* bảo vệ khỏi bụi và nhiễm nước

Dụng cụ đo có thể nhận biết rõ ràng bằng chuỗi số dòng 4 trên nhãn ghi loại máy.

Sự lắp vào

Lắp/Thay Pin

Khuyến nghị nên sử dụng pin kiềm-mangan cho dụng cụ đo.

Để mở nắp đựng pin **3** bạn hãy nhấn lên khóa **2** và tháo nắp đựng pin ra. Lắp pin vào. Xin hãy lưu ý lắp tương ứng đúng cực pin như được thể hiện mặt trong ngăn chứa pin.

Nếu cảnh báo pin nhấp nháy **15**, thì bạn phải thay pin.

Luôn luôn thay tất cả pin cùng một lần. Chỉ sử dụng pin cùng một hiệu và có cùng một điện dung.

▶ **Tháo pin ra khỏi dụng cụ đo khi không sử dụng trong một thời gian không xác định.** Khi cất lưu kho trong một thời gian không xác định, pin có thể bị ăn mòn và tự phóng hết điện.

Sử dụng để xoay (xem hình A)

Bạn hãy đặt máy đo vào kẹp đỡ thiết bị của đế xoay **12**, để các rãnh cố định **13** của đế xoay khớp giữa các rãnh tương ứng **6** ở dưới đáy của máy đo. Bạn hãy xoay máy đo theo chiều kim đồng hồ để khóa dụng cụ vào đế xoay.

Tháo chân của đế xoay ra với vít điều chỉnh chiều cao **10**. Điều chỉnh sơ bộ để xoay bằng ống nivô **8**.

Vận Hành

Vận hành Ban đầu

- ▶ **Bảo vệ dụng cụ đo tránh khỏi ẩm ướt và không để bức xạ mặt trời chiếu trực tiếp vào.**
- ▶ **Không được để dụng cụ đo ra nơi có nhiệt độ cao hay thấp cực độ hay nhiệt độ thay đổi thái quá.** Như ví dụ sau, không được để dụng cụ đo trong xe ô tô trong một thời gian dài hơn mức bình thường. Trong trường hợp có sự thay đổi nhiệt độ thái quá, hãy để cho dụng cụ đo điều chỉnh theo nhiệt độ chung quanh trước khi đưa vào sử dụng. Trong trường hợp ở trạng thái nhiệt độ cực độ hay nhiệt độ thay đổi thái quá, sự chính xác của dụng cụ đo có thể bị hư hỏng.
- ▶ **Tránh không để dụng cụ đo bị va đập mạnh hay rơi xuống.** Sau khi va ngoài bị va đập mạnh, luôn luôn cần phải thực hiện việc kiểm tra lại độ chính xác trước khi tiếp tục công việc (xem “Cốt Thủy Chuẩn Chính Xác”).
- ▶ **Tắt dụng cụ đo trong lúc vận chuyển.** Khi tắt máy, bộ phận lấy cốt thủy chuẩn được khóa lại, bộ phận này có thể bị hư hỏng trong trường hợp bị di chuyển cực mạnh.

Tắt và Mở

Để **bật** máy đo, hãy trượt nút bật/tắt **7** vào vị trí “**On**” (để làm việc không có tự động cân bằng) hoặc vào vị trí “**On**” (để làm việc với tự động đo mức). Chỉ số công suất **15** sáng lên và máy đo ngay lập tức phát một tia laser từ lỗ ra phía trước **1**.

▶ **Không được chiếu luồng laser vào con người hay động vật và không được tự chính bạn nhìn vào luồng laser, ngay cả khi từ một khoảng cách lớn.**

Để **tắt** máy đo hãy trượt nút bật/tắt **7** ở vị trí “**Off**”. Chỉ số công suất **15** tắt. Khi tắt, trạm con lắc được khóa.

Khi vượt quá nhiệt độ hoạt động tối đa cho phép ở mức 45°C , dụng cụ đo tự tắt để bảo vệ đi-ốt laser. Sau khi nguội trở lại, dụng cụ đo ở trạng thái sẵn sàng hoạt động và ta có thể mở máy để hoạt động trở lại.

Khử Hoạt Chức Năng Tắt Tự Động

Máy đo tự tắt sau 30 phút thời gian vận hành. Để không kích hoạt tắt tự động, bạn hãy nhấn giữ 3 giây nút vận hành dọc **16** hoặc nút vận hành ngang **17** khi bật dụng cụ đo. Nếu tự động tắt khử kích hoạt, tia laser sẽ nhấp nháy nhanh chóng sau 3 giây.

▶ **Không được mở dụng cụ đo rồi để mặt đó, và tắt dụng cụ đo ngay sau khi sử dụng xong.**

Những người khác có thể bị luồng laser làm mù mắt.

Để kích hoạt tắt tự động, bạn hãy tắt máy đo và bật lên lần nữa (không cần nhấn nút).

Chế độ hoạt động (xem hình B-D)

Vận hành ngang và dọc có thể được tắt và bật mà không phụ thuộc với nhau. Tất cả các chế độ vận hành đều có thể hoạt động với chức năng tự động cân bằng hoặc không có chức năng này.

Vận hành theo phương thức ngang

Sau khi bật, máy đo ở trạng thái vận hành ngang và phát ra một tia laser nằm ngang về phía trước.

Để tắt hoặc bật tia laser nằm ngang, bạn nhấn nút vận hành ngang **17**.

Vận hành dọc và điểm chuẩn

Máy đo có hai chế độ vận hành dọc:

- tia laser thẳng đứng về phía trước
- tia laser thẳng đứng về phía trước và về phía mặt bên

Thêm vào đó, một điểm chuẩn được chiếu xuống dưới trong tất cả các chế độ vận hành dọc.

Để bật/tắt vận hành dọc hoặc để thay đổi chế độ vận hành dọc, bạn nhấn nút vận hành dọc **16** liên tục, cho tới khi đạt chế độ vận hành mong muốn.

Nếu máy đo được lắp trên đế xoay **12**, bạn có thể chỉnh hướng các tia laser thẳng đứng bằng vít tinh chỉnh **11** một cách chính xác tại các điểm tham chiếu.

42 | Tiếng Việt

Lấy Cốt Thủy Chuẩn Tự Động**Vận Hành với Chức Năng Lấy Cốt Thủy Chuẩn Tự Động**

Bạn hãy đặt máy đo lên một mặt nền cố định, nằm ngang hoặc cố định máy trên đế xoay **12**.

Bạn hãy trượt nút bật/tắt **7** vào vị trí “**On**” để làm việc với tự động cân bằng.

Sau khi mở máy, chức năng lấy cốt thủy chuẩn sẽ tự động làm cân bằng sự chênh lệch trong phạm vi tự lấy cốt thủy chuẩn ở mức $\pm 3^\circ$. Sự lấy cốt thủy chuẩn hoàn tất ngay sau khi tia laze không còn di chuyển nữa.

Nếu việc cân bằng tự động là không thể, ví dụ vì mặt phẳng đế dụng cụ đo lệch theo phương nằm ngang nhiều hơn 3° , các tia laze sẽ bắt đầu nháy nhanh.

Bạn hãy đặt máy đo nằm ngang và chờ tự cân bằng. Ngay khi máy đo ở bên trong phạm vi tự cân bằng của $\pm 3^\circ$, các tia laze phát sáng ổn định.

Khi có rung động hoặc thay đổi vị trí trong lúc vận hành, máy đo sẽ tự động cân bằng trở lại. Bạn hãy kiểm tra vị trí tia laze liên quan tới các điểm tham chiếu sau khi cân bằng lại, để tránh lỗi.

Vận Hành Không Có Chức Năng Lấy Cốt Thủy Chuẩn Tự Động

Bạn hãy trượt nút bật/tắt **7** vào vị trí “**Off**” để làm việc mà không có tự động cân bằng. Khi tự động cân bằng bị tắt, chỉ số **14** sáng đỏ và tia laze nháy chậm liên tục.

Khi chức năng lấy cốt thủy chuẩn tự động được tắt, bạn có thể tự do cầm nắm trong tay hoặc đặt dụng cụ xuống lên trên một bề mặt nghiêng. Các đường laze không còn cần thiết hoạt động theo chiều thẳng đứng đối xứng nhau nữa.

Cốt Thủy Chuẩn Chính Xác**Những Ảnh Hưởng Đến độ Chính xác**

Nhiệt độ chung quanh có ảnh hưởng lớn nhất. Đặt biệt là sự thay đổi nhiệt độ xảy ra từ mặt đất tỏa lên có thể làm lệch luồng laze.

Do sự dao động nhiệt lớn nhất là ở gần mặt đất, nếu có thể, nên gắn dụng cụ đo lên giá đỡ **19** và đặt ở chính giữa khu vực làm việc.

Bên cạnh các tác động ngoài, các tác động ảnh hưởng trực tiếp tới thiết bị (như rơi hoặc va đập mạnh) có thể gây ra các sai lệch. Do đó, hãy kiểm tra mức độ chính xác trước khi bắt đầu công việc.

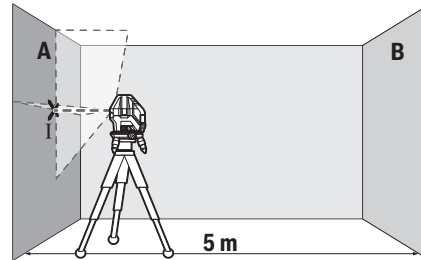
Trước tiên bạn hãy kiểm tra tương ứng chiều cao cũng như độ chính xác cân bằng của tia laze nằm ngang, sau đó là của tia nằm dọc.

Nếu giá như dụng cụ đo lệch hướng vượt mức tối đa tại một trong những lần kiểm tra, xin vui lòng mang đến trạm phục vụ hàng đã bán của Bosch để được sửa chữa.

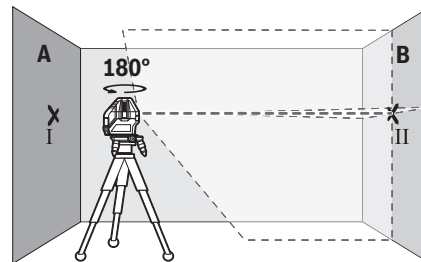
Kiểm Tra Độ Chính Xác Chiều Cao của Mực Ngang

Đối với kiểm tra loại này, khoảng cách đo tự do khoảng 5 m giữa tường A và B cần phải đặt trên một bề mặt ổn định.

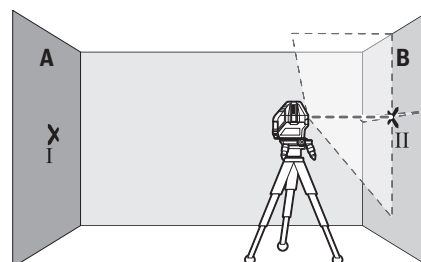
- Lắp đặt dụng cụ đo trên đế xoay hoặc giá 3 chân cạnh bức tường A, hoặc đặt trên một nền đất bằng phẳng, chắc chắn. Bạn hãy bật máy đo vận hành với tự động cân bằng. Hãy bật vận hành ngang và một chế độ vận hành dọc bất kỳ.



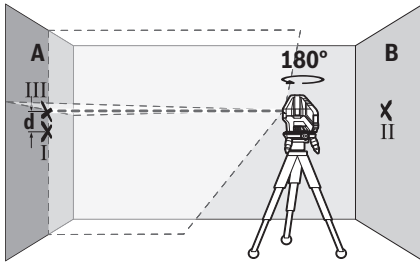
- Hướng thẳng luồng laze ngang vào tường A cạnh bên và để dụng cụ đo lấy mực. Đánh dấu tâm điểm nơi các đường laze giao nhau trên tường (điểm I).



- Xoay dụng cụ đo vòng quanh 180° , cho dụng cụ đo lấy mực và đánh dấu điểm giao nhau của các đường laze nằm trên tường đối diện B (điểm II).
- Đưa sát vào tường B mà không phải xoay dụng cụ đo. Cho dụng cụ đo hoạt động và chiếu vào.



- So chỉnh chiều cao của dụng cụ đo (nếu cần, sử dụng giá đỡ hay dùng vật kê bên dưới) sao cho điểm giao nhau của các đường laze chiếu chính xác vào tiêu điểm II đã được đánh dấu trước đó trên tường B.



- Không làm thay đổi chiều cao, xoay dụng cụ đo vòng quanh 180°. Rồi thẳng vào tường A cách sao cho đường lazer thẳng đứng đi qua điểm I đã được đánh dấu trước đó. Cho dụng cụ đo lấy mực và đánh dấu điểm giao nhau của các đường lazer nằm trên tường A (điểm III).
- Sự sai biệt d của hai tiêu điểm được đánh dấu I và III trên tường A phản ánh chiều cao thực tế bị lệch của dụng cụ đo.

Độ lệch tối đa cho phép d_{\max} được tính như sau:

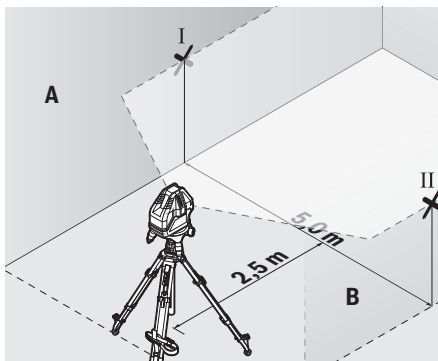
$$d_{\max} = \text{khoảng cách gấp đôi của bức tường} \times 0,2 \text{ mm/m}$$

Ví dụ: Với khoảng cách bức tường 5 m, độ lệch tối đa được phép là $d_{\max} = 2 \times 5 \text{ m} \times 0,2 \text{ mm/m} = 2 \text{ mm}$. Cho nên, các đánh dấu được cho phép cách 2 mm cao nhất.

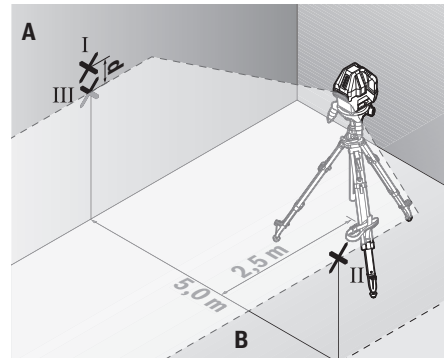
Kiểm Tra Cốt Thủy Chuẩn Chính xác của Mực Ngang

Đối với kiểm tra loại này, cần có bề mặt trống khoảng 5 x 5 m.

- Hãy lắp máy đo ở điểm giữa hai bức tường A và B trên đế xoay hoặc trên giá ba chân hoặc để nó trên nền bằng phẳng, vững chắc. Bạn hãy bật máy đo vận hành với tự động cân bằng. Bật vận hành ngang và để máy đo cân bằng.



- Tại khoảng cách 2,5 m tính từ dụng cụ đo, đánh dấu tâm điểm của đường lazer trên cả hai tường (điểm I trên tường A và điểm II trên tường B).



- Dàn đặt dụng cụ đo cách 5 m và xoay 180° và cho dụng cụ đo lấy mực.
- Chính đặt chiều cao của dụng cụ đo (nếu cần, sử dụng giá đỡ hay dùng vật kê bên dưới) sao cho tâm điểm của đường lazer chiếu chính xác vào tiêu điểm II đã được đánh dấu trước đó trên tường B.
- Đánh dấu tâm điểm của đường lazer như điểm III (nằm thẳng trên hay dưới điểm I) trên tường A.
- Sự sai biệt d của cả hai điểm được đánh dấu I và III trên tường A phản ánh chiều cao thực tế bị lệch của dụng cụ đo so với bề mặt phẳng.

Độ lệch tối đa cho phép d_{\max} được tính như sau:

$$d_{\max} = \text{khoảng cách gấp đôi của bức tường} \times 0,2 \text{ mm/m}$$

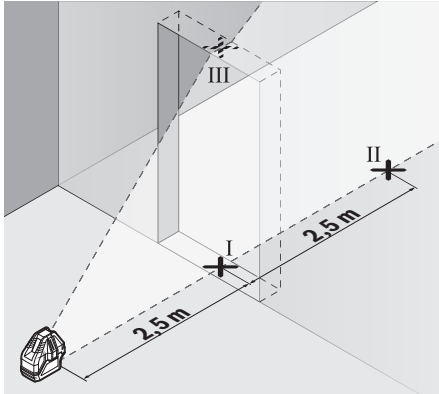
Ví dụ: Với khoảng cách bức tường 5 m, độ lệch tối đa được phép là $d_{\max} = 2 \times 5 \text{ m} \times 0,2 \text{ mm/m} = 2 \text{ mm}$. Cho nên, các đánh dấu được cho phép cách 2 mm cao nhất.

44 | Tiếng Việt

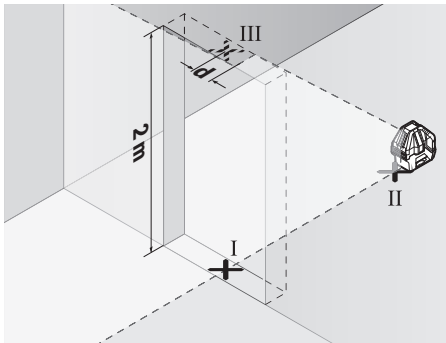
Kiểm Tra Cốt Thủy Chuẩn Chính Xác của các Đường Laze Thẳng Đứng

Đối với kiểm tra loại này, khung cửa trống cần mỗi bên cửa rộng ít nhất là 2,5 m (trên một bề mặt ổn định).

- Dụng cụ đo cách cửa mở 2,5 m trên nền bằng phẳng, vững chắc (không dựng trên đế xoay hay giá ba chân). Bạn hãy bật máy đo vận hành với tự động cân bằng. Bật vận hành dọc với các tia laser thẳng đứng và chỉnh hướng tia laser đó về trước vào cửa mở. Hãy để máy đo cân bằng.



- Đánh dấu tâm điểm của đường laze thẳng đứng ngay tại sàn nhà dưới khung cửa trống (điểm I), và qua phía bên kia khung cửa trống với khoảng cách là 5 m (điểm II) và ngay tại cạnh trên của khung cửa trống (điểm III).



- Đặt dụng cụ đo phía bên kia khung cửa trống ngay đằng sau điểm II. Cho dụng cụ đo lấy mực và cân chỉnh đường laze thẳng đứng đúng cách sao cho tâm điểm của nó đi chính xác qua các điểm I và II.
- Sự sai biệt d giữa điểm III và tâm điểm của đường laze tại cạnh trên của khung cửa trống phản ánh sự lệch hướng thực tế của dụng cụ đo so với mặt phẳng đứng.
- Đo chiều cao của khung cửa trống.

Độ lệch tối đa cho phép d_{max} được tính như sau:

d_{max} = chiều cao gấp đôi của cửa mở x 0,2 mm/m

Ví dụ: Với chiều cao cửa mở 2 m, độ lệch tối đa được phép là $d_{max} = 2 \times 2 \text{ m} \times 0,2 \text{ mm/m} = 0,8 \text{ mm}$.

Cho nên, các đánh dấu được cho phép cách 0,8 mm cao nhất.

Hướng Dẫn Sử Dụng

- ▶ **Để đánh dấu, chỉ luôn luôn sử dụng tâm điểm của tiêu điểm laze hay tia laze.** Kích thước của tiêu điểm laze cũng như bề rộng của tia laze thay đổi theo khoảng cách.

Kính nhìn laze (phụ tùng)

Kính nhìn laze bỏ ánh sáng xung quanh. Cách này làm cho mắt nhìn thấy ánh sáng đỏ của tia laze sáng hơn.

- ▶ **Không được sử dụng kính nhìn laze như là kính bảo hộ lao động.** Kính nhìn laze được sử dụng để cải thiện sự quan sát luồng laze, nhưng chúng không bảo vệ chống lại tia bức xạ laze.

- ▶ **Không được sử dụng kính nhìn laze như kính mát hay dùng trong giao thông.** Kính nhìn laze không đủ khả năng bảo vệ hoàn toàn UV (tia cực tím) và làm giảm sự cảm nhận màu sắc.

Thao tác với Giá ba chân (phụ tùng) (xem hình E)

Giá đỡ 3 chân cung cấp khả năng đo ổn định và linh hoạt. Bạn hãy lắp máy đo lên đế xoay **12**. Đặt đế xoay với điểm nhận giá đỡ 3 chân 5/8" **9** lên ren của giá đỡ 3 chân **19** hoặc của một giá đỡ 3 chân thông thường. Vận chặt đế xoay bằng vít cố định của giá đỡ 3 chân.

Vận hành với Thước Bàng (phụ tùng) (xem hình F – G)

Khi sử dụng với thước bàng **18**, ta có thể chiếu tiêu điểm laze lên trên sàn nhà hay chiếu cao laze lên trên tường.

Với trường bằng không và với thước chia độ, ta có thể đo chỗ khuyết hay khoảng cách dọc ngược theo chiều cao yêu cầu hoặc chiếu vào một địa điểm khác. Cách thức này loại bỏ sự cần thiết phải điều chỉnh dụng cụ đo cho thật chính xác đối với chiều cao phải chiếu vào.

Thước bàng **18** được phủ chất liệu phản chiếu ở mặt ngoài để làm tăng mức độ nhìn thấy được luồng laze ở một khoảng cách rộng hoặc dưới ánh sáng chói chang của mặt trời. Sự gia tăng cường độ sáng chỉ có thể nhìn thấy được khi nhìn song song với luồng laze lên trên thước bàng.

Công việc theo Thí dụ (xem hình B–E)

Các ứng dụng mẫu cho dụng cụ đo có thể tra cứu trên các trang hình ảnh.

Bảo Dưỡng và Bảo Quản

Bảo Dưỡng Và Làm Sạch

Chỉ được cất giữ và vận chuyển dụng cụ đo trong túi xách bảo vệ được giao kèm.

Luôn luôn giữ cho dụng cụ đo thật sạch sẽ.

Không được nhúng dụng cụ đo vào trong nước hay các chất lỏng khác.

Lau sạch bụi bẩn bằng một mảnh vải mềm và ẩm. Không sử dụng bất cứ chất tẩy rửa hay dung môi nào.

Thường xuyên lau sạch bề mặt các cửa chiếu laze một cách kỹ lưỡng, và lưu ý đến các tưa vải hay sợi chỉ.

Trong trường hợp sửa chữa, xin gửi dụng cụ đo được bọc trong túi xách bảo vệ **20**.

Dịch Vụ Sau Khi Bán và Dịch Vụ Ứng Dụng

Bộ phận phục vụ hàng sau khi bán của chúng tôi sẽ trả lời các câu hỏi liên quan đến việc bảo trì và sửa chữa các sản phẩm cũng như các phụ tùng thay thế của bạn. Hình ảnh chi tiết và thông tin phụ tùng thay thế có thể tìm hiểu theo địa chỉ dưới đây:

www.bosch-pt.com

Bộ phận dịch vụ ứng dụng Bosch sẽ hân hạnh trả lời các câu hỏi liên quan đến các sản phẩm của chúng tôi và linh kiện của chúng.

Trong tất cả các phản hồi và đơn đặt phụ tùng, xin vui lòng luôn luôn nhập số hàng hóa 10 chữ số theo nhãn của hàng hóa.

Việt Nam

Công ty Trách Nhiệm Hữu Hạn Robert Bosch
Việt Nam, PT/SVN
Tầng 10, 194 Golden Building
473 Điện Biên Phủ
Phường 25, Quận Bình Thạnh
Thành Phố Hồ Chí Minh
Việt Nam
Tel.: (08) 6258 3690 Ext 413
Fax: (08) 6258 3692
hieu.lagia@vn.bosch.com
www.bosch-pt.com

Thải bỏ

Dụng cụ đo, phụ kiện và bao bì phải được phân loại để tái chế theo hướng thân thiện với môi trường.

Không được thải bỏ dụng cụ đo và pin/pin nạp điện lại được vào chung với rác sinh hoạt!

Được quyền thay đổi nội dung mà không phải thông báo trước.